



US00D527050S

(12) **United States Design Patent**  
**Hirota**

(10) **Patent No.:** **US D527,050 S**

(45) **Date of Patent:** **\*\* Aug. 22, 2006**

(54) **PEN**  
(75) **Inventor:** **Masuo Hirota**, Kitakasushika-gun (JP)  
(73) **Assignee:** **Wacom Co., Ltd.**, Saitama-ken (JP)  
(\*\*) **Term:** **14 Years**

5,717,435 A \* 2/1998 Fukushima et al. .... 345/179  
D403,705 S \* 1/1999 Izushima et al. .... D19/51  
D405,468 S \* 2/1999 Izushima ..... D19/51  
D415,197 S \* 10/1999 Izushima ..... D19/48  
D417,206 S \* 11/1999 Hirota ..... D14/411  
D444,498 S \* 7/2001 Izushima ..... D19/49  
D488,188 S \* 4/2004 Keda ..... D19/51

(21) **Appl. No.:** **29/222,108**  
(22) **Filed:** **Jan. 27, 2005**  
(30) **Foreign Application Priority Data**  
Jul. 29, 2004 (JP) ..... 2004-022691

\* cited by examiner

*Primary Examiner*—Elizabeth A. Albert  
(74) *Attorney, Agent, or Firm*—Berenato, White & Stavish, LLC

(51) **LOC (8) Cl.** ..... **19-06**  
(52) **U.S. Cl.** ..... **D19/51**  
(58) **Field of Classification Search** ..... D19/36,  
D19/37, 41–51, 54–57; 24/11 R, 11 HC,  
24/11 F, 11 P; 401/52, 99, 100, 104–109,  
401/192, 195; 345/179; D14/411  
See application file for complete search history.

(57) **CLAIM**

I claim, the ornamental design for a pen, as shown and described.

(56) **References Cited**  
**U.S. PATENT DOCUMENTS**  
D146,214 S \* 1/1947 Florman ..... D19/48  
D206,636 S \* 1/1967 Zierhut et al. .... D19/51  
4,963,048 A \* 10/1990 Thomas et al. .... 401/195

**DESCRIPTION**

FIG. 1 is a top plan view of a pen showing my new design;  
FIG. 2 is a bottom plan view;  
FIG. 3 is a right side elevational view;  
FIG. 4 is a left side elevational view;  
FIG. 5 is a front elevational view;  
FIG. 6 is a rear elevational view; and,  
FIG. 7 is a front perspective view.

**1 Claim, 2 Drawing Sheets**

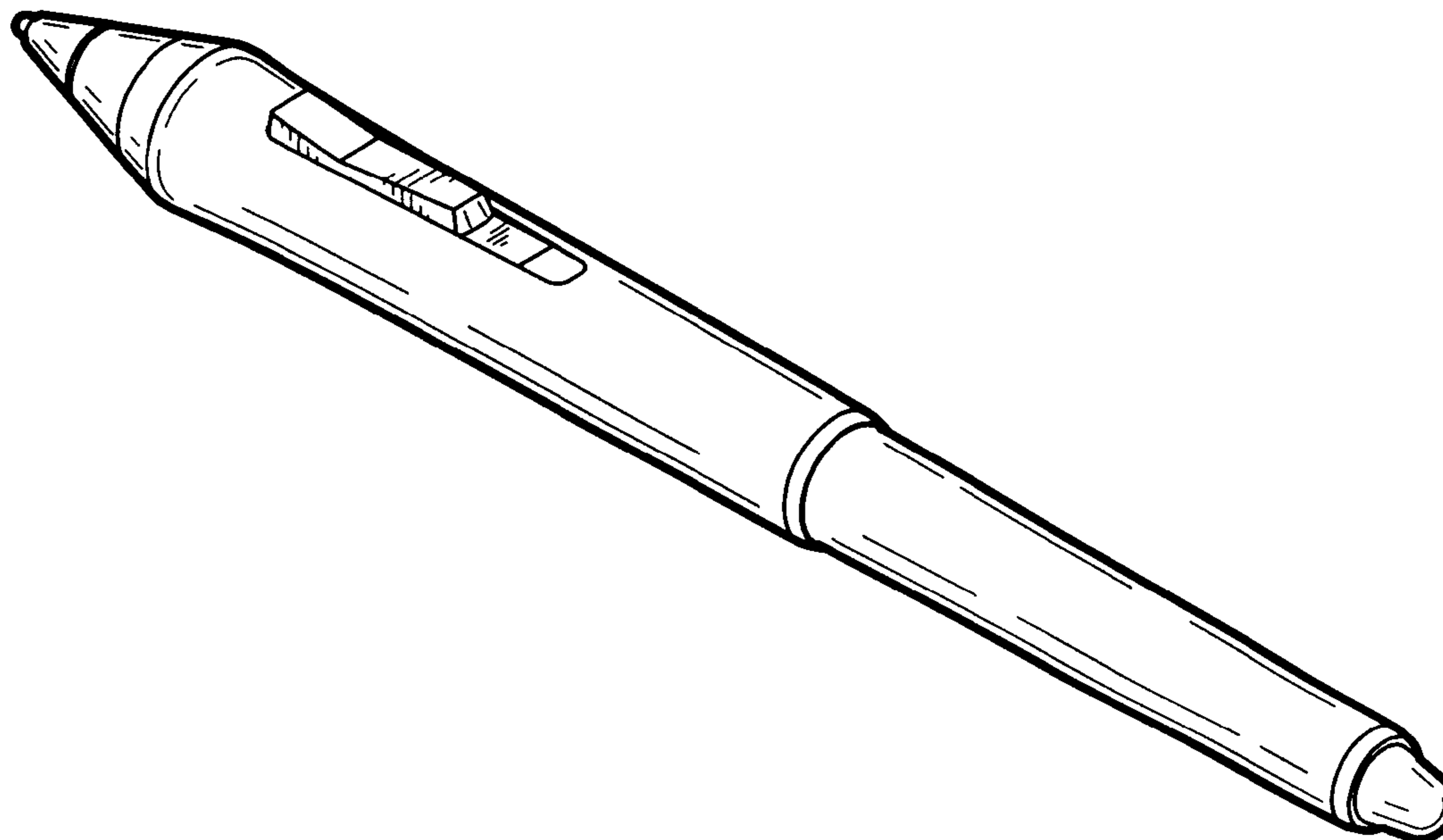


Fig. 1

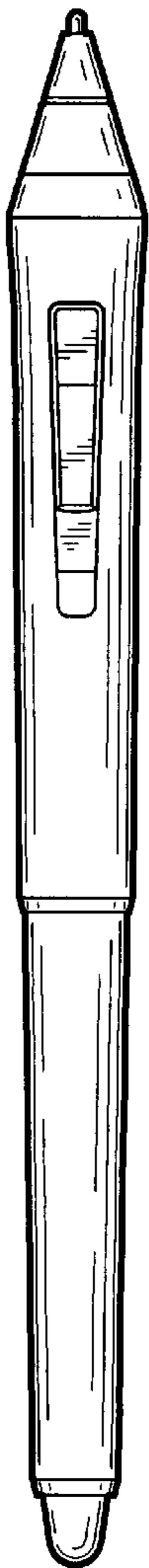


Fig. 2

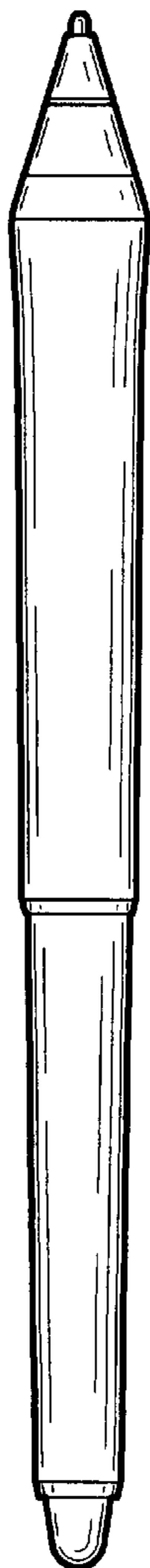


Fig. 3

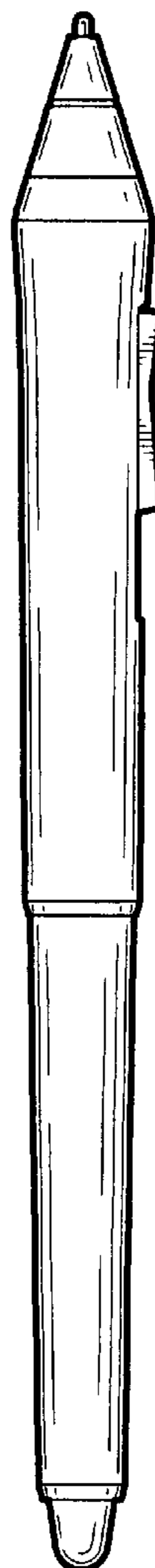


Fig. 4



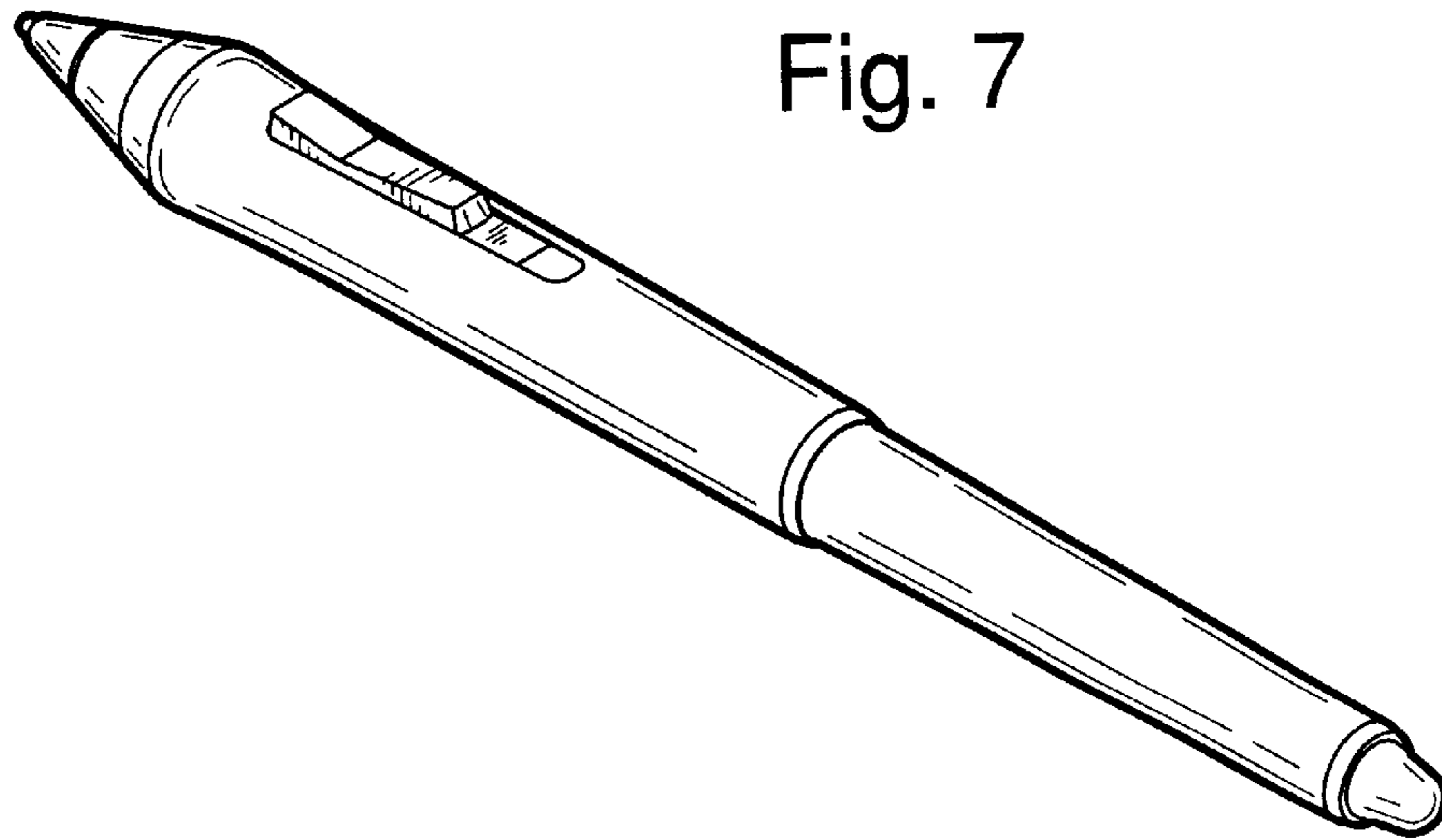
Fig. 5



Fig. 6



Fig. 7



UNITED STATES PATENT AND TRADEMARK OFFICE  
**CERTIFICATE OF CORRECTION**

PATENT NO. : D527,050 S  
APPLICATION NO. : 29/222108  
DATED : August 22, 2006  
INVENTOR(S) : A. Hackenberg et al.

Page 1 of 1

It is certified that error appears in the above-identified patent and that said Letters Patent is hereby corrected as shown below:

<u>On the Title Page</u>	<u>LINE</u>	<u>ERROR</u>
Item (75)	Inventor	“Masuo Hirota, Kitakasushika-gun (JP)” should read --Alf Hackenberg, Muenchen (DE); Martin Langkau, Lueneburg (DE)--

Signed and Sealed this  
Fifth Day of July, 2011



David J. Kappos  
*Director of the United States Patent and Trademark Office*