



US00D527047S

(12) **United States Design Patent**
Wakayama et al.

(10) **Patent No.:** **US D527,047 S**

(45) **Date of Patent:** **** Aug. 22, 2006**

(54) **INK CARTRIDGE**

6,880,923 B1 * 4/2005 Lee et al. 347/86

(75) Inventors: **Takahiro Wakayama**, Ibaraki-ken (JP);
Takashi Miyazawa, Hachioji (JP);
Masashi Matsuda, Hachioji (JP)

* cited by examiner

(73) Assignees: **ISO Kagaku Corporation**, Tokyo (JP);
Olympus Corporation, Tokyo (JP)

Primary Examiner—Cathy Anne MacCormac
(74) *Attorney, Agent, or Firm*—Frommer Lawrence &
Haug LLP; Matthew K. Ryan, Esq.

(**) Term: **14 Years**

(57) **CLAIM**

(21) Appl. No.: **29/203,113**

The ornamental design for an ink cartridge, substantially as shown and described.

(22) Filed: **Apr. 9, 2004**

DESCRIPTION

(30) **Foreign Application Priority Data**

Oct. 10, 2003 (JP) 2003-030032

(51) **LOC (8) Cl.** **18-02**

(52) **U.S. Cl.** **D18/56; 347/86**

(58) **Field of Classification Search** D18/40,
D18/43, 56; 347/86, 87

See application file for complete search history.

FIG. 1 is a perspective view of an ink cartridge showing our new design;

FIG. 2 is a front view thereof, the rear is a mirror image;

FIG. 3 is a top view thereof;

FIG. 4 is a left side view thereof;

FIG. 5 is a right side view thereof; and,

FIG. 6 is a bottom view thereof.

The broken lines are for illustration only and form no part of the claimed design.

(56) **References Cited**

U.S. PATENT DOCUMENTS

D472,919 S * 4/2003 Shimizu et al. D18/56

1 Claim, 6 Drawing Sheets

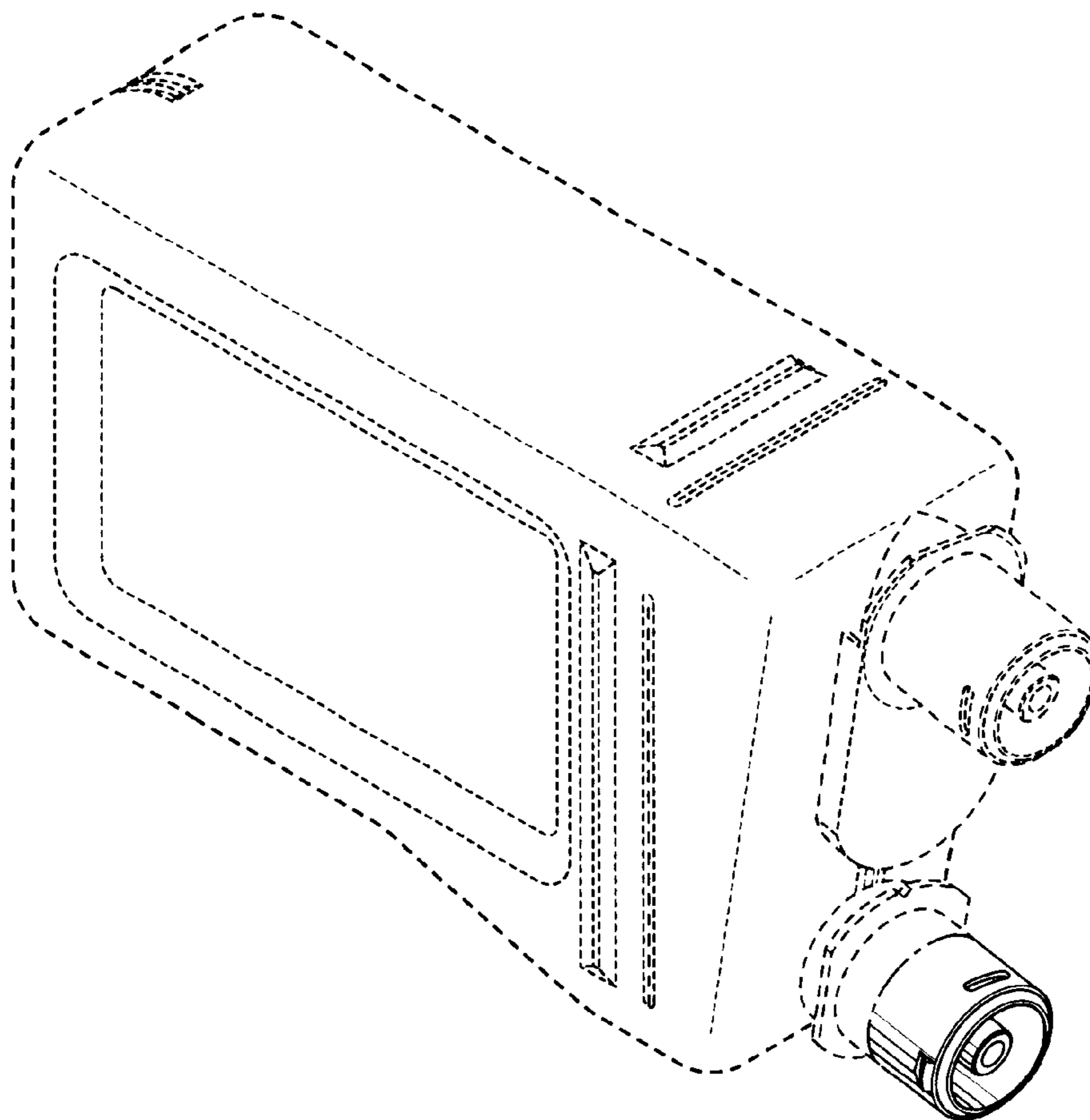


FIG.1

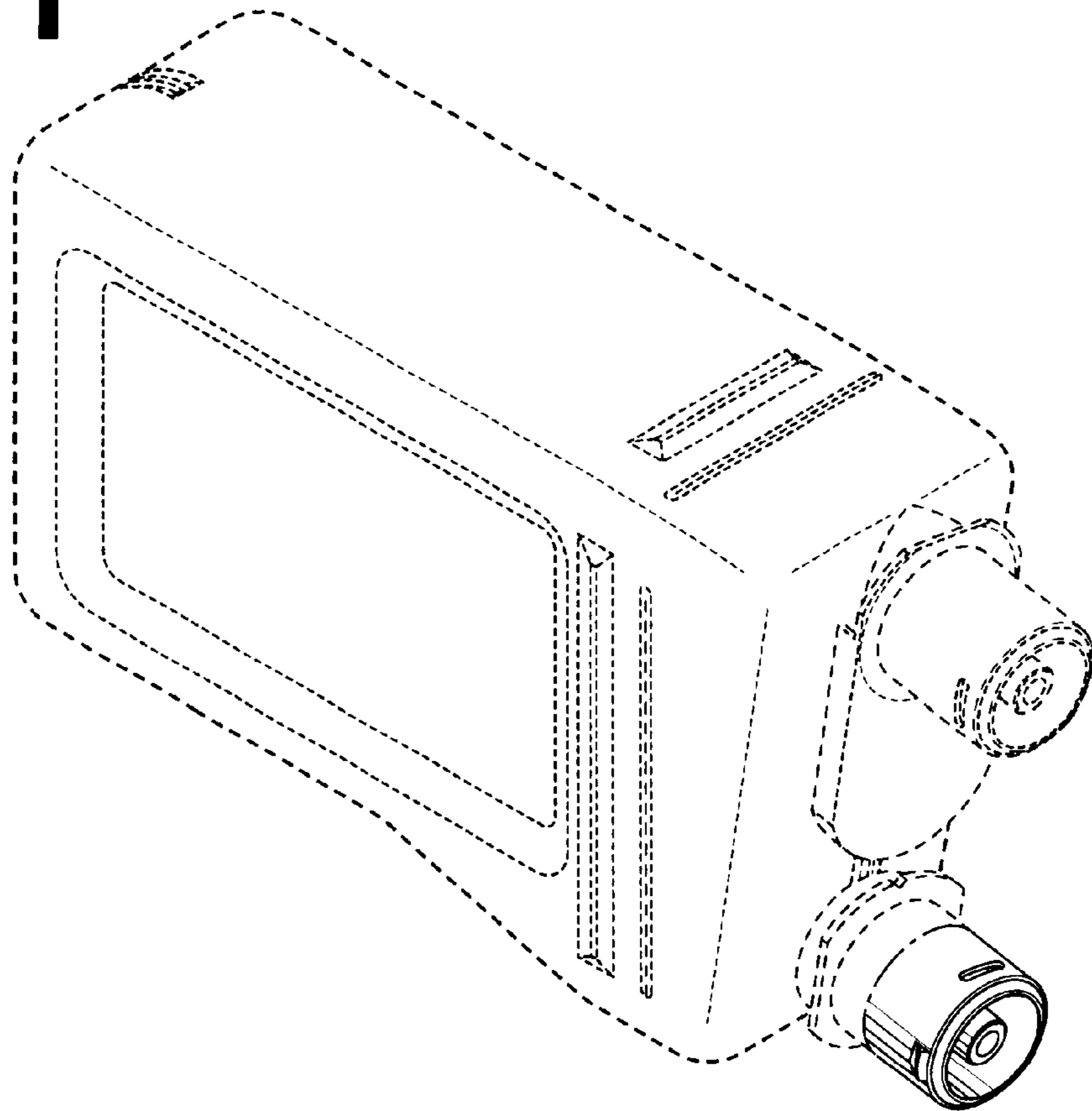


FIG.2

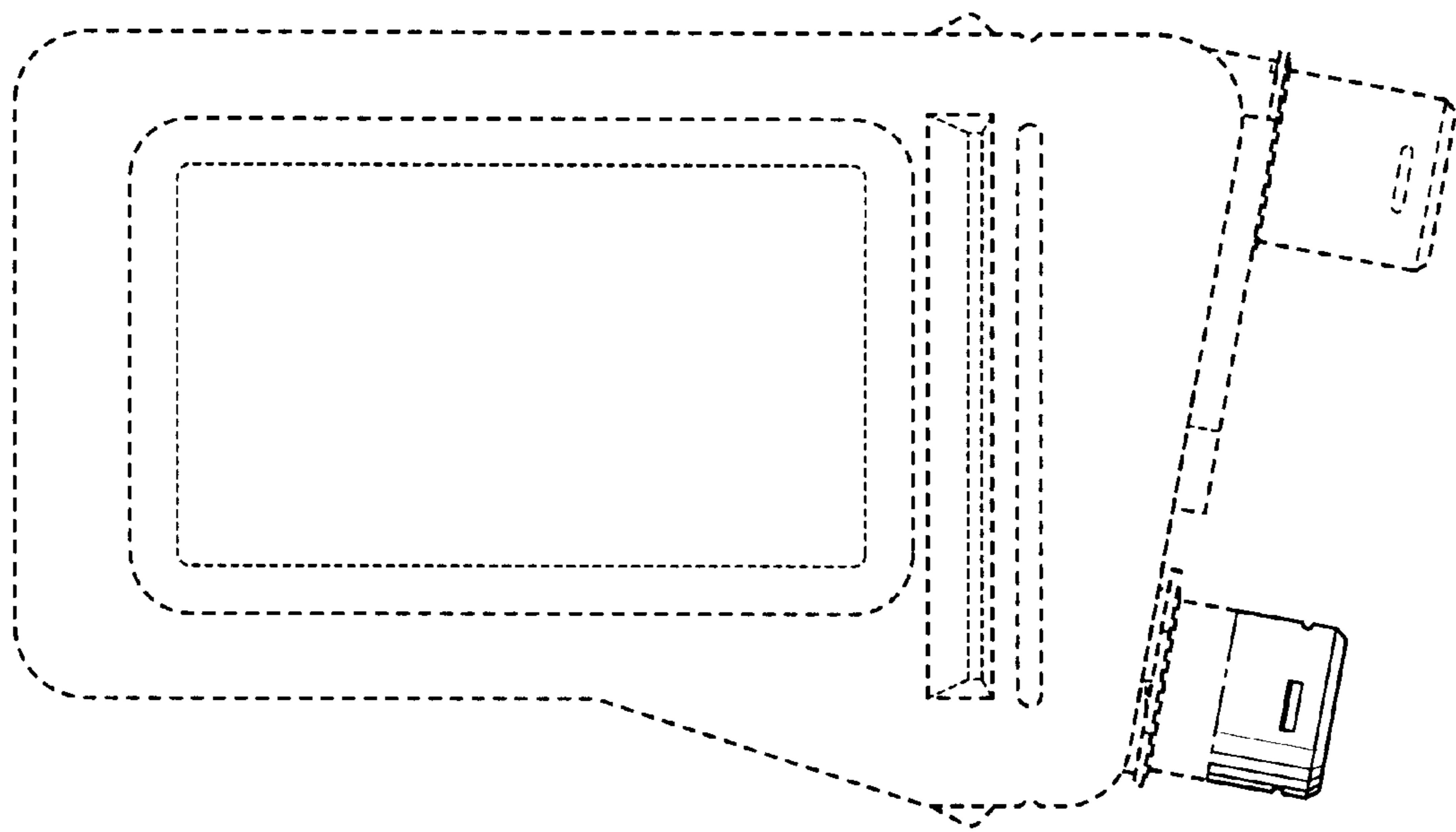


FIG.3

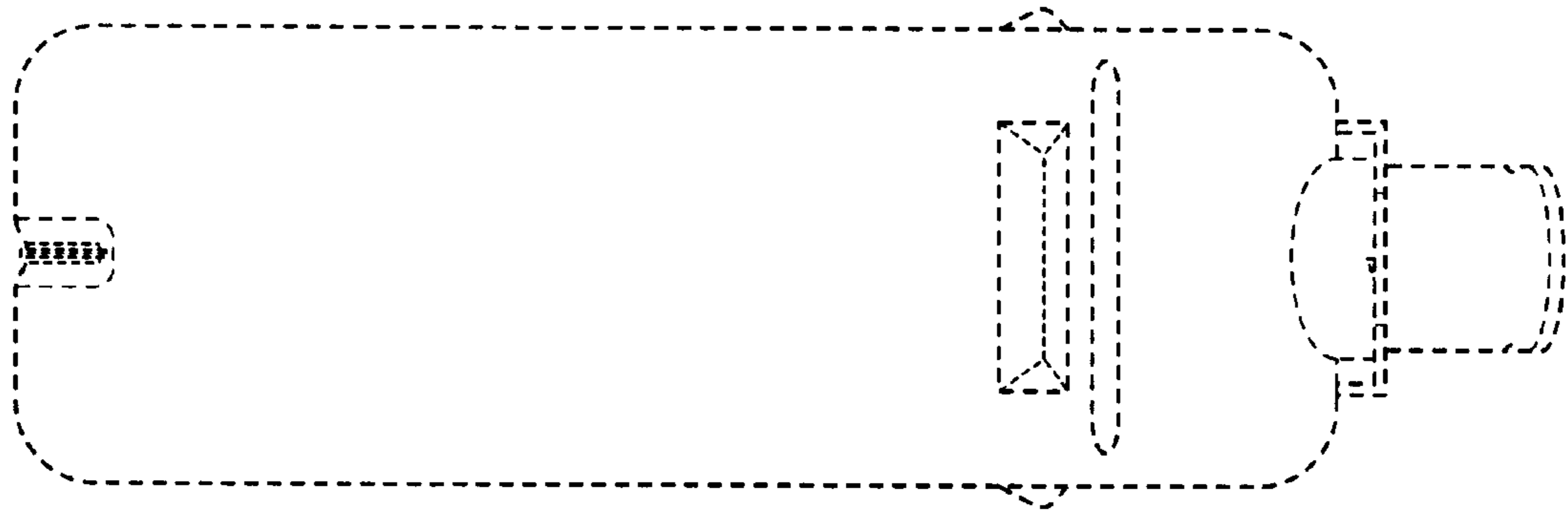


FIG.4

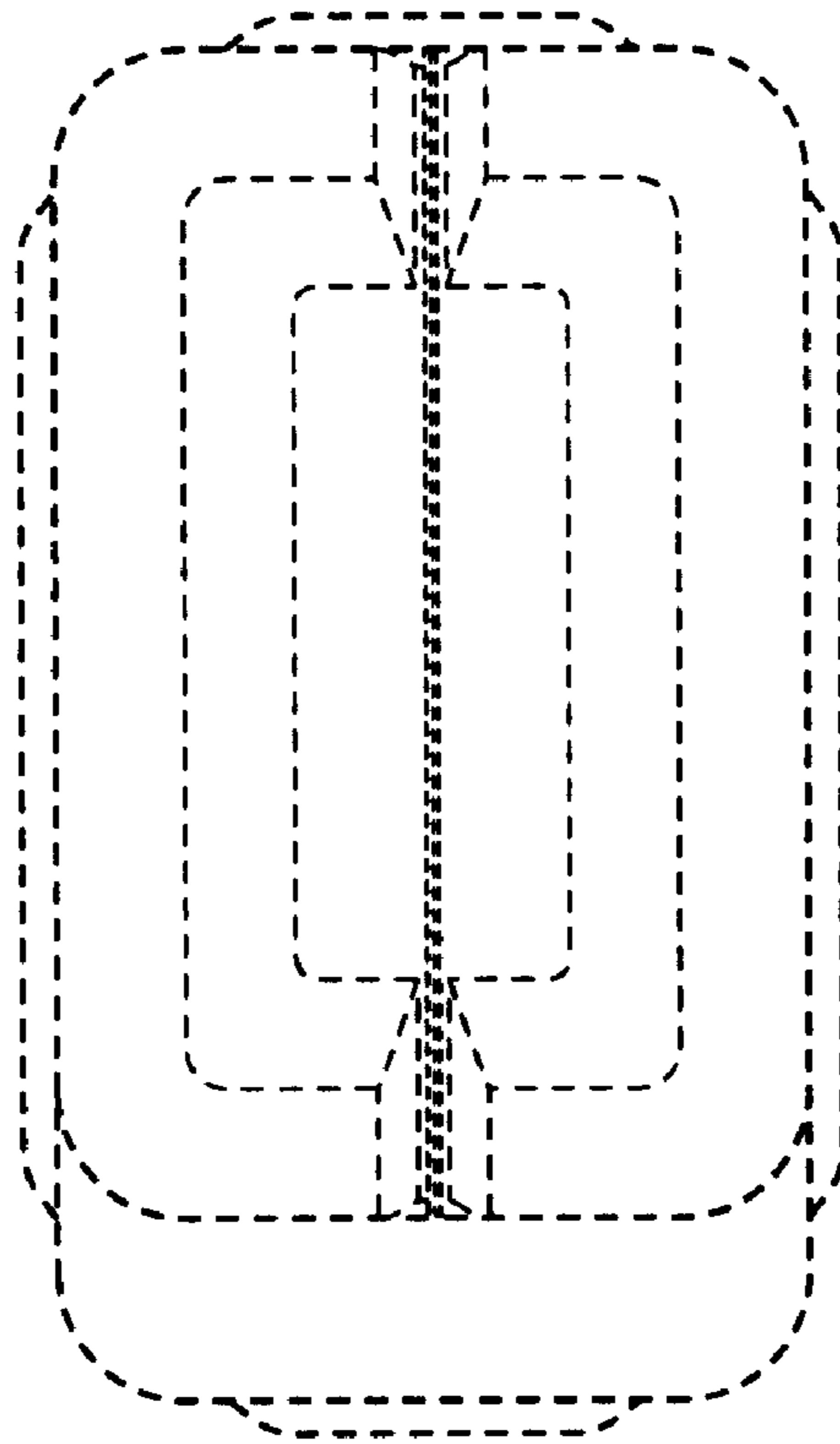


FIG.5

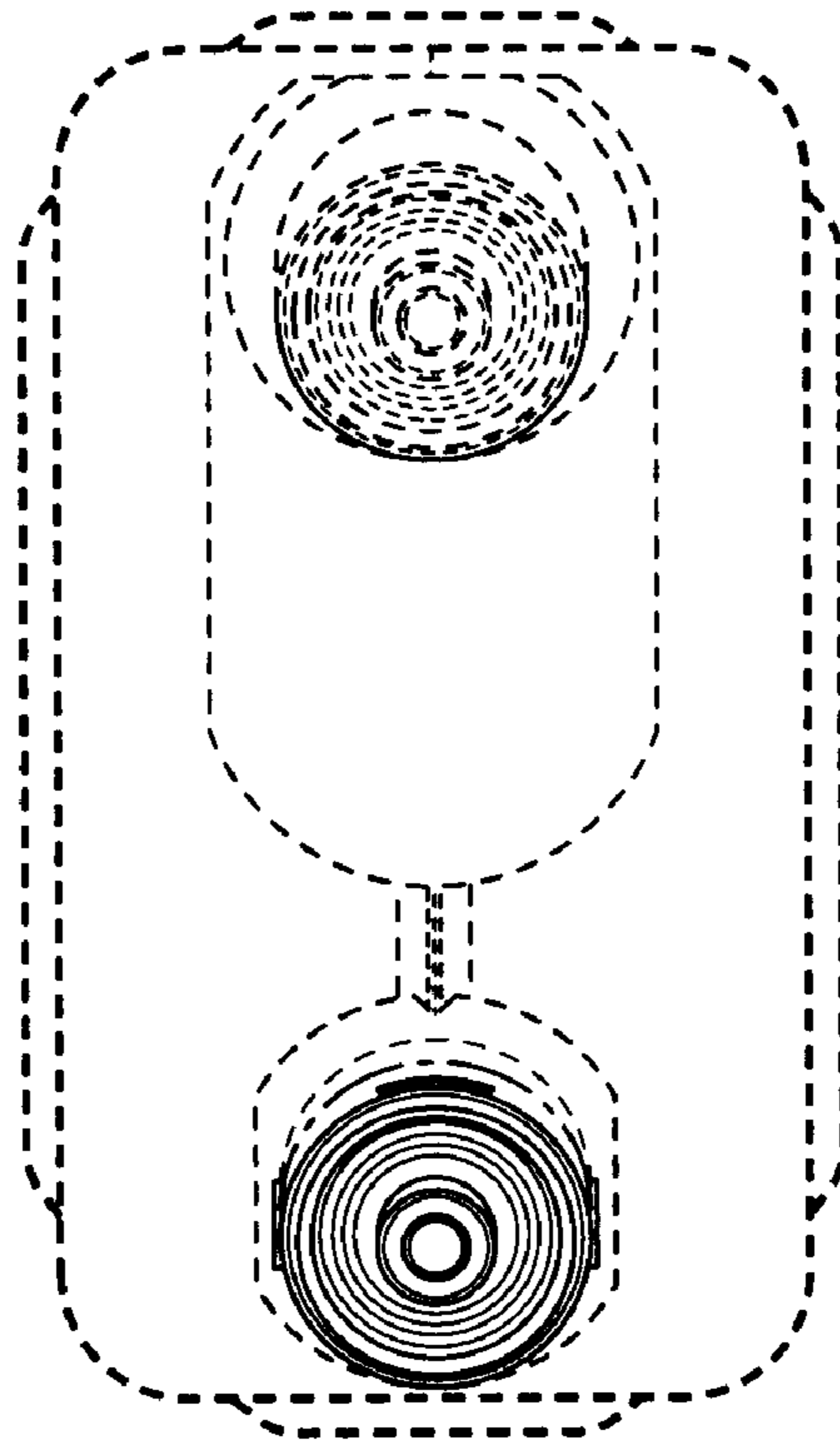
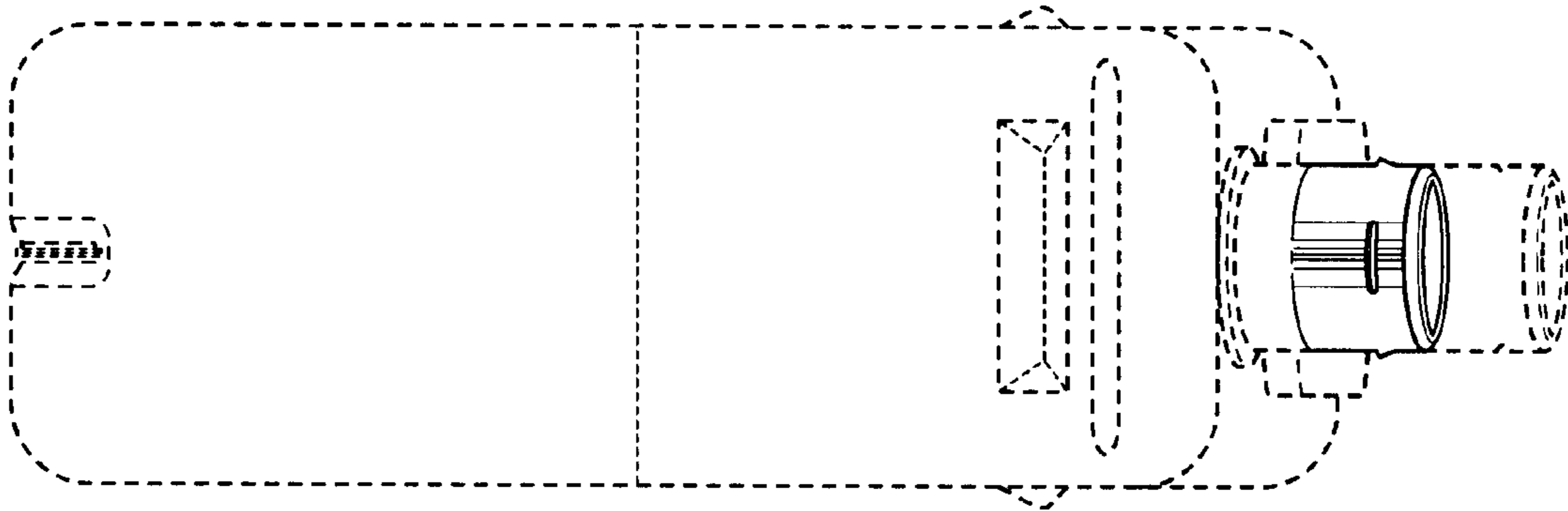


FIG.6



UNITED STATES PATENT AND TRADEMARK OFFICE
CERTIFICATE OF CORRECTION

PATENT NO. : Des. 527,047 S
APPLICATION NO. : 29/203113
DATED : August 22, 2006
INVENTOR(S) : Takahiro Wakayama, Takashi Miyazawa and Masashi Matsuda

Page 1 of 1

It is certified that error appears in the above-identified patent and that said Letters Patent is hereby corrected as shown below:

On Title Page,

Under (73) Assignee:

change "ISO Kagaku Corporation" to --RISO Kagaku Corporation--

Signed and Sealed this

Twenty-first Day of November, 2006

A handwritten signature in black ink on a dotted background. The signature reads "Jon W. Dudas" in a cursive style.

JON W. DUDAS

Director of the United States Patent and Trademark Office