



US00D527046S

(12) **United States Design Patent** (10) **Patent No.:** **US D527,046 S**
Friedrich et al. (45) **Date of Patent:** **** Aug. 22, 2006**

(54) **LETTER SEALER**

(75) Inventors: **Lutz Friedrich**, Birkenwerder (DE);
Hans-Peter Constin, Berlin (DE)

(73) Assignee: **Francotyp-Postalia GmbH**,
Birkenwerder (DE)

(**) Term: **14 Years**

(21) Appl. No.: **29/219,007**

(22) Filed: **Dec. 10, 2004**

(30) **Foreign Application Priority Data**

Jul. 6, 2004 (EM) 000199468

(51) **LOC (8) Cl.** **18-02**

(52) **U.S. Cl.** **D18/51**

(58) **Field of Classification Search** D18/50,
D18/51, 53, 55, 99; D15/199, 145-6; 101/2,
101/5, 47, 49, 52, 53, 71; 235/375; 346/9-11,
346/112; 705/401, 407, 408; 156/441.5, 442,
156/442.1-442.4; 270/58.06; D10/8.91
See application file for complete search history.

(56) **References Cited**

U.S. PATENT DOCUMENTS

4,850,580 A * 7/1989 Denzin et al. 156/441.5
D364,414 S * 11/1995 Yashimoto D15/145
D375,966 S * 11/1996 Bradshaw D15/146
D404,422 S * 1/1999 Beckstrom et al. D18/51
D443,890 S * 6/2001 Sato et al. D18/50
D455,777 S * 4/2002 Beckstrom et al. D15/145

6,406,591 B1 * 6/2002 Beckstrom et al. 156/441.5
D501,025 S * 1/2005 Sugrue et al. D18/99
D502,733 S * 3/2005 Miyauchi et al. D18/50
6,860,955 B1 * 3/2005 Chapman 156/217
2003/0111165 A1 * 6/2003 Allen et al. 156/441.5
2003/0136337 A1 * 7/2003 Gregoire et al. 156/441.5

FOREIGN PATENT DOCUMENTS

GB 2063479 * 5/1997
GB 3006952 * 11/2002

* cited by examiner

Primary Examiner—Charles A. Rademaker

(74) *Attorney, Agent, or Firm*—Laurence A. Greenberg;
Werner H. Stemer; Ralph E. Locher

(57) **CLAIM**

The ornamental design for a letter sealer, as shown and described.

DESCRIPTION

FIG. 1 is a front view of the letter sealer showing our new design;

FIG. 2 is a left side view thereof;

FIG. 3 is a right side front top perspective view thereof;

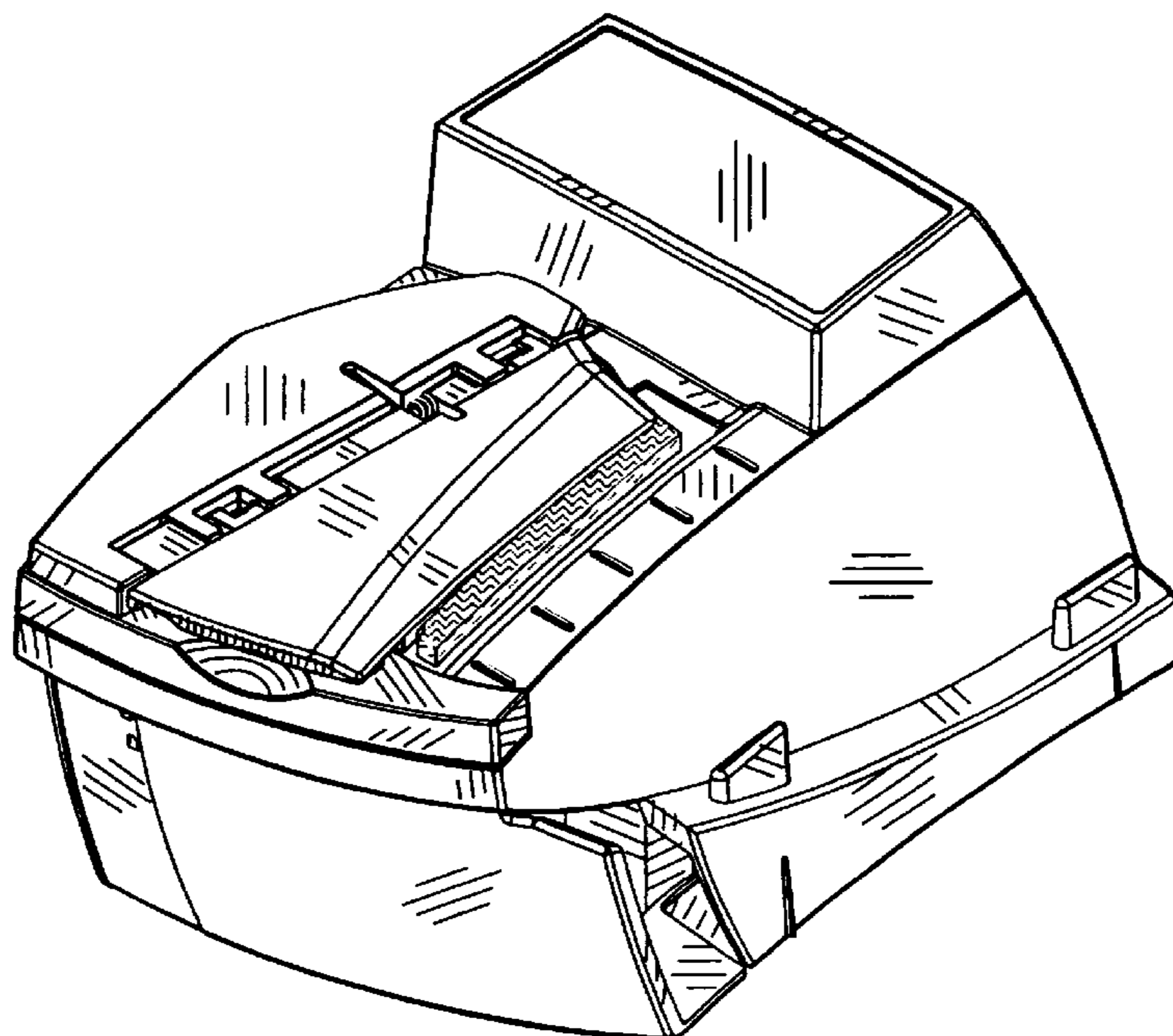
FIG. 4 is a right side view thereof;

FIG. 5 is a rear view thereof; and,

FIG. 6 is a top plan view thereof.

The broken line showing of environment in the drawing is for illustrative purposes only and forms no part of the claimed design.

1 Claim, 4 Drawing Sheets



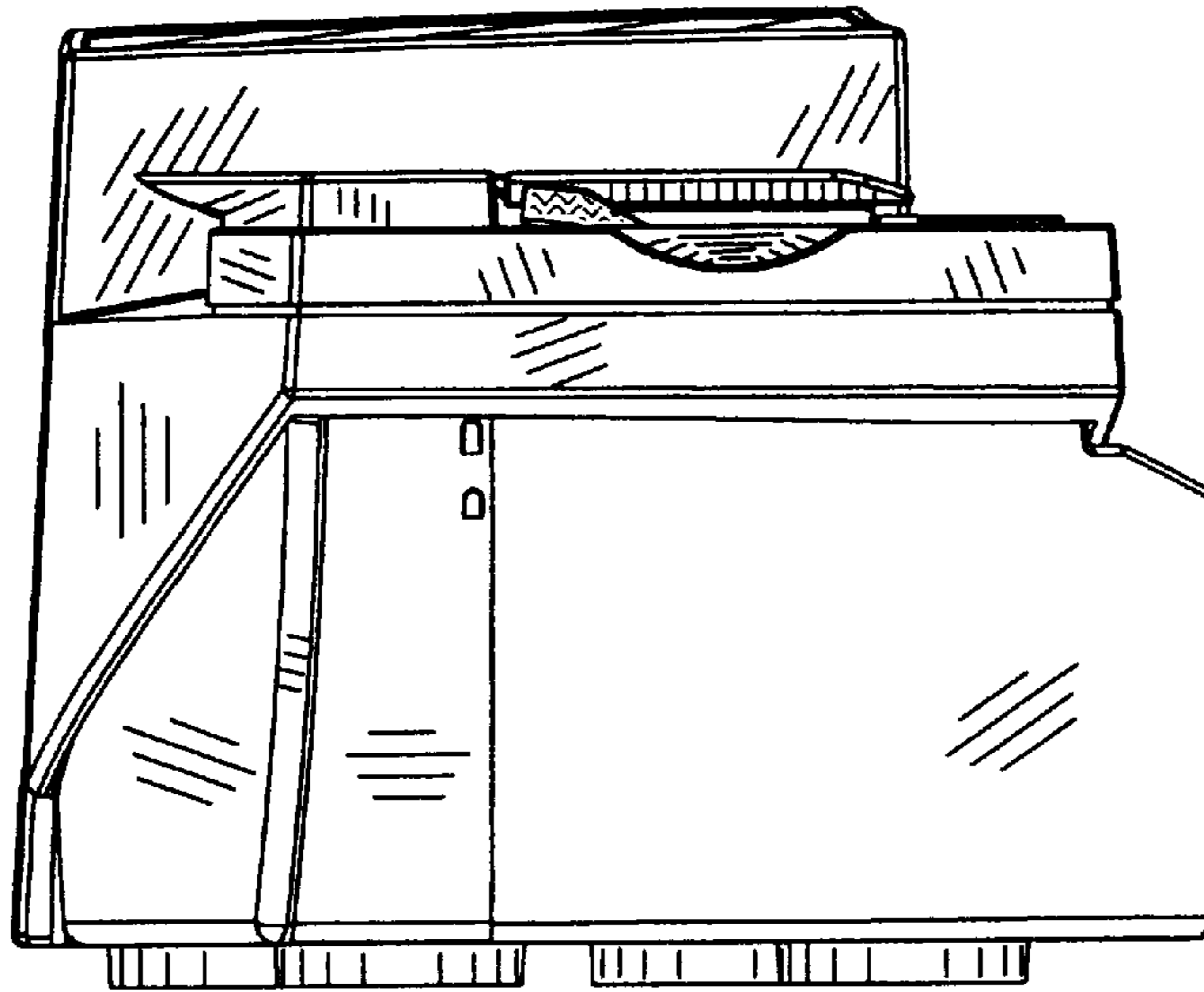


FIG. 1

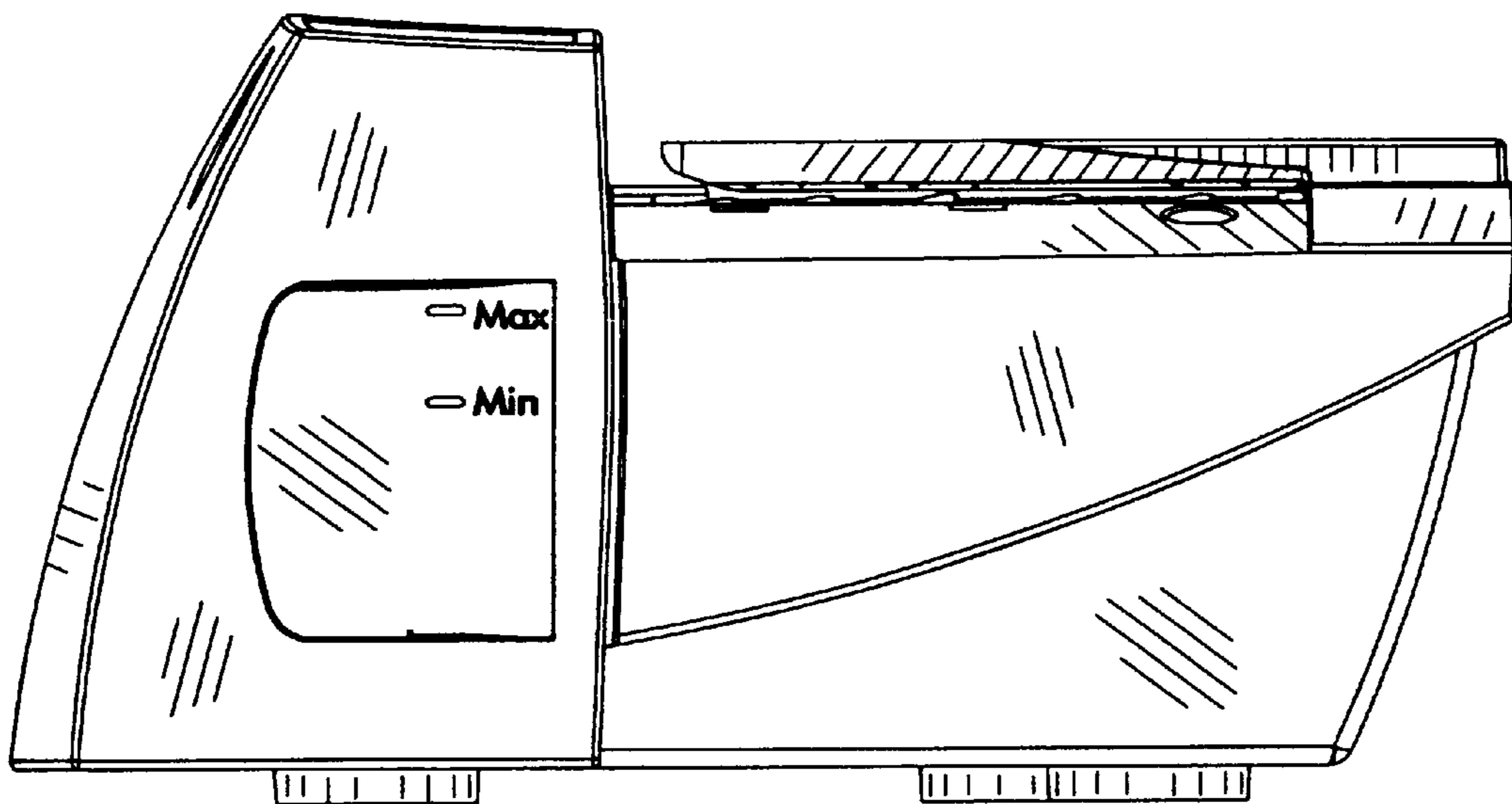


FIG. 2

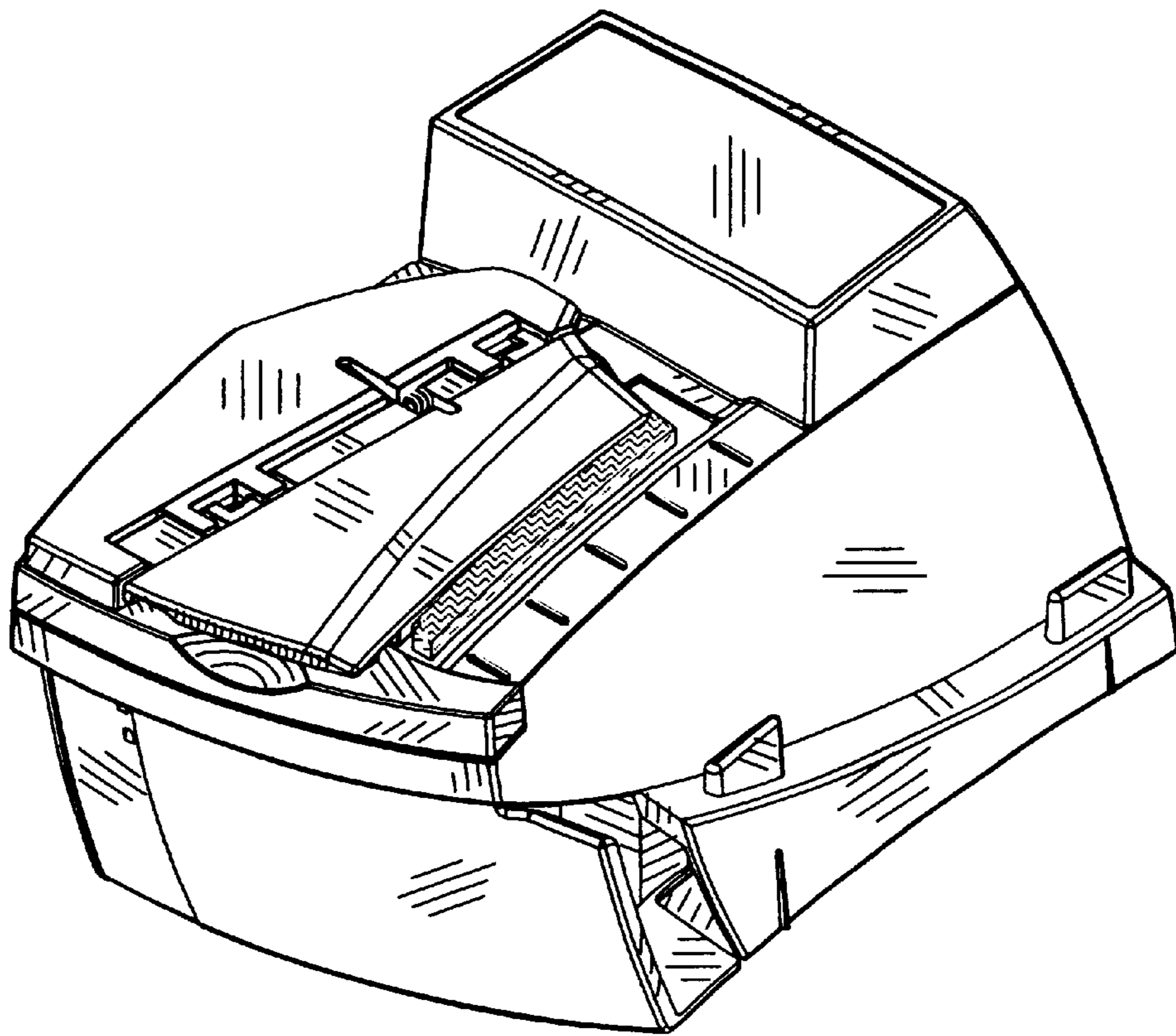


FIG. 3

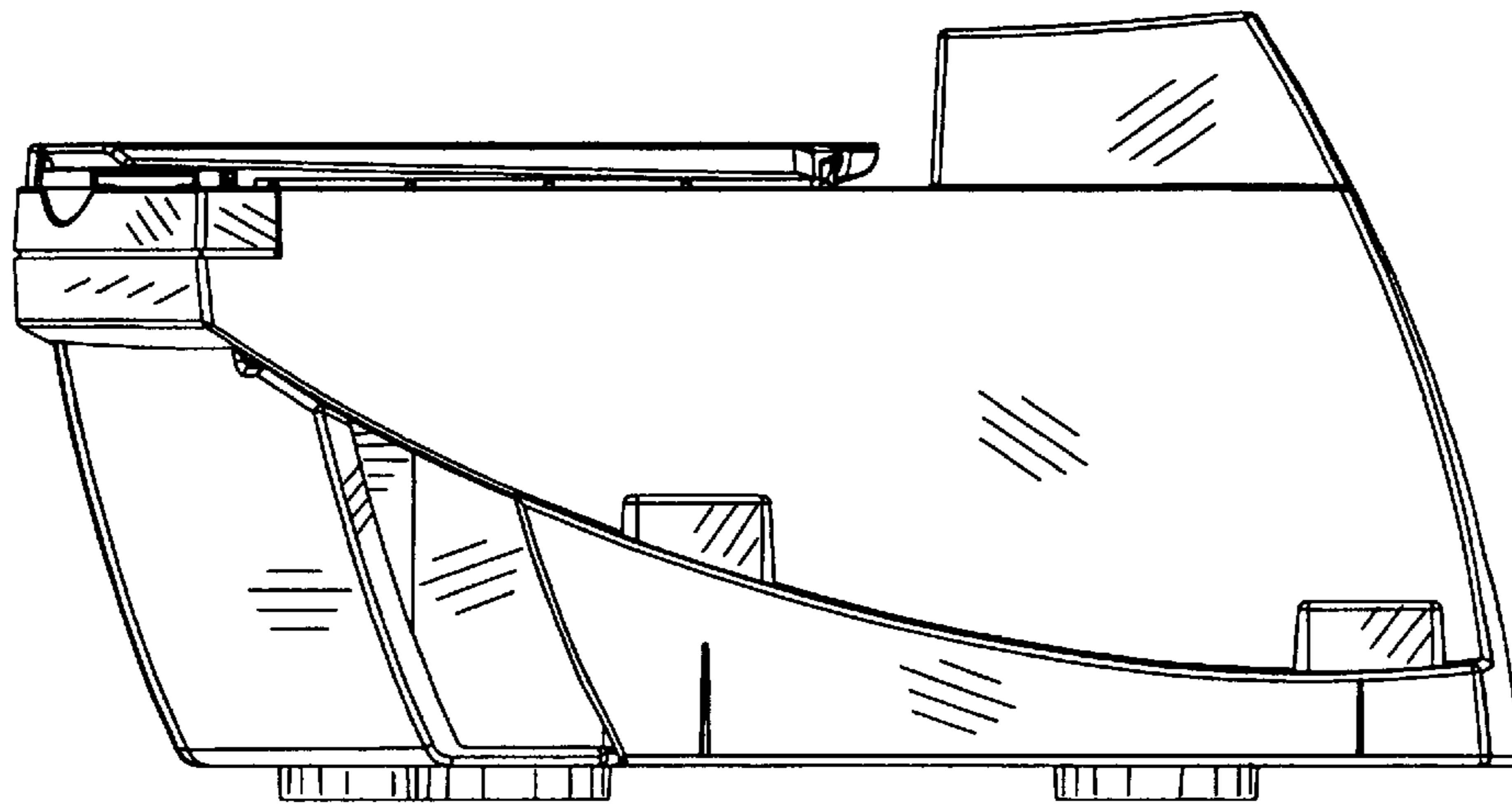


FIG. 4

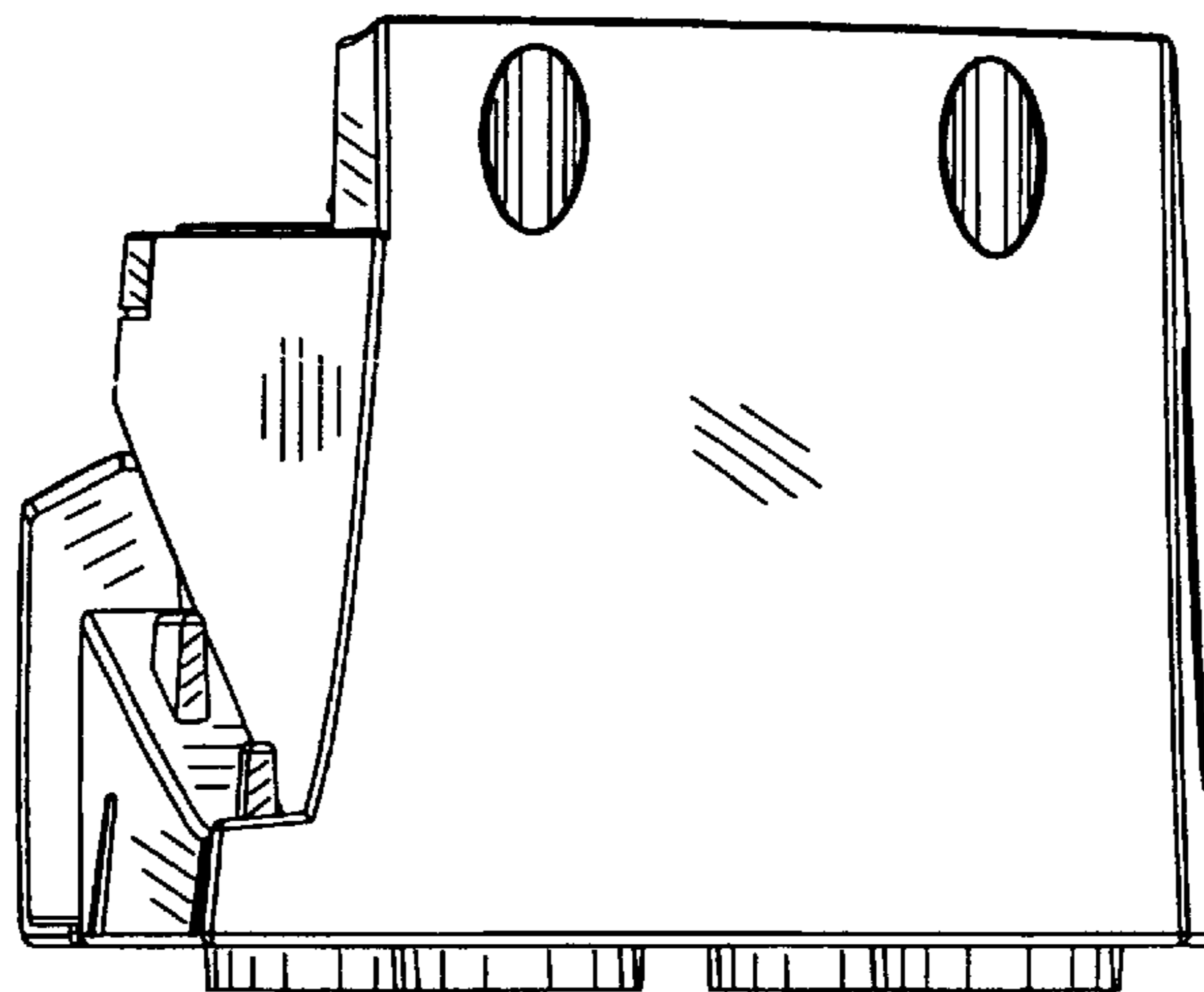


FIG. 5

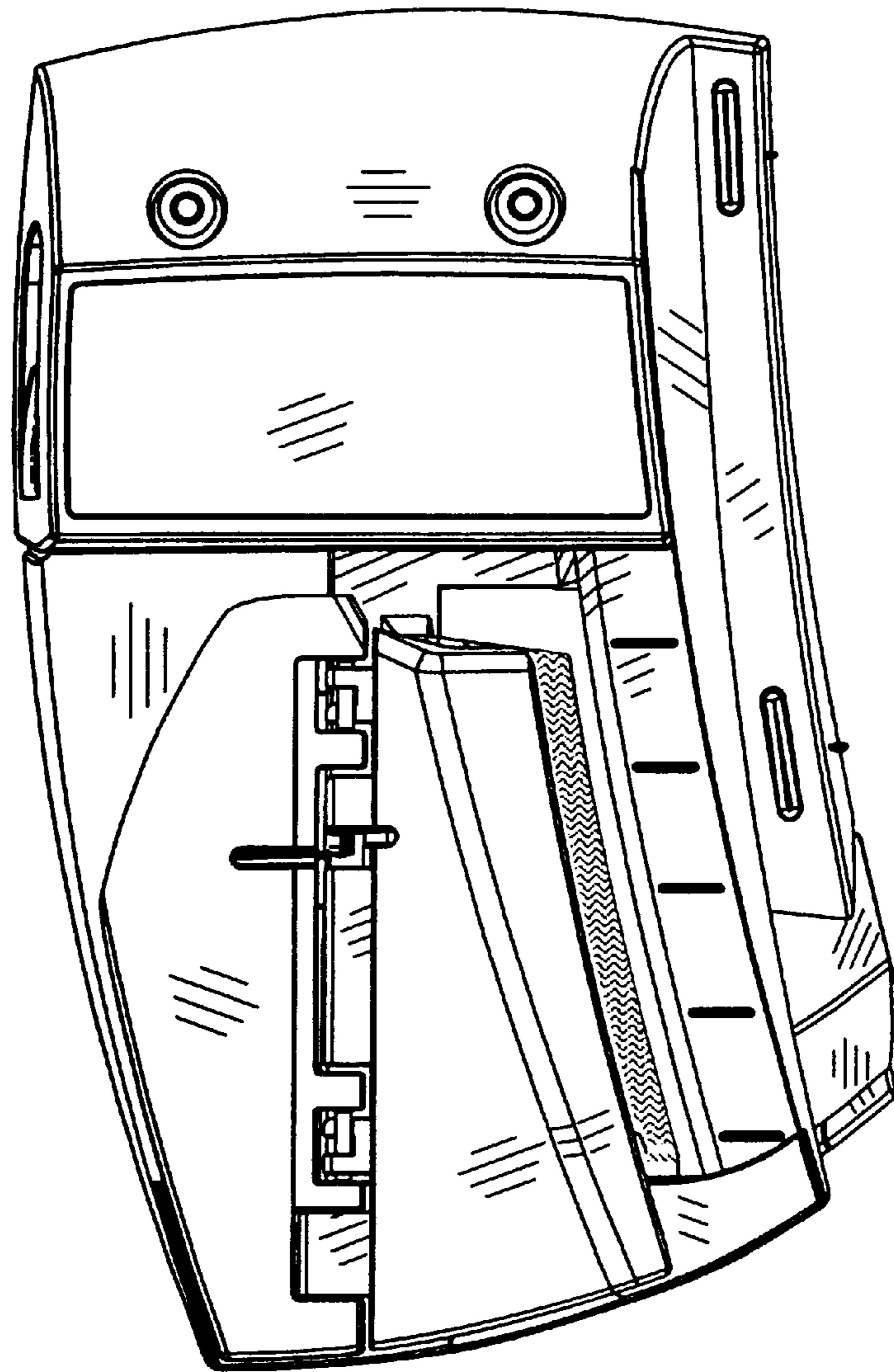


FIG. 6