



US00D527044S

(12) **United States Design Patent**
Harden et al.

(10) **Patent No.:** **US D527,044 S**

(45) **Date of Patent:** **** Aug. 22, 2006**

(54) **PRINTER HOUSING**

(75) Inventors: **Daniel Harden**, Palo Alto, CA (US);
Hiroto Teranishi, Palo Alto, CA (US); **Ari Turgel**, San Jose, CA (US);
David Samuel Benavidez, Portland, OR (US); **Greg Cerny**, Palo Alto, CA (US)

(73) Assignee: **ZIH Corporation**, Hamilton (BM)

(**) Term: **14 Years**

(21) Appl. No.: **29/224,487**

(22) Filed: **Mar. 2, 2005**

(51) **LOC (8) Cl.** **14-02**

(52) **U.S. Cl.** **D18/50**

(58) **Field of Classification Search** D18/14,
D18/19, 36-39, 50, 54, 54.1, 55; D14/420-425,
D14/462-470; D16/237, 247-248; 400/613,
400/613.1-613.4, 690.1-690.4, 691-694;
399/109

See application file for complete search history.

(56) **References Cited**

U.S. PATENT DOCUMENTS

D374,452 S * 10/1996 Sato D18/54.1
D379,195 S * 5/1997 Stanton D18/50
D391,286 S * 2/1998 Mizusugi D18/54.1
6,234,696 B1 * 5/2001 Whittaker 400/613
D443,890 S * 6/2001 Sato et al. D18/50

D487,479 S * 3/2004 Paulson et al. D18/50
D491,217 S * 6/2004 Miyachi et al. D18/50
6,808,327 B1 * 10/2004 Iwata 400/693

OTHER PUBLICATIONS

U.S. Appl. No. 10/690,395, filed Oct. 20, 2003; In re:
Lodwig et al.; entitled *Substrate Cleaning Apparatus and Method*.

* cited by examiner

Primary Examiner—Cathy Anne MacCormac

(74) *Attorney, Agent, or Firm*—Alston & Bird LLP

(57) **CLAIM**

The ornamental design for a printer housing, as shown and described.

DESCRIPTION

FIG. 1 is a perspective view of a printer housing showing our new design;

FIG. 2 is a left side elevation view thereof, the right side elevation view being a mirror image thereof;

FIG. 3 is a top plan view thereof;

FIG. 4 is a front elevation view thereof;

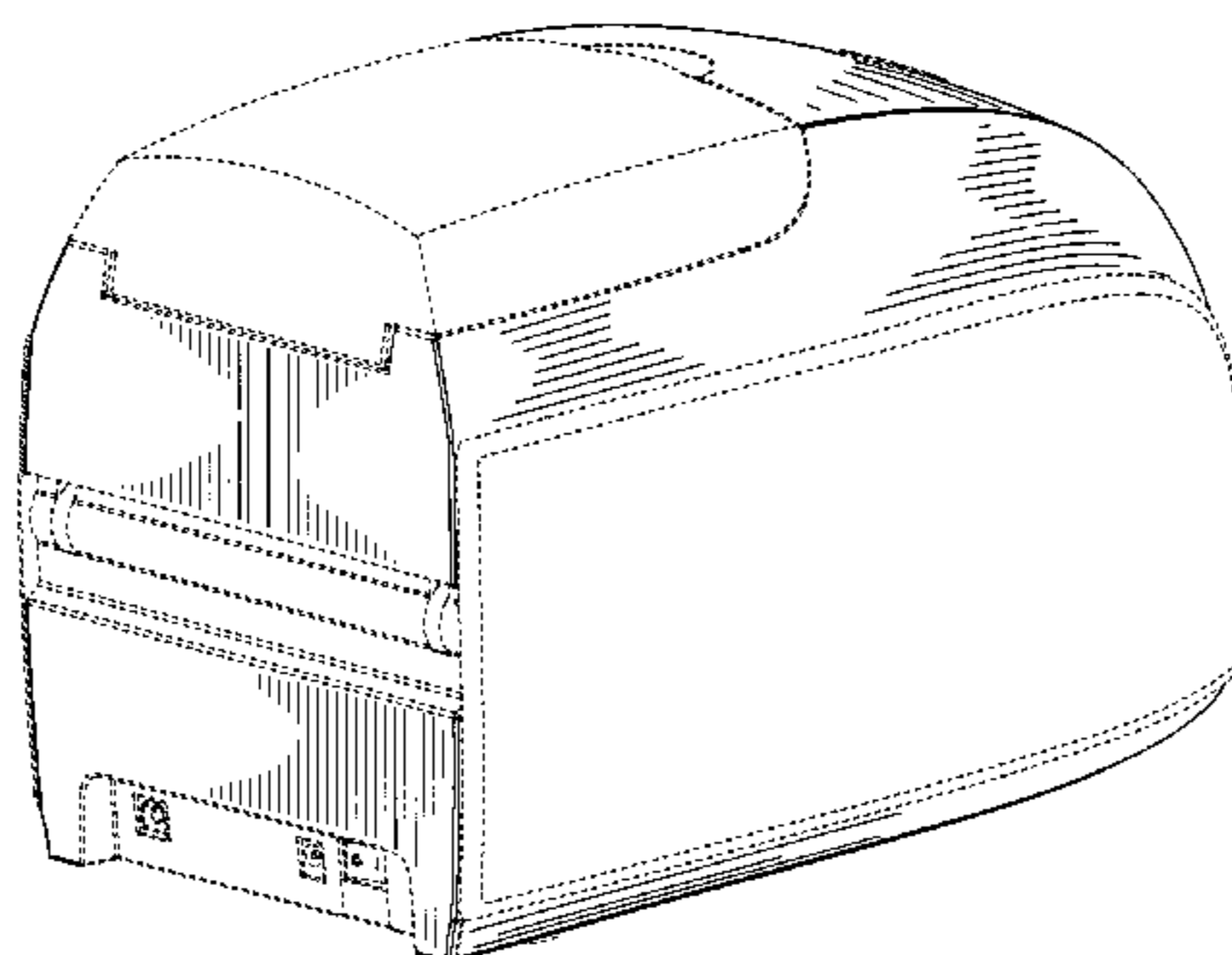
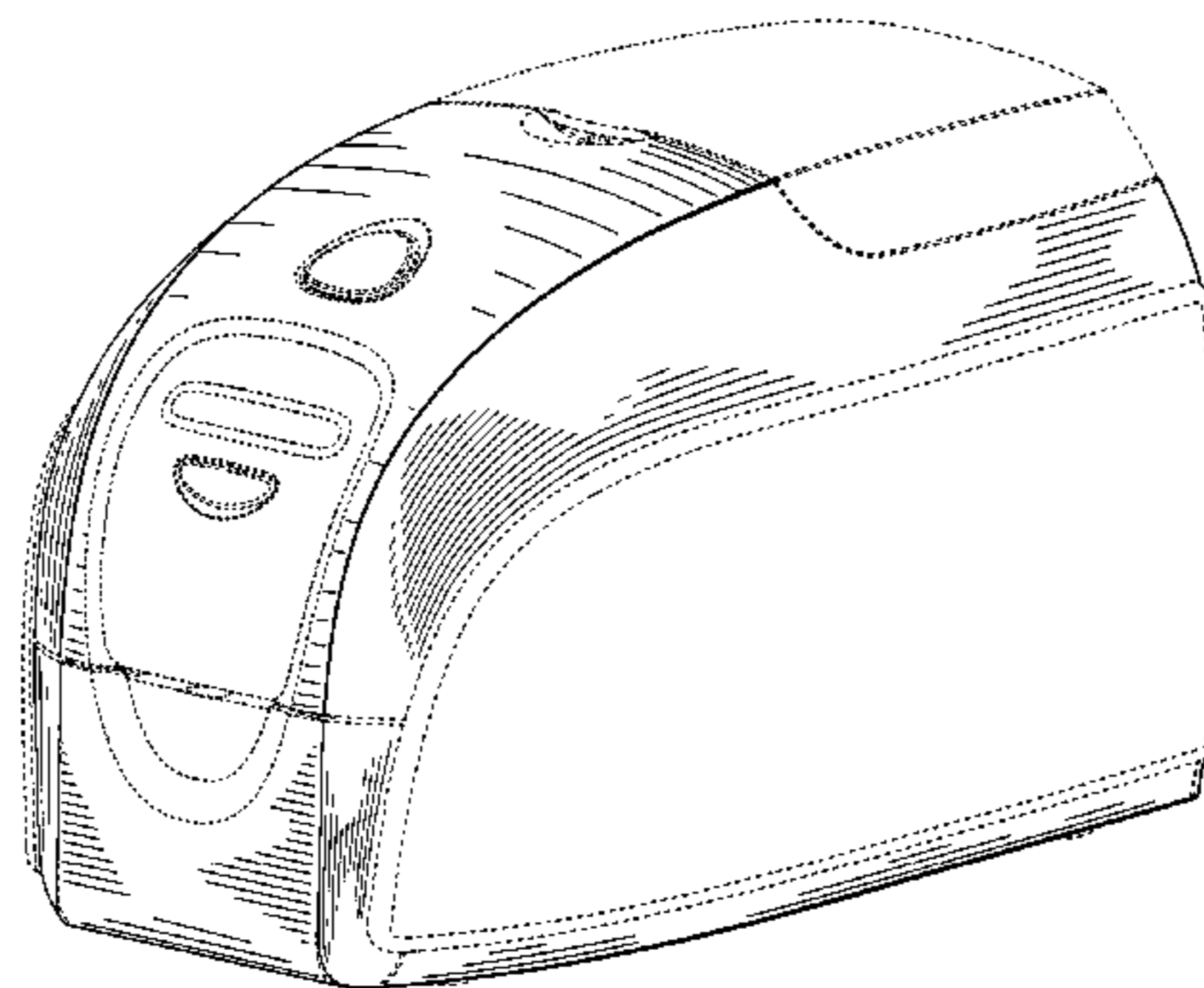
FIG. 5 is a rear elevation view thereof;

FIG. 6 is a bottom plan view thereof; and,

FIG. 7 is another perspective view thereof.

The broken lines shown herein are for illustrative purposes only and form no part of the claimed design.

1 Claim, 7 Drawing Sheets



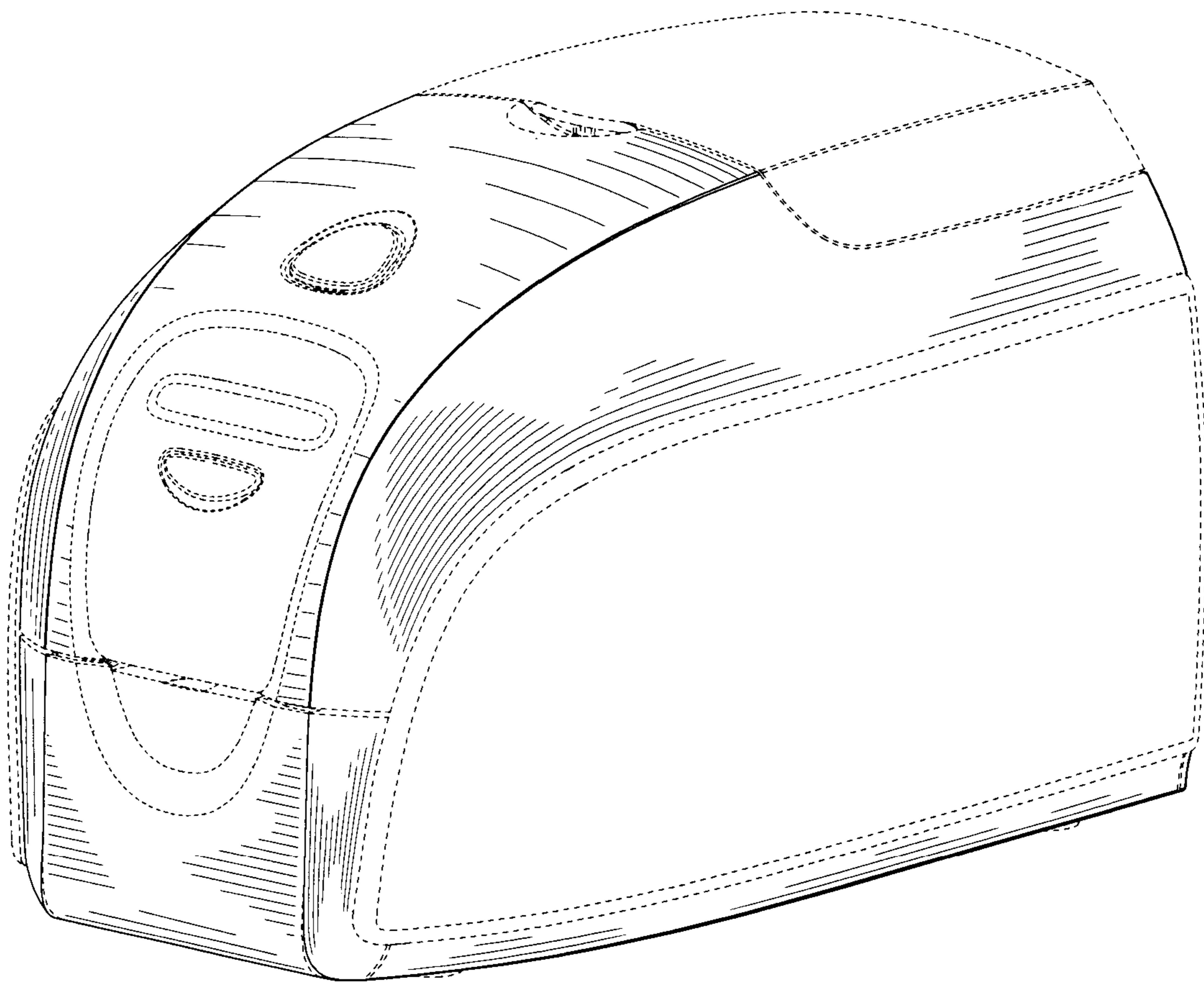


FIG. 1

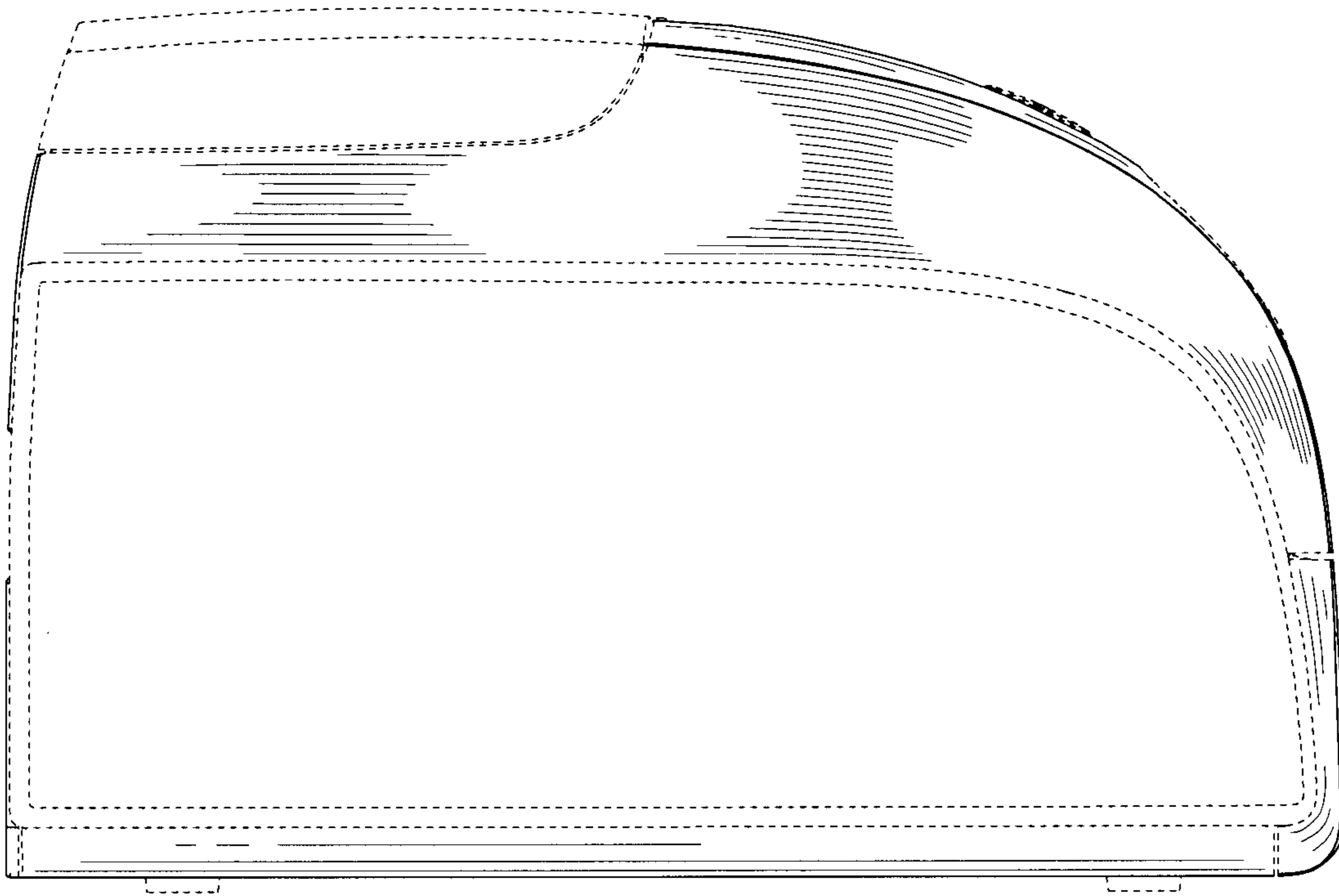


FIG. 2

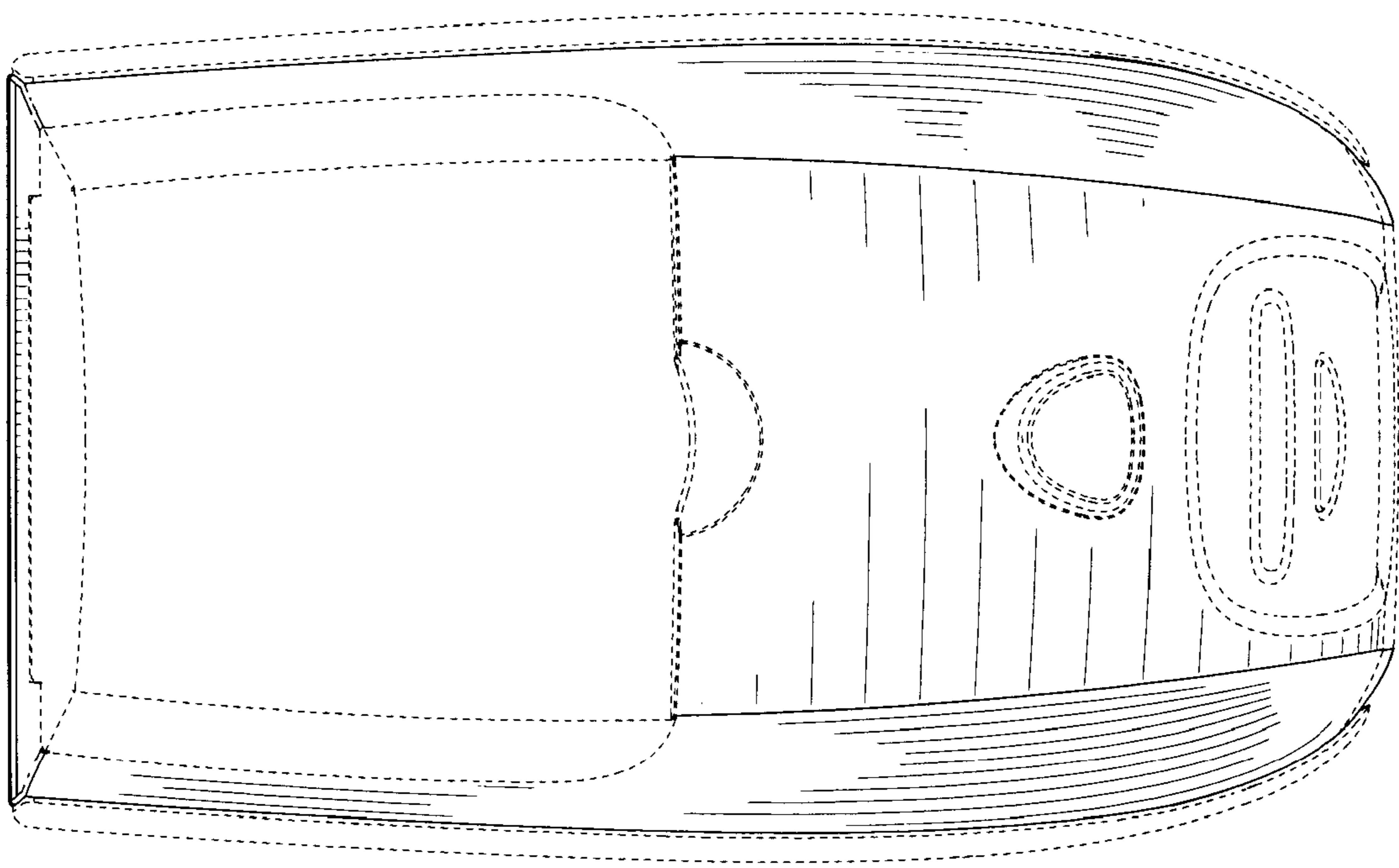


FIG. 3

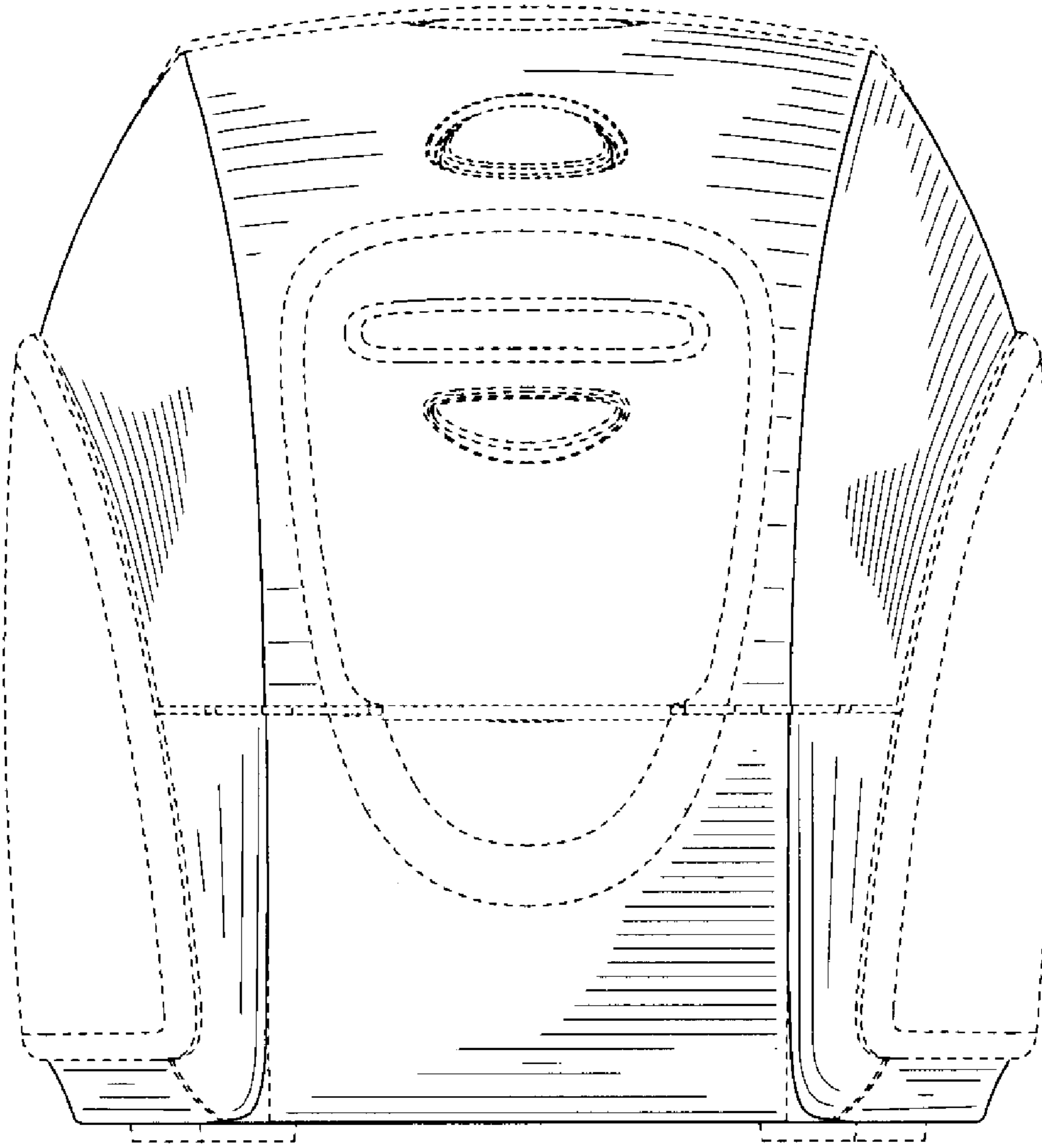


FIG. 4

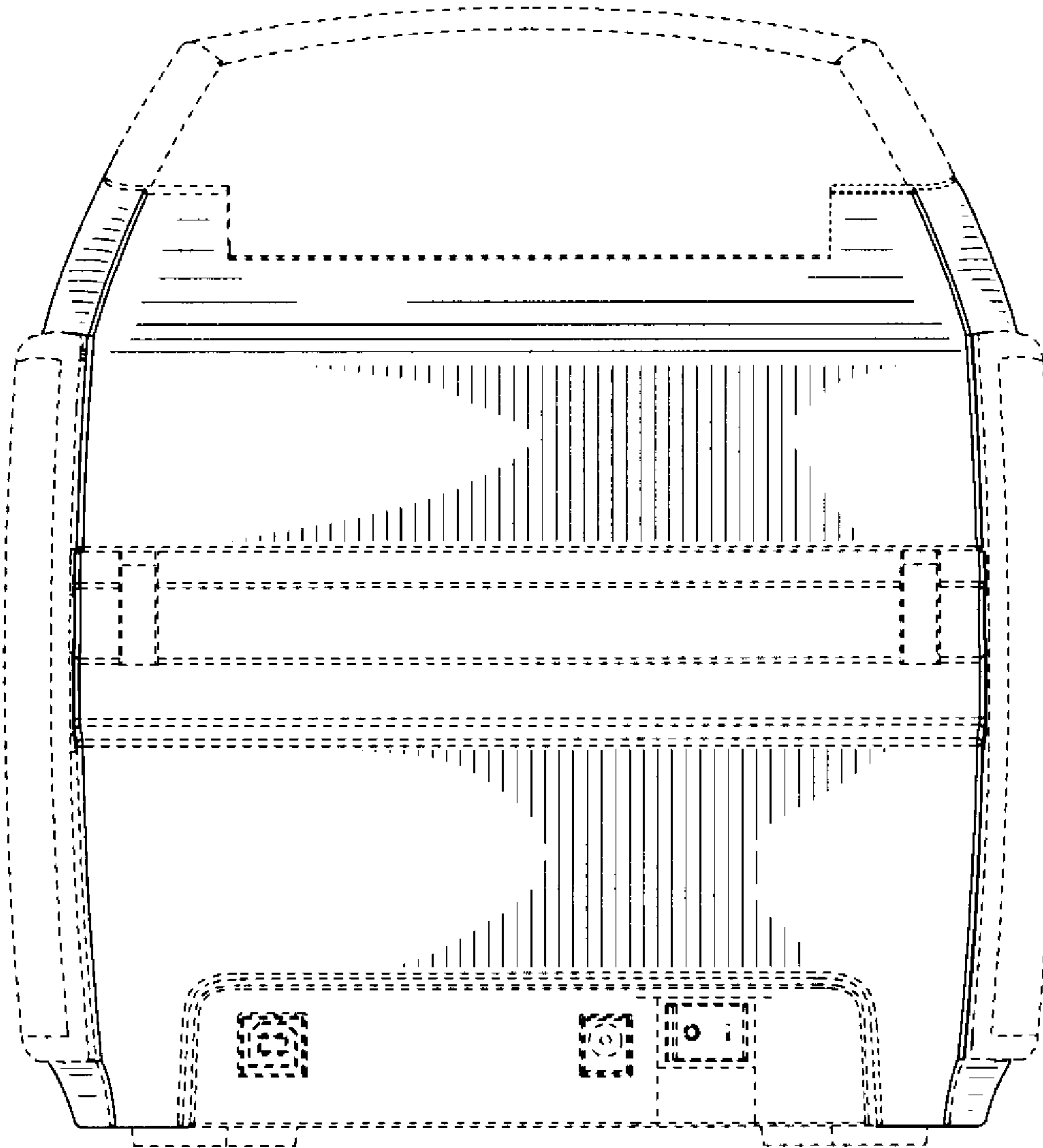


FIG. 5

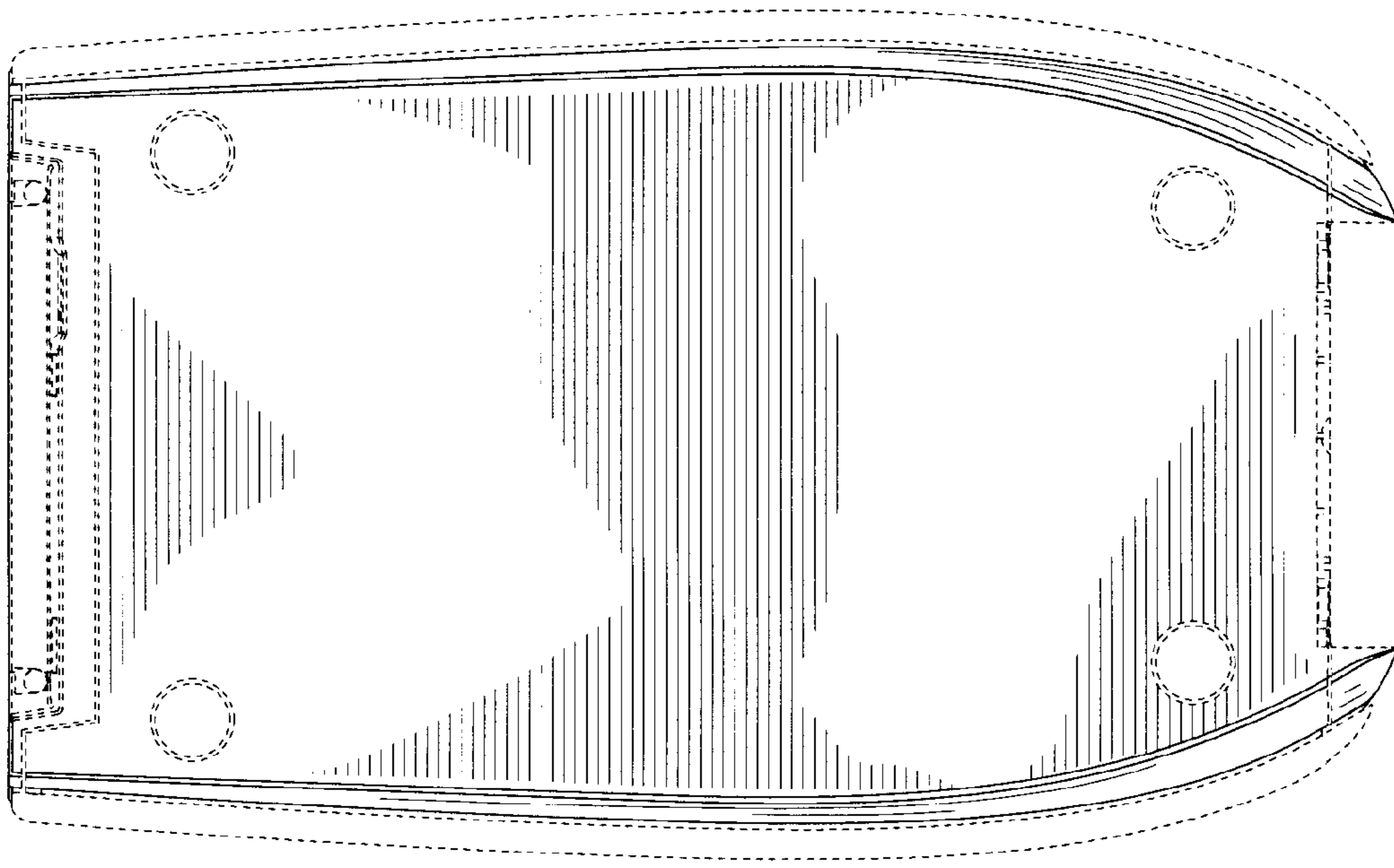


FIG. 6

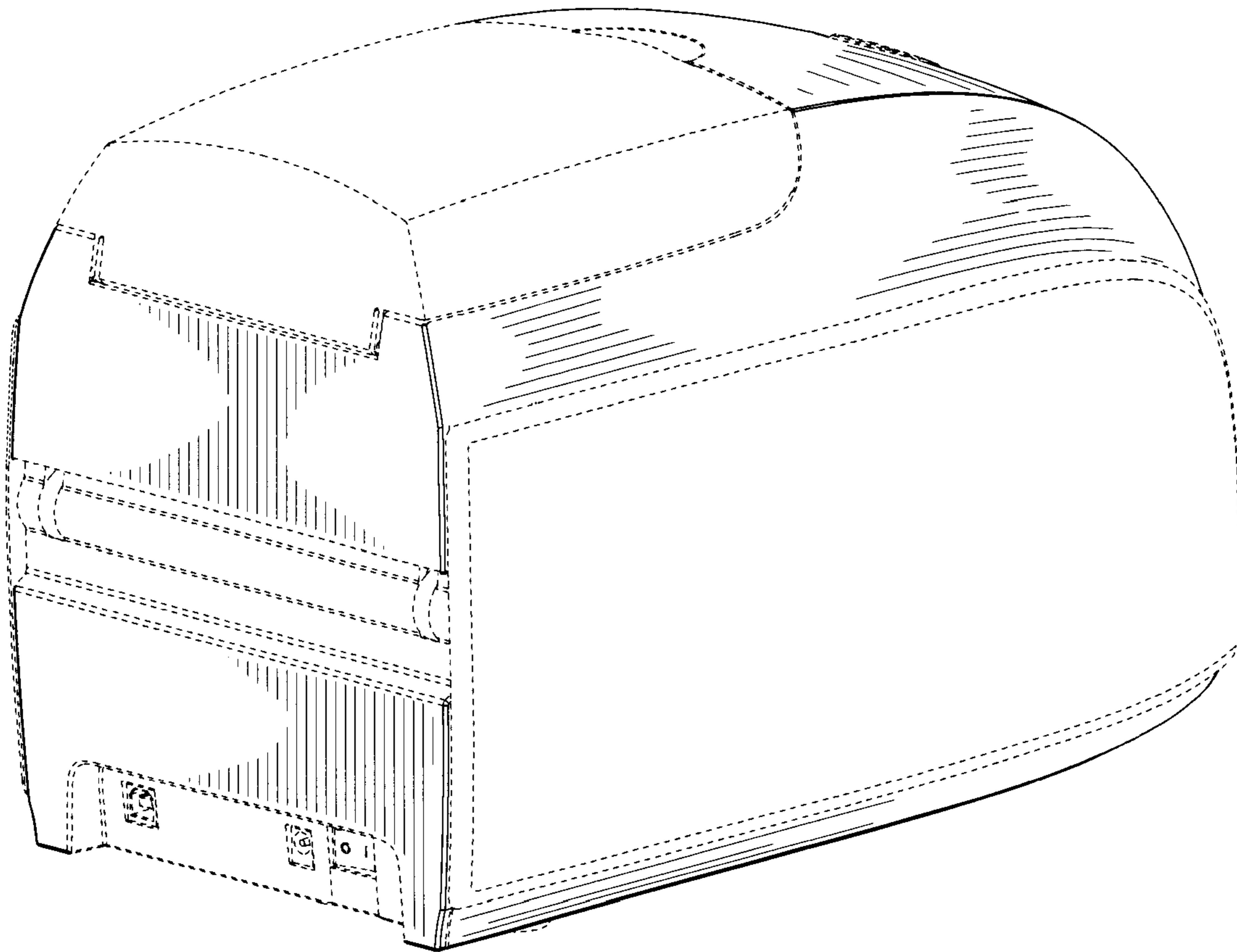


FIG. 7