

US00D527043S

(12) **United States Design Patent** (10) **Patent No.:** **US D527,043 S**
Borne et al. (45) **Date of Patent:** **** Aug. 22, 2006**

(54) **LABEL PRINTER**
(75) Inventors: **Bradley W. Borne**, Uniontown, OH (US); **Robert L. Leonard, Jr.**, Canal Fulton, OH (US); **Tracey L. Glenn**, Altadena, CA (US)
(73) Assignee: **Avery Dennison Corporation**, Pasadena, CA (US)
(**) Term: **14 Years**

D362,673 S 9/1995 Yamamoto
D363,082 S 10/1995 Watanabe et al.
D367,075 S 2/1996 Tremlett
D372,044 S 7/1996 Ware et al.
D372,269 S 7/1996 Miyazaki et al.
D373,784 S 9/1996 Washizuka et al.
D375,520 S 11/1996 Koch et al.
D378,098 S * 2/1997 Sato D18/54.1
D378,377 S 3/1997 Komatsu
D383,486 S 9/1997 Tremlett
D386,515 S * 11/1997 Sommerville et al. D18/54.1
D389,510 S 1/1998 Mimoto
D393,278 S 4/1998 Lee

(21) Appl. No.: **29/210,224**
(22) Filed: **Jul. 27, 2004**

(51) **LOC (8) Cl.** **18-02**
(52) **U.S. Cl.** **D18/50**; D18/19
(58) **Field of Classification Search** D18/19, D18/36-39, 50, 54, 54.1, 55; D14/420-425, D14/462-470; 40/613, 613.1, 613.2, 613.3, 40/613.4, 690.1, 690.2, 690.3, 690.4, 691-694
See application file for complete search history.

(56) **References Cited**

U.S. PATENT DOCUMENTS

D249,981 S 10/1978 Karp
D258,510 S 3/1981 Berzack
4,823,953 A * 4/1989 Anderson et al. 400/613
D305,131 S 12/1989 Sato et al.
D323,846 S 2/1992 Yamamoto
D323,848 S 2/1992 Shigemura
D324,065 S 2/1992 Tsukada
D325,927 S 5/1992 Fushiya
D332,462 S 1/1993 Takahashi
D333,316 S * 2/1993 Ishizawa D18/55
D340,471 S 10/1993 Yamamoto
D344,536 S 2/1994 Lee et al.
D344,537 S 2/1994 Tsuchida et al.
D344,752 S 3/1994 Watanabe et al.
D344,753 S 3/1994 Watanabe et al.
D350,150 S 8/1994 Weitkamp
D350,764 S 9/1994 Gray et al.
D355,671 S 2/1995 Onumata
D356,817 S 3/1995 Onumata et al.
D359,753 S 6/1995 Salinas et al.

(Continued)

OTHER PUBLICATIONS

Webpage: www.dymo.com, DYMO LabelWriter 310 Copyright Esselte Ltd. 2003.
Webpage: www.dymo.com, DYMO LabelWriter 330 Copyright Esselte Ltd. 2003.
Webpage: www.dymo.com, DYMO LabelWriter 330 Turbo Copyright Esselte Ltd. 2003.
Webpage: www.dymo.com, DYMO LabelWriter SE300 Copyright Esselte Ltd. 2003.

Primary Examiner—Cathy Anne MacCormac
(74) *Attorney, Agent, or Firm*—Ingrassia Fisher & Lorenz

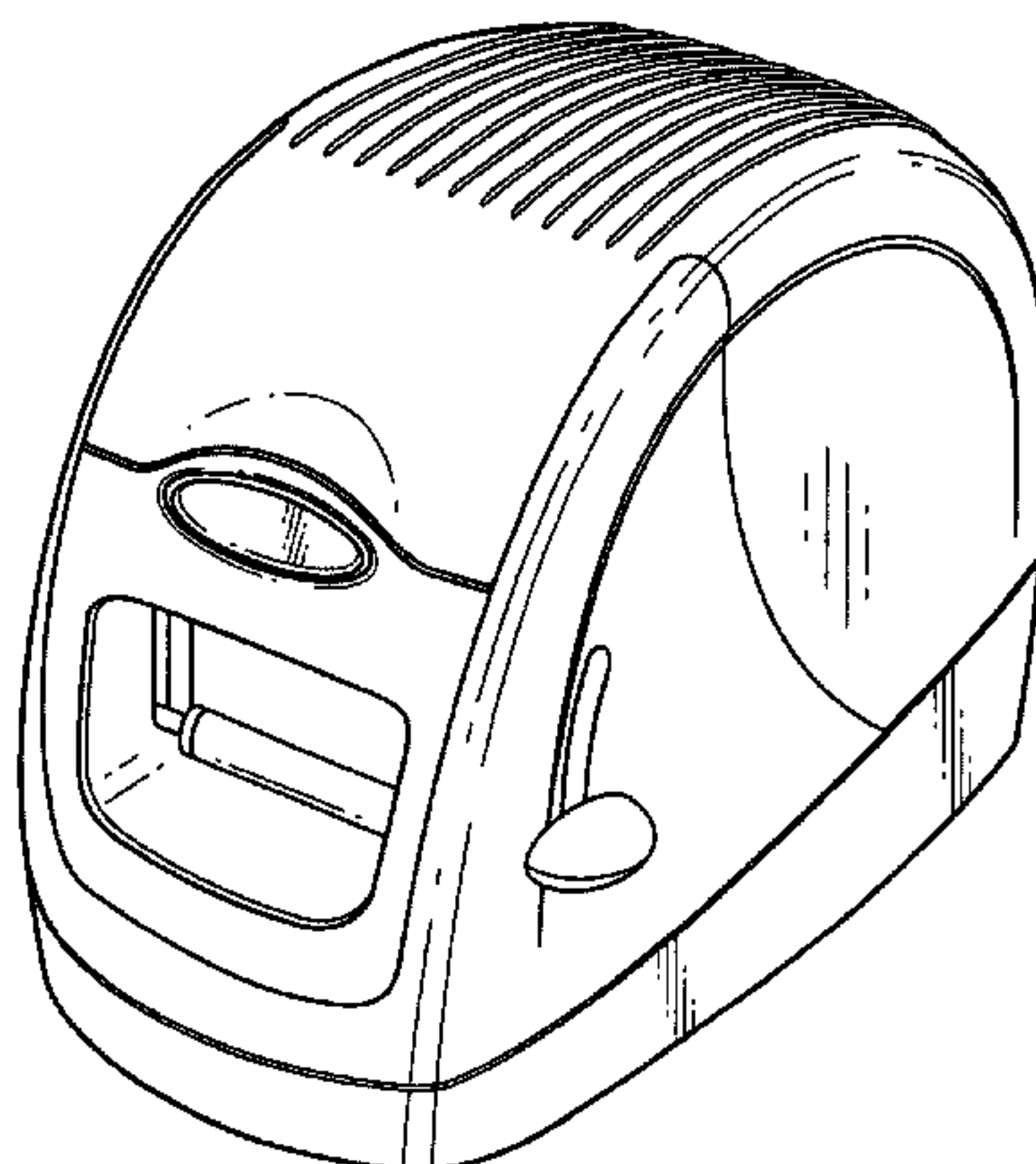
(57) **CLAIM**

The ornamental design for a label printer, as shown and described.

DESCRIPTION

FIG. 1 is a perspective view from a left side of a label printer;
FIG. 2 is a perspective view from a right side;
FIG. 3 is a front view;
FIG. 4 is a back view;
FIG. 5 is a right side view;
FIG. 6 is a left side view;
FIG. 7 is a top view; and,
FIG. 8 is a bottom view.

1 Claim, 5 Drawing Sheets



US D527,043 S

Page 2

U.S. PATENT DOCUMENTS

D413,918 S	9/1999	Shimobayashi	6,352,381 B1 *	3/2002	Gonmori et al.	400/615.2
D423,566 S	4/2000	Hosono	D457,912 S	5/2002	Shigemura et al.	
D424,606 S	5/2000	Yatabe	D478,116 S *	8/2003	Nakaeda et al.	D18/19
D425,547 S	5/2000	Ishiura	D491,217 S *	6/2004	Miyauchi et al.	D18/50
D433,702 S	11/2000	Petteruti	D492,960 S *	7/2004	Takizawa	D18/54
D433,703 S	11/2000	Hosono et al.	D501,502 S *	2/2005	Scully et al.	D18/50
D441,010 S	4/2001	Miyahara et al.	2004/0265032 A1 *	12/2004	Furihata et al.	400/693
D442,212 S	5/2001	Ota				

* cited by examiner

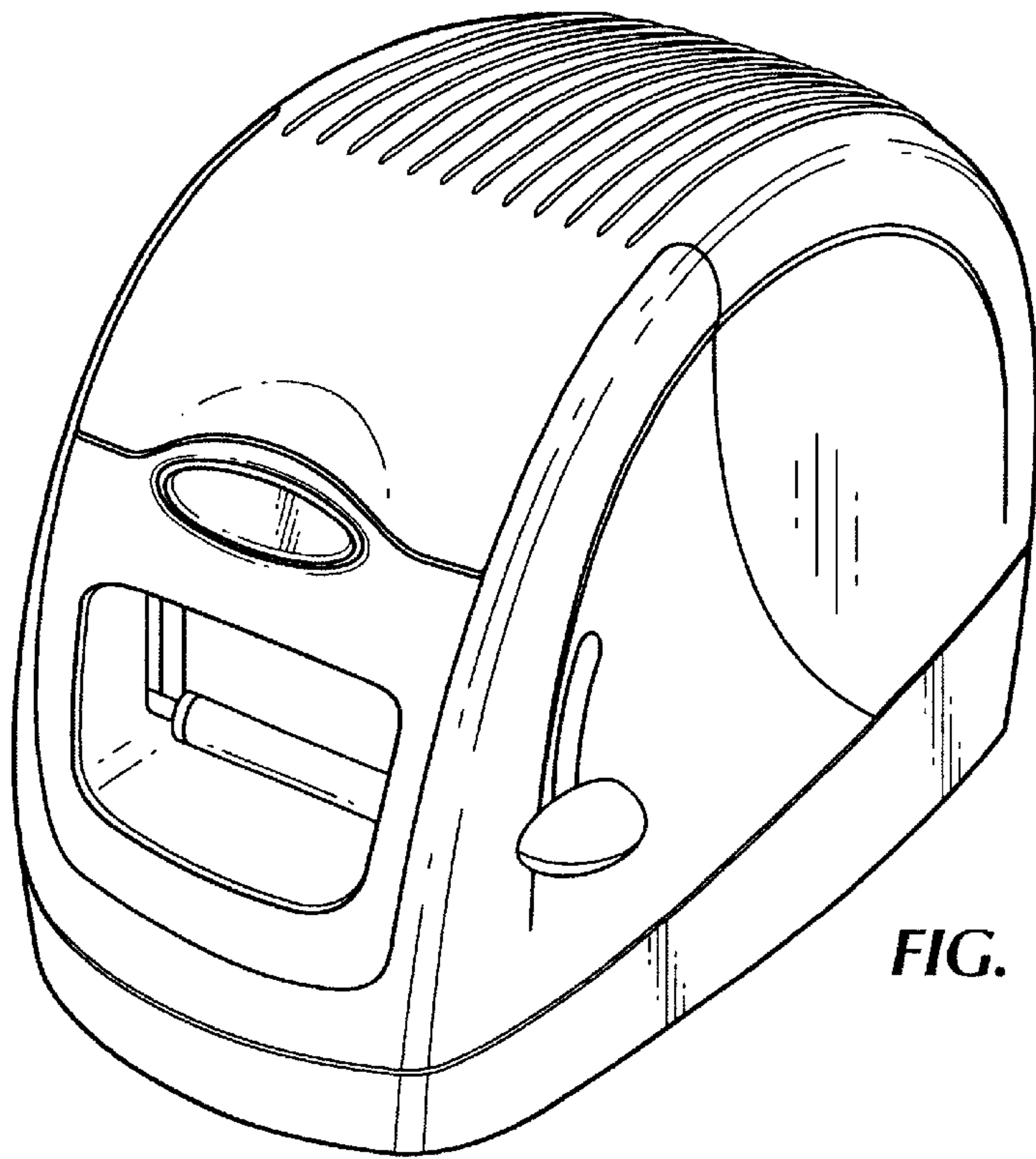


FIG. 1

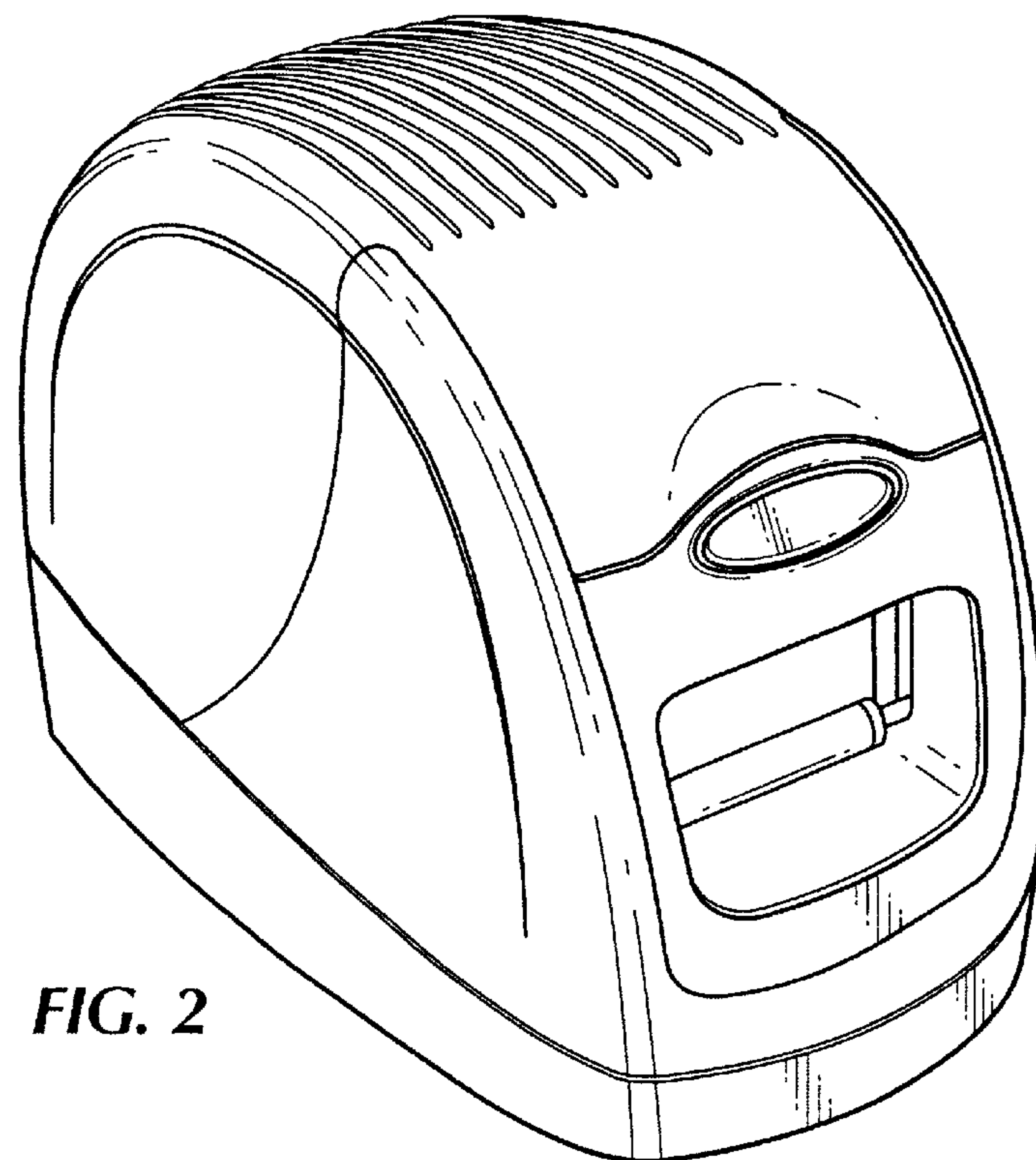


FIG. 2

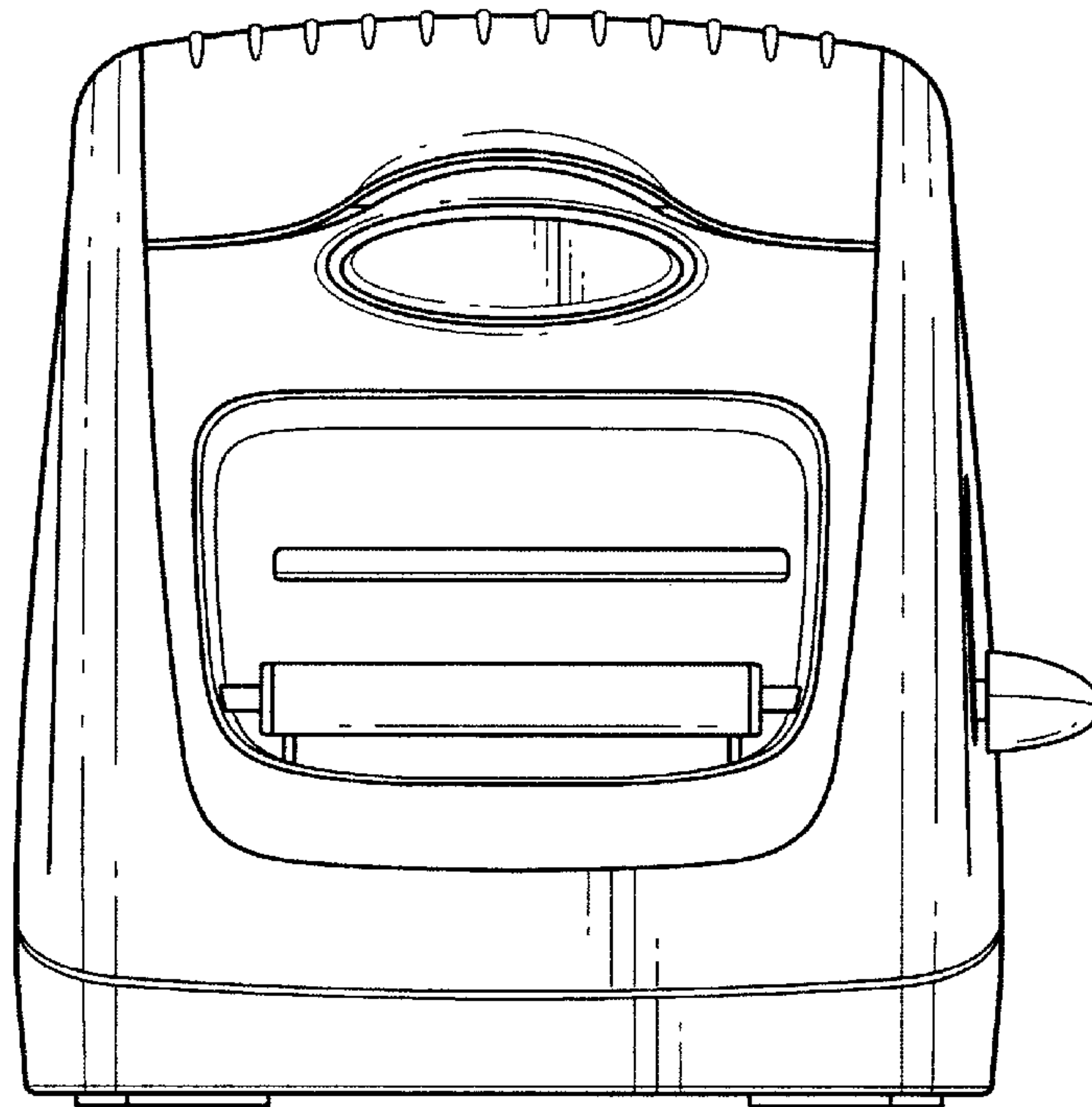


FIG. 3

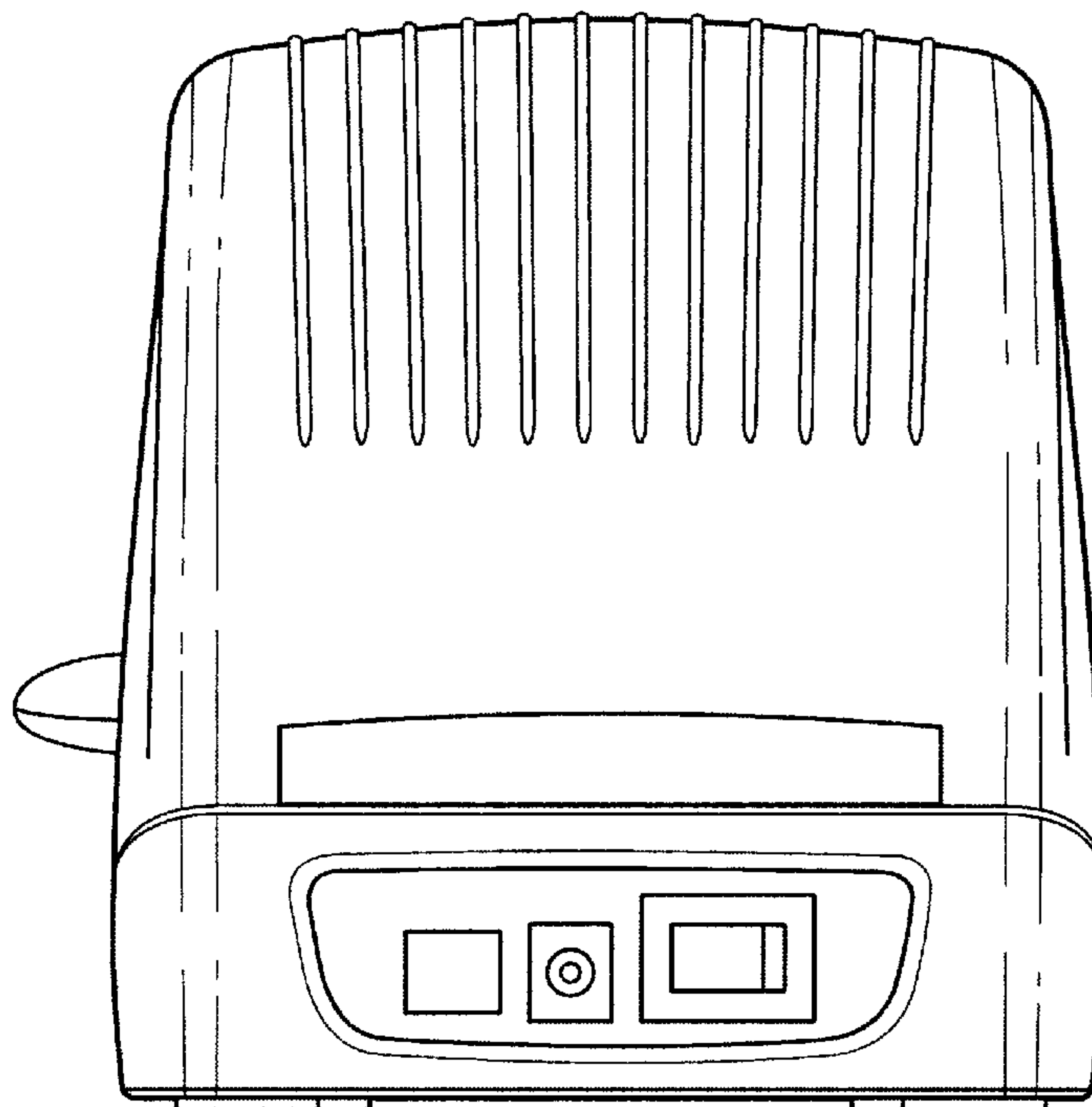


FIG. 4

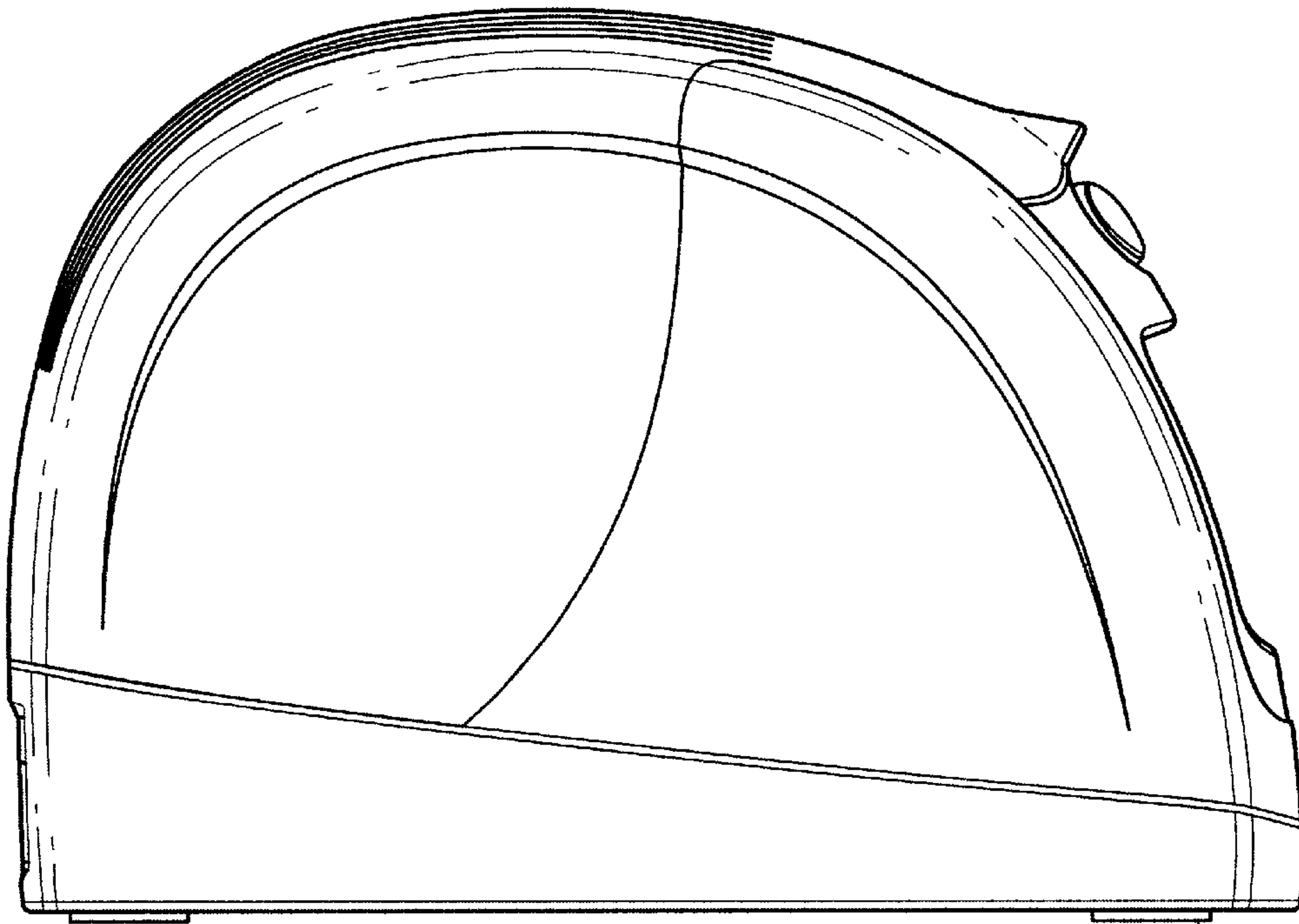


FIG. 5

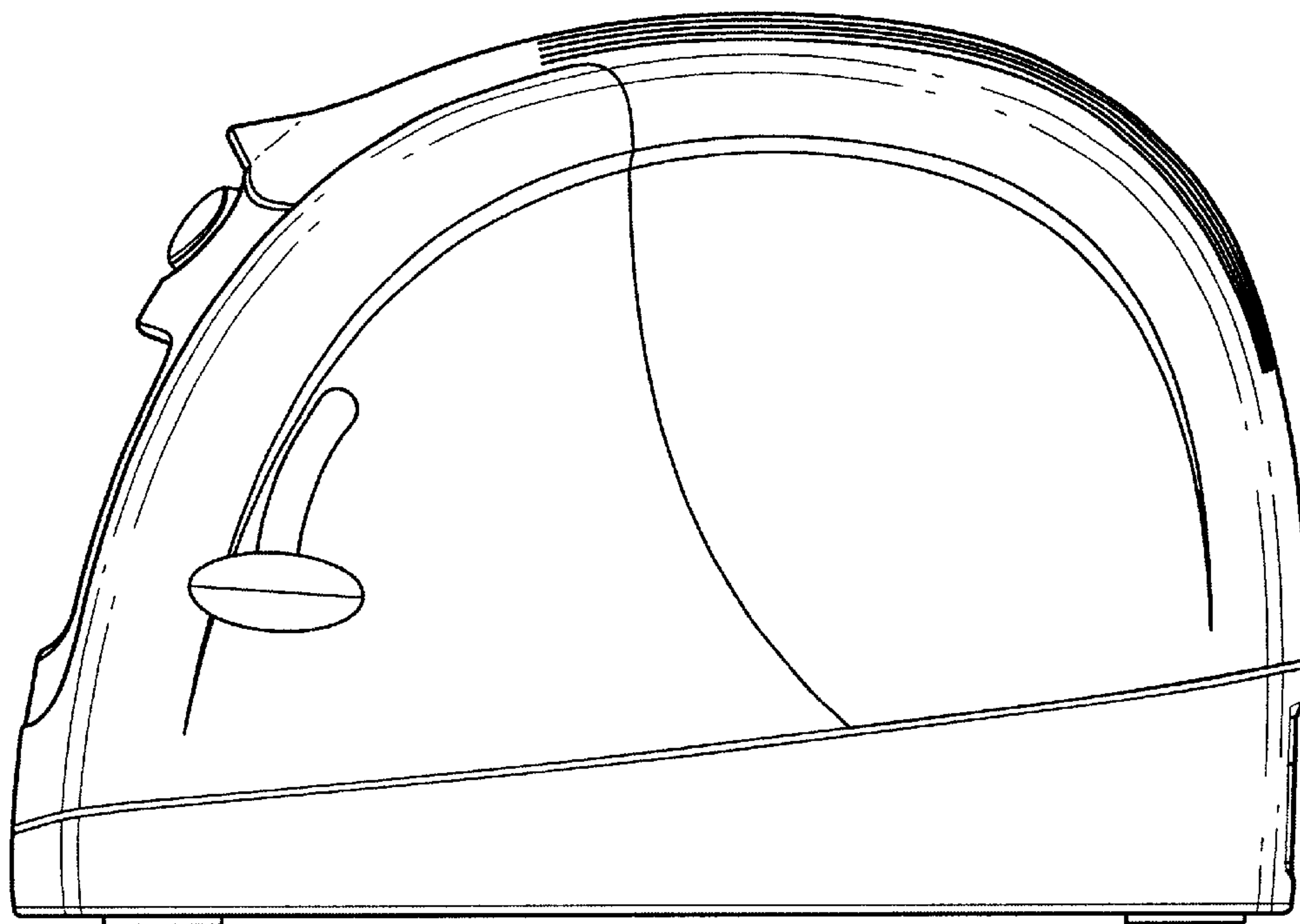


FIG. 6

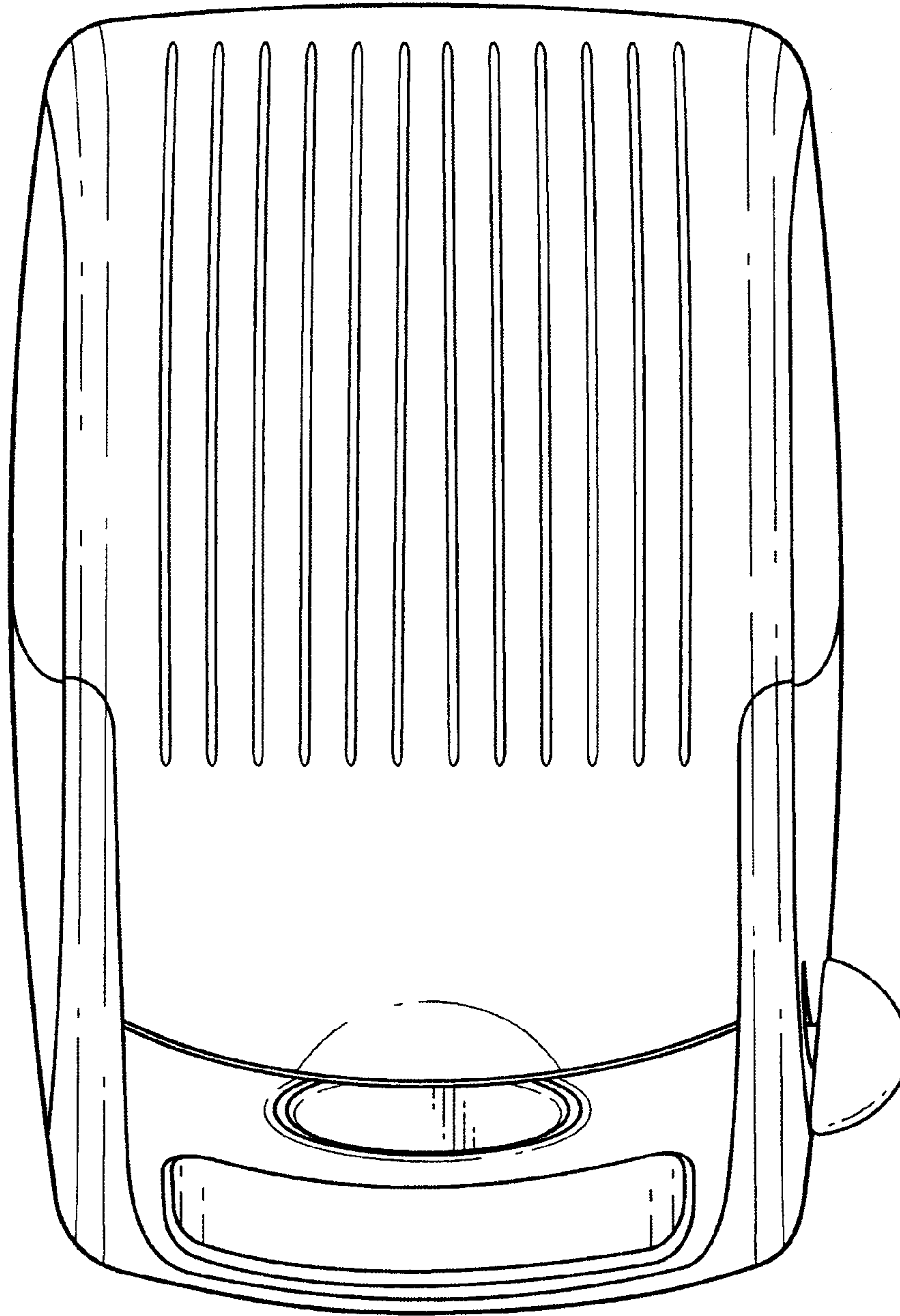


FIG. 7

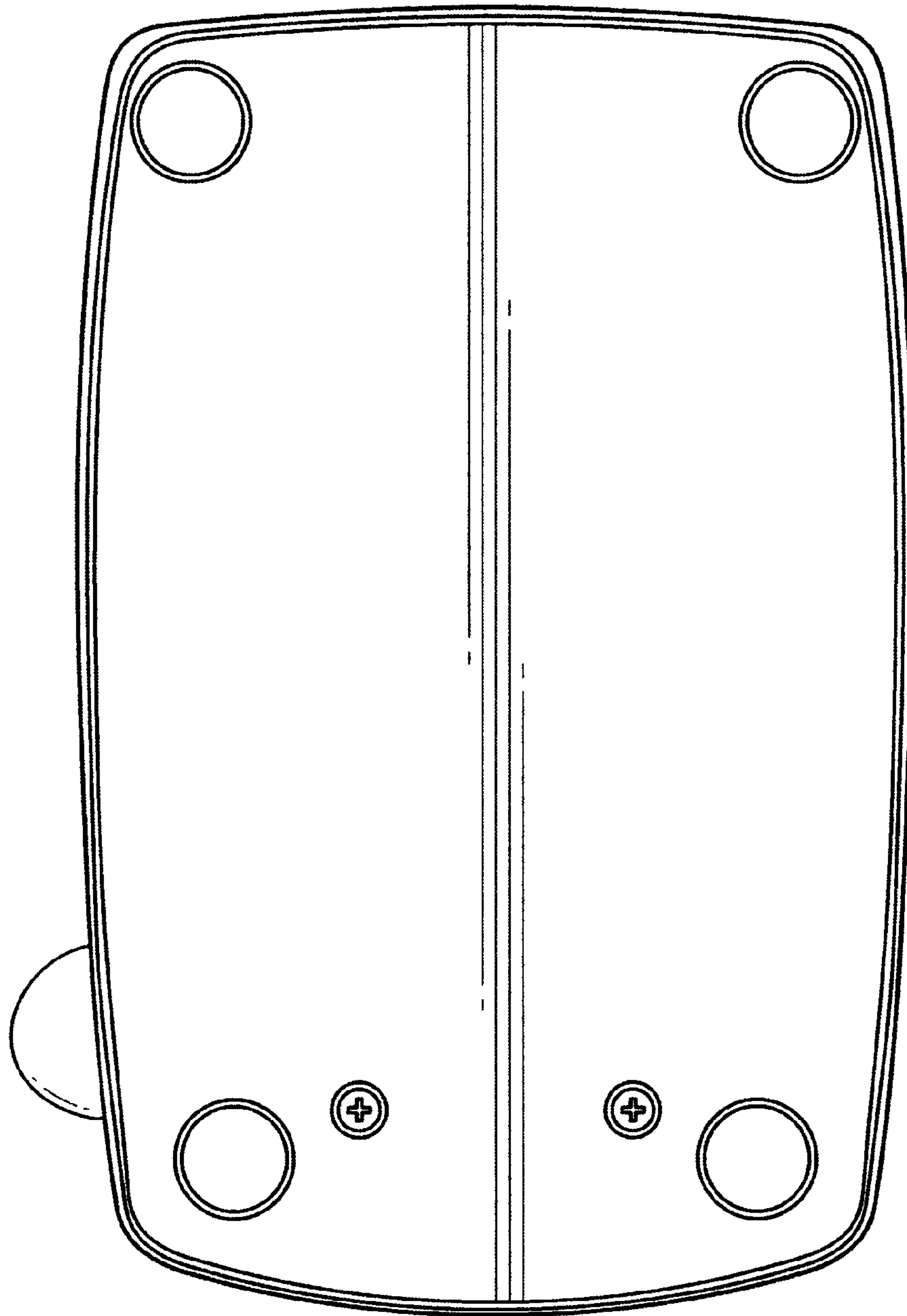


FIG. 8