



US00D527041S

(12) **United States Design Patent**
Nagaoka et al.

(10) **Patent No.:** **US D527,041 S**

(45) **Date of Patent:** **** Aug. 22, 2006**

(54) **WIRE BOBBIN OF THE BINDING MACHINE**

D268,734 S * 4/1983 Soltes D8/358
D409,476 S * 5/1999 Kusakari D8/358
D478,498 S * 8/2003 Ito et al. D8/358

(75) Inventors: **Takahiro Nagaoka**, Tokyo (JP); **Ichiro Kusakari**, Tokyo (JP)

* cited by examiner

(73) Assignee: **Max Co., Ltd.**, Tokyo (JP)

Primary Examiner—Holly Baynham

(**) Term: **14 Years**

(74) *Attorney, Agent, or Firm*—Morgan, Lewis & Bockius LLP

(21) Appl. No.: **29/238,688**

(57) **CLAIM**

(22) Filed: **Jun. 14, 2004**

The ornamental design for a wire bobbin of the binding machine, as shown and described.

(30) **Foreign Application Priority Data**

DESCRIPTION

Dec. 19, 2003 (JP) 2003-037588

(51) **LOC (8) Cl.** **18-04**

FIG. 1 is a perspective view of the front and right side of a wire bobbin of the binding machine showing our new design;

(52) **U.S. Cl.** **D18/34.9; D3/24; D8/358**

FIG. 2 is a perspective view of the rear and right side thereof;

(58) **Field of Classification Search** D18/34.9;

D3/24; D15/72; 156/587; 242/118.4, 129, 242/129.5, 405.1; D8/358

FIG. 3 is a front view thereof;

See application file for complete search history.

FIG. 4 is a rear view thereof;

FIG. 5 is a top plan view thereof;

(56) **References Cited**

U.S. PATENT DOCUMENTS

D186,250 S * 9/1959 Bacco D15/72
D230,705 S * 3/1974 Lillard et al. D8/358

FIG. 6 is a bottom plan view thereof;

FIG. 7 is a left side view thereof; and,

FIG. 8 is a right side view thereof.

1 Claim, 3 Drawing Sheets

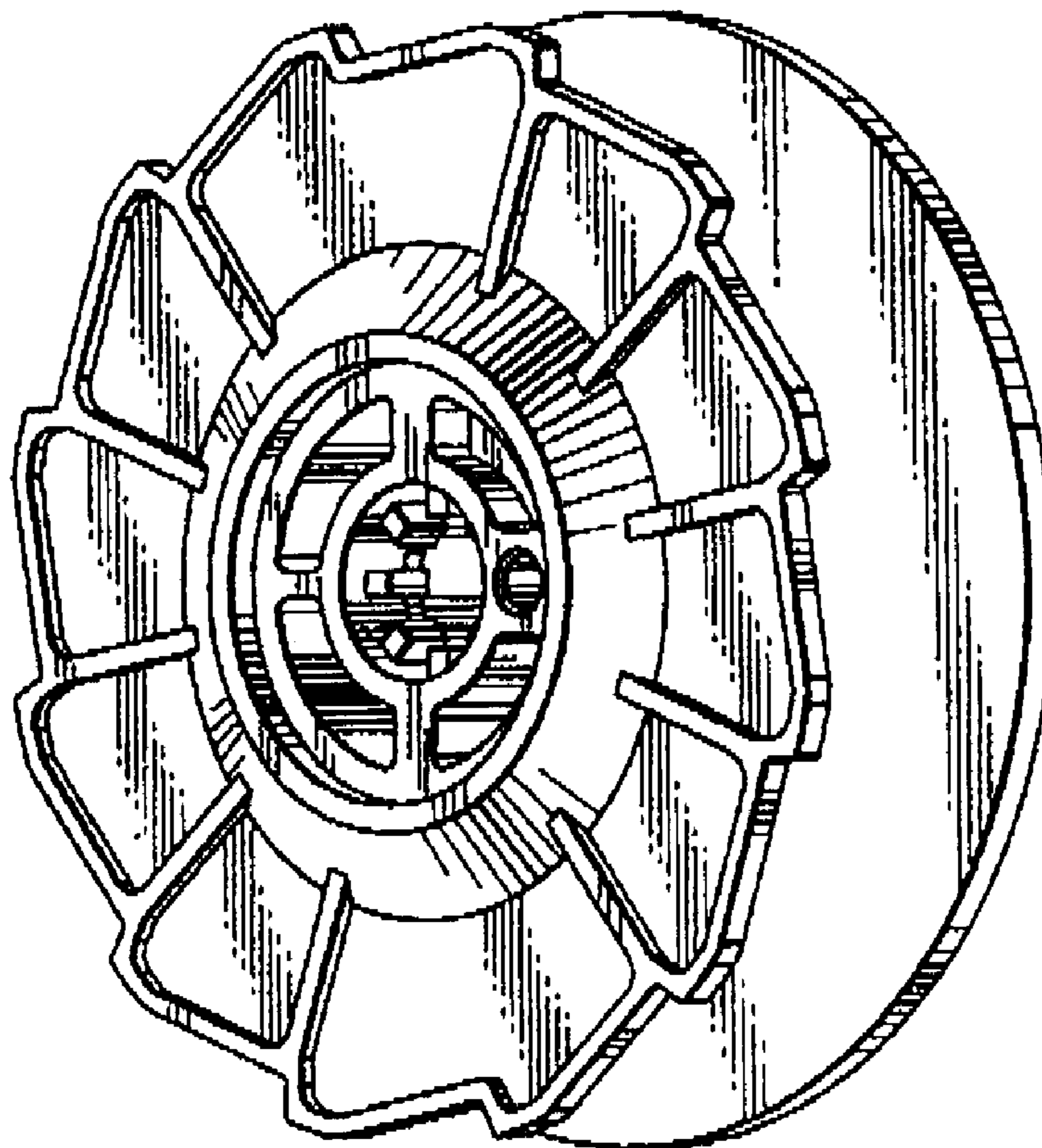


FIG.1

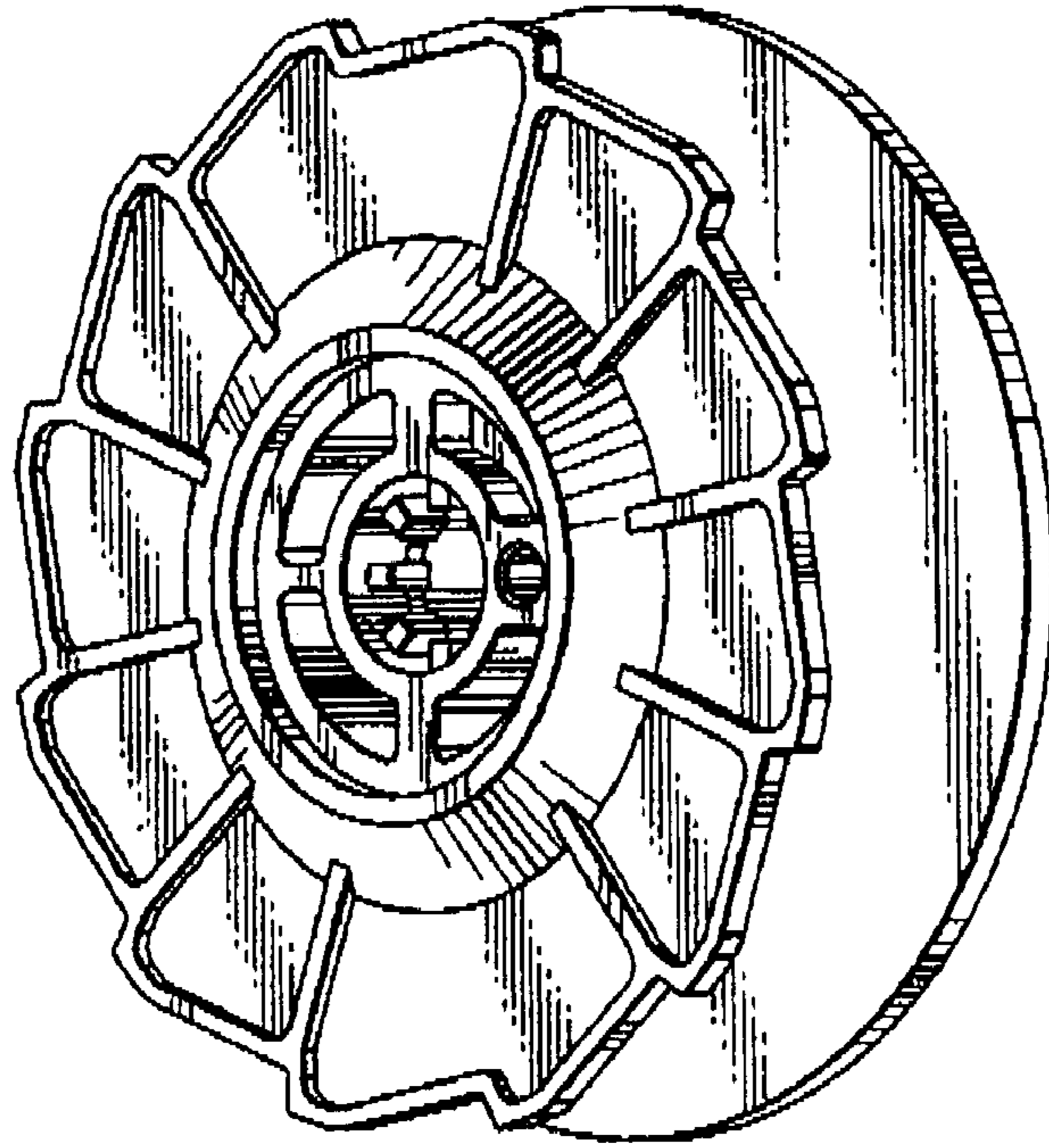


FIG.2

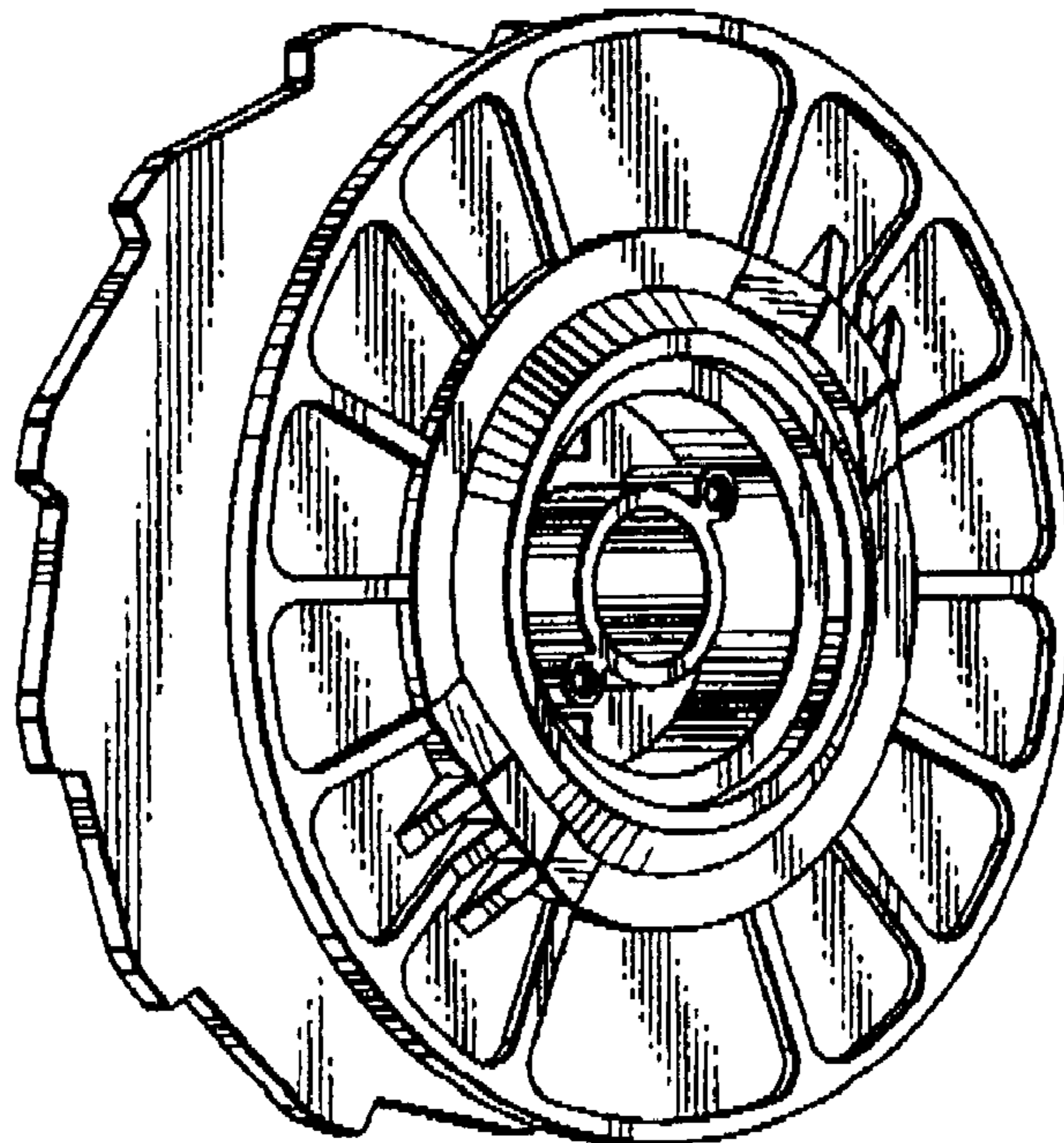


FIG.3

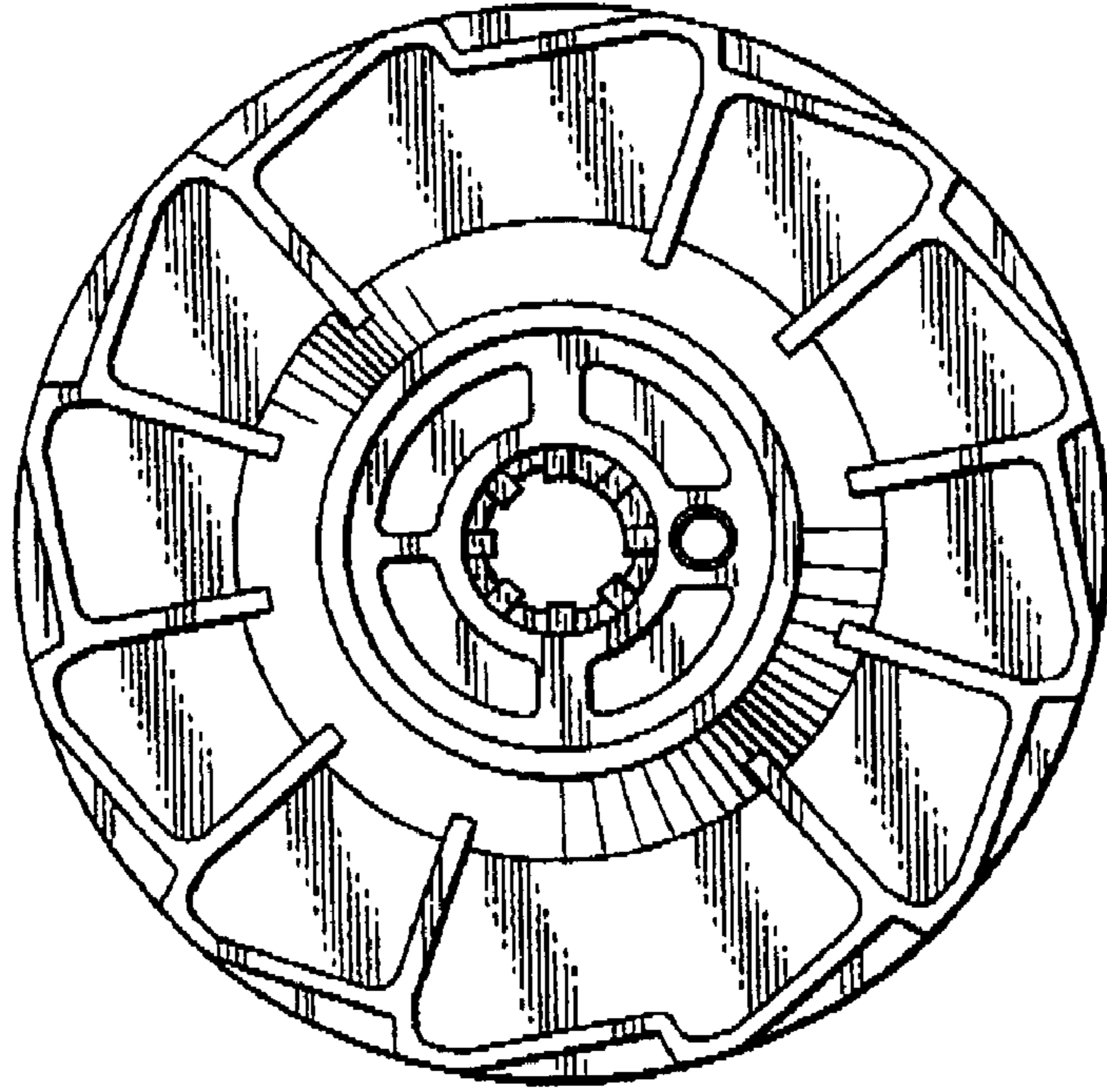


FIG.4

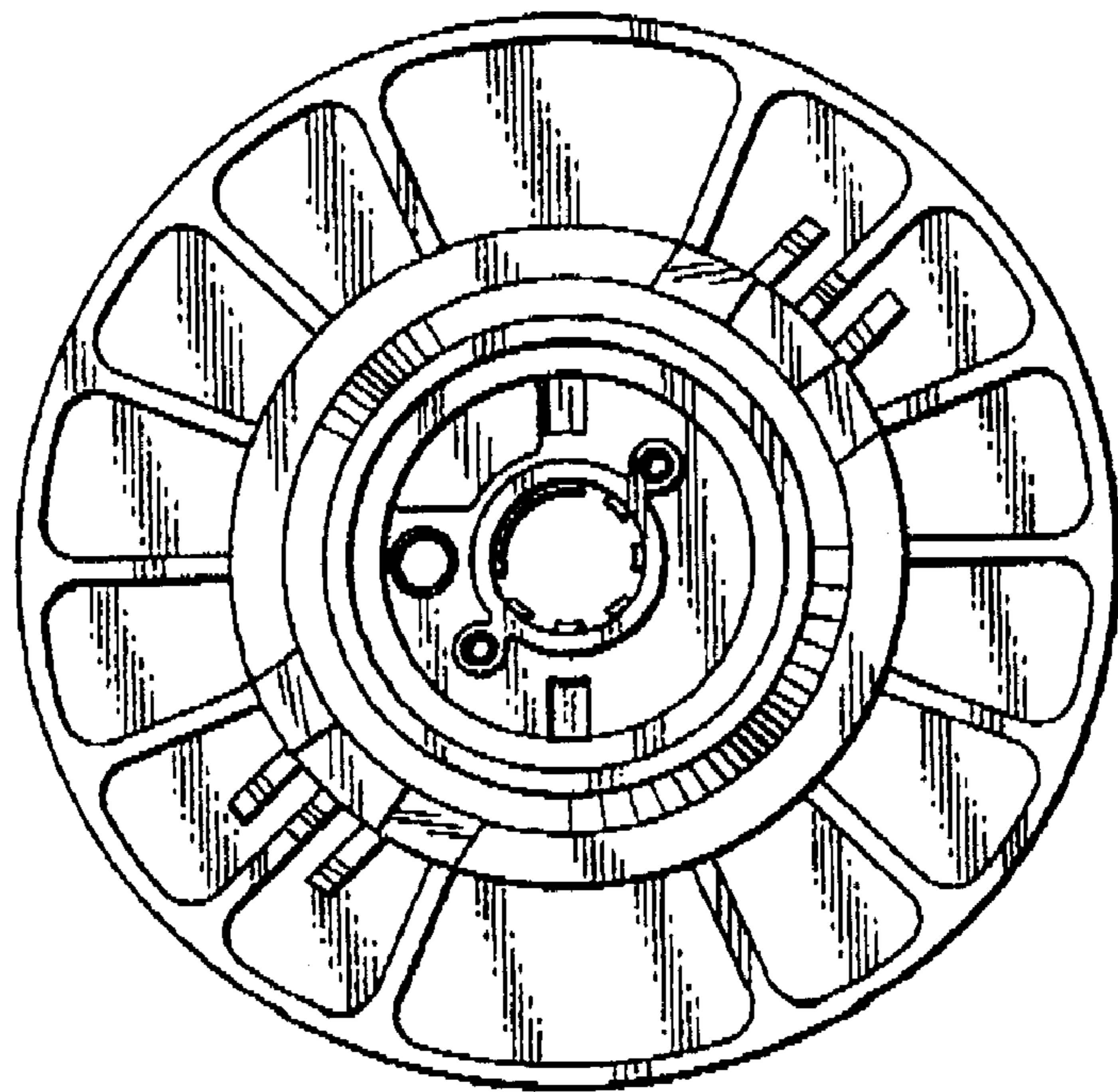


FIG.5

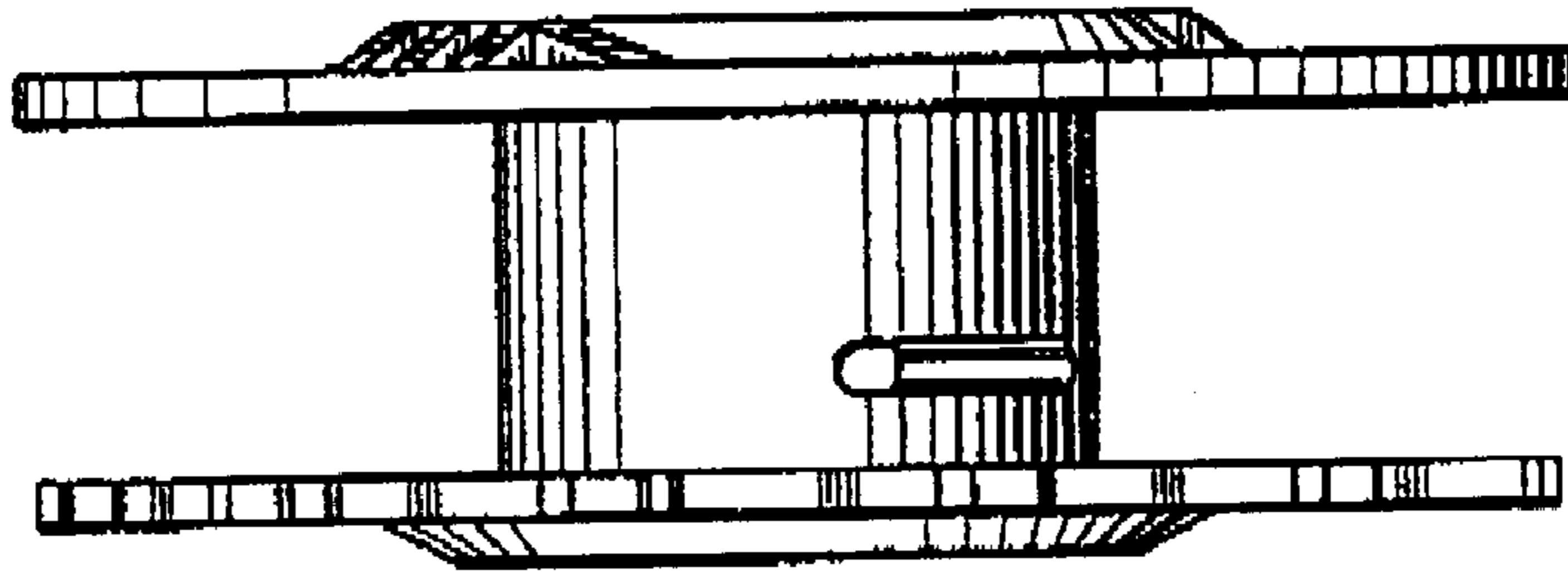


FIG.6

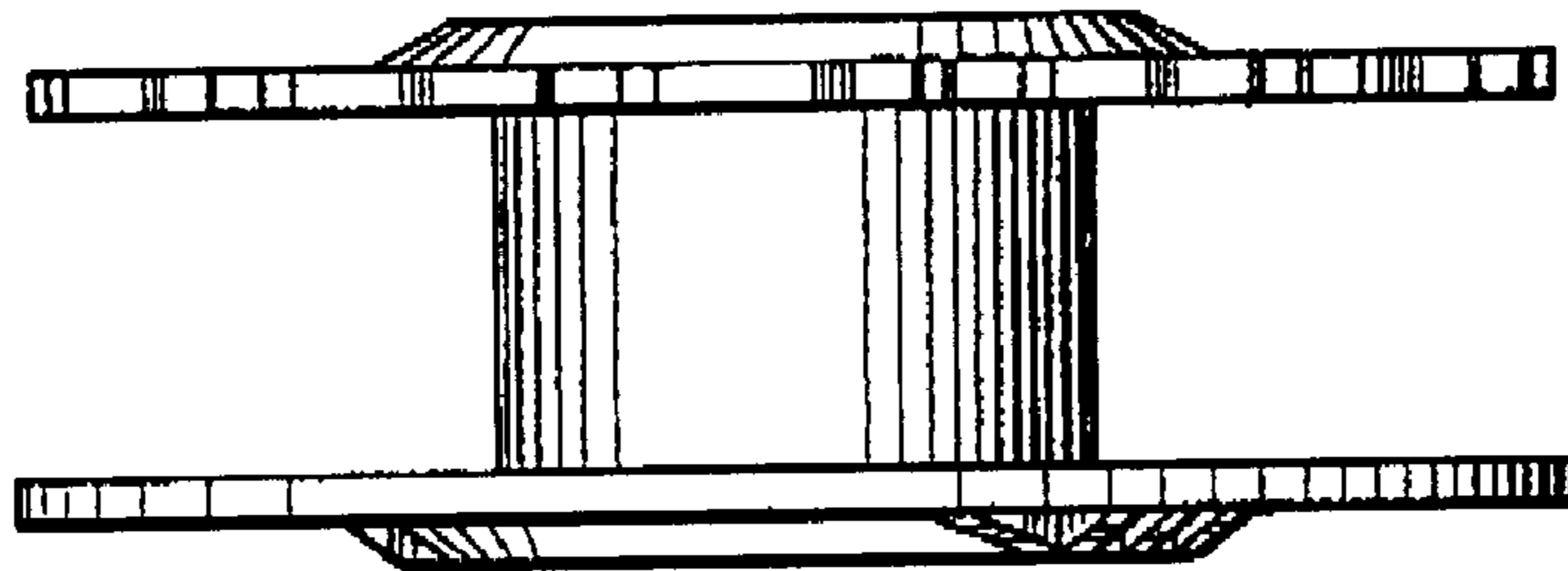


FIG.7

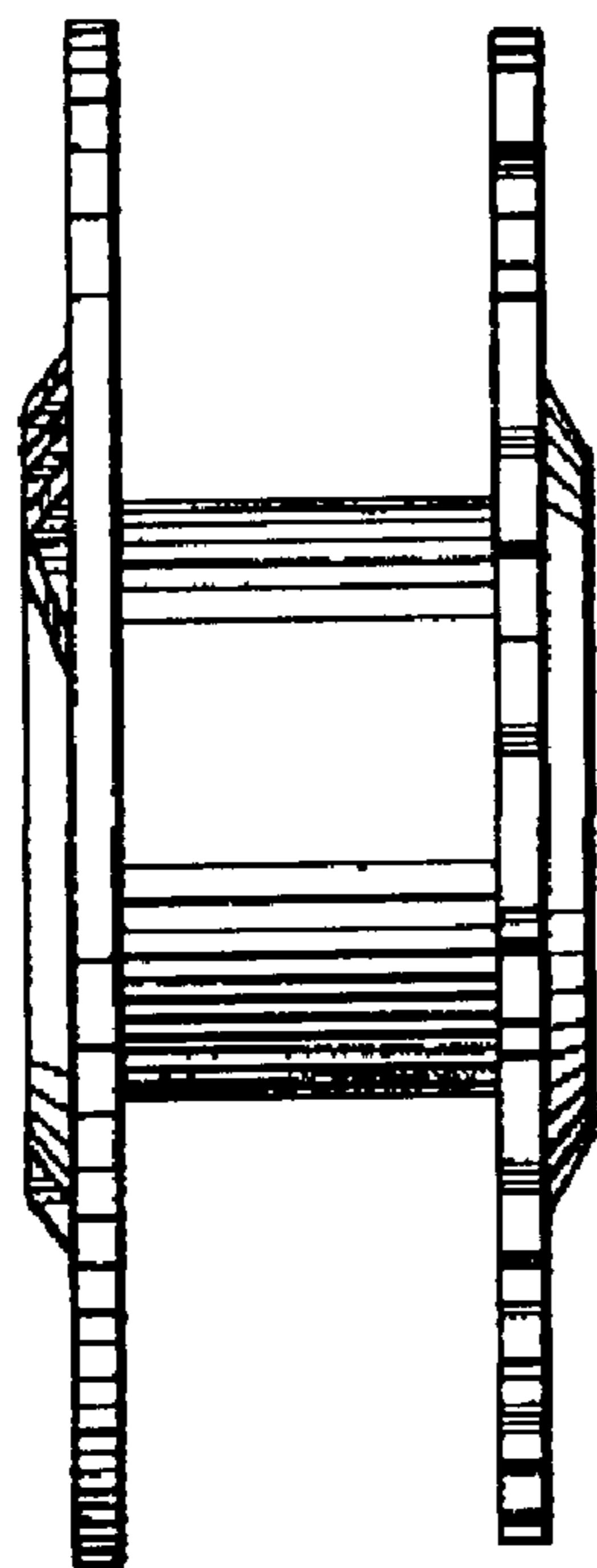


FIG.8

