



US00D527038S

(12) **United States Design Patent**
Eskew

(10) **Patent No.:** **US D527,038 S**

(45) **Date of Patent:** **** Aug. 22, 2006**

(54) **RETRACTABLE MUSICIAN'S CORD**

(76) Inventor: **Brent R. Eskew**, 3310 Rex Dr.,
Indianapolis, IN (US) 46222

(**) Term: **14 Years**

(21) Appl. No.: **29/217,524**

(22) Filed: **Nov. 18, 2004**

(51) **LOC (8) Cl.** **17-99**

(52) **U.S. Cl.** **D17/99**; D8/359; D13/137.4

(58) **Field of Classification Search** D8/358,
D8/359; D13/137.4, 139.7; 84/453; 242/388,
242/394, 395, 405.3

See application file for complete search history.

(56) **References Cited**

U.S. PATENT DOCUMENTS

D186,898 S	*	12/1959	Uebelhoer	D8/359
D286,134 S	*	10/1986	Schwartz	D13/137.4
4,685,634 A	*	8/1987	Schwartz	242/405.3
D458,113 S	*	6/2002	Yang	D8/358
D468,189 S	*	1/2003	Kovacik et al.	D8/358
D496,253 S	*	9/2004	Kovacik et al.	D8/358

* cited by examiner

Primary Examiner—Adir Aronovich

(74) *Attorney, Agent, or Firm*—Woodard, Emhardt,
Moriarty, McNett & Henry LLP

(57) **CLAIM**

The ornamental design for a retractable musician's cord, as shown and described.

DESCRIPTION

FIG. 1 is a perspective view of a retractable musician's cord according to the invention wherein the environmental elements of the male and female connection ends of the cord, the ball stop and retaining clip used to keep the male end from being retracted into the housing, the rubberized texturing on the handle, and the three rubber feet are shown in phantom lines.

FIG. 2 is a left side elevational view of the FIG. 1 device wherein the male end of the cord is shown straightened relative to the FIG. 1 view.

FIG. 3 is a right side elevational view of the device as depicted in FIG. 2.

FIG. 4 is an end elevational view of the device as seen from the left of FIG. 2;

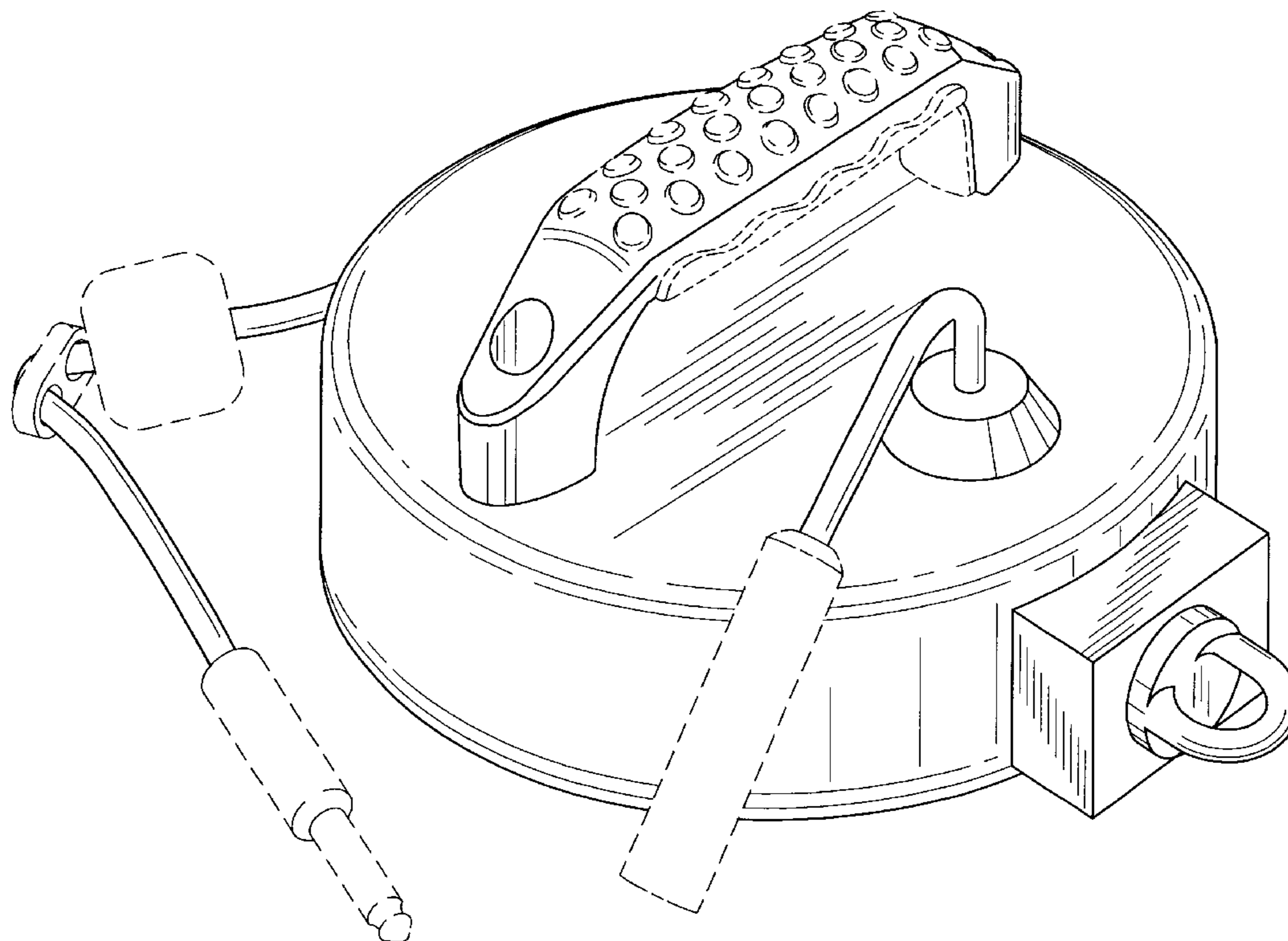
FIG. 5 is an end elevational view a of the device as seen from the right of FIG. 2;

FIG. 6 is a top plan view of the device as depicted in FIG. 2; and,

FIG. 7 is a bottom plan view of the device as depicted in FIG. 2.

The broken line elements (described in FIG. 1) shown throughout the views are illustrating environment only and form no part of the claimed design.

1 Claim, 7 Drawing Sheets



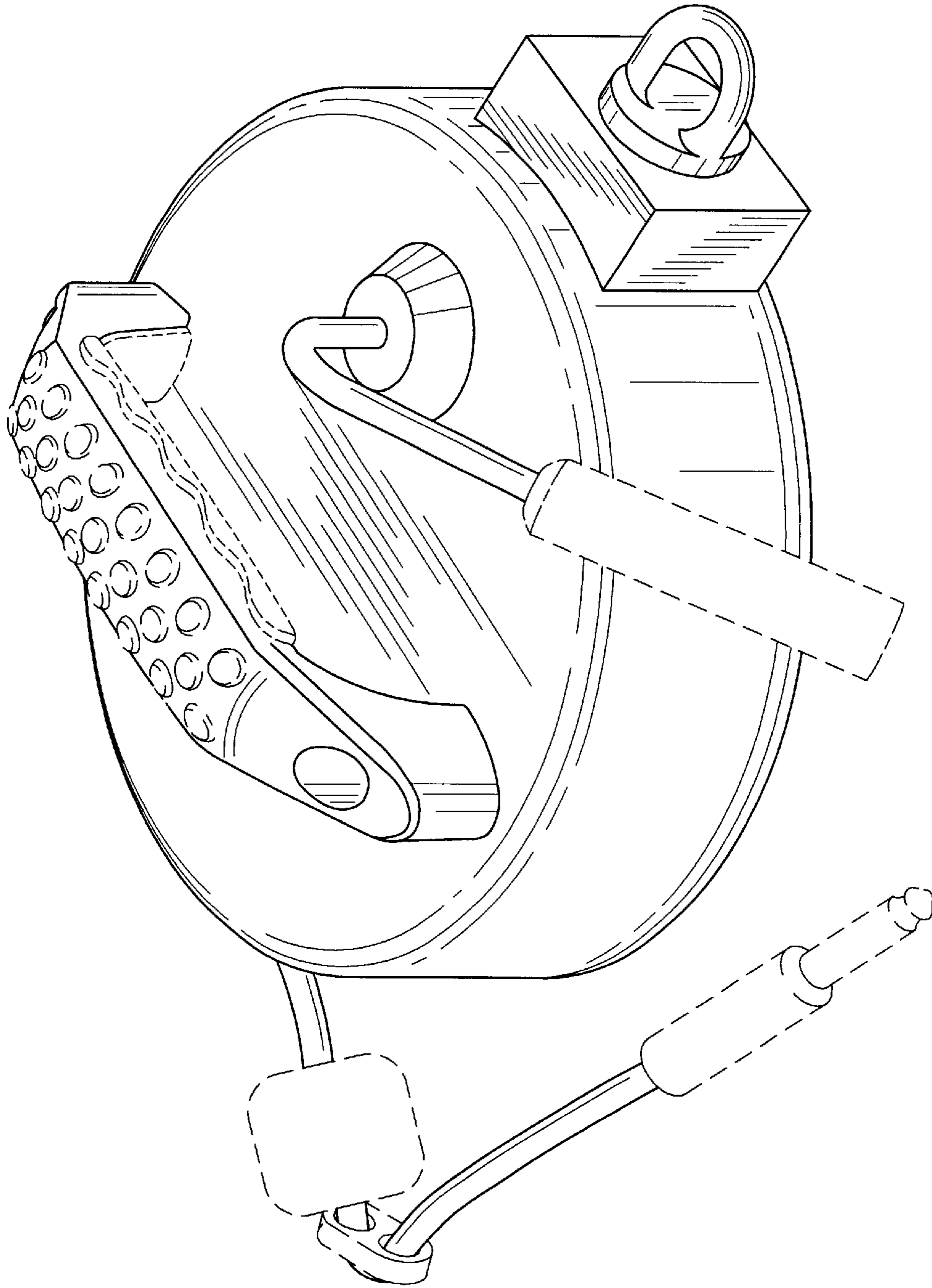


Fig. 1

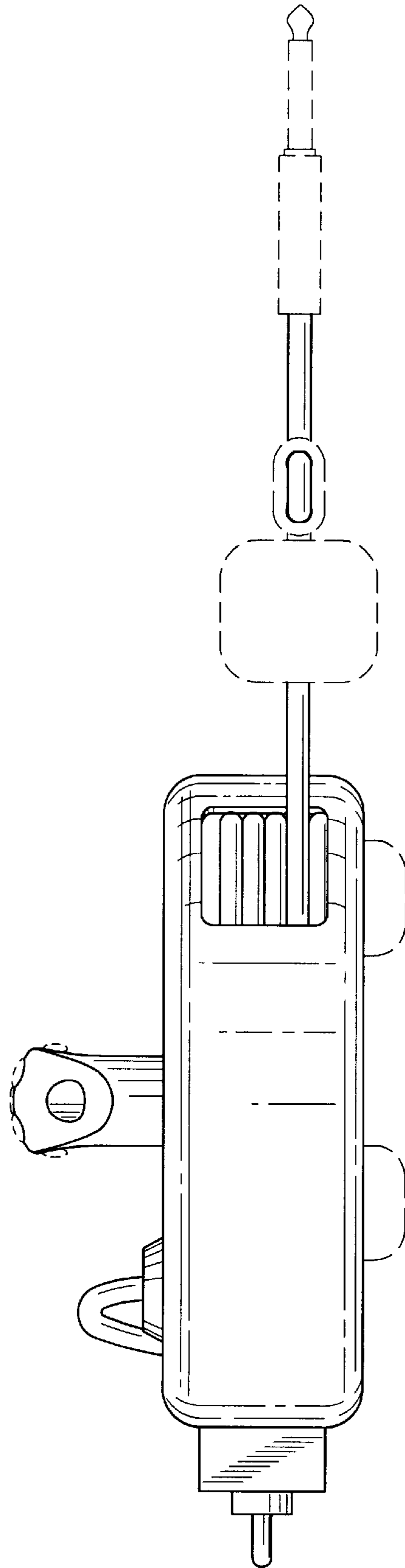


Fig. 2

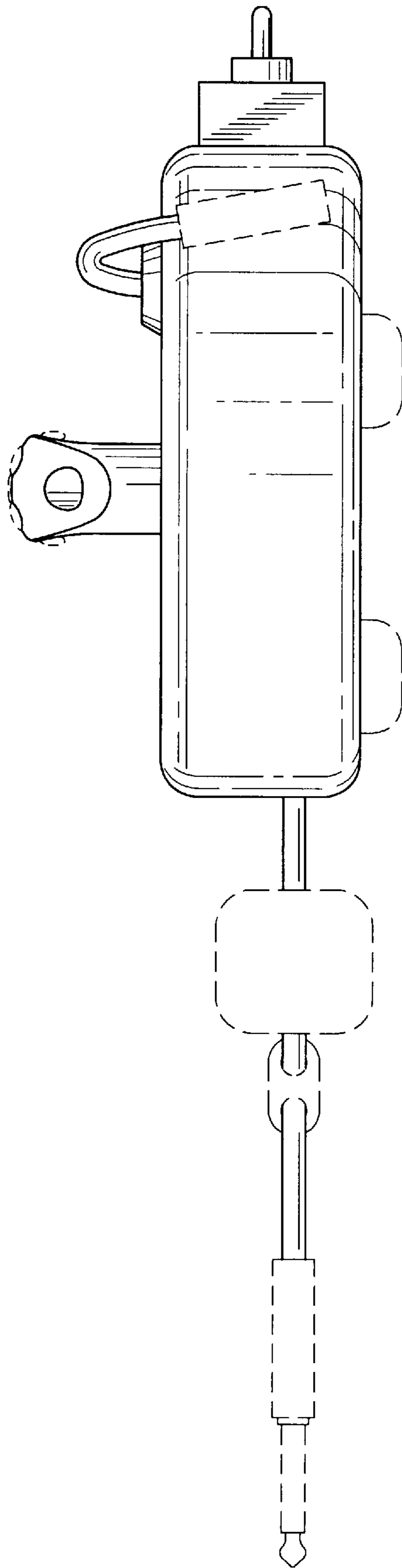


Fig. 3

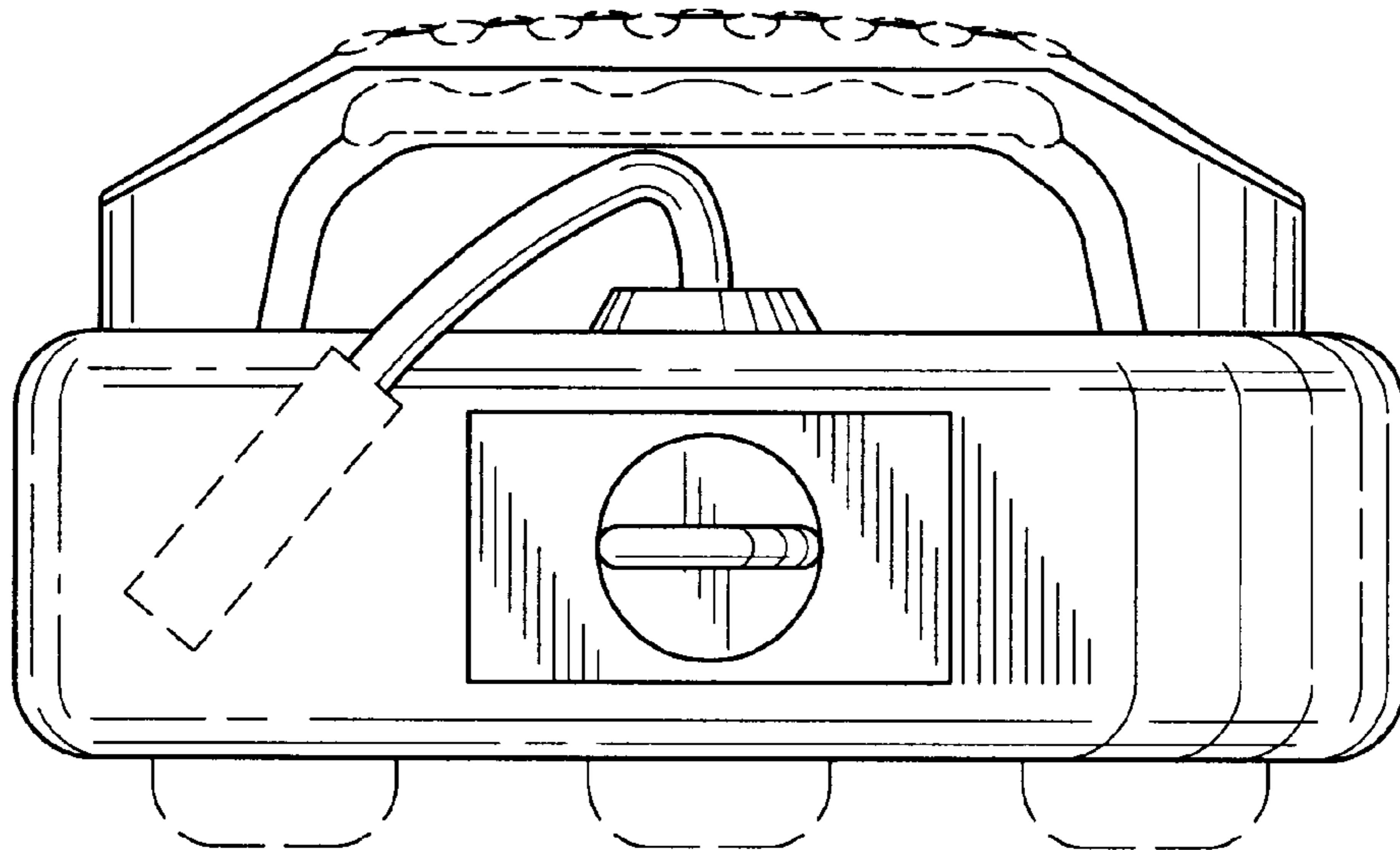


Fig. 4

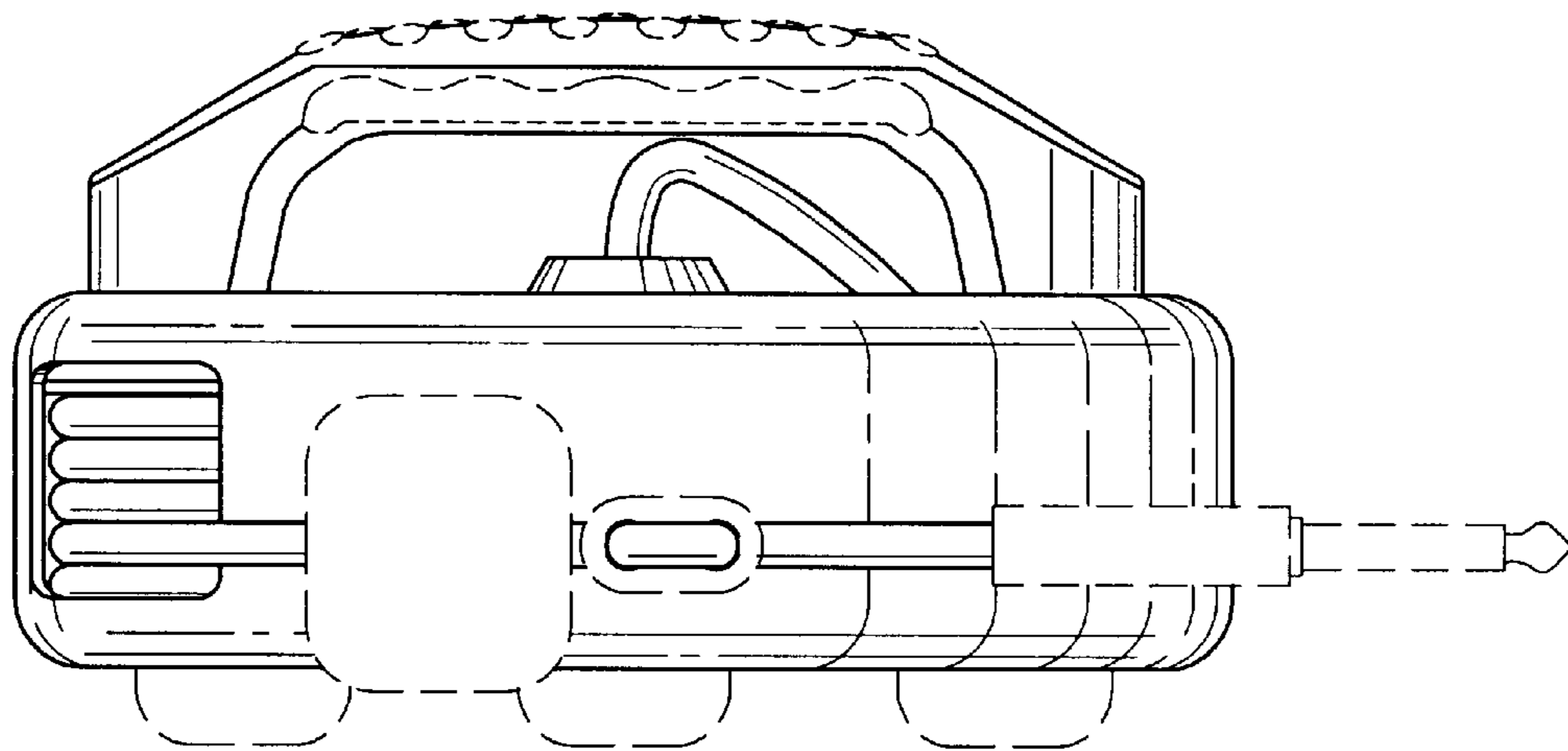


Fig. 5

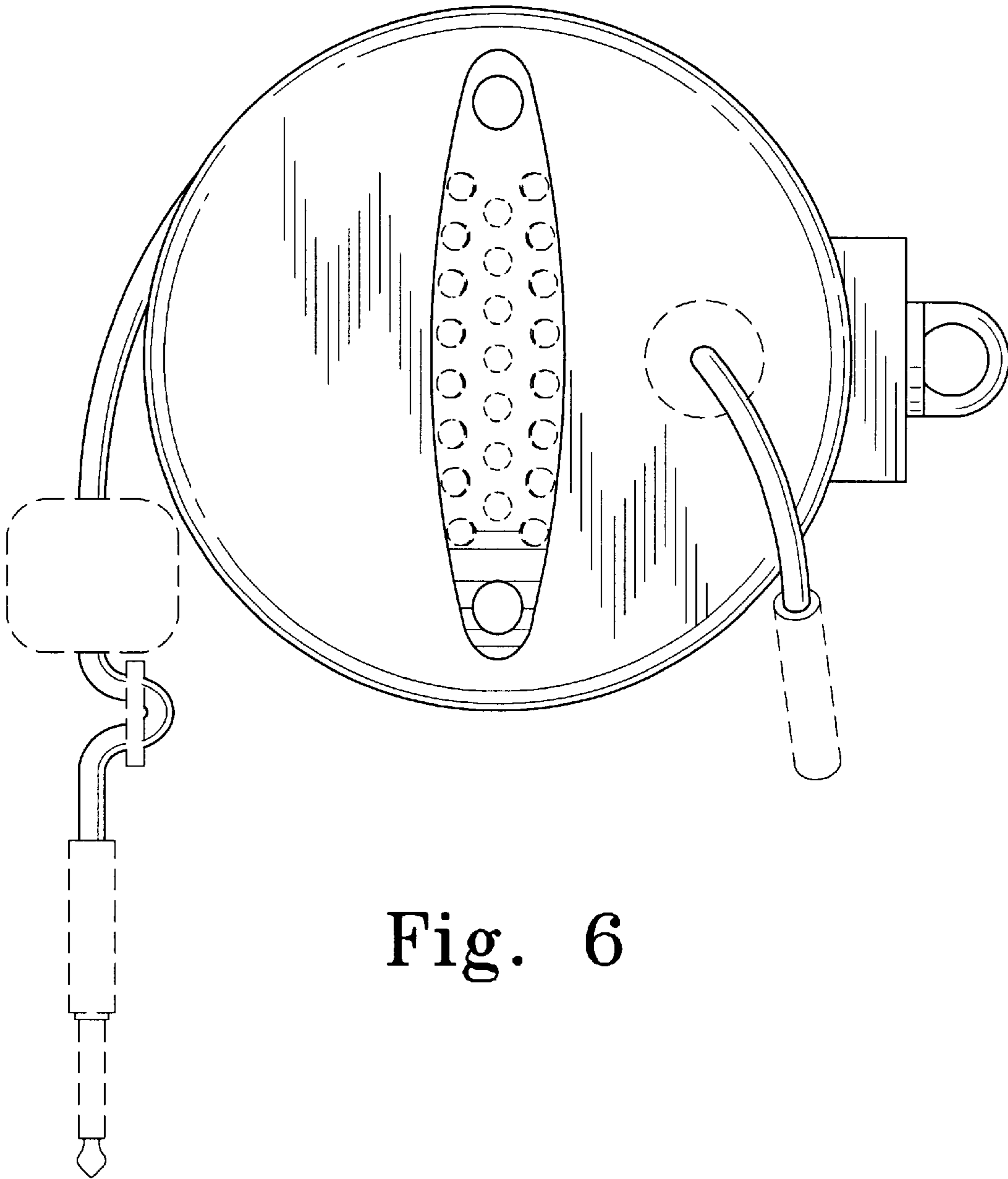


Fig. 6

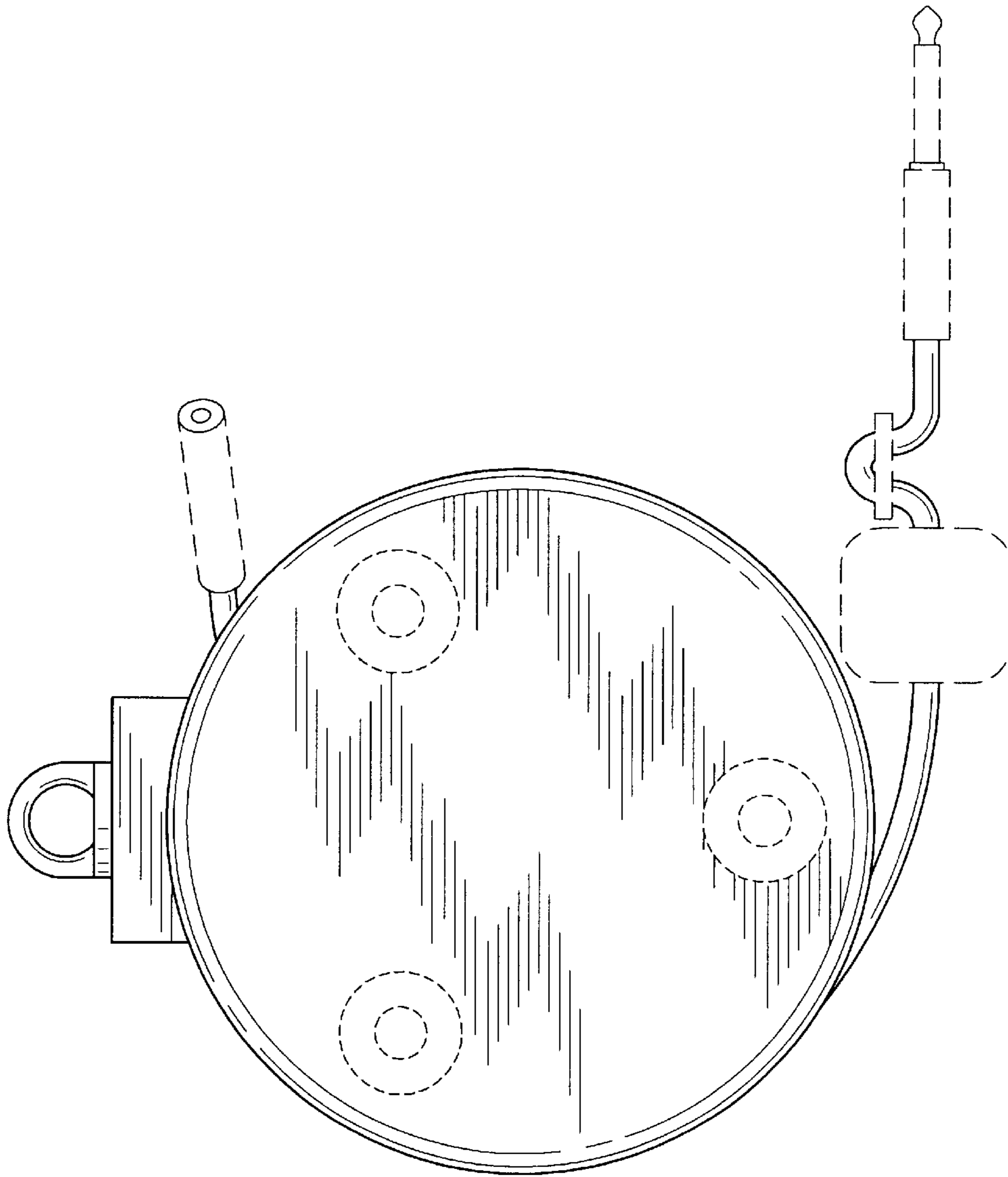


Fig. 7