



US00D527035S

(12) **United States Design Patent**
Nasu

(10) **Patent No.:** **US D527,035 S**

(45) **Date of Patent:** **** Aug. 22, 2006**

(54) **DIGITAL CAMERA**

(75) Inventor: **Miyoshi Nasu**, Tokyo (JP)

(73) Assignee: **PENTAX Corporation**, Tokyo (JP)

(**) Term: **14 Years**

(21) Appl. No.: **29/225,367**

(22) Filed: **Mar. 16, 2005**

(30) **Foreign Application Priority Data**

Sep. 27, 2004 (JP) 2004-028997

(51) **LOC (8) Cl.** **16-01**

(52) **U.S. Cl.** **D16/202**

(58) **Field of Classification Search** D16/200–205,
D16/208, 218, 219; 348/373–376; 358/909.1;
396/535–541

See application file for complete search history.

(56) **References Cited**

U.S. PATENT DOCUMENTS

6,434,337 B1 * 8/2002 Misawa 358/909.1

D484,157 S * 12/2003 Watanabe et al. D16/202

D493,185 S * 7/2004 Lo et al. D16/202

D494,990 S * 8/2004 Su et al. D16/202

D503,946 S * 4/2005 Chao et al. D16/202

D505,967 S * 6/2005 Ko et al. D16/218

D516,107 S * 2/2006 Kim D16/202

* cited by examiner

Primary Examiner—Adir Aronovich

(74) *Attorney, Agent, or Firm*—Sughrue Mion, PLLC

(57) **CLAIM**

The ornamental design for a digital camera, as shown.

DESCRIPTION

FIG. 1 is a perspective view of the top, front and right side of a digital camera showing my new design;

FIG. 2 is a perspective view of the top, rear and left side thereof;

FIG. 3 is a top plan view thereof;

FIG. 4 is a front elevational view thereof;

FIG. 5 is a left side elevational view thereof;

FIG. 6 is a right side elevational view thereof;

FIG. 7 is a rear elevational view thereof; and,

FIG. 8 is a bottom plan view thereof.

1 Claim, 5 Drawing Sheets

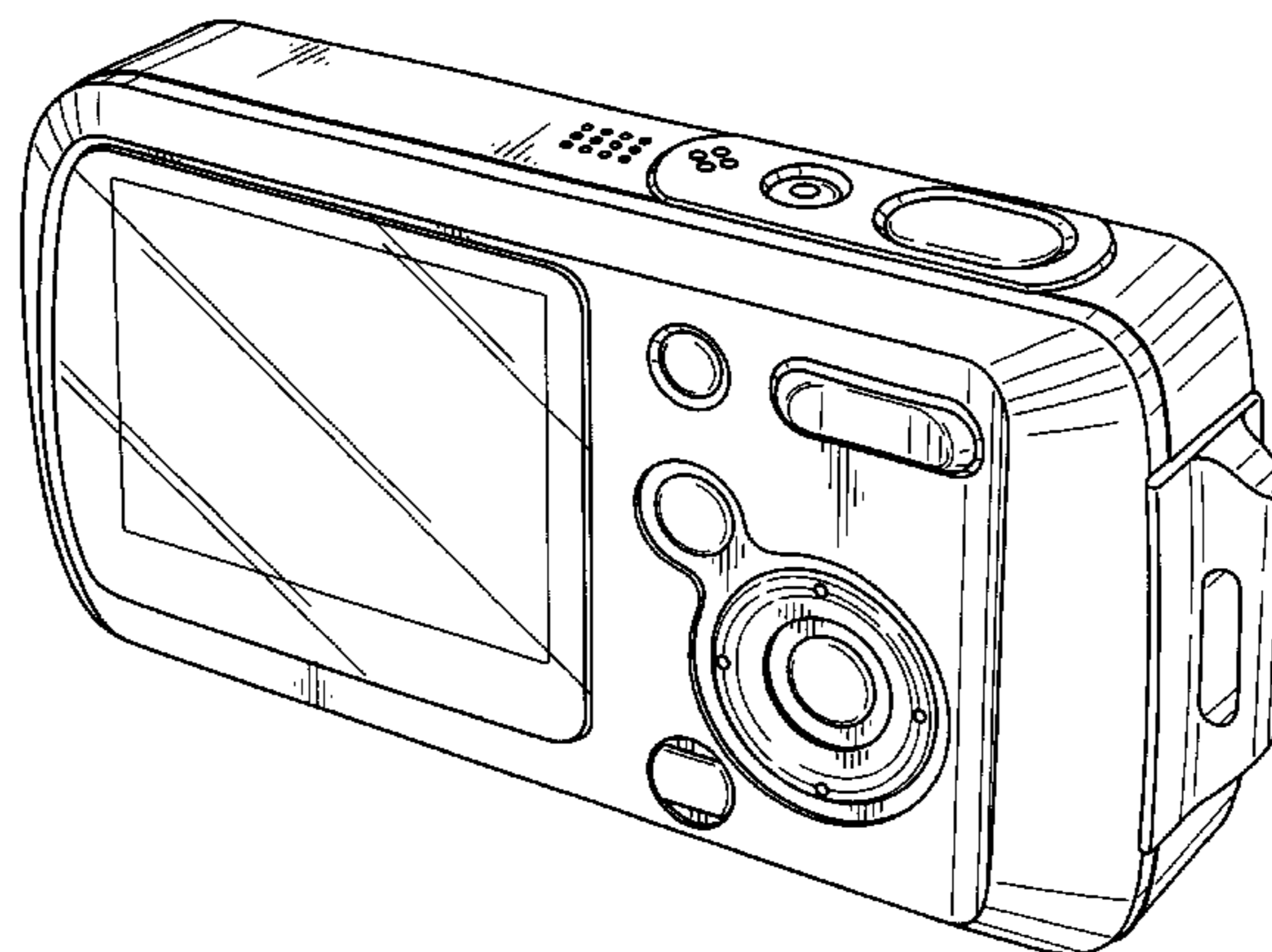
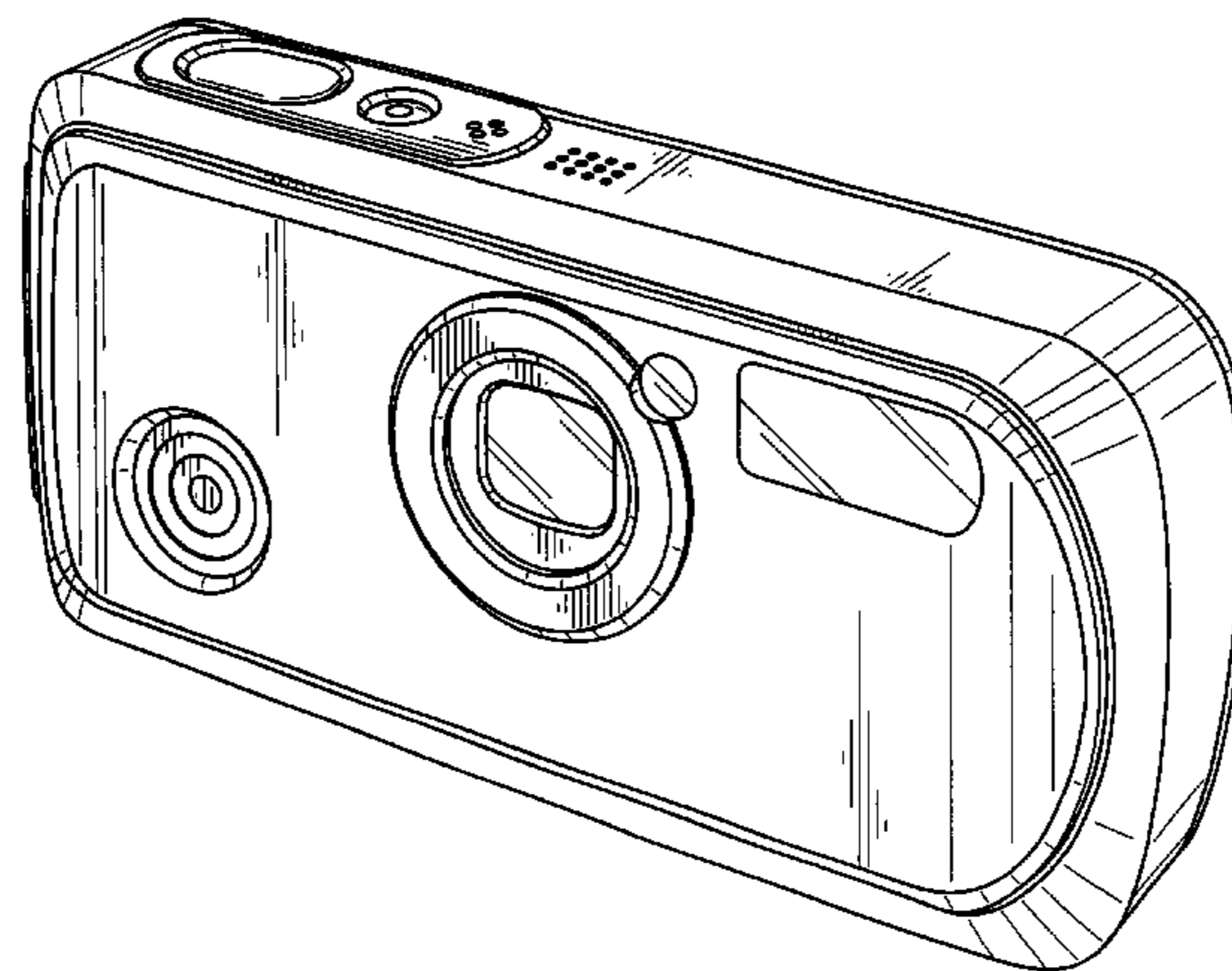


FIG. 1

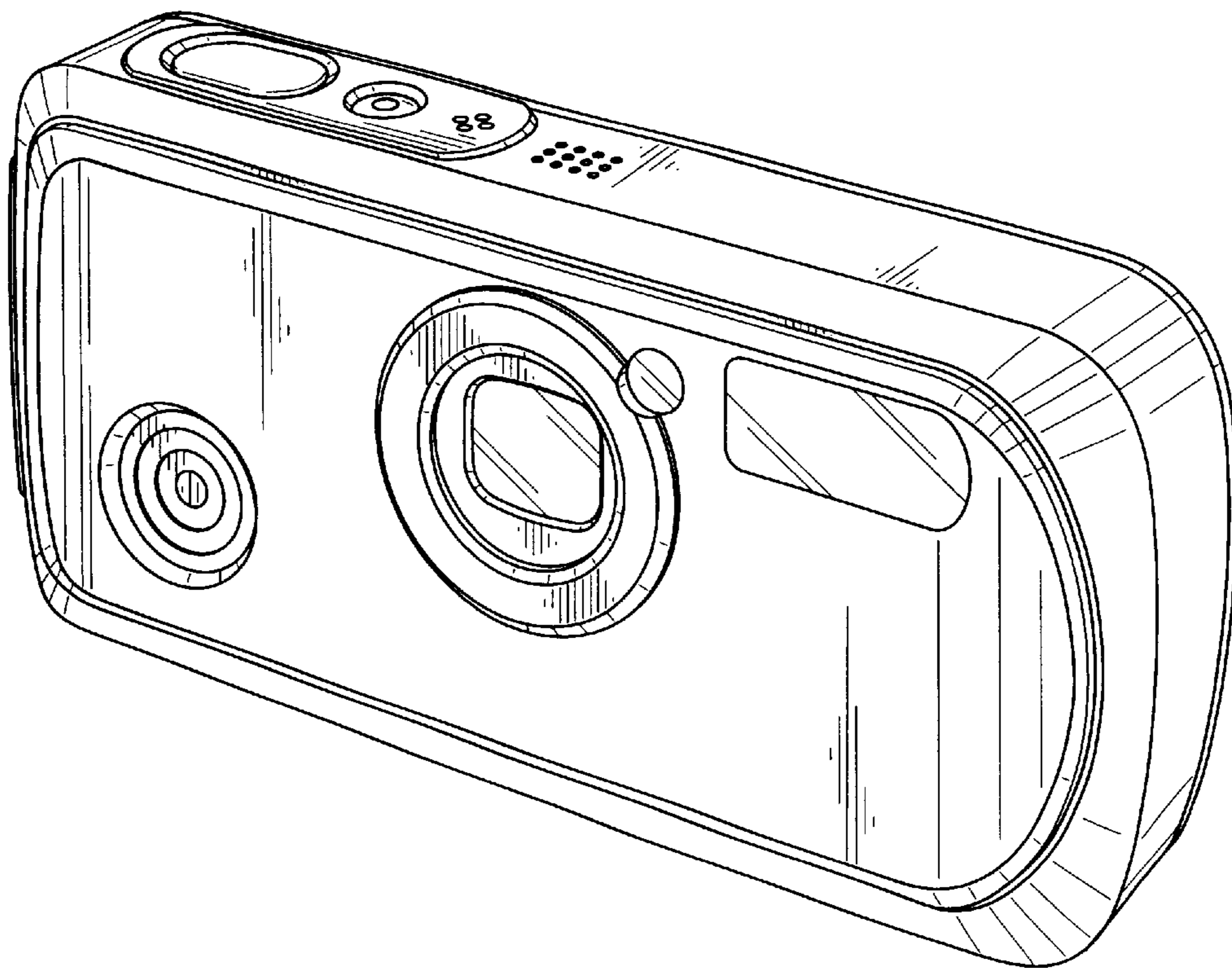


FIG. 2

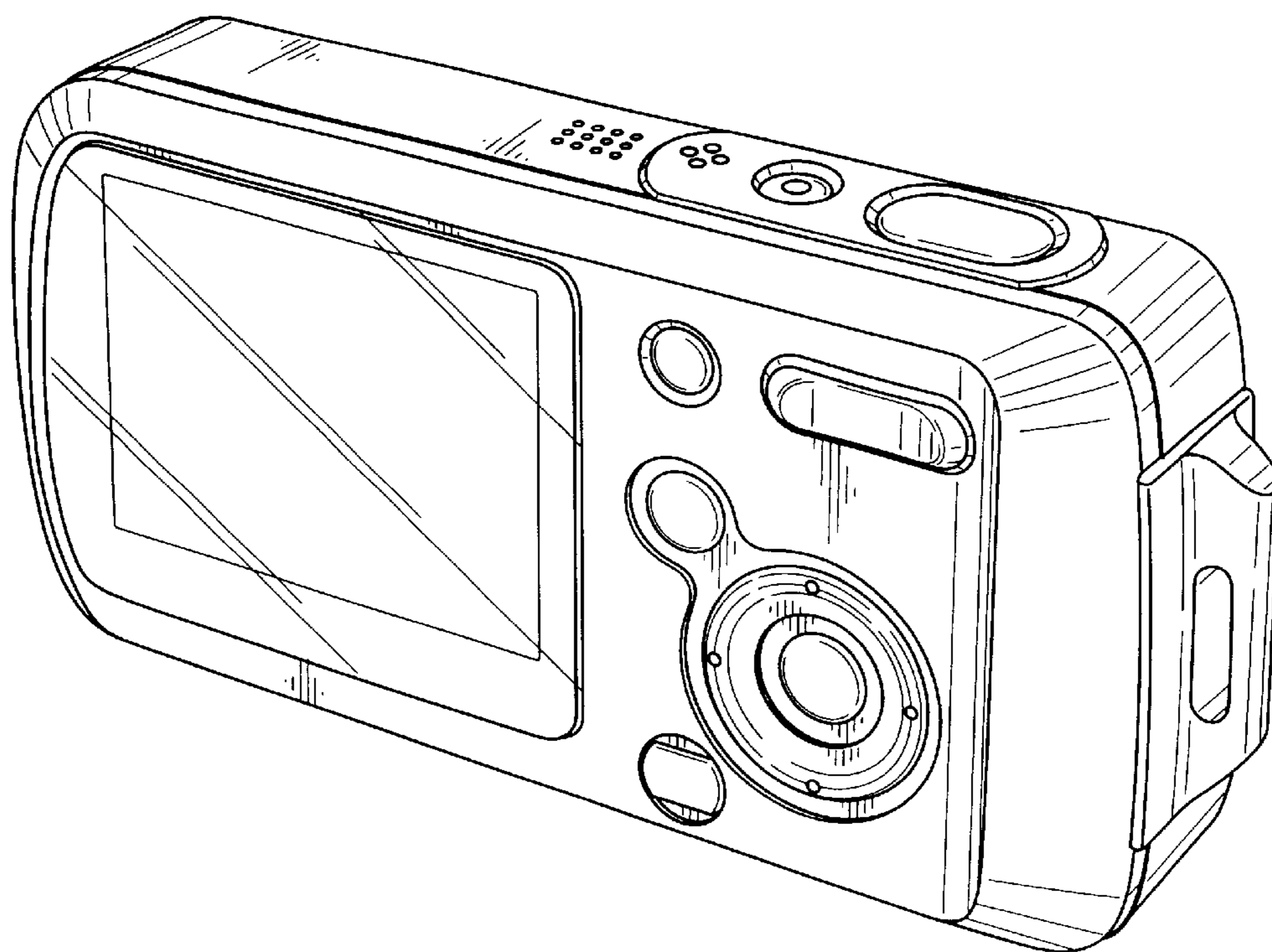


FIG. 3

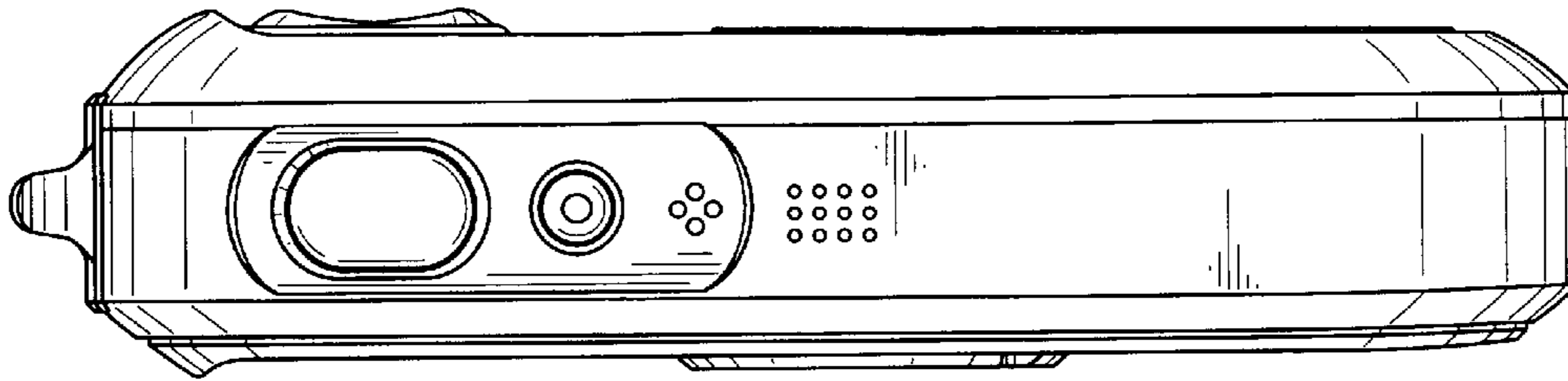


FIG. 4

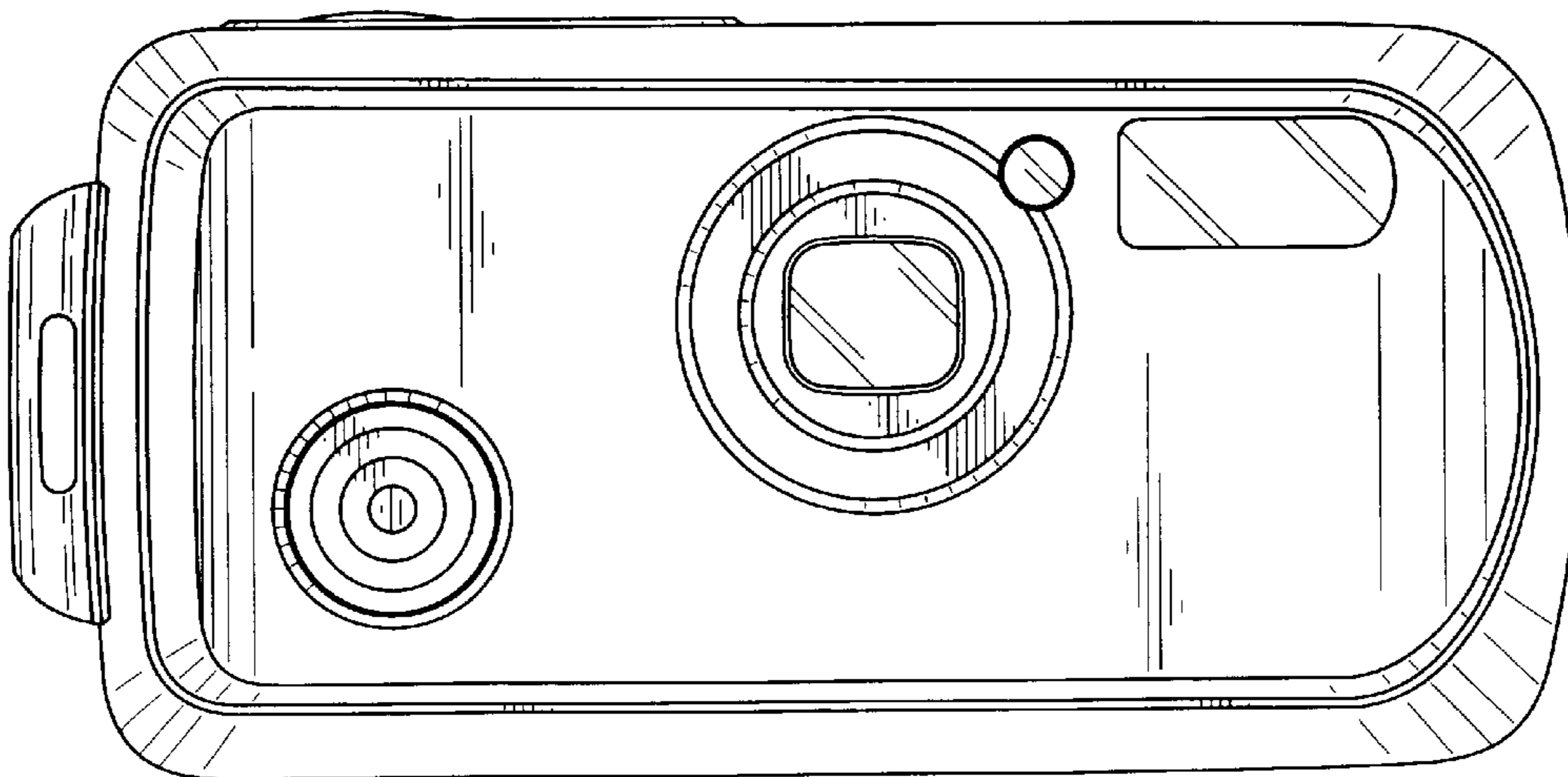


FIG. 5

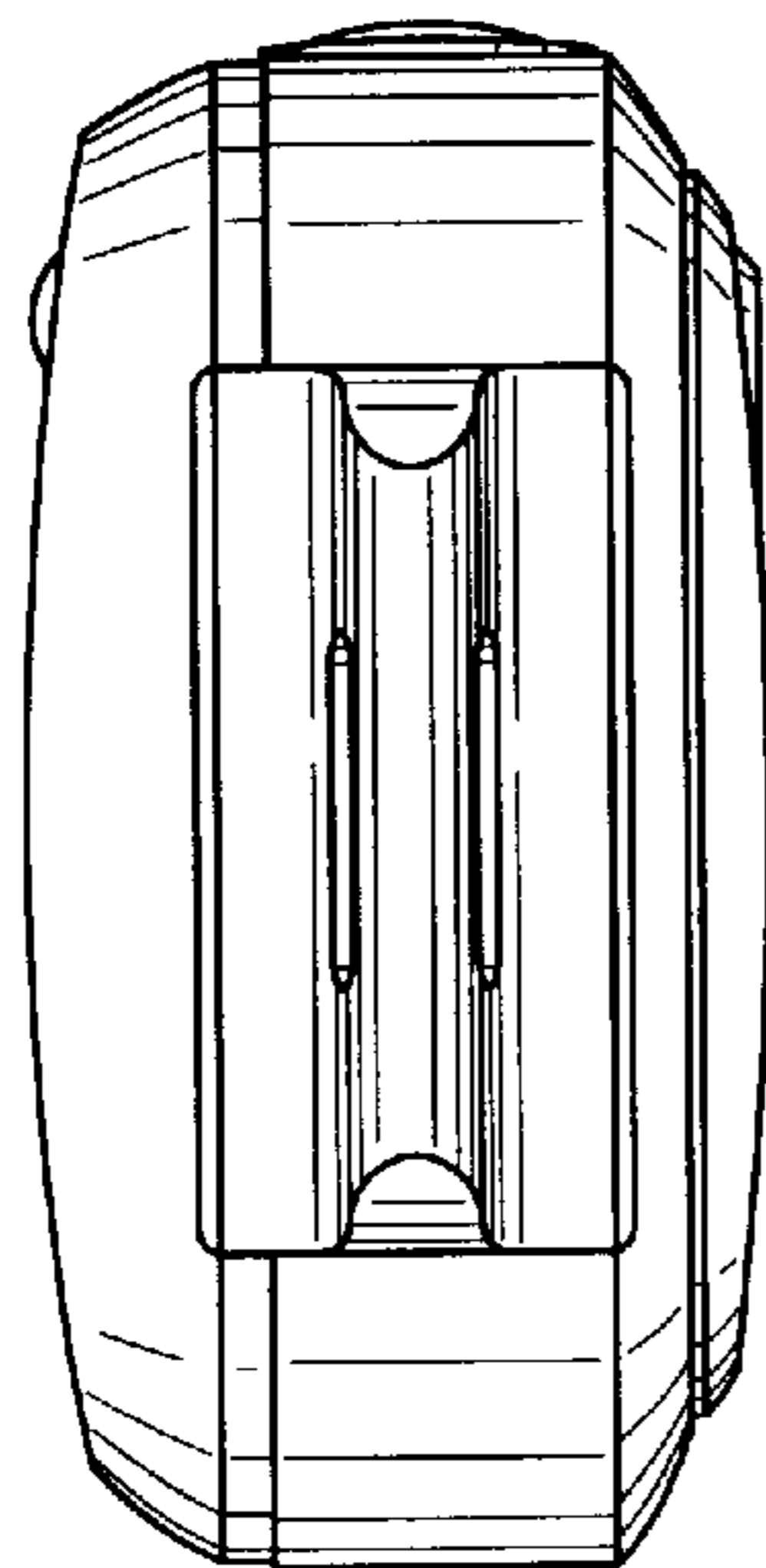


FIG. 6



FIG. 7

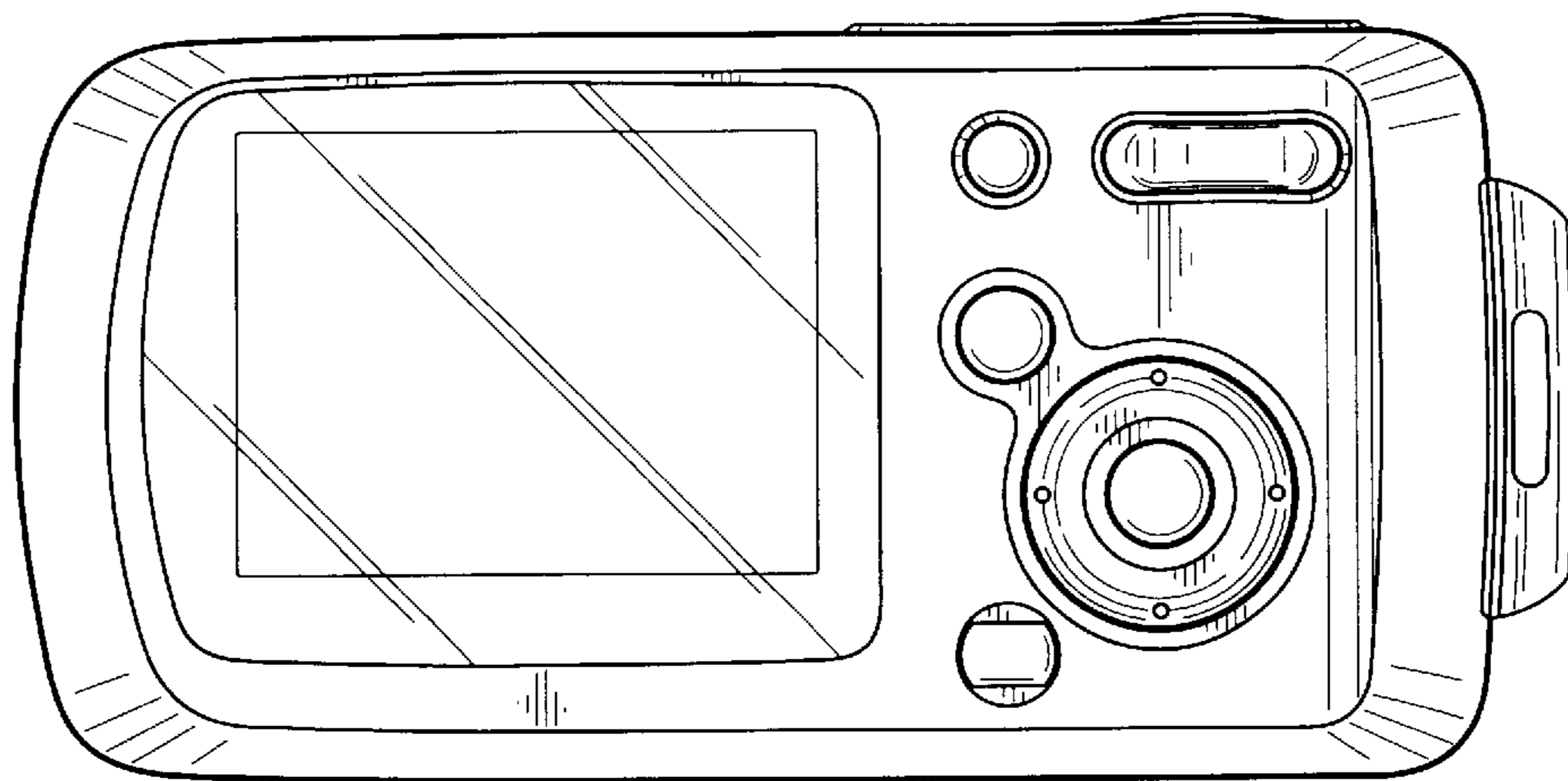


FIG. 8

