



US00D527033S

(12) **United States Design Patent**
Kawaguchi

(10) **Patent No.:** **US D527,033 S**

(45) **Date of Patent:** **** Aug. 22, 2006**

(54) **ROBOT**

(75) Inventor: **Kiyomi Kawaguchi**, Tokyo (JP)

(73) Assignee: **Janome Sewing Machine Company Limited**, Tokyo (JP)

(**) Term: **14 Years**

(21) Appl. No.: **29/210,742**

(22) Filed: **Aug. 6, 2004**

(30) **Foreign Application Priority Data**

Feb. 13, 2004 (JP) 2004-003736

(51) **LOC (8) Cl.** **15-99**

(52) **U.S. Cl.** **D15/199**

(58) **Field of Classification Search** D15/199;
74/89.17, 422, 462, 465; 384/7, 45, 44, 15;
394/43

See application file for complete search history.

(56) **References Cited**

U.S. PATENT DOCUMENTS

D301,891 S * 6/1989 Hill et al. D15/199

4,998,442 A * 3/1991 Brown et al. 74/89.17
D354,297 S * 1/1995 Pokorny D15/199
5,702,189 A * 12/1997 Mizutani et al. 400/328
D494,988 S * 8/2004 Tanaka et al. D15/199

* cited by examiner

Primary Examiner—Antoine D. Davis

Assistant Examiner—Patricia Palasik

(74) *Attorney, Agent, or Firm*—Jacobson Holman PLLC

(57) **CLAIM**

The ornamental design for a robot, as shown and described.

DESCRIPTION

FIG. 1 is a front perspective view showing my new design for a robot,

FIG. 2 is a front view thereof;

FIG. 3 is a rear view thereof;

FIG. 4 is a right side view thereof;

FIG. 5 is a left side view thereof;

FIG. 6 is a top view thereof; and,

FIG. 7 is a bottom view thereof.

1 Claim, 7 Drawing Sheets

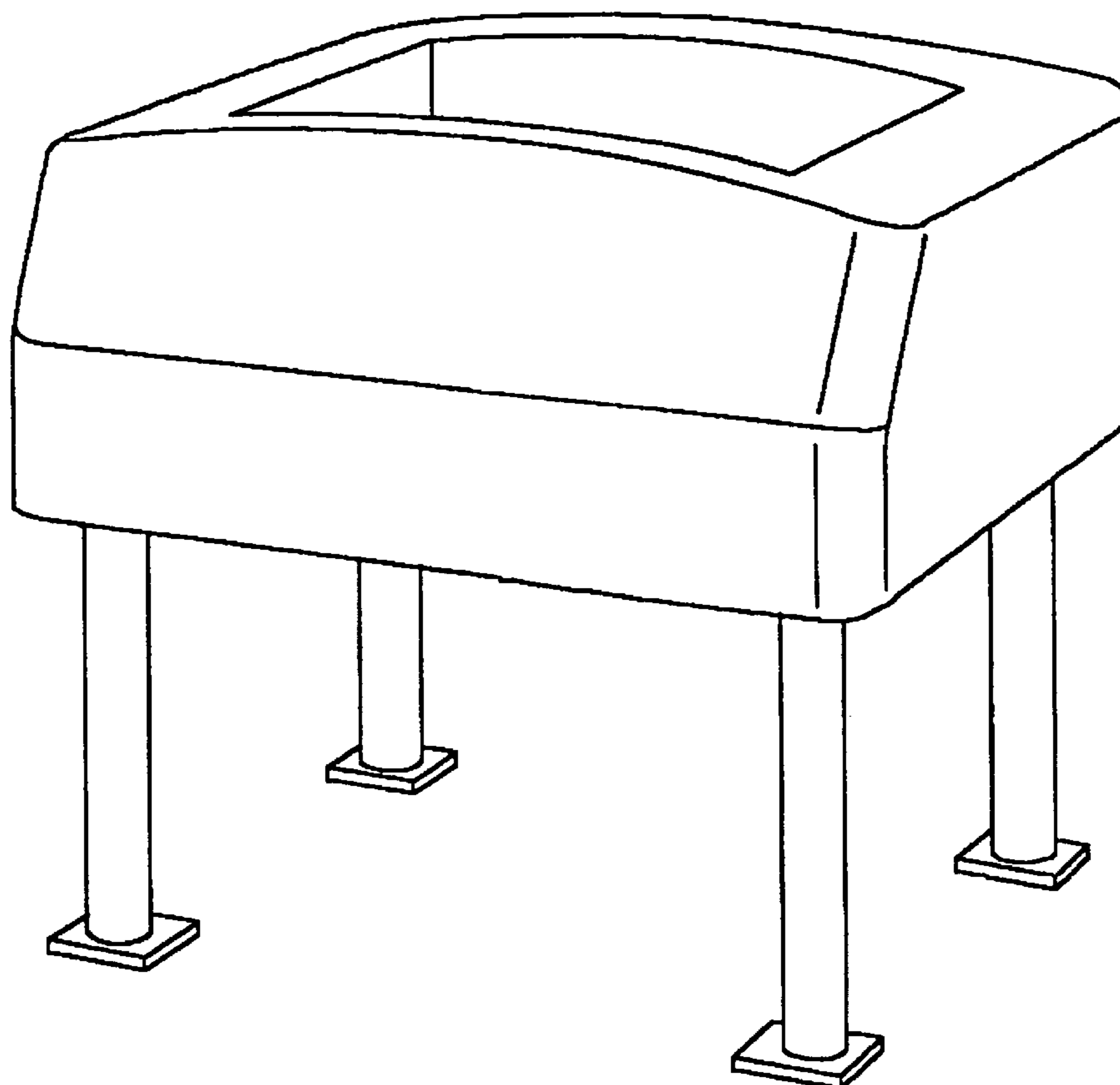


FIG. 1

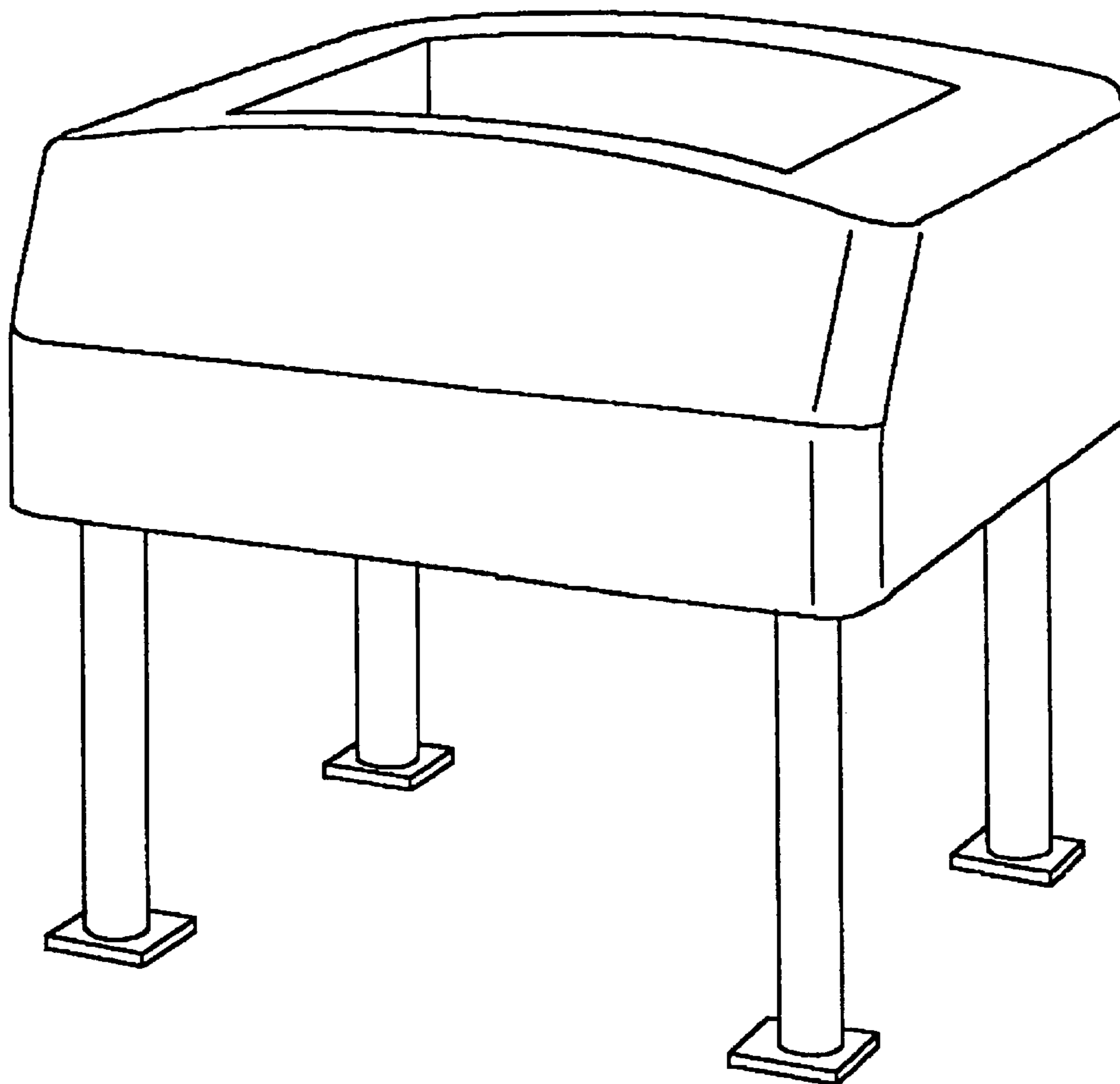


FIG. 2

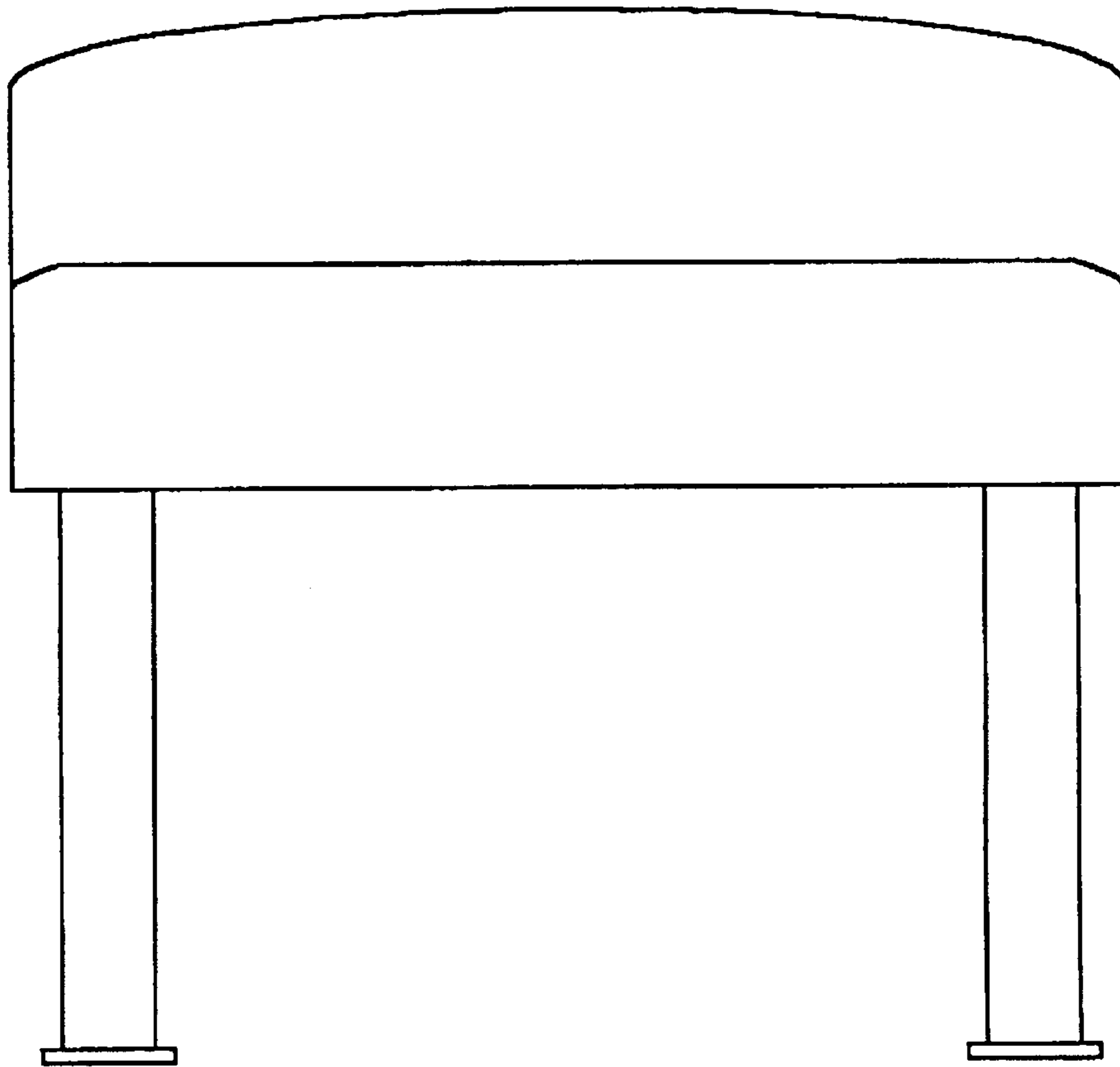


FIG. 3

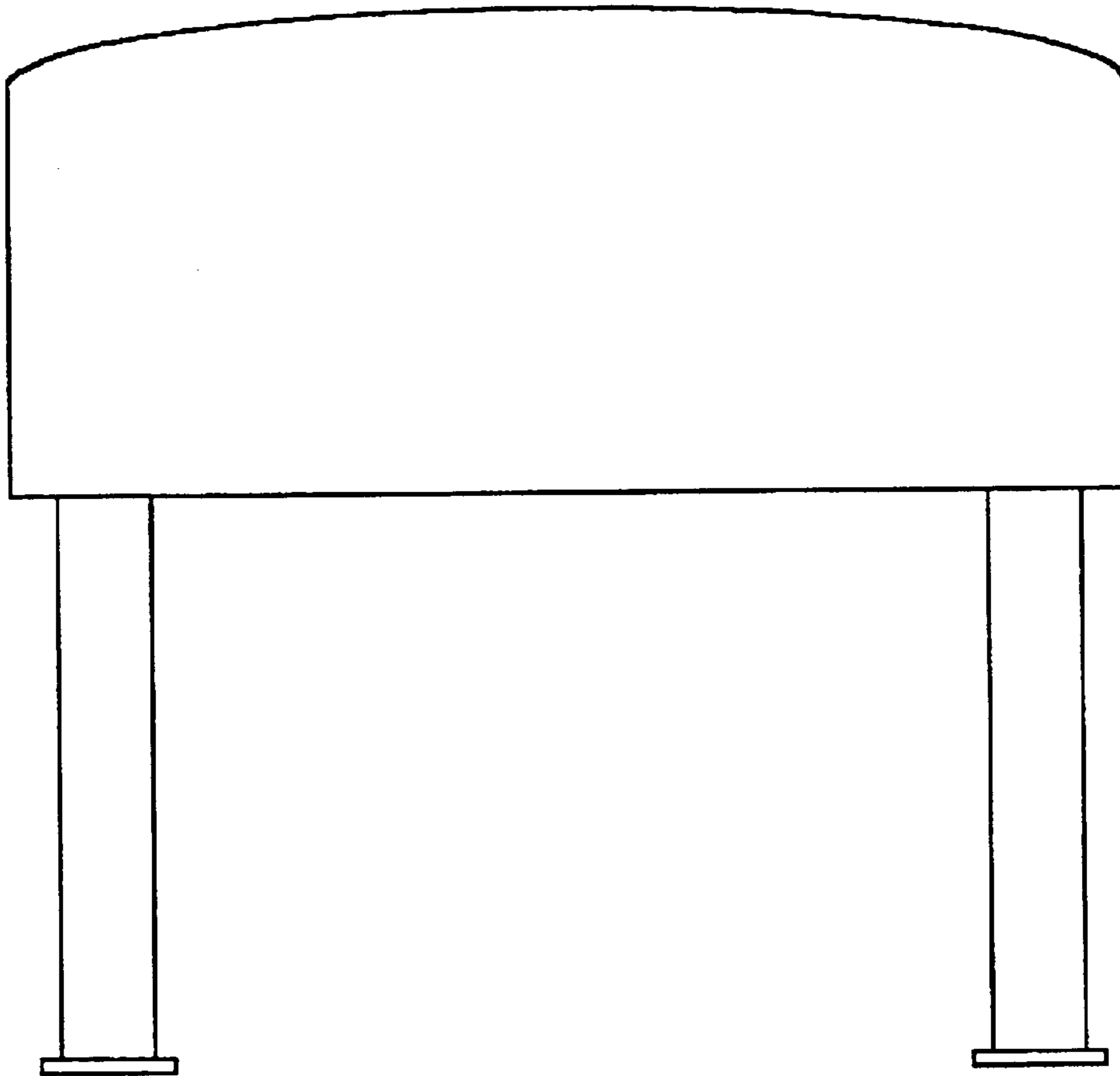


FIG. 4

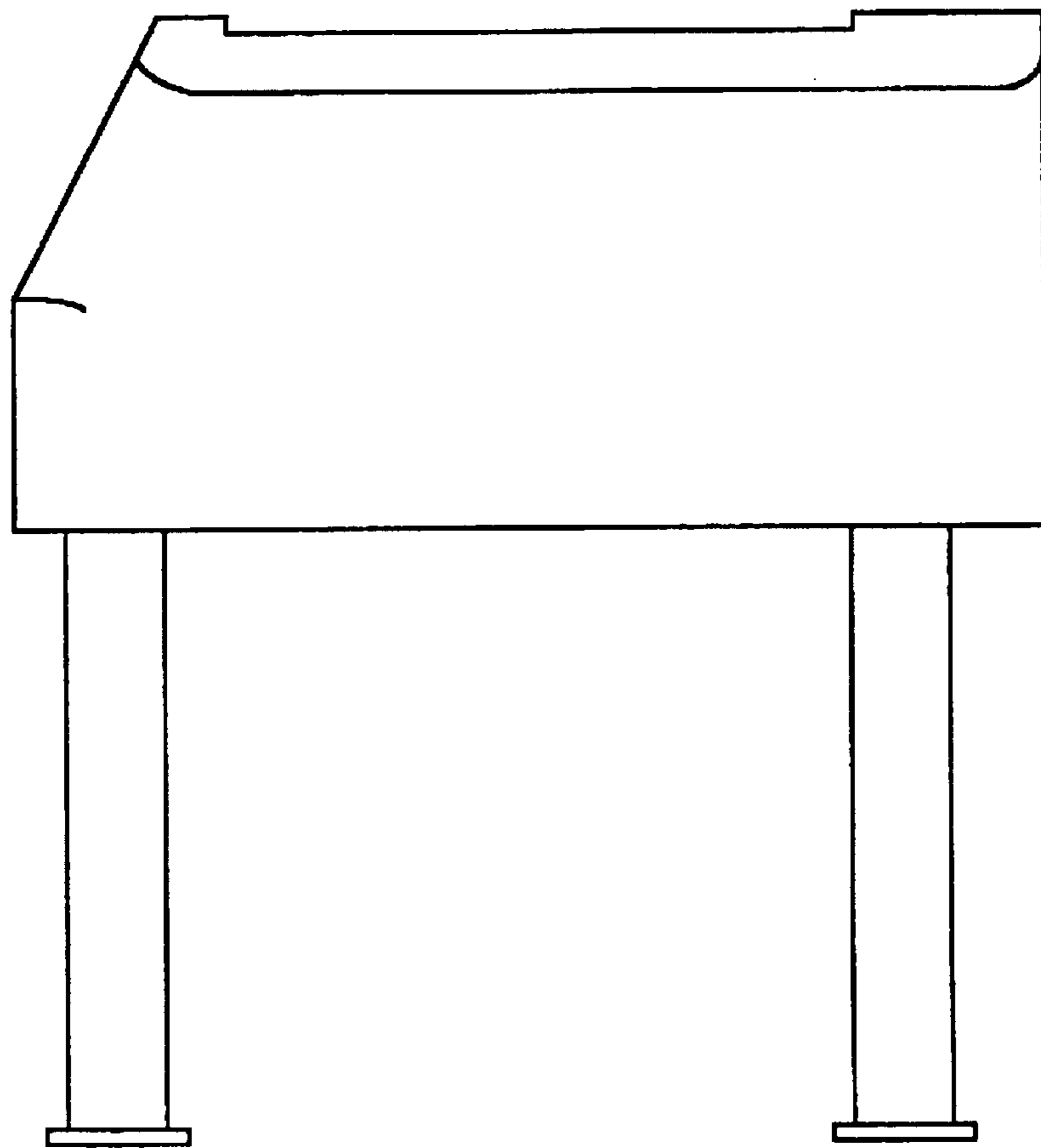


FIG. 5

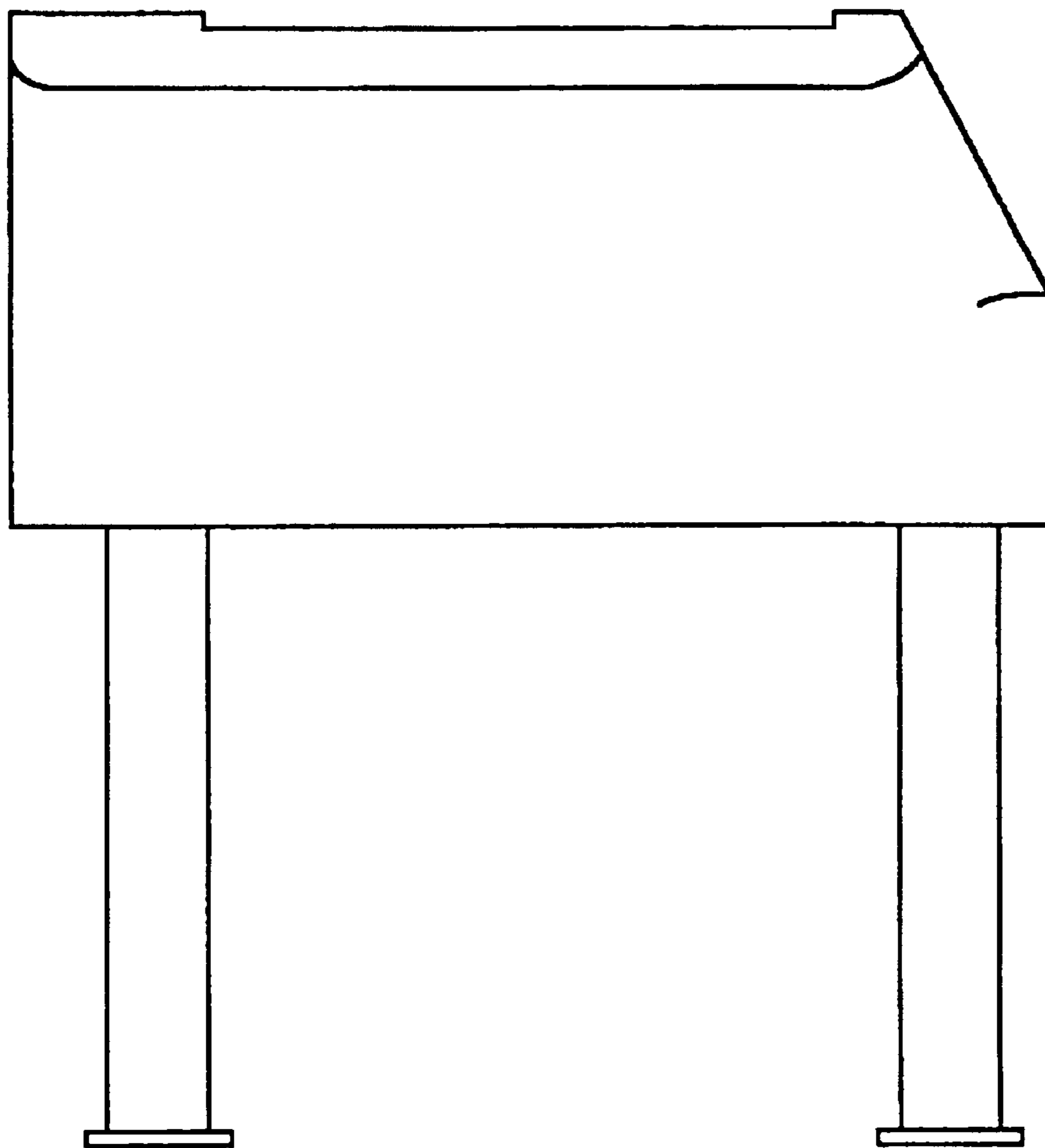


FIG. 6

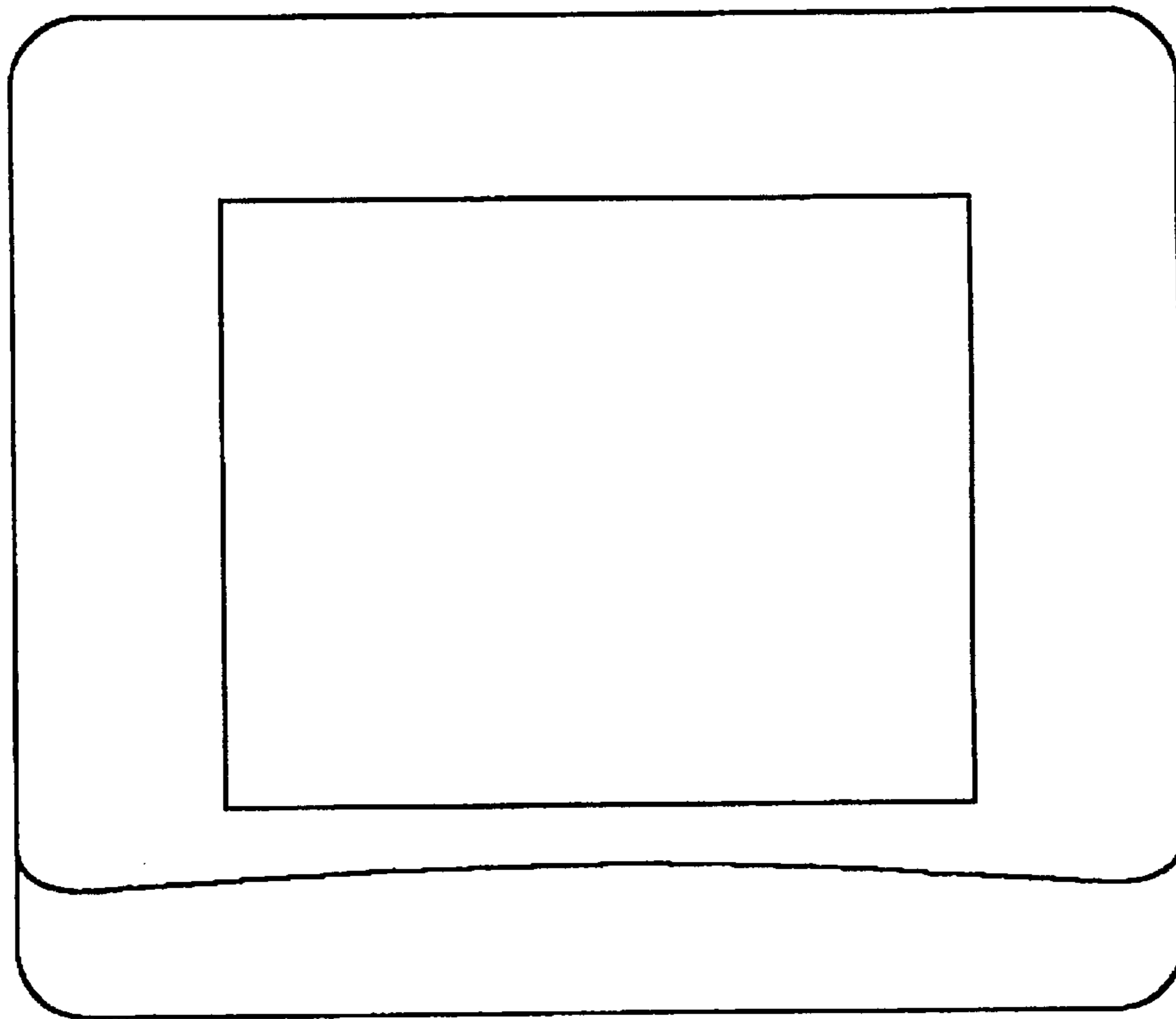


FIG. 7

