

US00D527032S

(12) **United States Design Patent**
Welsh et al.

(10) **Patent No.:** **US D527,032 S**

(45) **Date of Patent:** **** Aug. 22, 2006**

(54) **PORTIONS OF A TABLE SAW**

(75) Inventors: **Robert P. Welsh**, Hunt Valley, MD (US); **David E. Duncanson**, W. Newbury, MA (US); **Mark A. Nichols**, Boston, MA (US); **Scott E. Stropkay**, Carlisle, MA (US)

(73) Assignee: **Black & Decker Inc.**, Newark, DE (US)

(**) Term: **14 Years**

(21) Appl. No.: **29/237,347**

(22) Filed: **Aug. 30, 2005**

Related U.S. Application Data

(63) Continuation of application No. 29/214,902, filed on Oct. 12, 2004, now Pat. No. Des. 514,604, and a continuation of application No. 29/183,330, filed on Jun. 10, 2003, now Pat. No. Des. 498,773, which is a continuation of application No. 29/162,688, filed on Jun. 19, 2002, now Pat. No. Des. 479,538, which is a continuation of application No. 29/144,360, filed on Jun. 29, 2001, now Pat. No. Des. 461,456, which is a continuation of application No. 29/132,607, filed on Nov. 9, 2000, now Pat. No. Des. 447,497, which is a continuation of application No. 29/121,606, filed on Apr. 11, 2000, now Pat. No. Des. 440,239, which is a continuation of application No. 29/111,726, filed on Oct. 1, 1999, now Pat. No. Des. 427,214, which is a continuation of application No. 29/103,366, filed on Apr. 13, 1999, now Pat. No. Des. 422,290.

(51) **LOC (8) Cl.** **15-09**

(52) **U.S. Cl.** **D15/133**

(58) **Field of Classification Search** D15/133;
83/432, 435, 468.7, 468.3, 477, 477.2, 478;
144/287

See application file for complete search history.

(56) **References Cited**

U.S. PATENT DOCUMENTS

4,543,866 A * 10/1985 Maier et al. 83/471.3
5,024,257 A * 6/1991 Lloyd 144/1.1
5,179,886 A * 1/1993 Rathje, Jr. 83/471.3
2005/0217446 A1 * 10/2005 Brazell et al. 83/477.2

* cited by examiner

Primary Examiner—Antoine D. Davis

(74) *Attorney, Agent, or Firm*—Adan Ayala

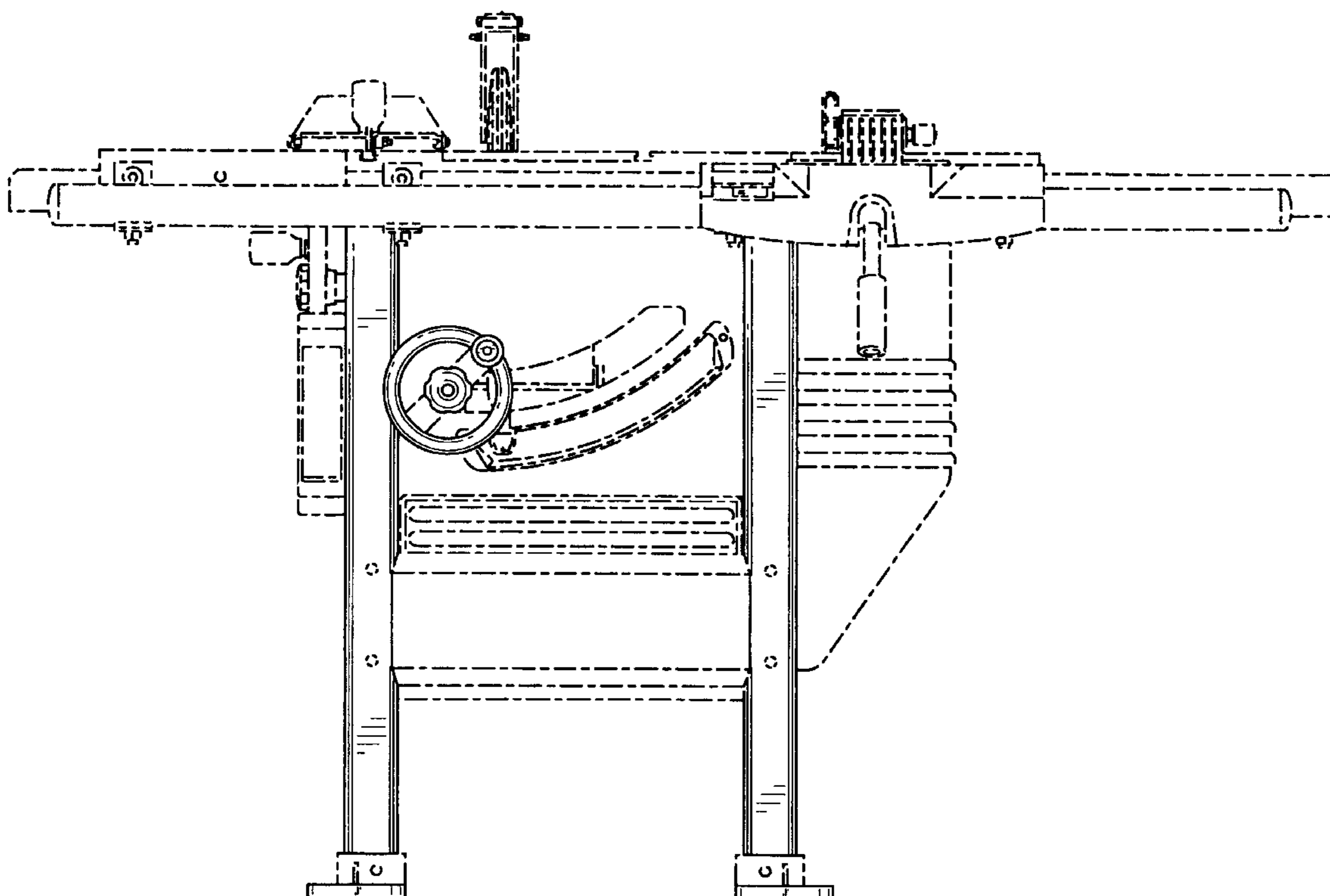
(57) **CLAIM**

The ornamental design for portions of a table saw, as shown and described.

DESCRIPTION

FIG. 1 is a front elevational view of portions of a table saw according to the invention;
FIG. 2 is a left side elevational view thereof;
FIG. 3 is a right side elevational view thereof; and,
FIG. 4 is a front perspective view thereof.
The broken line showing of a table saw is for illustrative purposes only and forms no part of the claimed design.

1 Claim, 4 Drawing Sheets



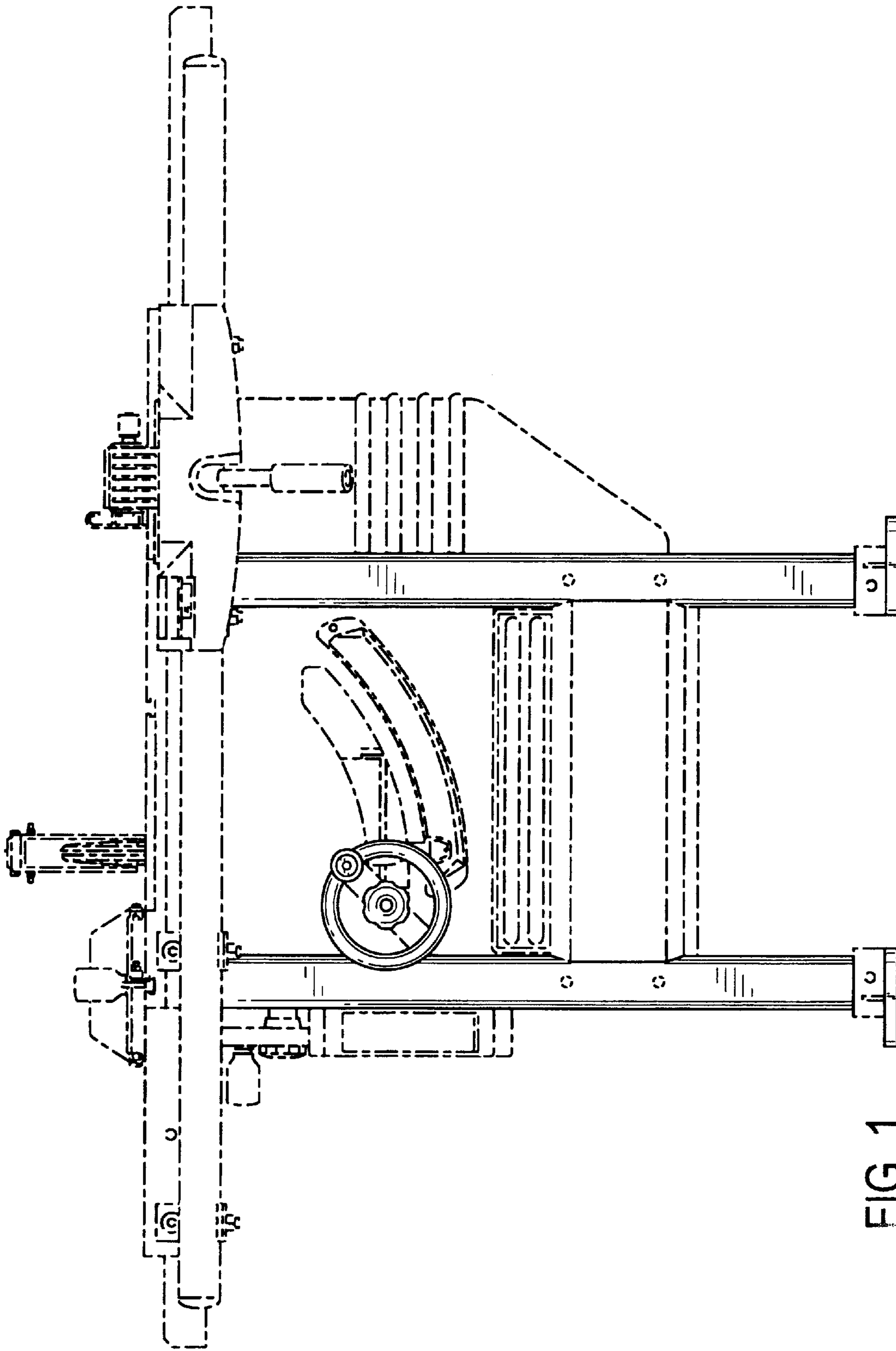


FIG. 1

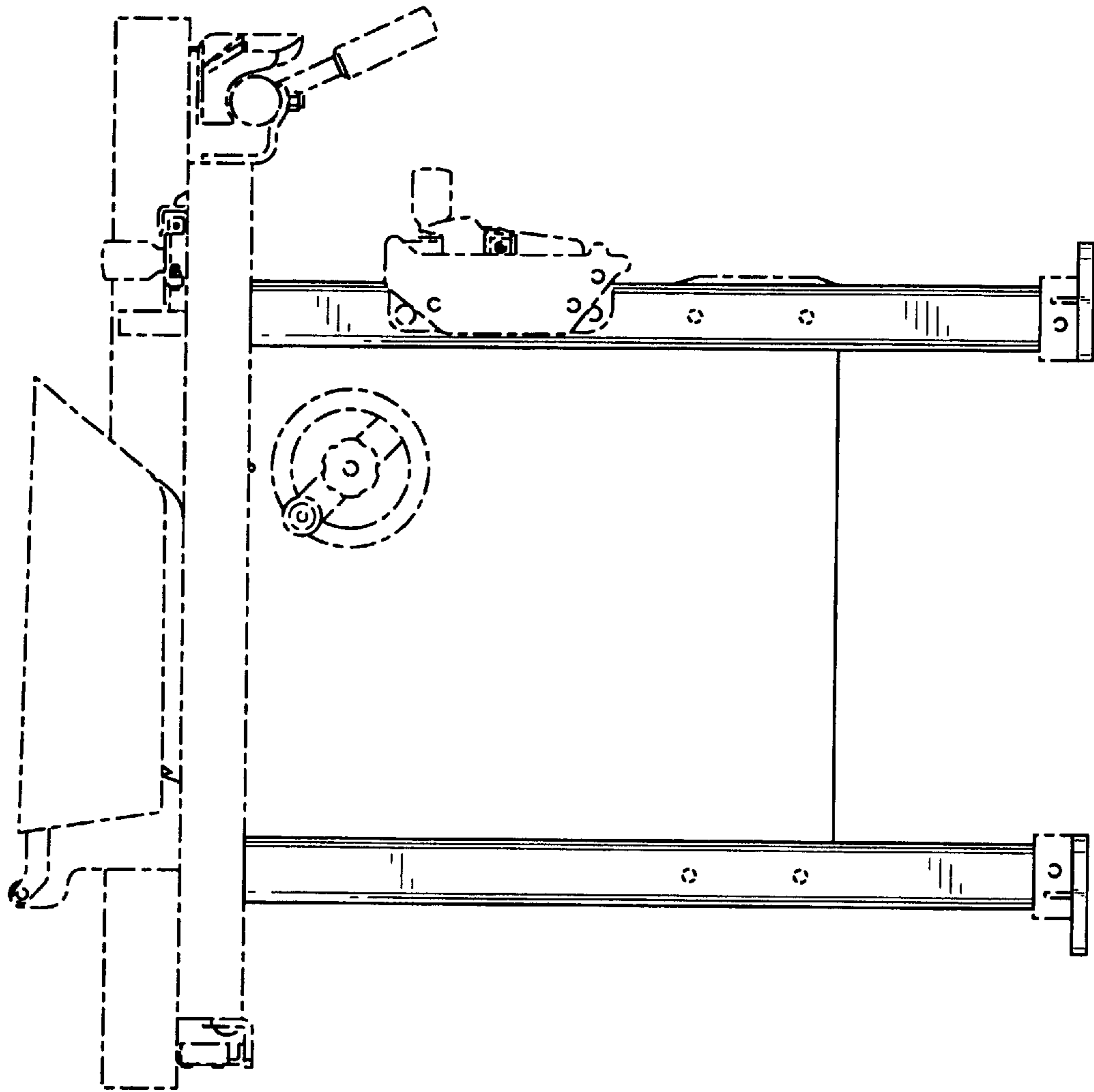


FIG. 2

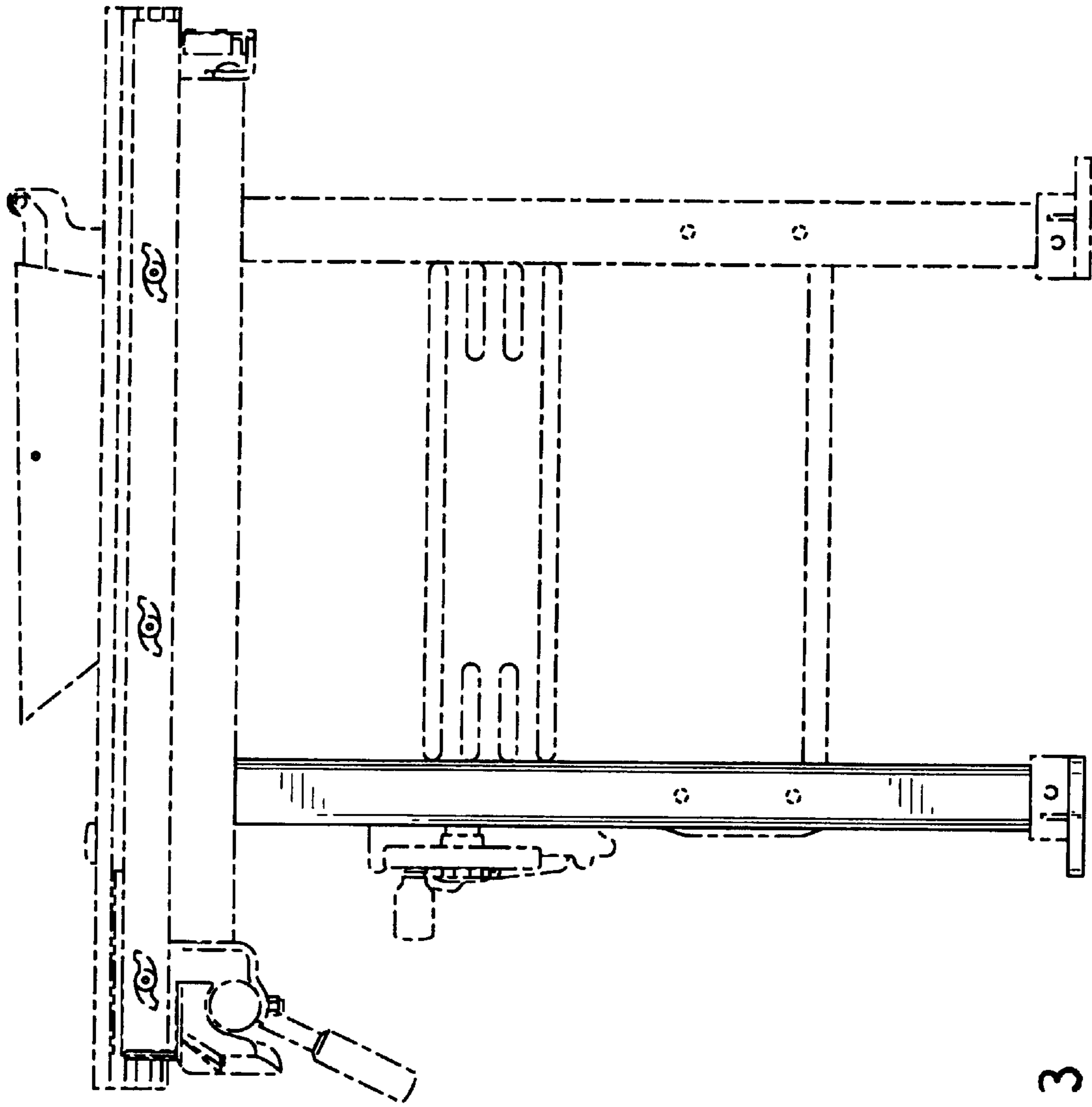


FIG. 3

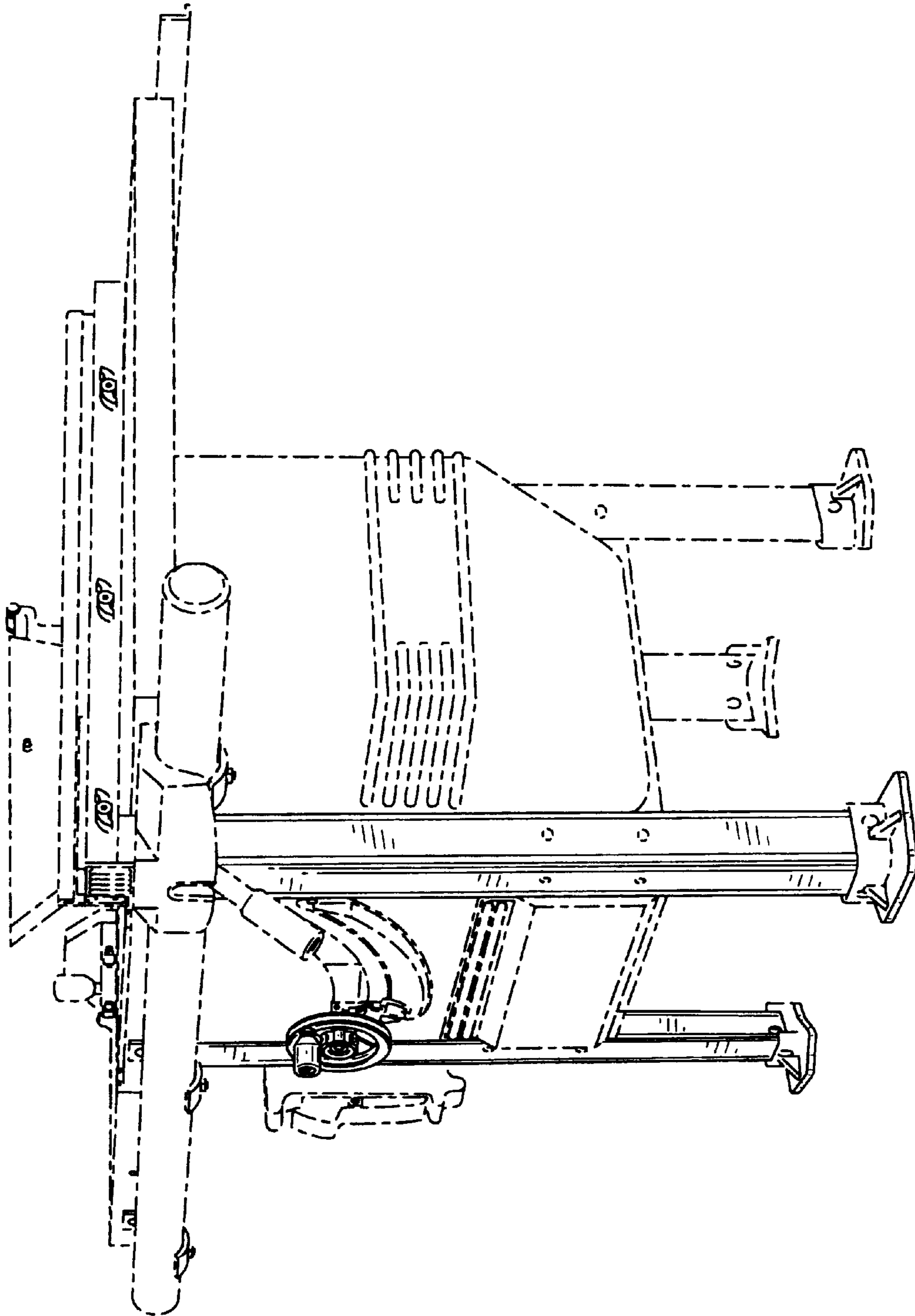


FIG. 4