



US00D527028S

(12) **United States Design Patent**
Ford

(10) **Patent No.:** **US D527,028 S**

(45) **Date of Patent:** **** Aug. 22, 2006**

(54) **DUAL CARRIER FOR SPREADERS**

(76) **Inventor:** **Christopher G. Ford**, 95 Leeds St.,
Worcester, MA (US) 01606

(**) **Term:** **14 Years**

(21) **Appl. No.:** **29/230,394**

(22) **Filed:** **May 20, 2005**

(51) **LOC (8) Cl.** **15-03**

(52) **U.S. Cl.** **D15/28**; D12/162

(58) **Field of Classification Search** D15/10,
D15/27, 28; D12/408, 414.1, 400, 406, 162;
224/488, 414, 400, 402, 521-525, 529, 530,
224/506, 510, 511, 532, 533, 537, 546, 405,
224/322, 324; 414/462; 296/3; 280/769; 108/44
See application file for complete search history.

(56) **References Cited**

U.S. PATENT DOCUMENTS

D239,194 S	*	3/1976	Borcherding	D15/32
D244,192 S	*	5/1977	Murray	D15/28
D250,764 S	*	1/1979	Hansen	D15/28
D314,543 S	*	2/1991	Ott et al.	D12/408
5,038,981 A	*	8/1991	McDaniel	224/512
5,586,702 A	*	12/1996	Sadler	224/521
D388,440 S	*	12/1997	Bentley	D15/13
D393,241 S	*	4/1998	Diotte	D12/408
6,095,387 A	*	8/2000	Lipscomb	224/485
D437,285 S	*	2/2001	McCoy et al.	D12/406
D476,272 S	*	6/2003	Shaver et al.	D12/162

D505,106 S	*	5/2005	Kuseske et al.	D12/406
D508,014 S	*	8/2005	Heravi	D12/406
D510,063 S	*	9/2005	Moser	D12/406
2003/0226867 A1	*	12/2003	Knizner	224/521

* cited by examiner

Primary Examiner—Stella Reid

Assistant Examiner—Mark Goodwin

(74) *Attorney, Agent, or Firm*—Bowditch & Dewey, LLP

(57) **CLAIM**

The ornamental design for a dual carrier for spreaders, as shown and described.

DESCRIPTION

FIG. 1 is a perspective view of a dual carrier for spreaders showing my new design;

FIG. 2 is a top plan view of the carrier of FIG. 1;

FIG. 3 is a bottom plan view of the carrier of FIG. 1;

FIG. 4 is a front elevational view of the carrier of FIG. 1;

FIG. 5 is a rear elevational view of the carrier of FIG. 1;

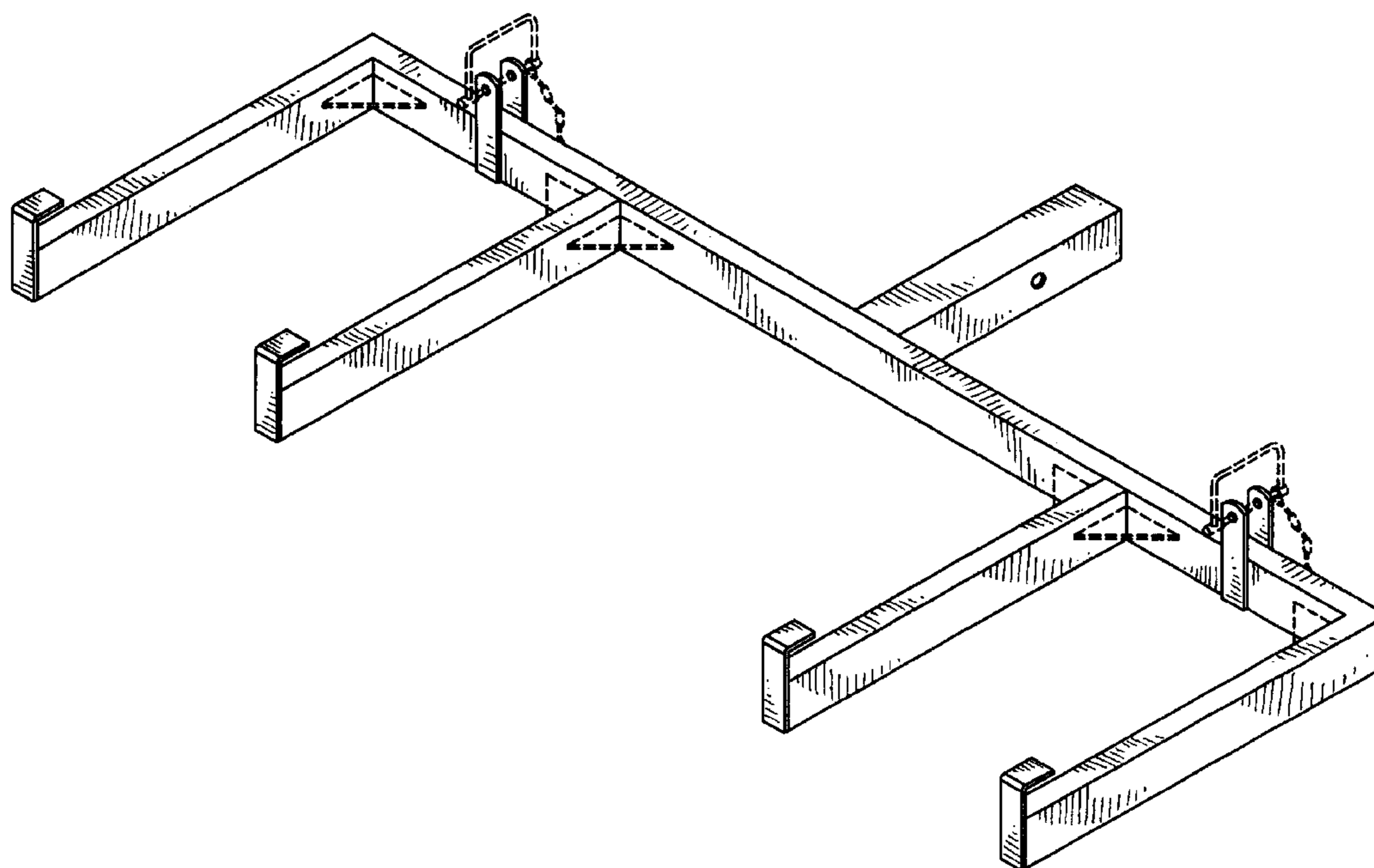
FIG. 6 is a left side elevational view of the carrier of FIG. 1;

FIG. 7 is a right side elevational view of the carrier of FIG. 1; and,

FIG. 8 is an alternate perspective view showing the carrier of FIG. 1 in use.

The portions shown in broken lines are included for illustrative purposes only and form no part of the claimed designs.

1 Claim, 5 Drawing Sheets



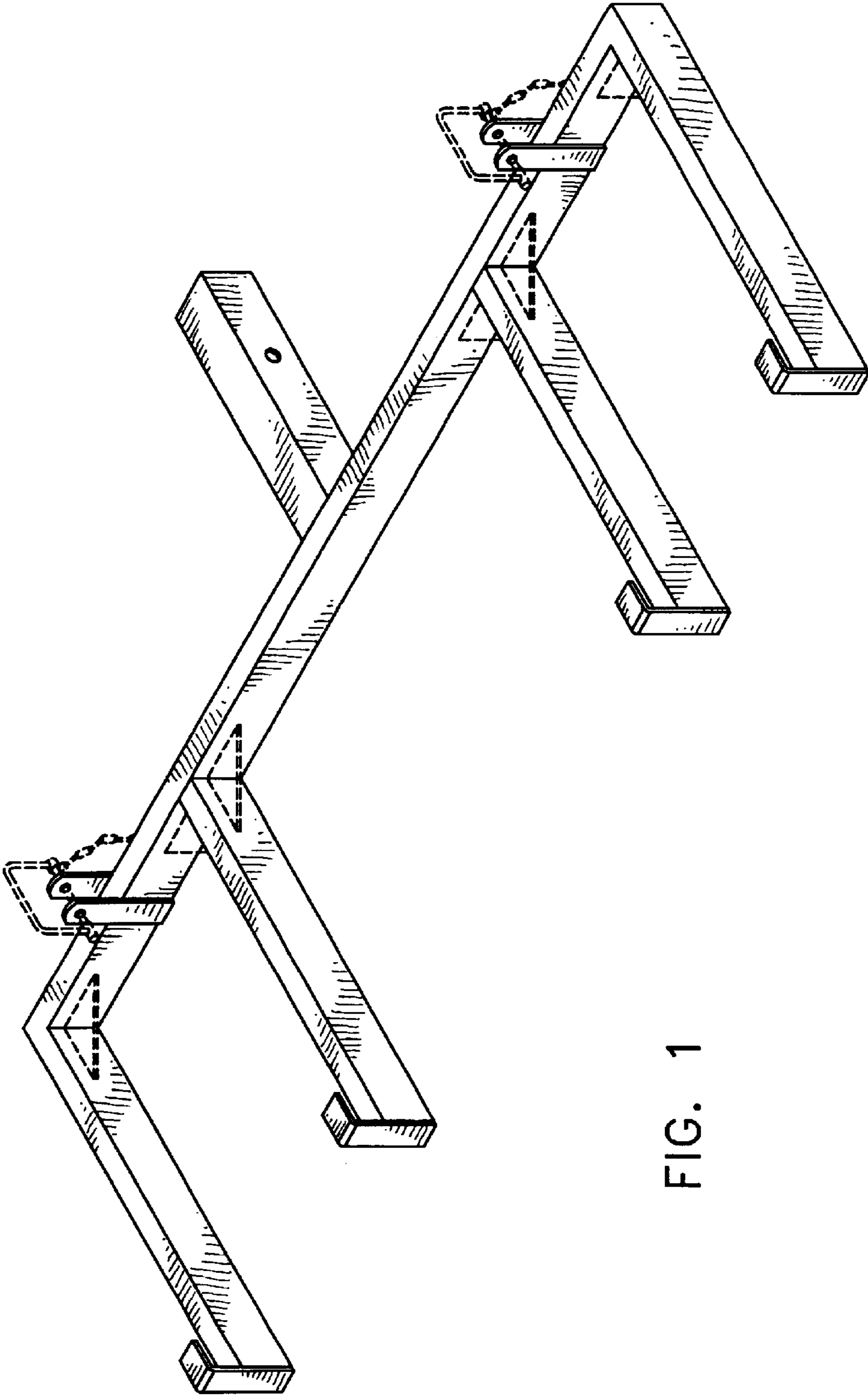


FIG. 1

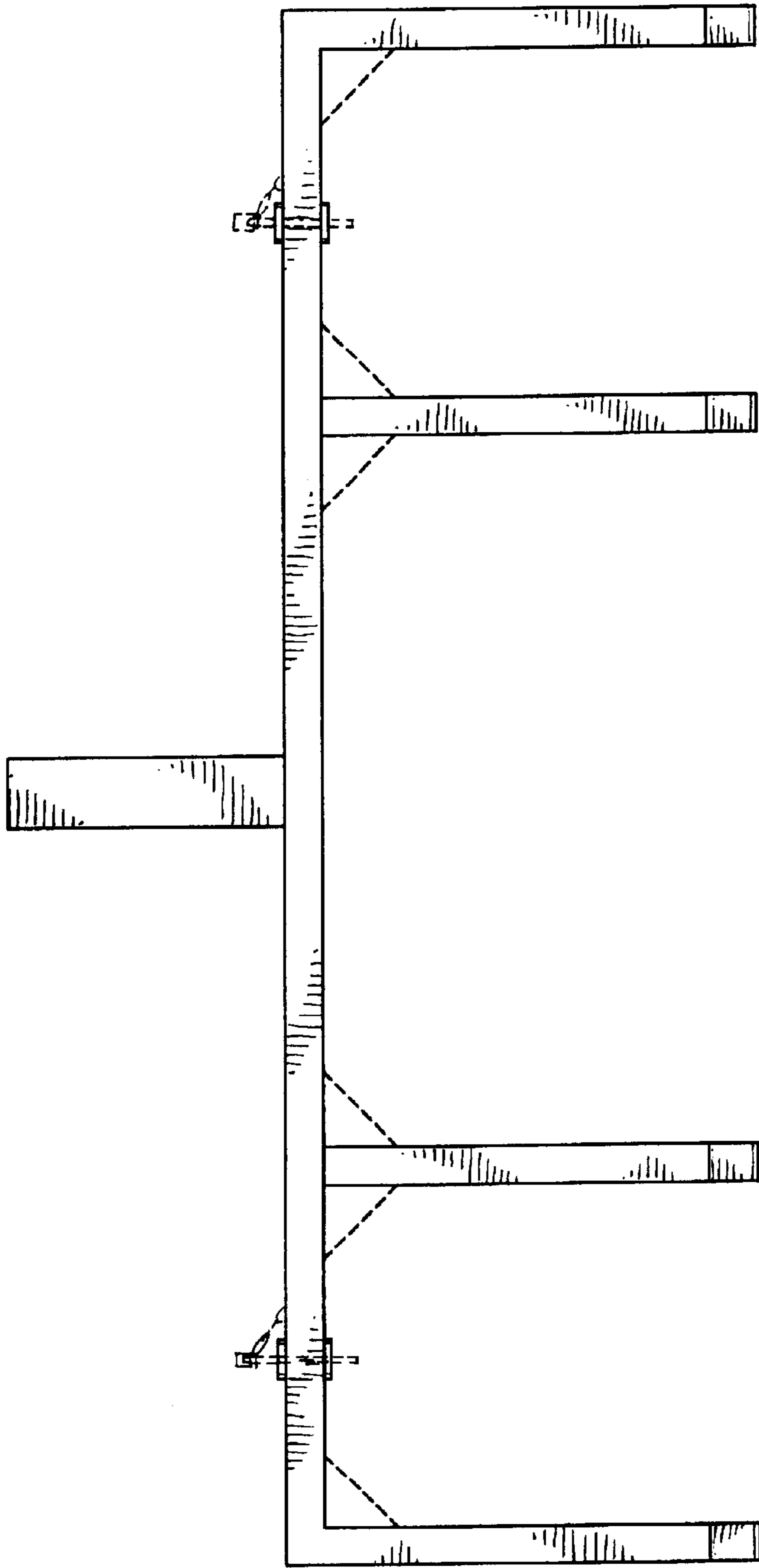


FIG. 2

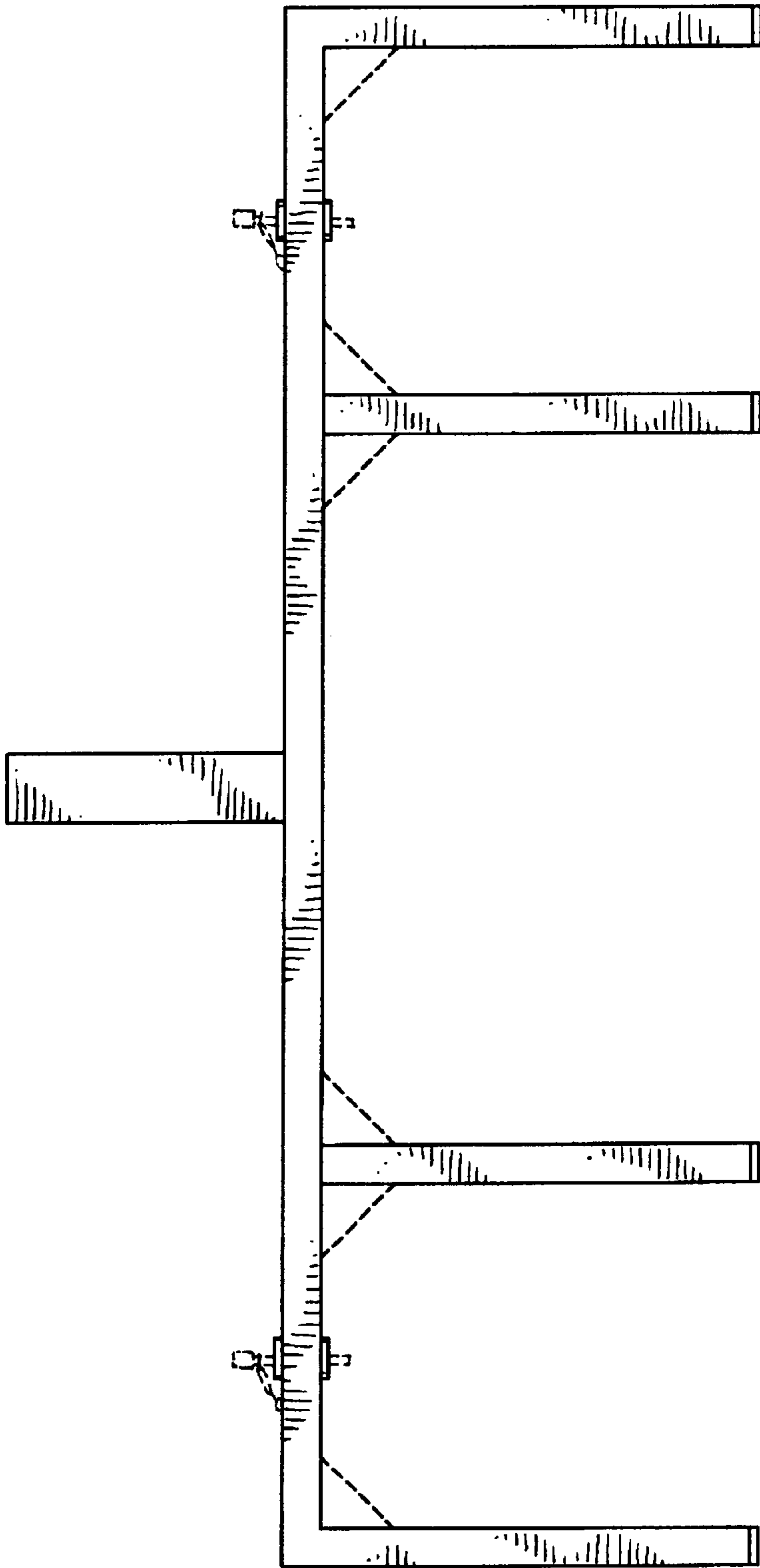


FIG. 3

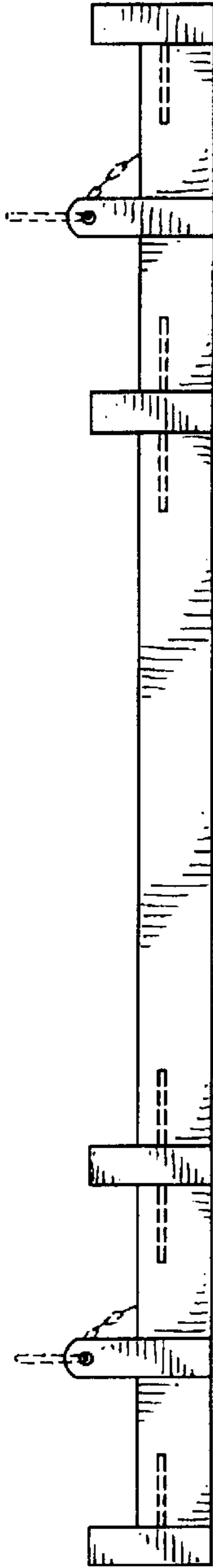


FIG. 4

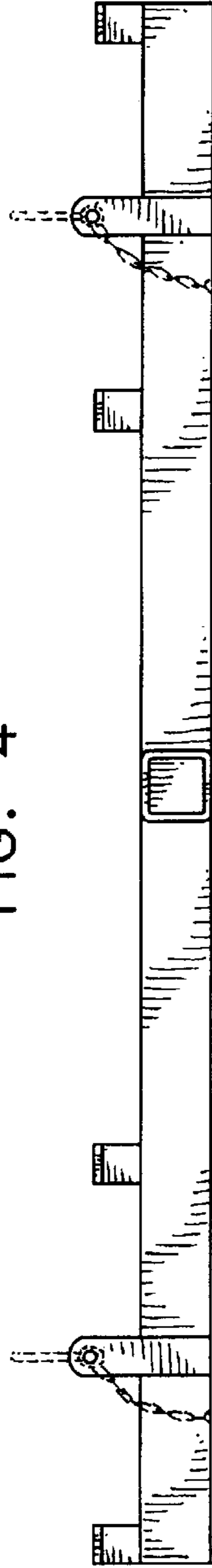


FIG. 5

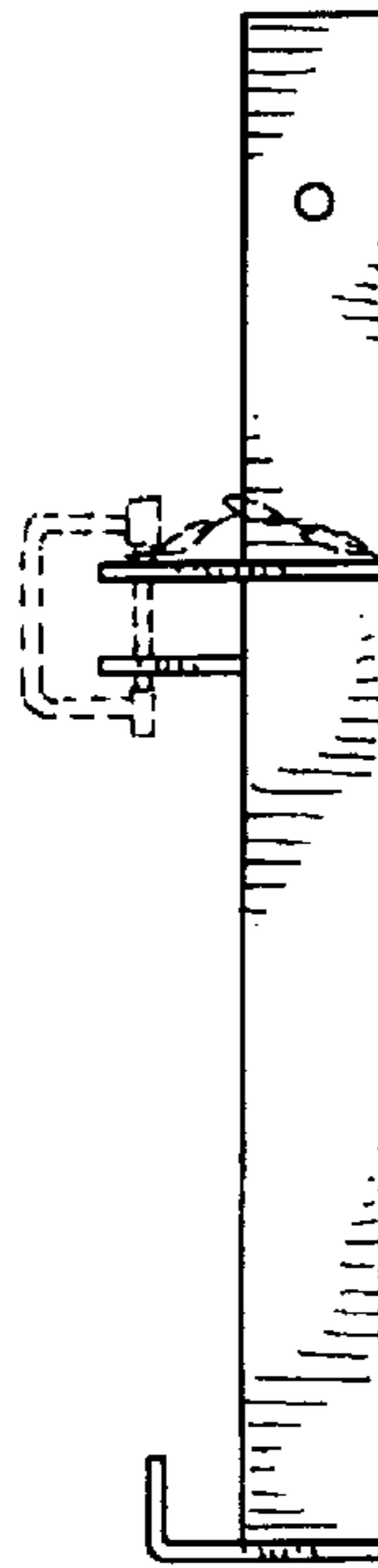


FIG. 6

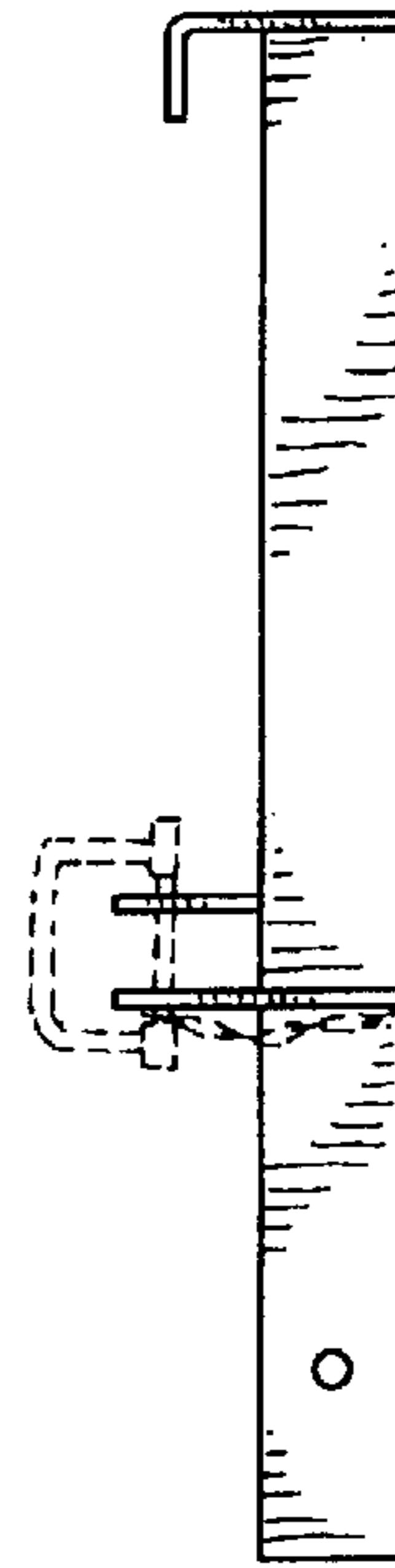


FIG. 7

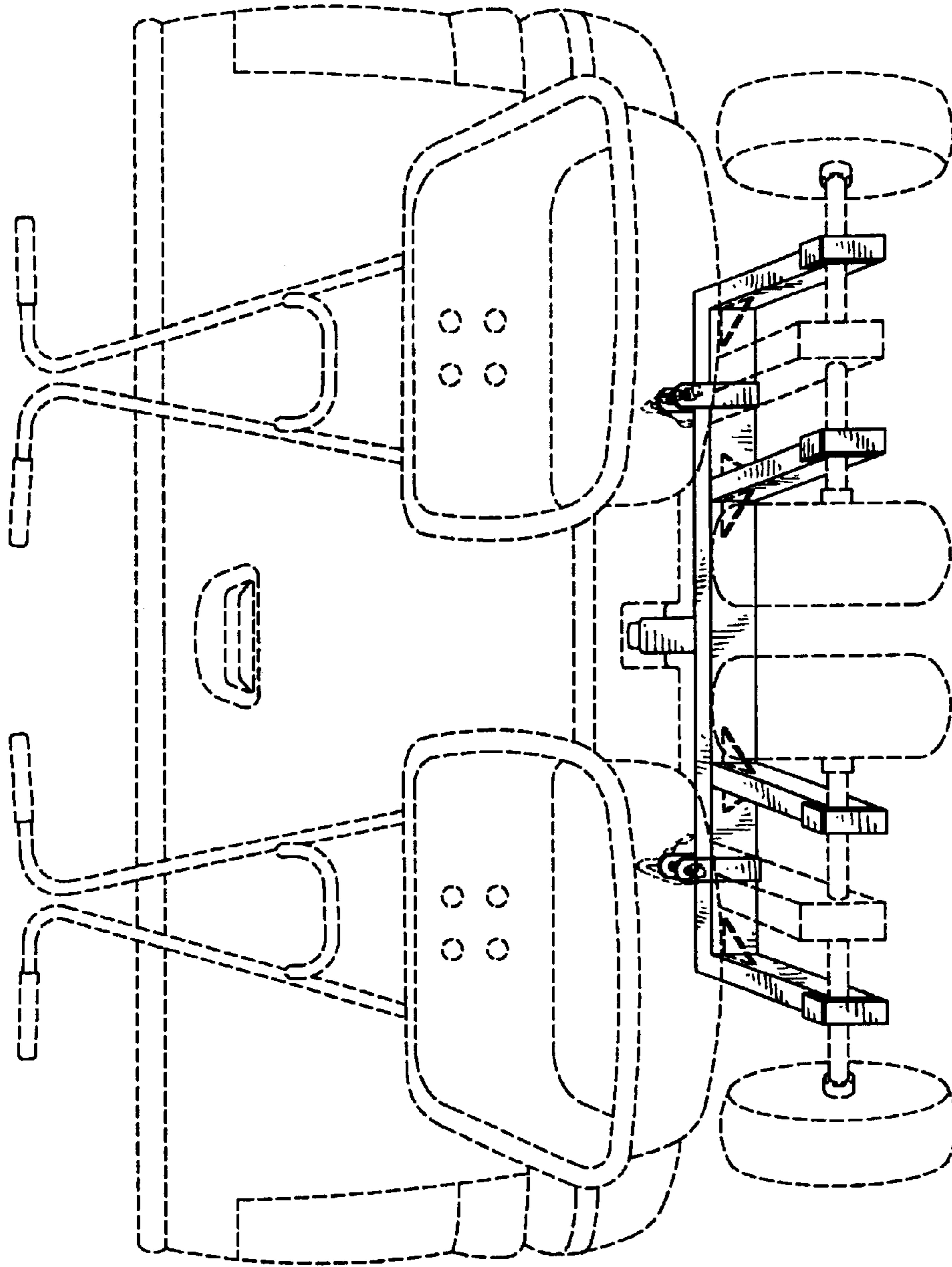


FIG. 8