



US00D527027S

(12) **United States Design Patent** (10) **Patent No.:** **US D527,027 S**  
**Smith et al.** (45) **Date of Patent:** **\*\* Aug. 22, 2006**

(54) **EXCAVATOR TOOL CARRIER** D458,941 S 6/2002 Miyanishi et al. .... D15/25  
D464,661 S 10/2002 Dahl et al. .... D15/23  
(75) Inventors: **Jeffrey D. Smith**, Guthrie, OK (US); D468,754 S 1/2003 Dershem et al. .... D15/28  
**Cody L. Sewell**, Perry, OK (US); D472,904 S 4/2003 Bares et al. .... D15/24  
**Michael T. Lumbers**, Perry, OK (US) D473,571 S 4/2003 Kuwae et al. .... D15/25  
D474,481 S 5/2003 Hara ..... D15/25  
(73) Assignee: **The Charles Machine Works, Inc.**, D479,535 S 9/2003 Lange ..... D15/25  
Perry, OK (US)

(Continued)

(\*\*) **Term:** **14 Years**

**FOREIGN PATENT DOCUMENTS**

(21) **Appl. No.:** **29/236,557**  
(22) **Filed:** **Aug. 17, 2005**

EP 1357232 A2 10/2003  
JP 2000-291043 10/2000  
JP 2003-138593 5/2003  
JP 2003-160952 6/2003

(51) **LOC (8) Cl.** ..... **12-09**  
(52) **U.S. Cl.** ..... **D15/24**  
(58) **Field of Classification Search** ..... D15/22-26,  
D15/28; 37/103, 248, 379, 443; 29/401.1;  
180/326; 414/685, 687, 688, 694, 722, 723  
See application file for complete search history.

**OTHER PUBLICATIONS**

Takeuchi, "All The Power Four Times The Versatility", web page, no date, Equipment Today.  
"A "Tired" Excavating Alternative", web page, Sep. 2003, Equipment Today.

(56) **References Cited**

*Primary Examiner*—Mitchell Siegel  
*Assistant Examiner*—Mark Goodwin  
(74) *Attorney, Agent, or Firm*—Tomlinson & O'Connell, P.C.

**U.S. PATENT DOCUMENTS**

2,846,094 A 8/1958 Pilch ..... 214/31  
3,167,194 A 1/1965 Davis et al. .... 214/138  
4,541,161 A 9/1985 Shimoie ..... 29/401.1  
4,552,503 A 11/1985 Mouri et al. .... 414/687  
4,571,147 A 2/1986 Schaeff ..... 414/694  
4,650,393 A 3/1987 Denda ..... 414/694  
4,693,662 A 9/1987 Haringer ..... 414/695  
4,771,855 A 9/1988 Takashima et al. .... 180/326  
D309,313 S 7/1990 Takashima et al. .... D15/25  
D312,468 S \* 11/1990 Masumoto et al. .... D15/25  
D354,497 S 1/1995 Kusunoki et al. .... D15/25  
5,423,654 A 6/1995 Rohrbaugh ..... 414/686  
D375,103 S \* 10/1996 Masumoto et al. .... D15/25  
D383,469 S \* 9/1997 Ishizaki et al. .... D15/25  
D387,360 S 12/1997 Ishizaki et al. .... D15/25  
5,711,095 A 1/1998 Oda et al. .... 37/410  
D424,581 S \* 5/2000 Morita et al. .... D15/24  
6,071,066 A 6/2000 Braud ..... 414/686  
D431,253 S \* 9/2000 Marchetta et al. .... D15/25  
6,170,180 B1 \* 1/2001 Schaeff ..... 37/443  
D440,235 S 4/2001 Kuwae et al. .... D15/25

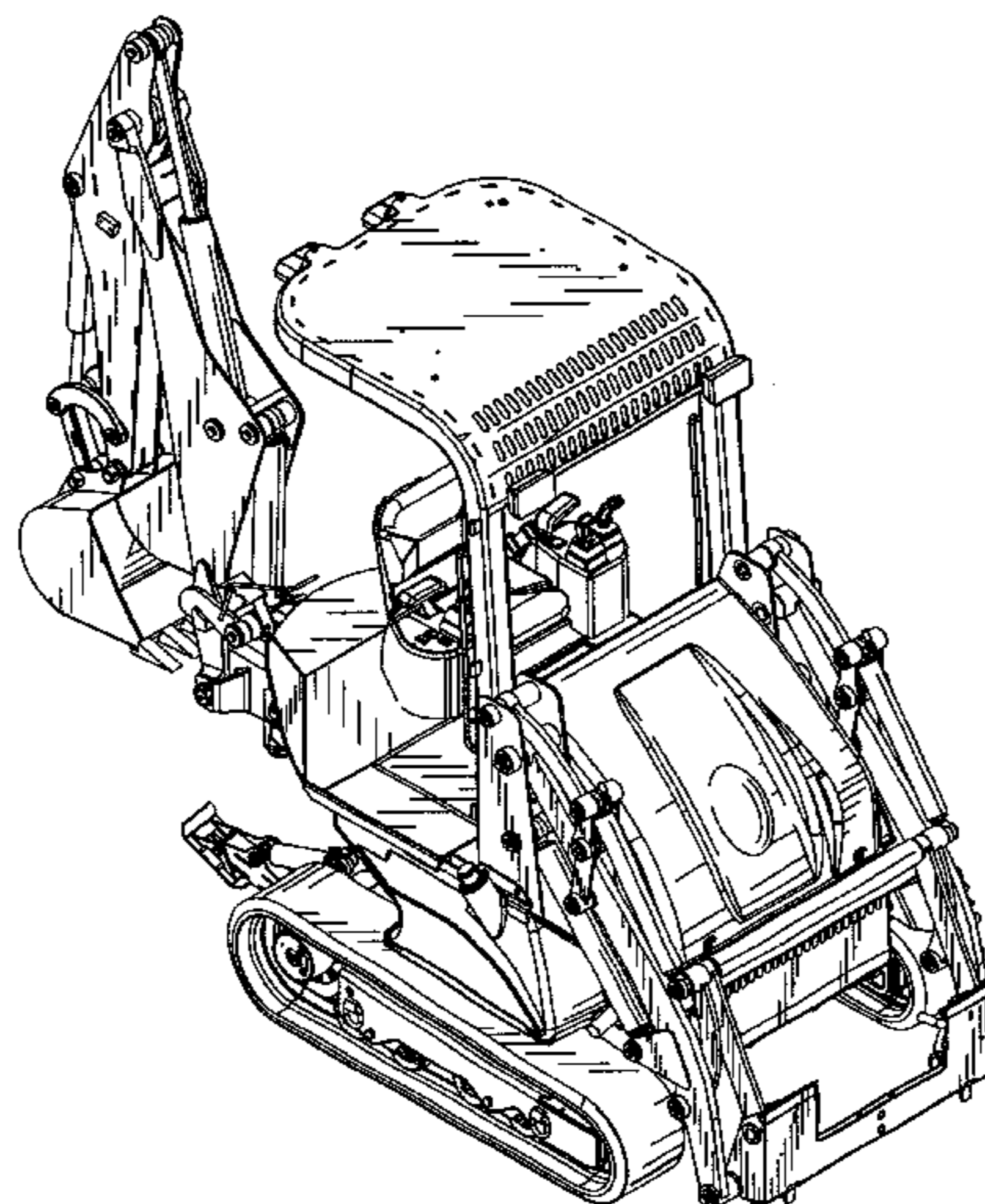
(57) **CLAIM**

The ornamental design for an excavator tool carrier, as shown.

**DESCRIPTION**

FIG. 1 is a front elevational view of an excavator tool carrier showing a first embodiment of our new design; FIG. 2 is a front top right perspective view thereof; FIG. 3 is a front top left perspective view thereof; FIG. 4 is a rear top left perspective view thereof; FIG. 5 is a rear top right perspective view thereof; FIG. 6 is a left elevational view thereof; FIG. 7 is a rear elevational view thereof; FIG. 8 is a right side elevational view thereof; and, FIG. 9 is a top view thereof.

**1 Claim, 9 Drawing Sheets**



# US D527,027 S

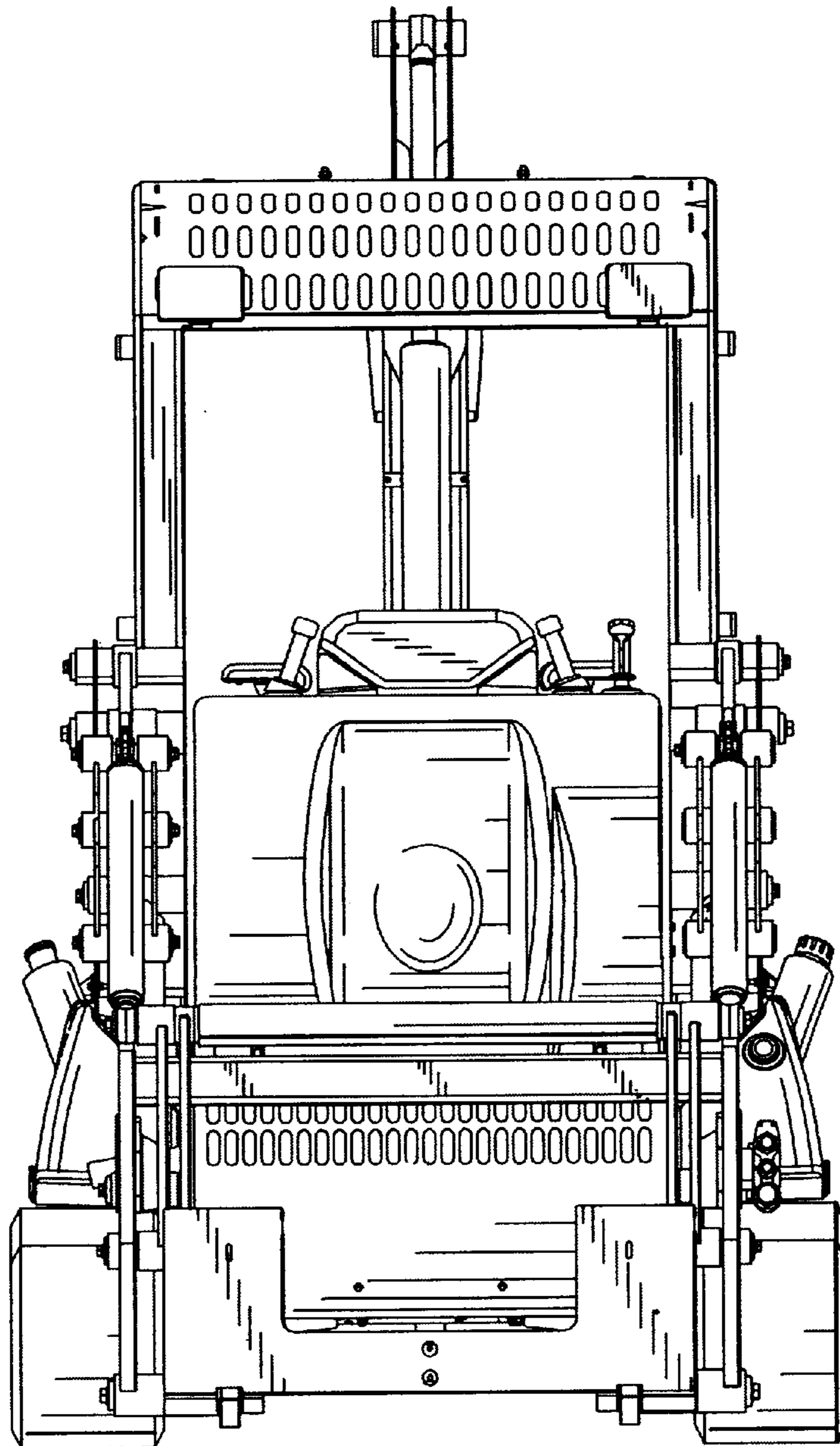
Page 2

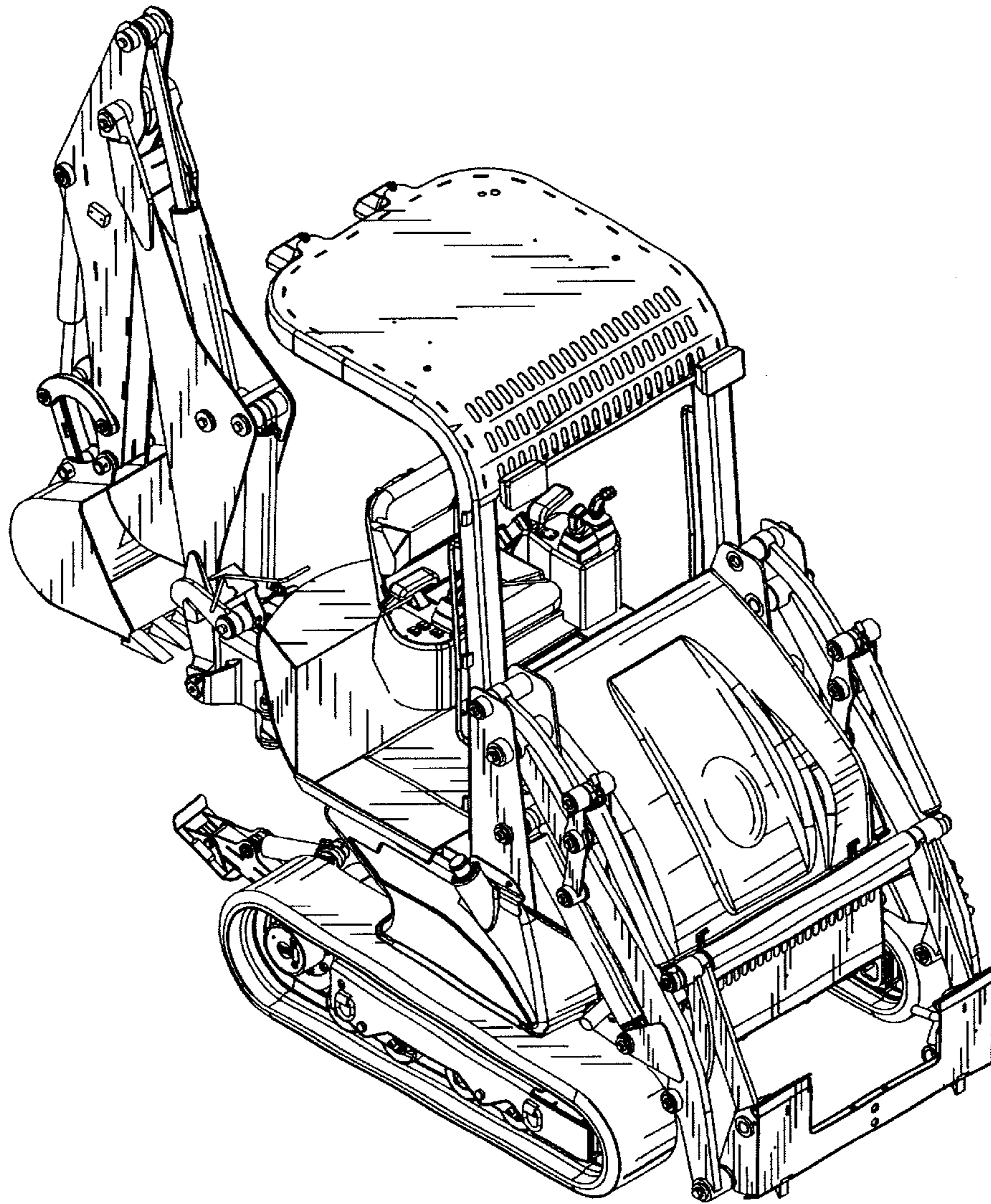
---

## U.S. PATENT DOCUMENTS

6,615,942	B1 *	9/2003	Shinohara et al. ....	180/69.21	6,920,708	B1 *	7/2005	Bates .....	37/443
6,709,223	B1	3/2004	Walto et al. ....	414/685	D508,498	S *	8/2005	Shimokakiuchi et al. ....	D15/24
6,715,579	B1	4/2004	Hendron .....	180/764.1	D509,514	S *	9/2005	Shimokakiuchi et al. ....	D15/24
6,886,277	B1 *	5/2005	Yukawa et al. ....	37/347	D511,531	S	11/2005	Sewell et al. ....	D15/24

\* cited by examiner





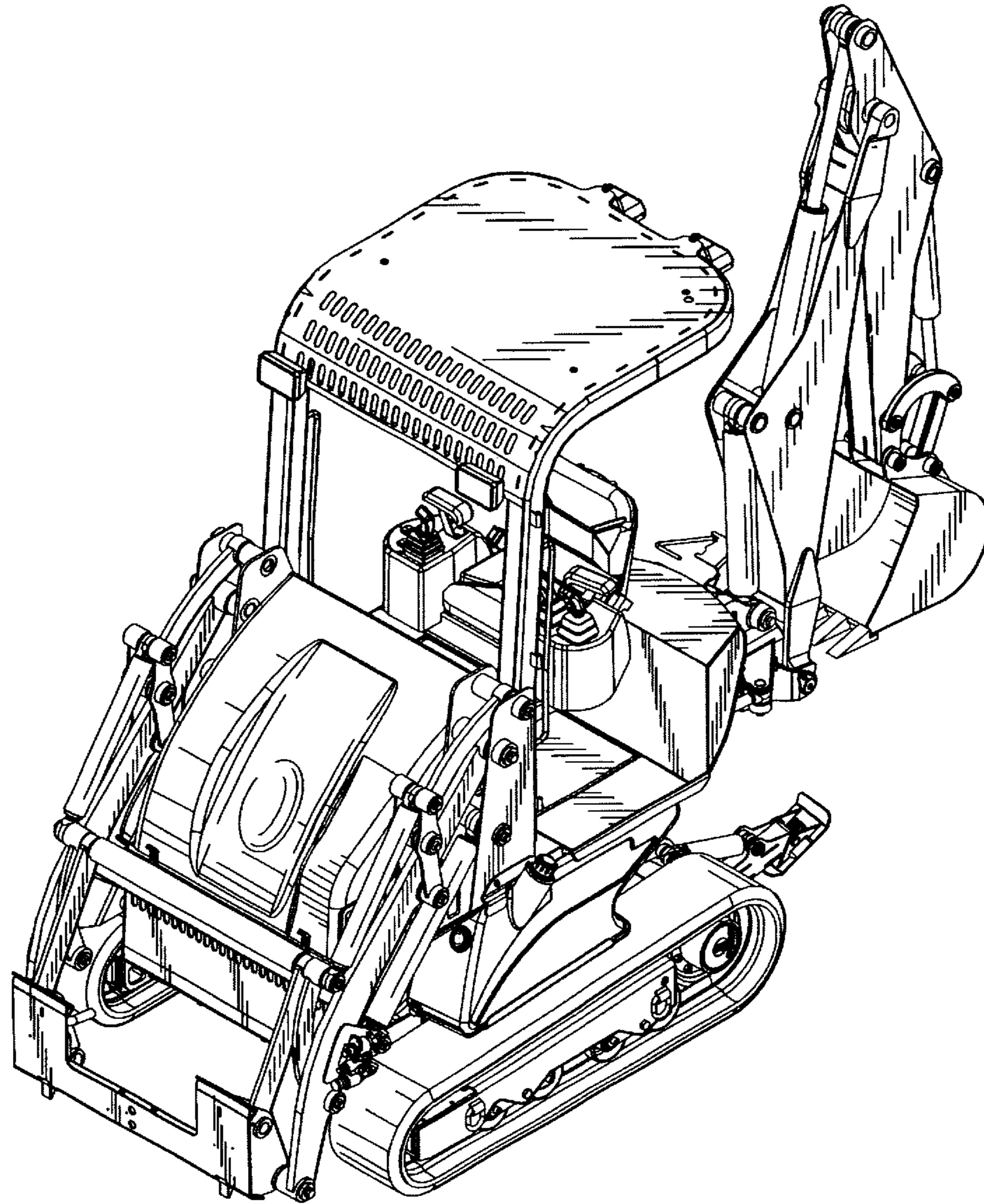


FIG. 3

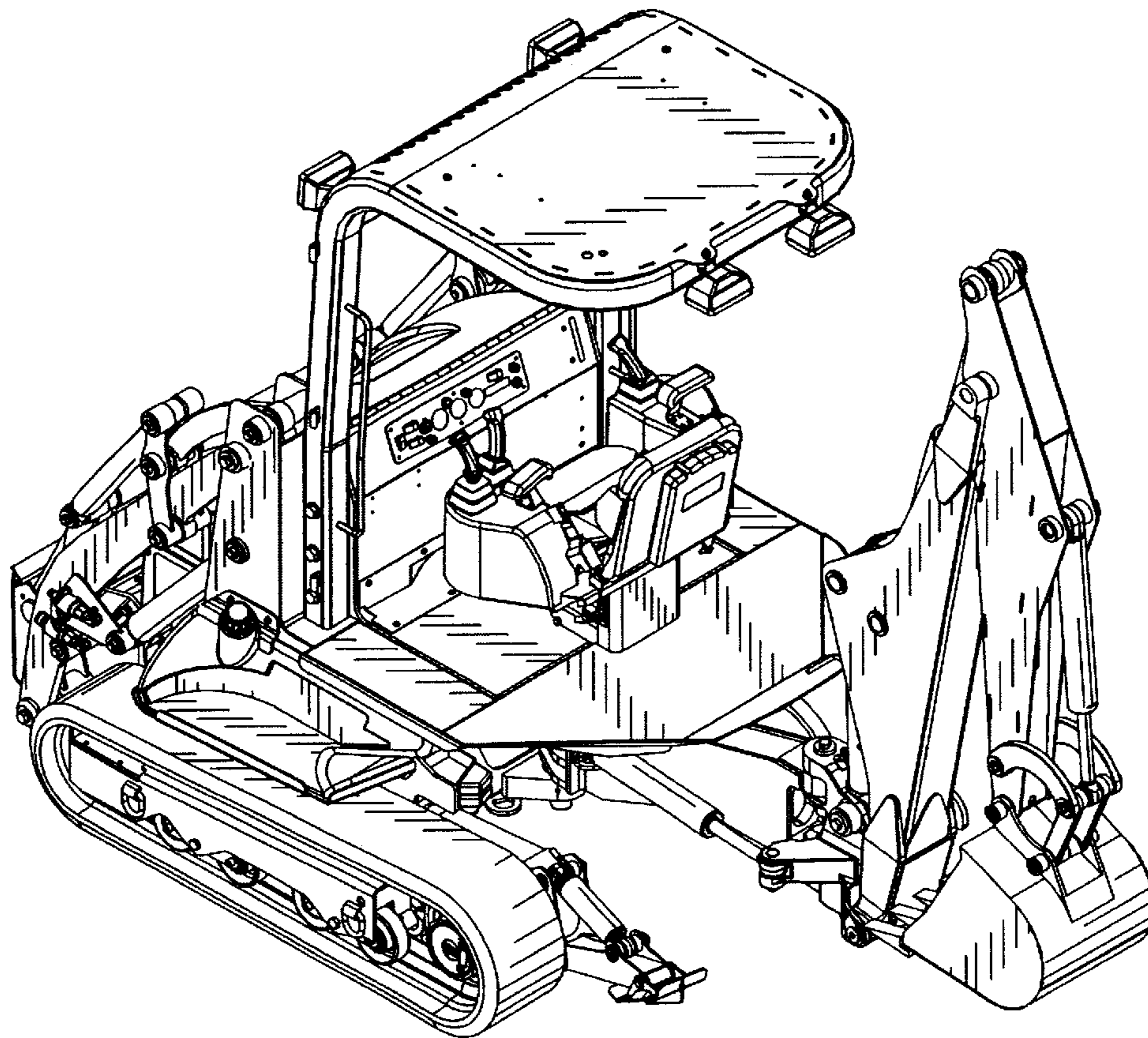


FIG. 4

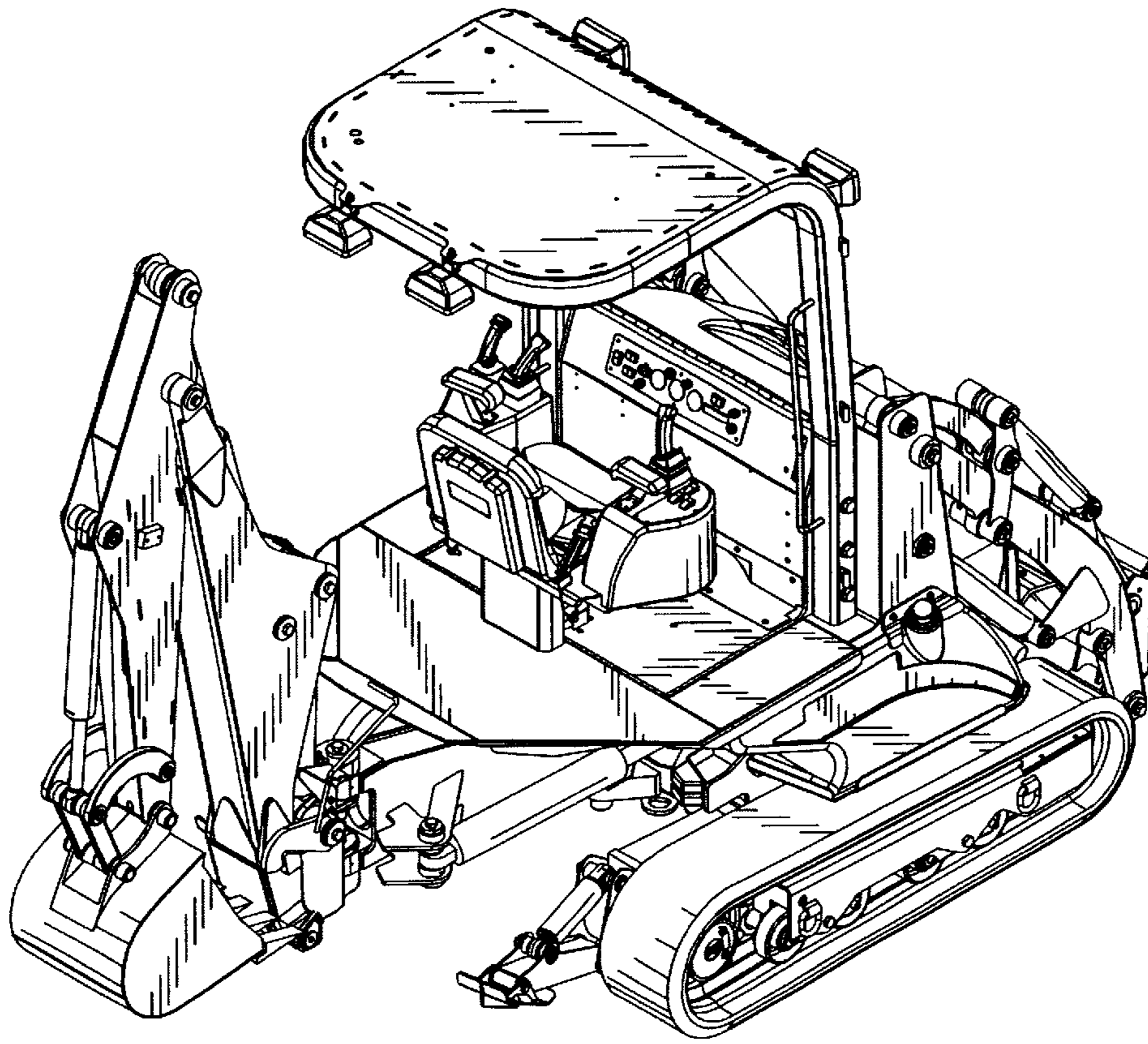


FIG. 5

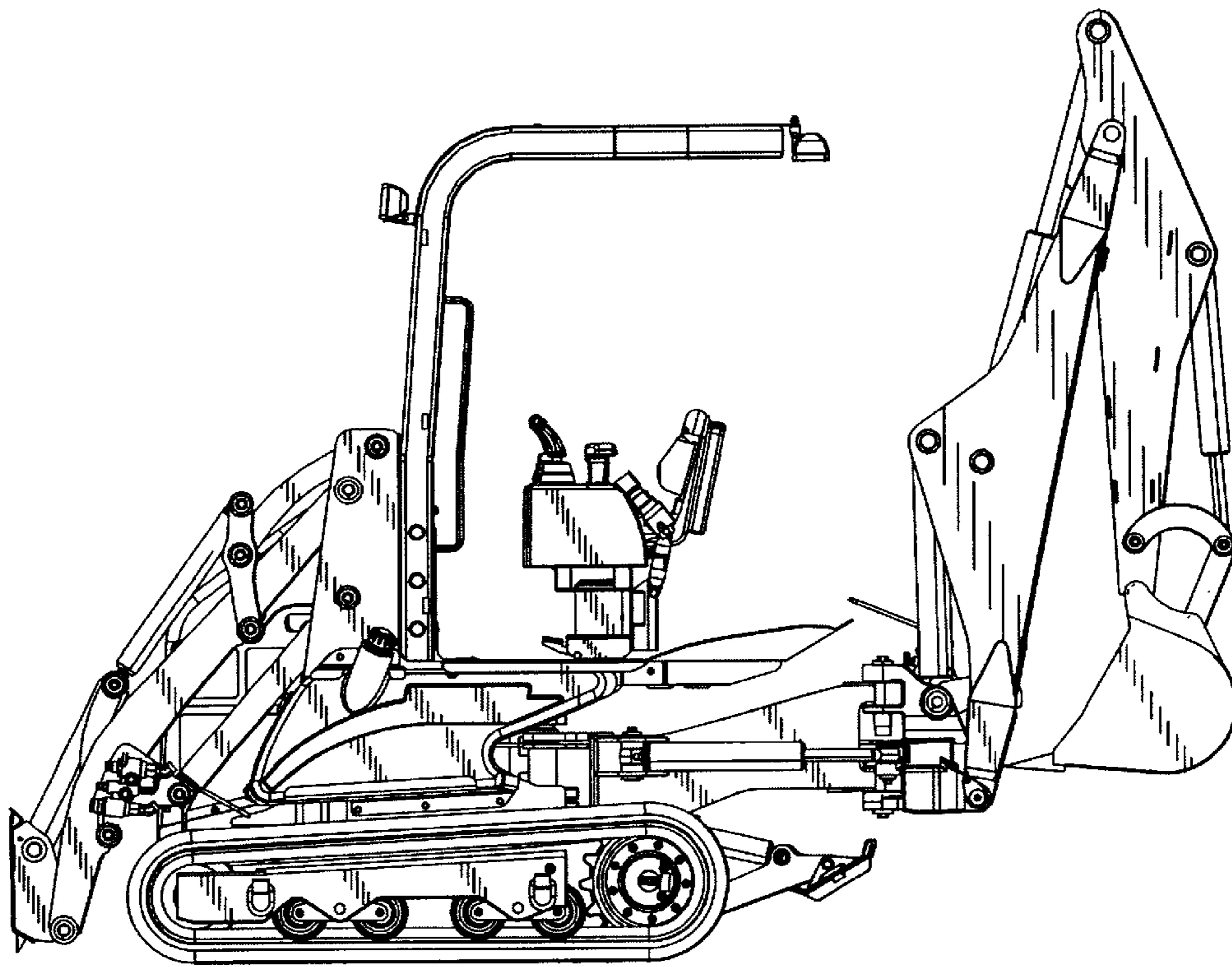


FIG. 6



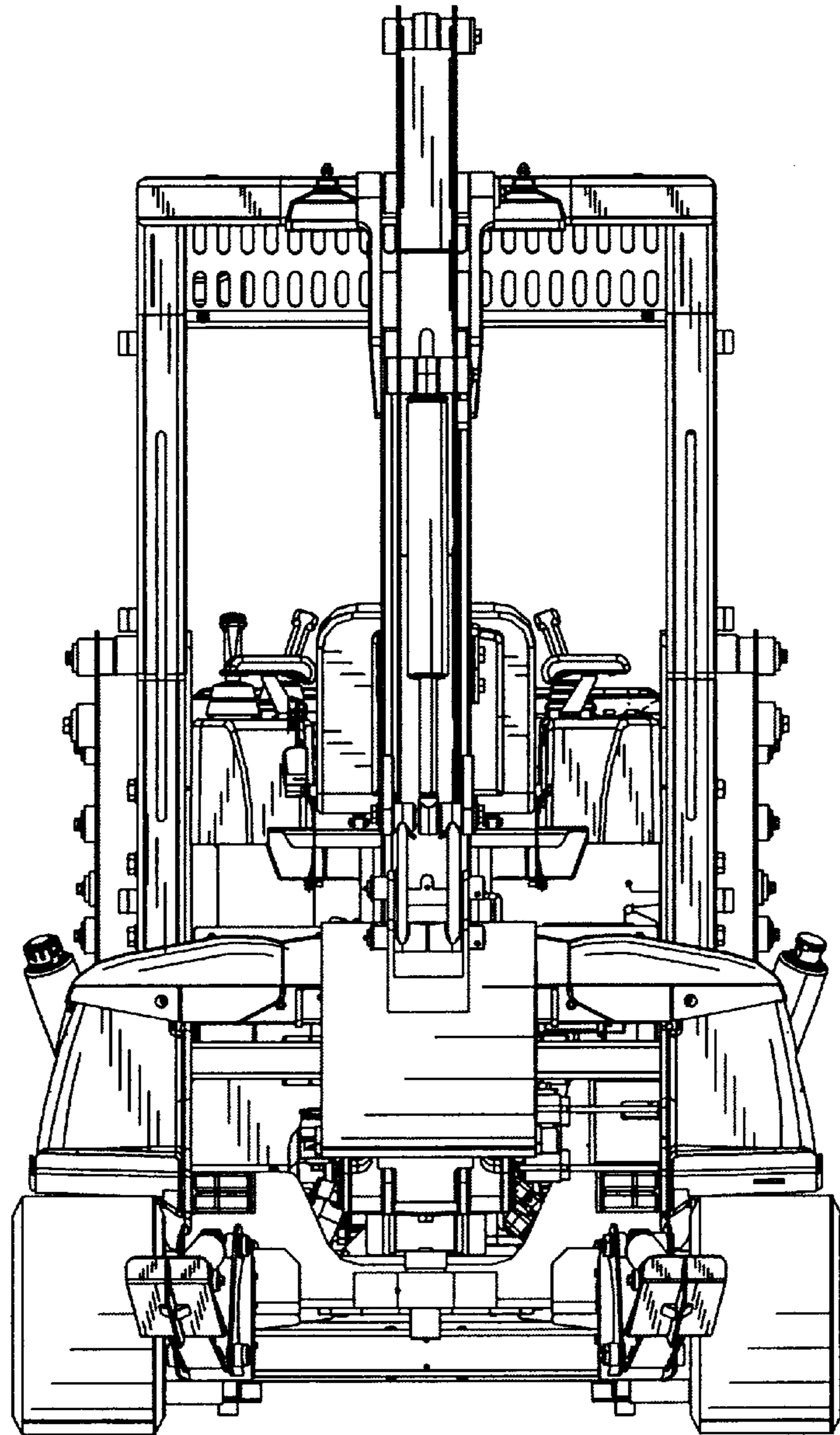


FIG. 7

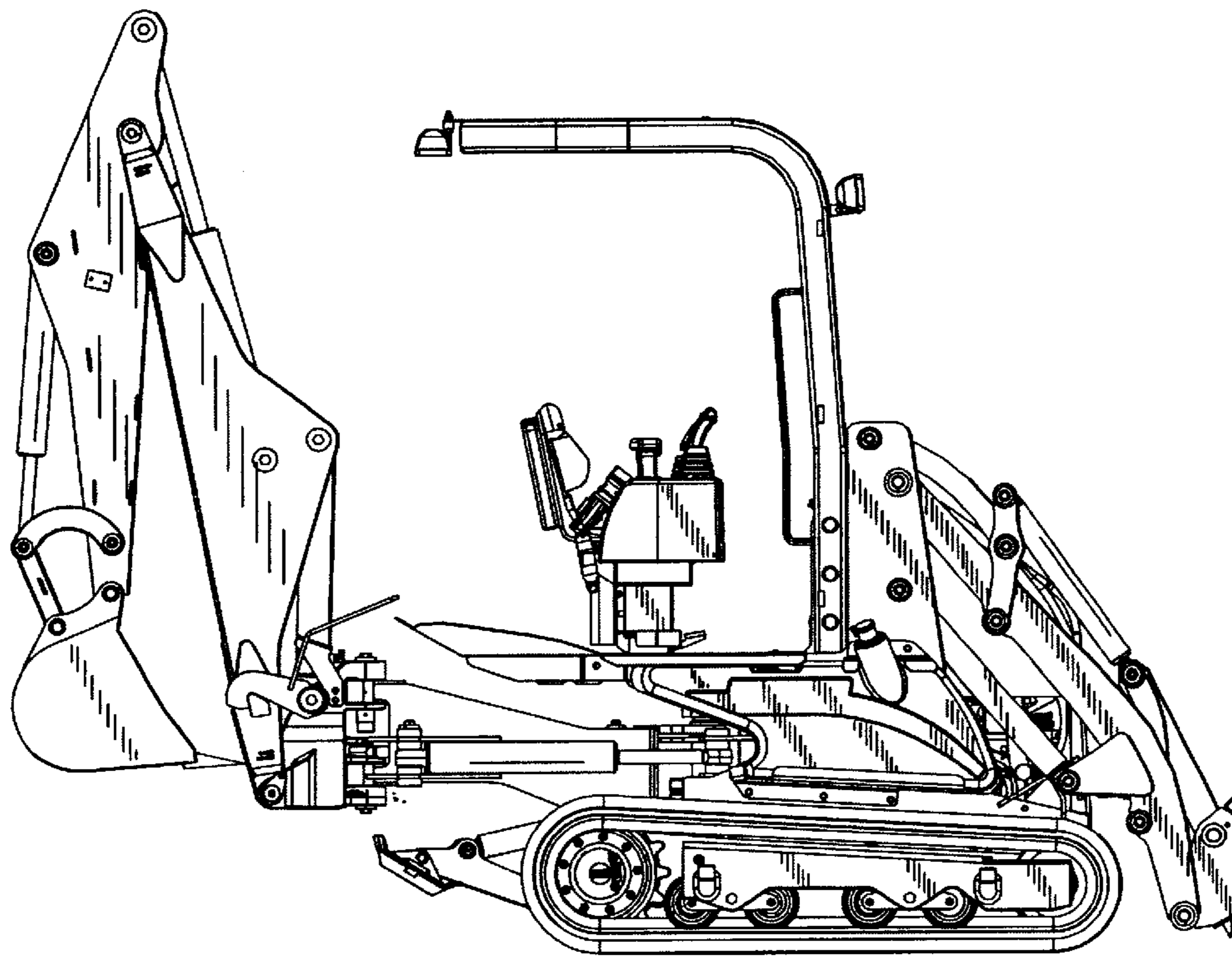


FIG. 1

