



US00D527026S

(12) **United States Design Patent**  
**Kuwae et al.**

(10) **Patent No.:** **US D527,026 S**

(45) **Date of Patent:** **\*\* Aug. 22, 2006**

(54) **TRACTOR**

(75) Inventors: **Junta Kuwae**, Sakai (JP); **Koichiro Kan**, Toyonaka (JP); **Takao Nishikawa**, Kishiwada (JP)

(73) Assignee: **Kubota Corporation** (JP)

(\*\*) Term: **14 Years**

(21) Appl. No.: **29/241,505**

(22) Filed: **Oct. 27, 2005**

(30) **Foreign Application Priority Data**

Sep. 28, 2005 (JP) ..... 2005-028062

(51) **LOC (8) Cl.** ..... **12-09**

(52) **U.S. Cl.** ..... **D15/23**

(58) **Field of Classification Search** ..... D15/10,  
D15/14, 15, 22-26, 33; 180/89.1, 89.12,  
180/900, 69.2; 56/12.7, 15.8, 16.7, 13.3,  
56/13.4, 10.1, 202, 255, 320.1, 320.2, 254,  
56/274, 294

See application file for complete search history.

(56) **References Cited**

**U.S. PATENT DOCUMENTS**

D247,624 S \* 3/1978 Emundts et al. .... D15/23

D256,017 S \* 7/1980 Emundts et al. .... D15/23  
D274,524 S \* 7/1984 Koval et al. .... D15/23  
D355,423 S \* 2/1995 Woods et al. .... D15/23  
D387,068 S \* 12/1997 Kato et al. .... D15/23  
D391,581 S \* 3/1998 Kato et al. .... D15/23  
D440,234 S \* 4/2001 Katoh et al. .... D15/23  
D498,245 S \* 11/2004 Kuwae et al. .... D15/23  
D515,105 S \* 2/2006 Wang et al. .... D15/22

\* cited by examiner

*Primary Examiner*—Stella Reid

*Assistant Examiner*—Mark Goodwin

(74) *Attorney, Agent, or Firm*—The Webb Law Firm

(57) **CLAIM**

The ornamental design for a tractor, as shown and described.

**DESCRIPTION**

FIG. 1 is a front perspective view of a tractor showing our new design;

FIG. 2 is a rear perspective view thereof;

FIG. 3 is a right side view thereof;

FIG. 4 is a left side view thereof;

FIG. 5 is a front view thereof;

FIG. 6 is a rear view thereof; and,

FIG. 7 is a top view thereof.

**1 Claim, 7 Drawing Sheets**







Fig. 1





Fig. 2

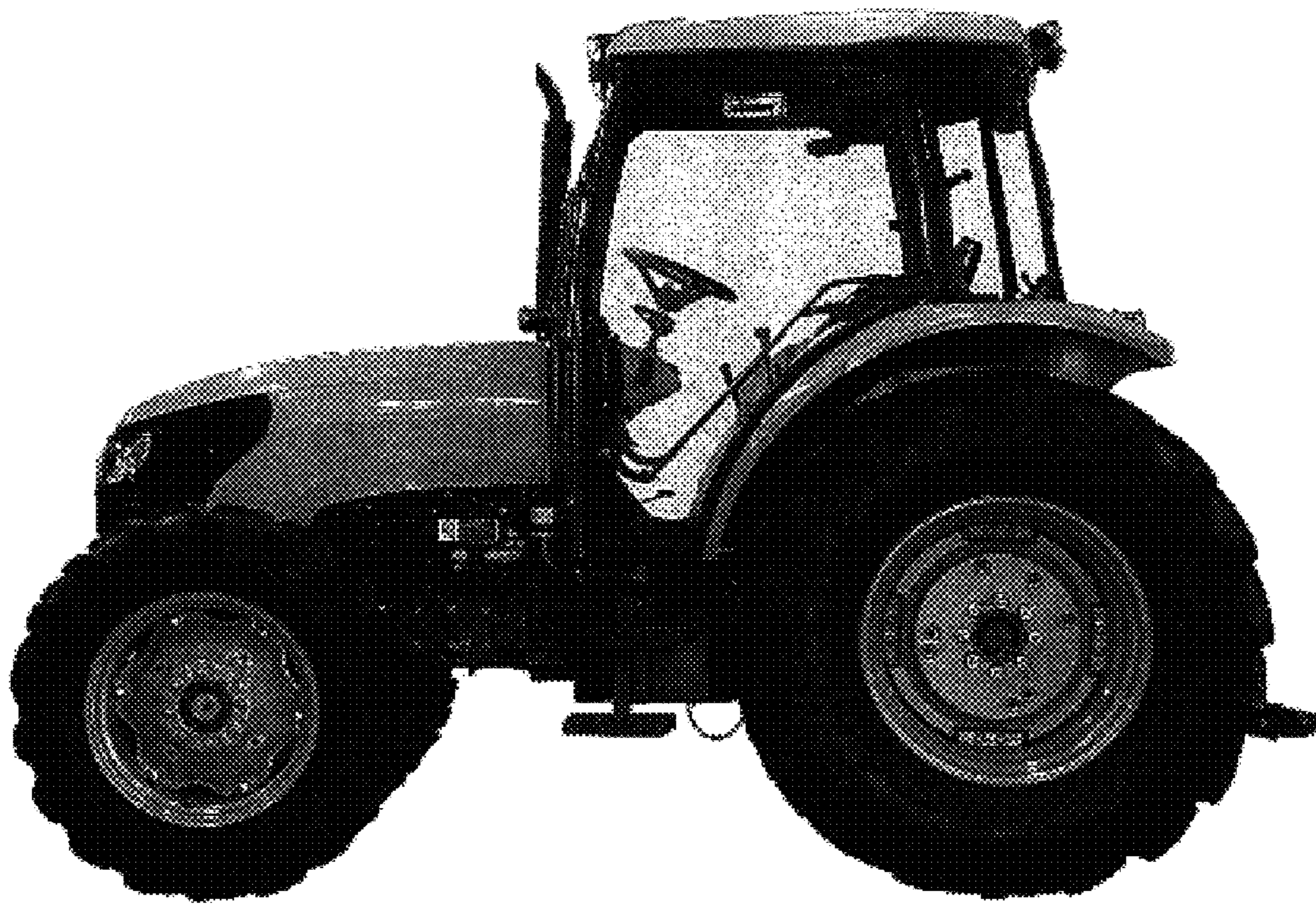


Fig. 3



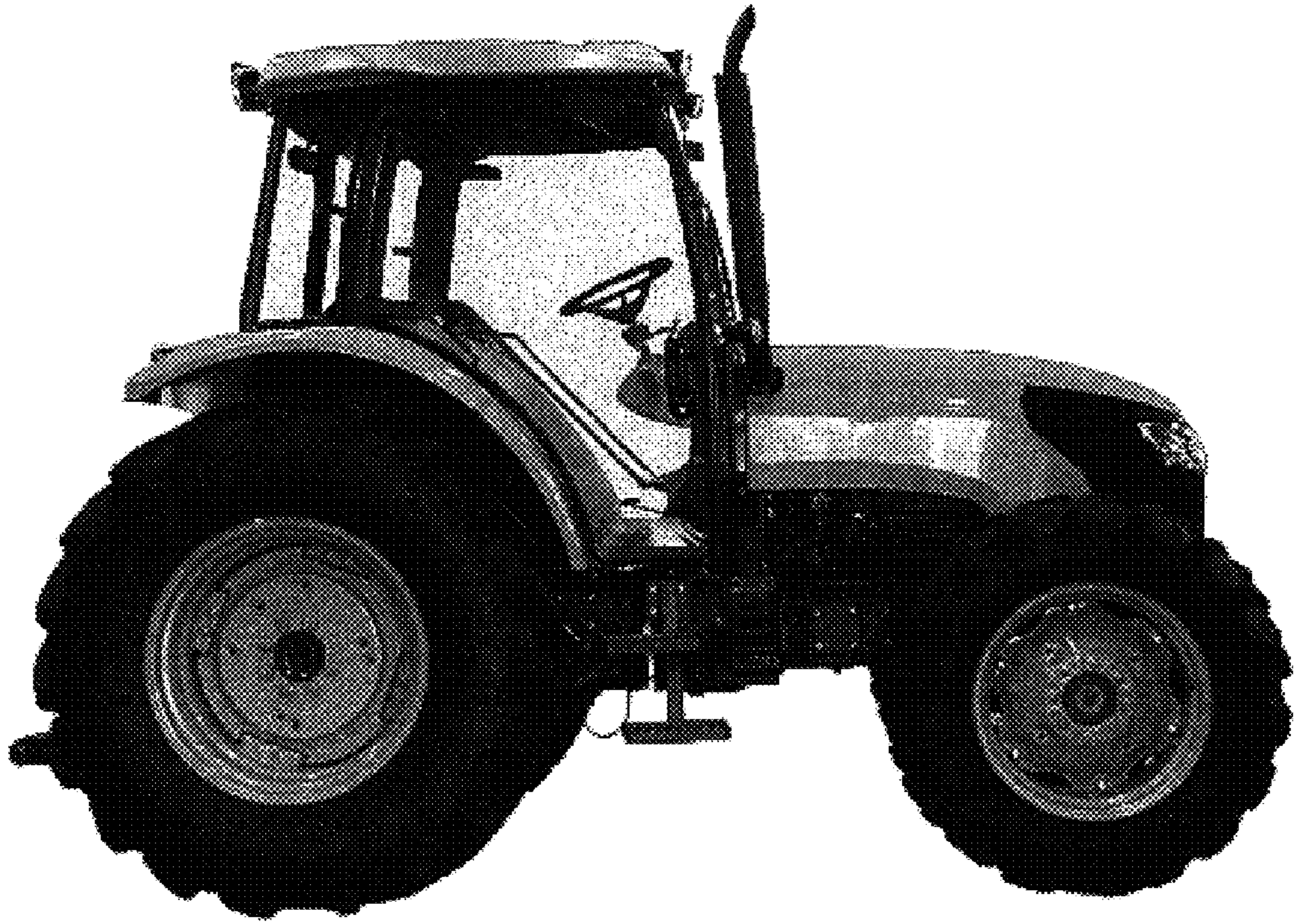


Fig. 4



Fig. 5





Fig. 6



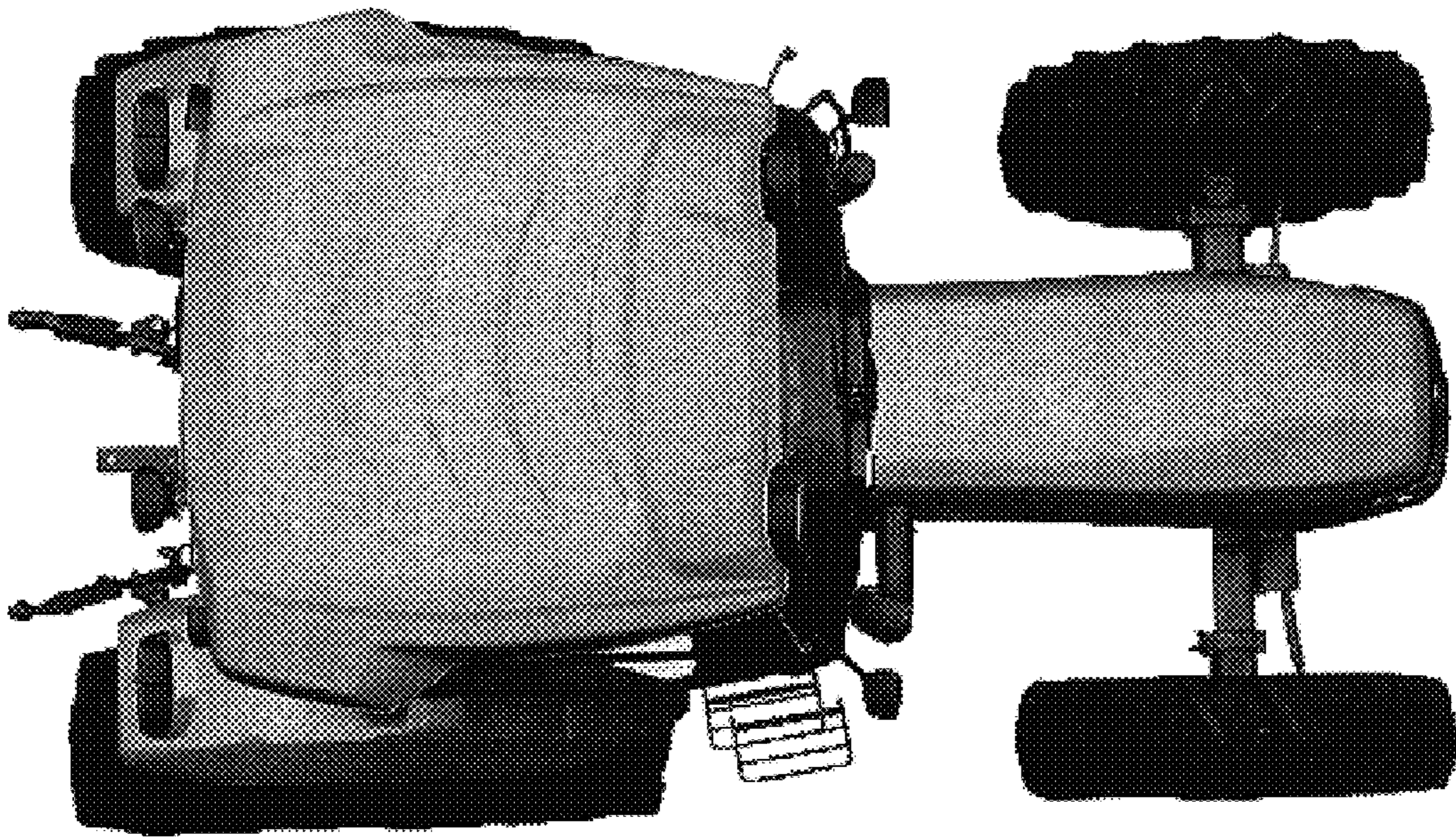


Fig. 7