



US00D527020S

(12) **United States Design Patent**
Miyazaki et al.

(10) **Patent No.:** **US D527,020 S**

(45) **Date of Patent:** **** Aug. 22, 2006**

(54) **INTERNAL COMBUSTION ENGINE**

D396,476 S * 7/1998 Shimizu D15/1
D474,783 S * 5/2003 Momoi D15/1
D488,167 S * 4/2004 Momoi D15/1

(75) Inventors: **Manabu Miyazaki**, Osaka (JP);
Junichi Samo, Osaka (JP); **Masashi Sagara**, Osaka (JP)

OTHER PUBLICATIONS

U.S. Appl. No. 29/212,736, filed Sep. 8, 2004, Shiota et al.
U.S. Appl. No. 29/213,917, filed Sep. 27, 2004, Miyazaki et al.

(73) Assignee: **Yanmar Co., Ltd.**, Osaka (JP)

(**) Term: **14 Years**

* cited by examiner

(21) Appl. No.: **29/202,905**

Primary Examiner—Caron D. Veynar

(22) Filed: **Apr. 7, 2004**

Assistant Examiner—Maurice Stevens

(30) **Foreign Application Priority Data**

(74) *Attorney, Agent, or Firm*—Sterne, Kessler, Goldstein & Fox P.L.L.C.

Oct. 27, 2003 (JP) 2003-031623

(57) **CLAIM**

(51) **LOC (8) Cl.** **15-01**

The ornamental design for an internal combustion engine, as shown and described.

(52) **U.S. Cl.** **D15/3**

(58) **Field of Classification Search** D15/1,
D15/3; 123/195.3, 198 E, 41, 50, 50 B, 50 R,
123/65 R, 70 R

DESCRIPTION

See application file for complete search history.

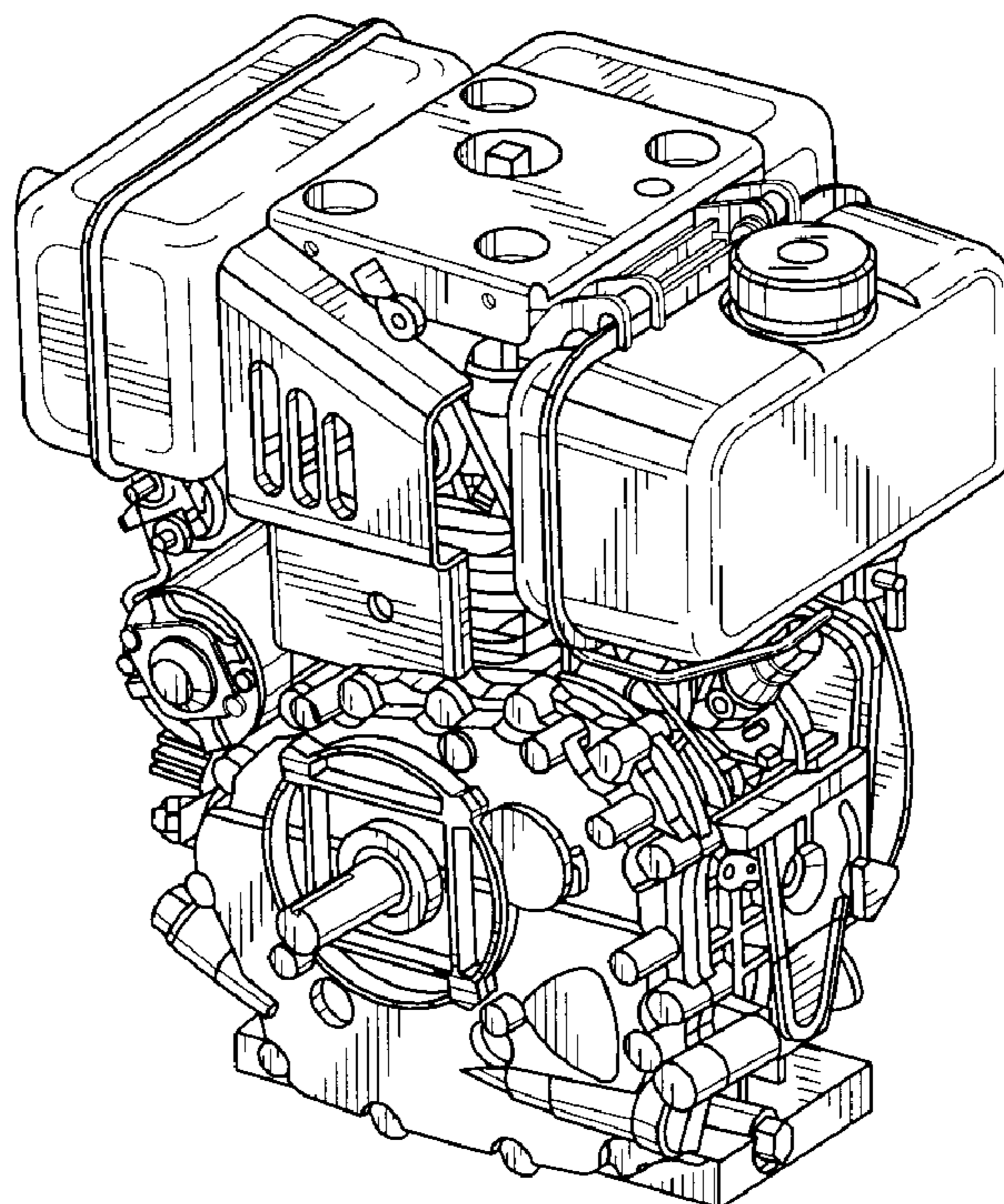
FIG. 1 is a front perspective view of an internal combustion engine showing our new design;
FIG. 2 is a rear perspective view thereof;
FIG. 3 is a front view thereof;
FIG. 4 is a rear view thereof;
FIG. 5 is a top plan view thereof;
FIG. 6 is a bottom plan view thereof;
FIG. 7 is a left side view thereof; and,
FIG. 8 is a right side view thereof.

(56) **References Cited**

U.S. PATENT DOCUMENTS

D293,114 S * 12/1987 Brogdon D15/1
D294,832 S * 3/1988 Itou et al. D15/1
D307,147 S * 4/1990 Sasaki et al. D15/1
D307,148 S * 4/1990 Mikado D15/1
D353,381 S * 12/1994 Yoshida et al. D15/1
D367,070 S * 2/1996 Maeda et al. D15/1
D396,045 S * 7/1998 Neeley D15/1

1 Claim, 8 Drawing Sheets



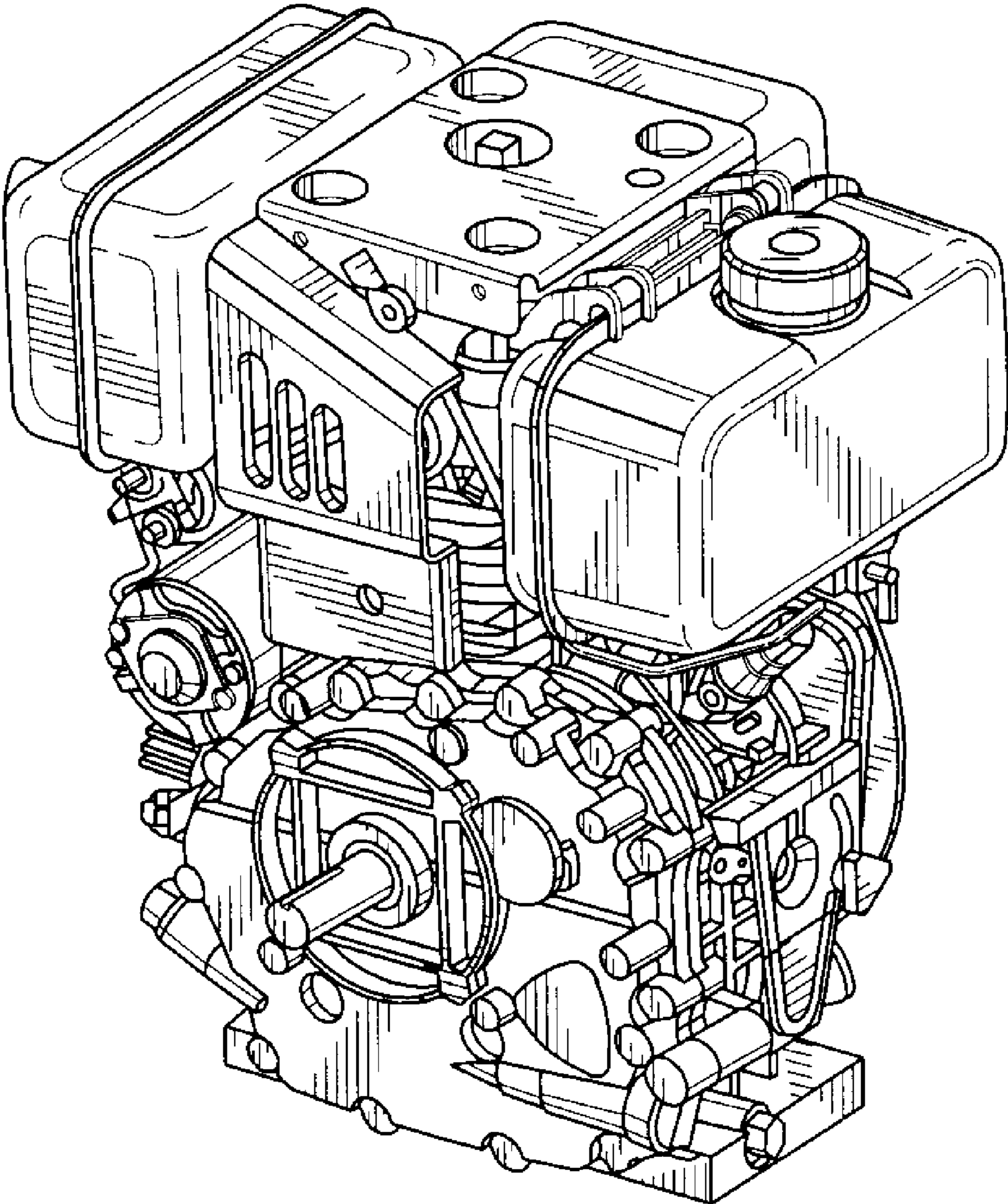


FIG. 1

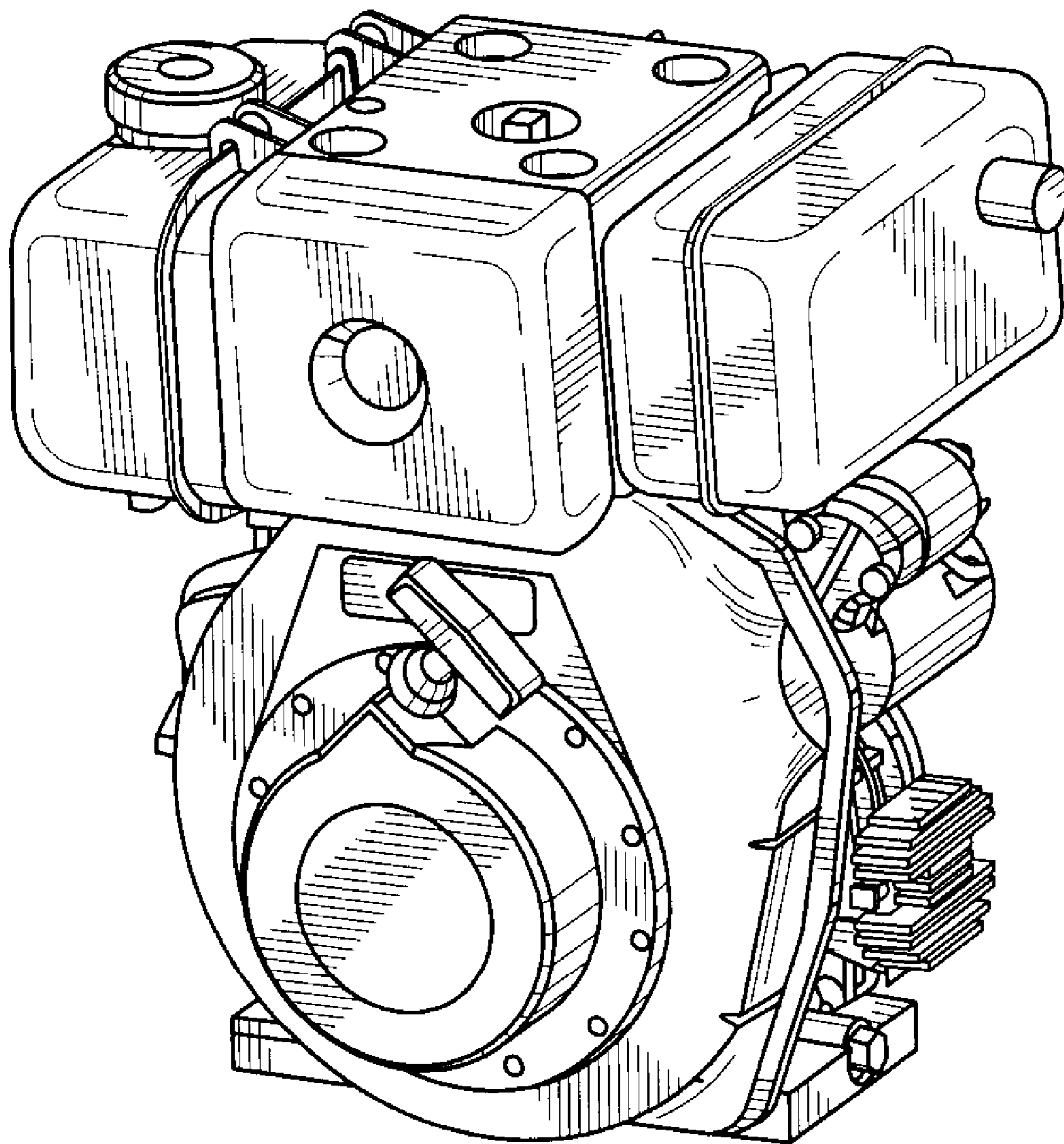


FIG. 2

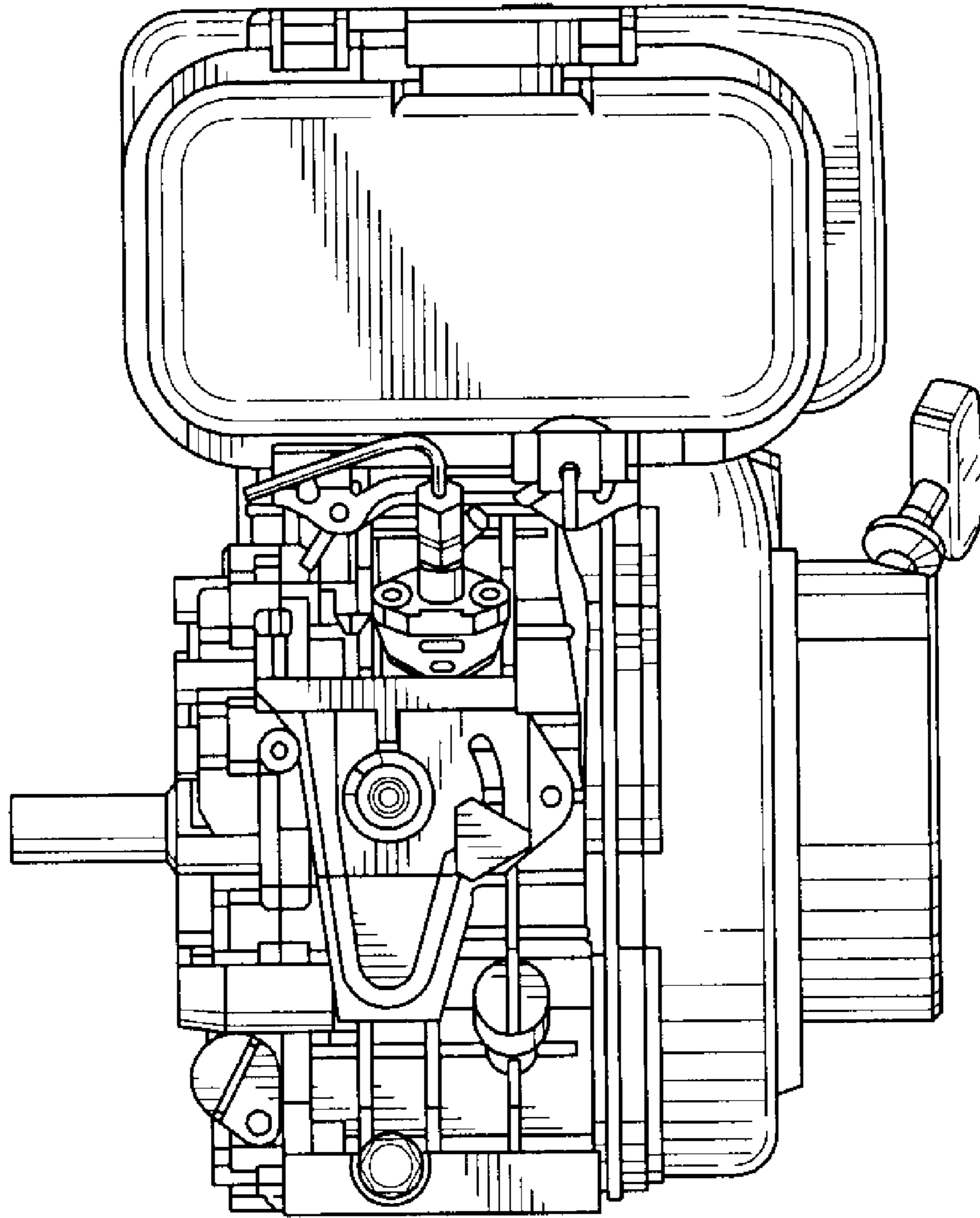


FIG. 3

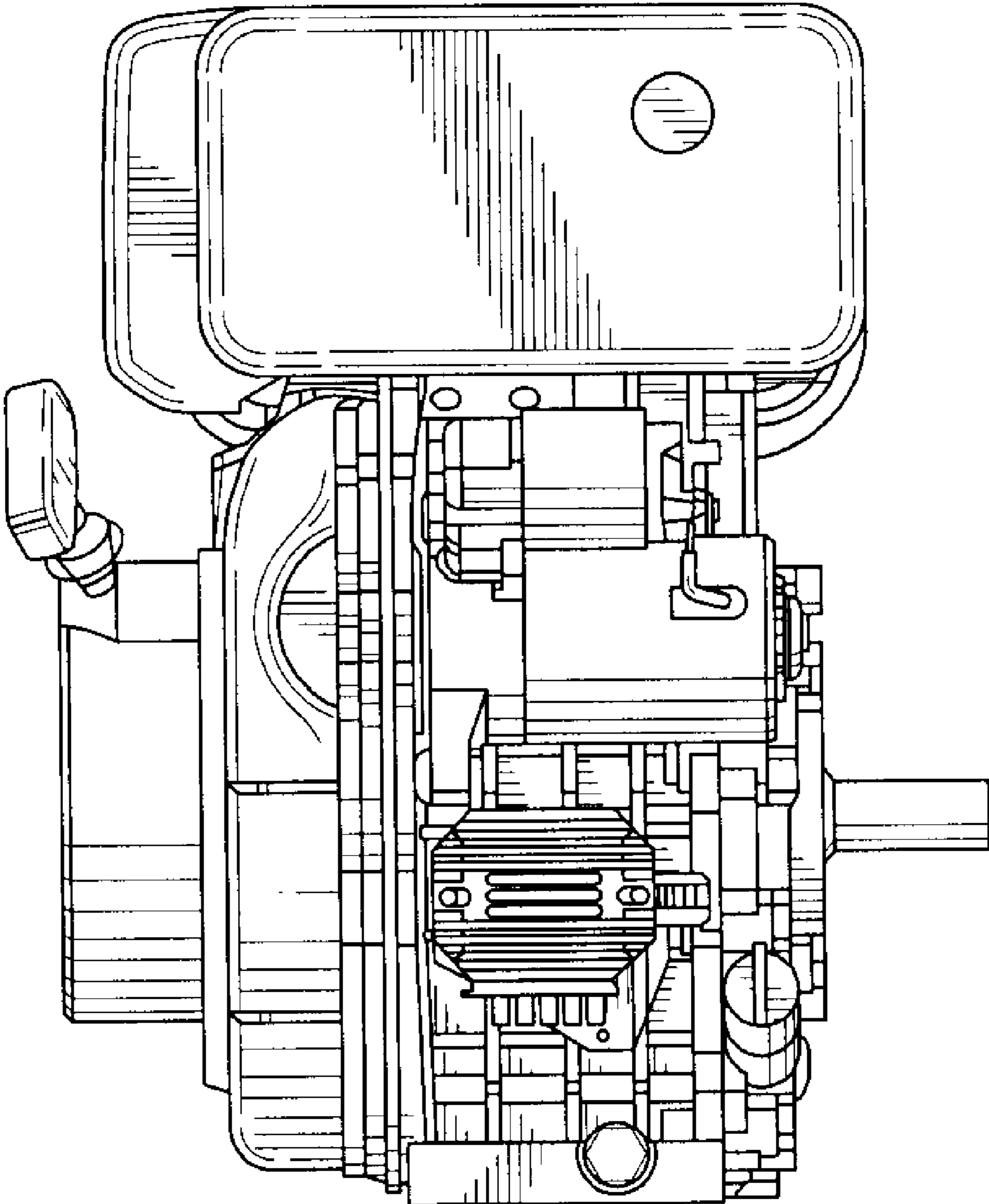


FIG. 4

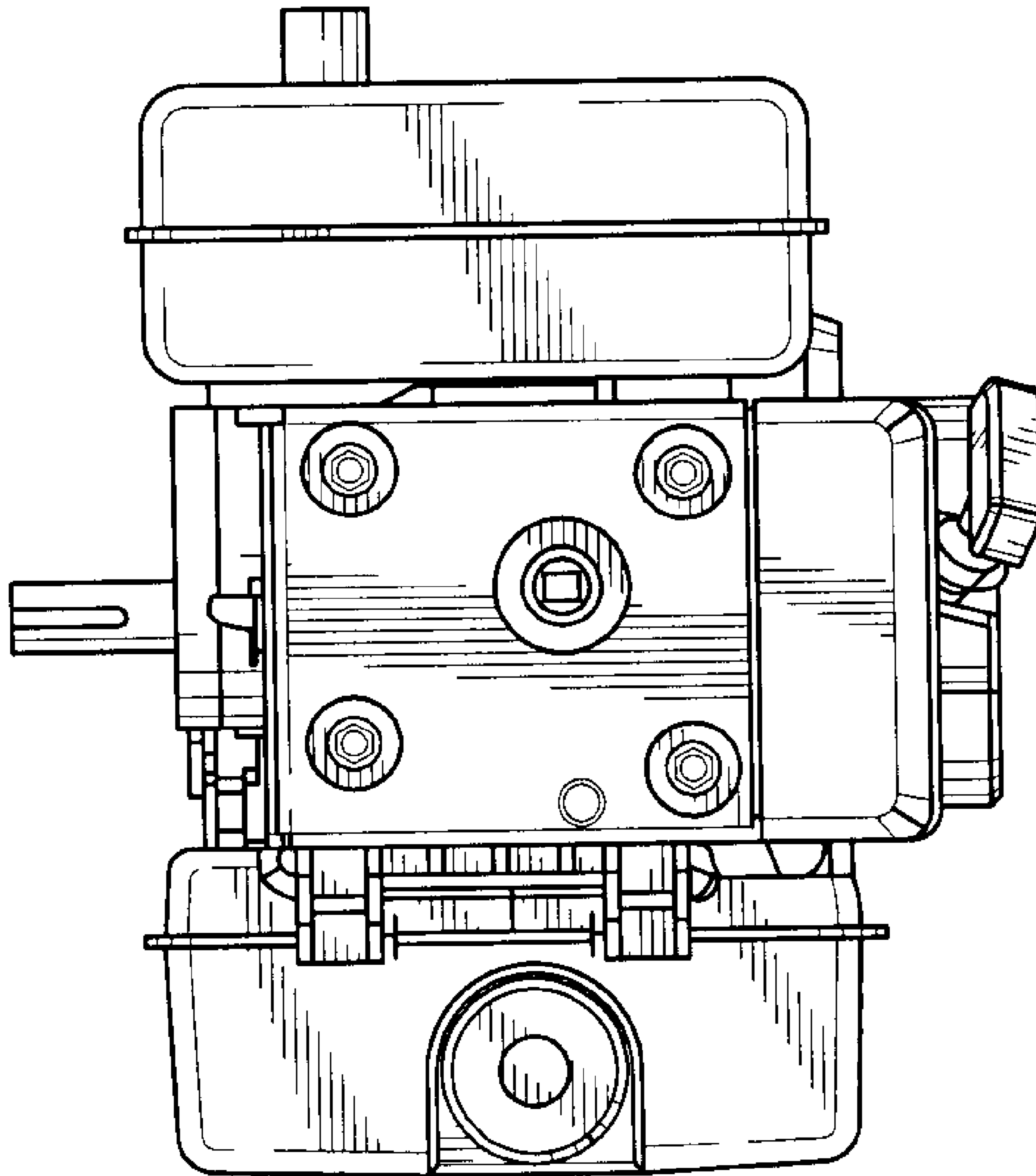


FIG. 5

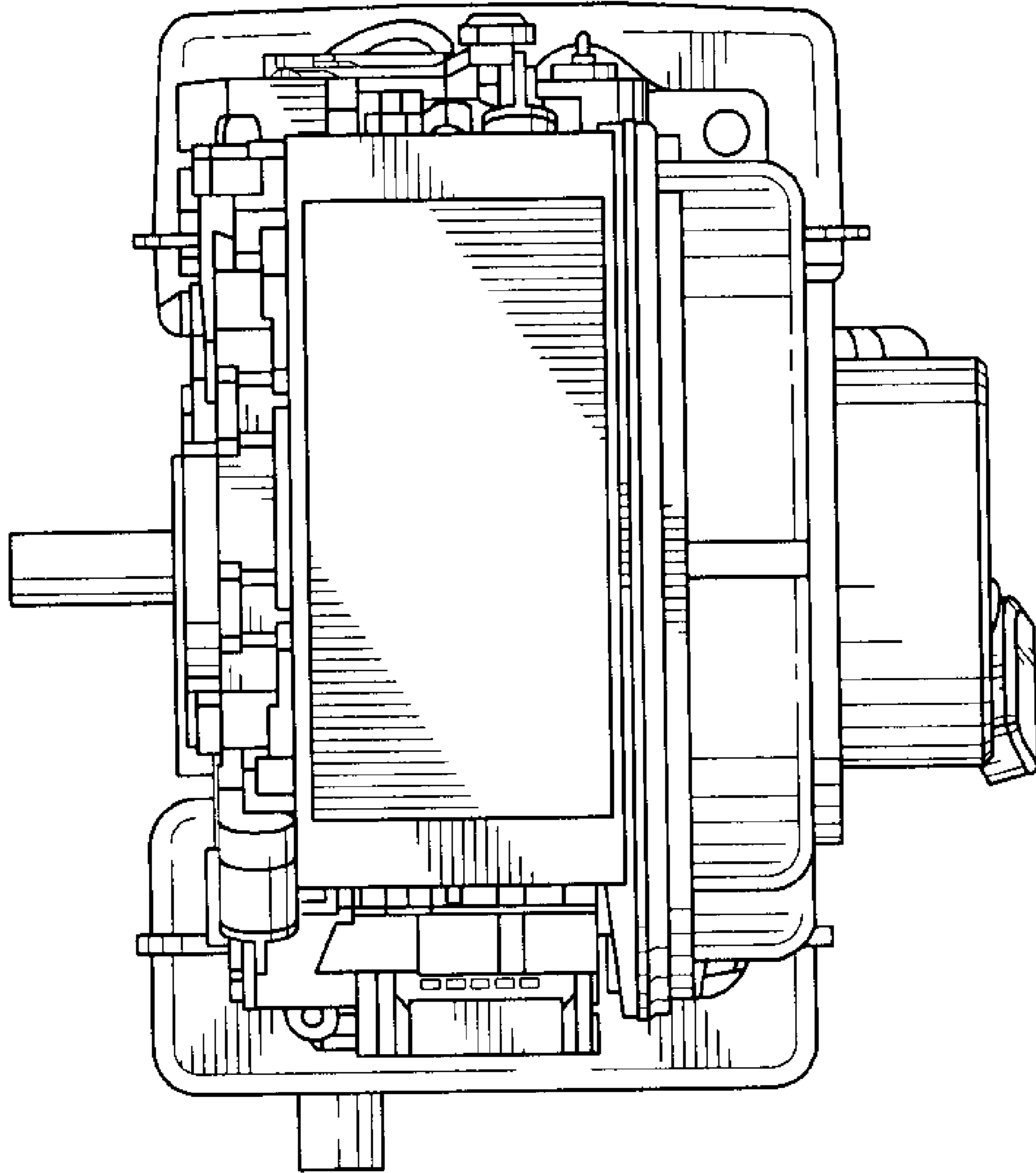


FIG. 6

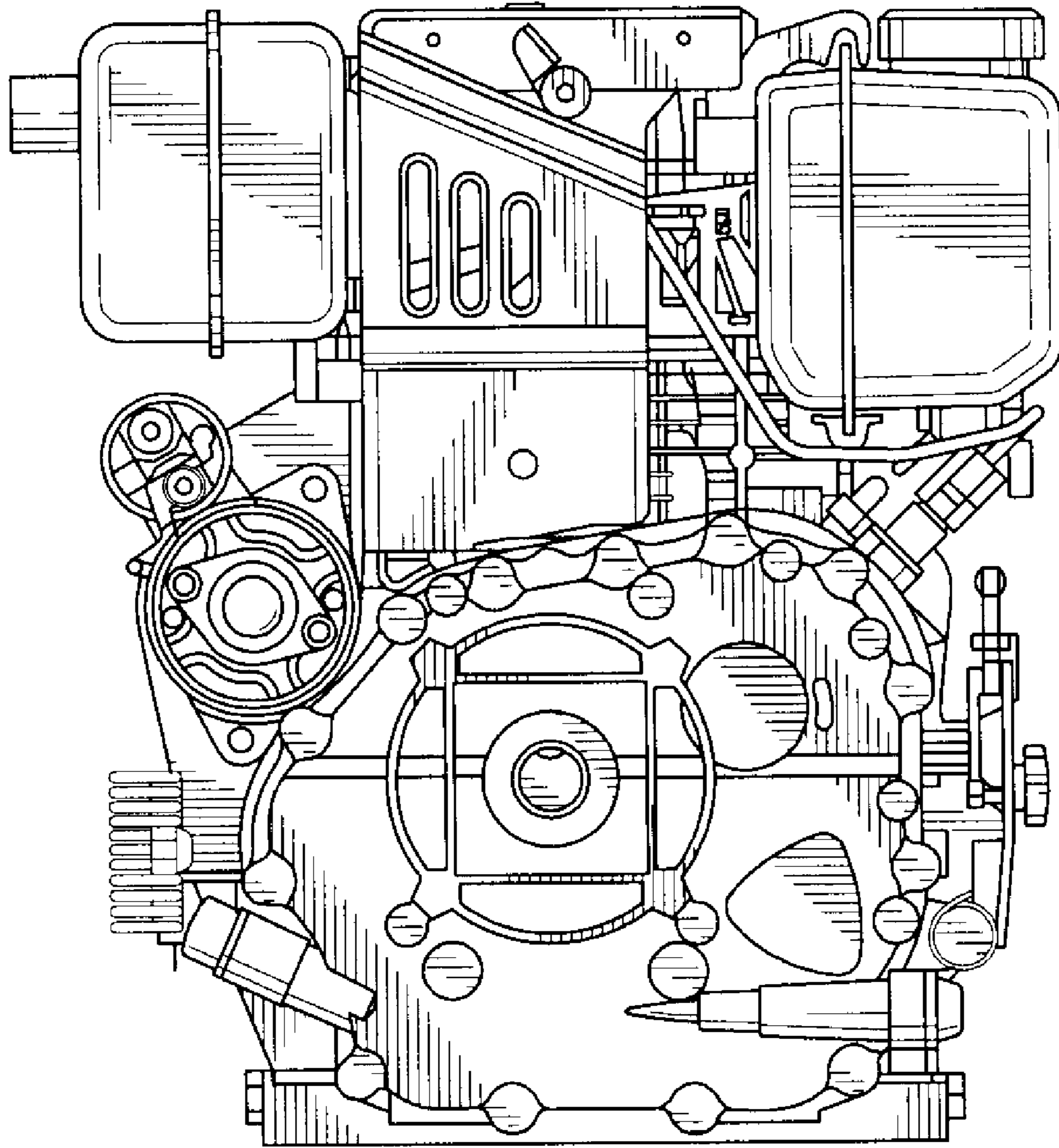


FIG. 7

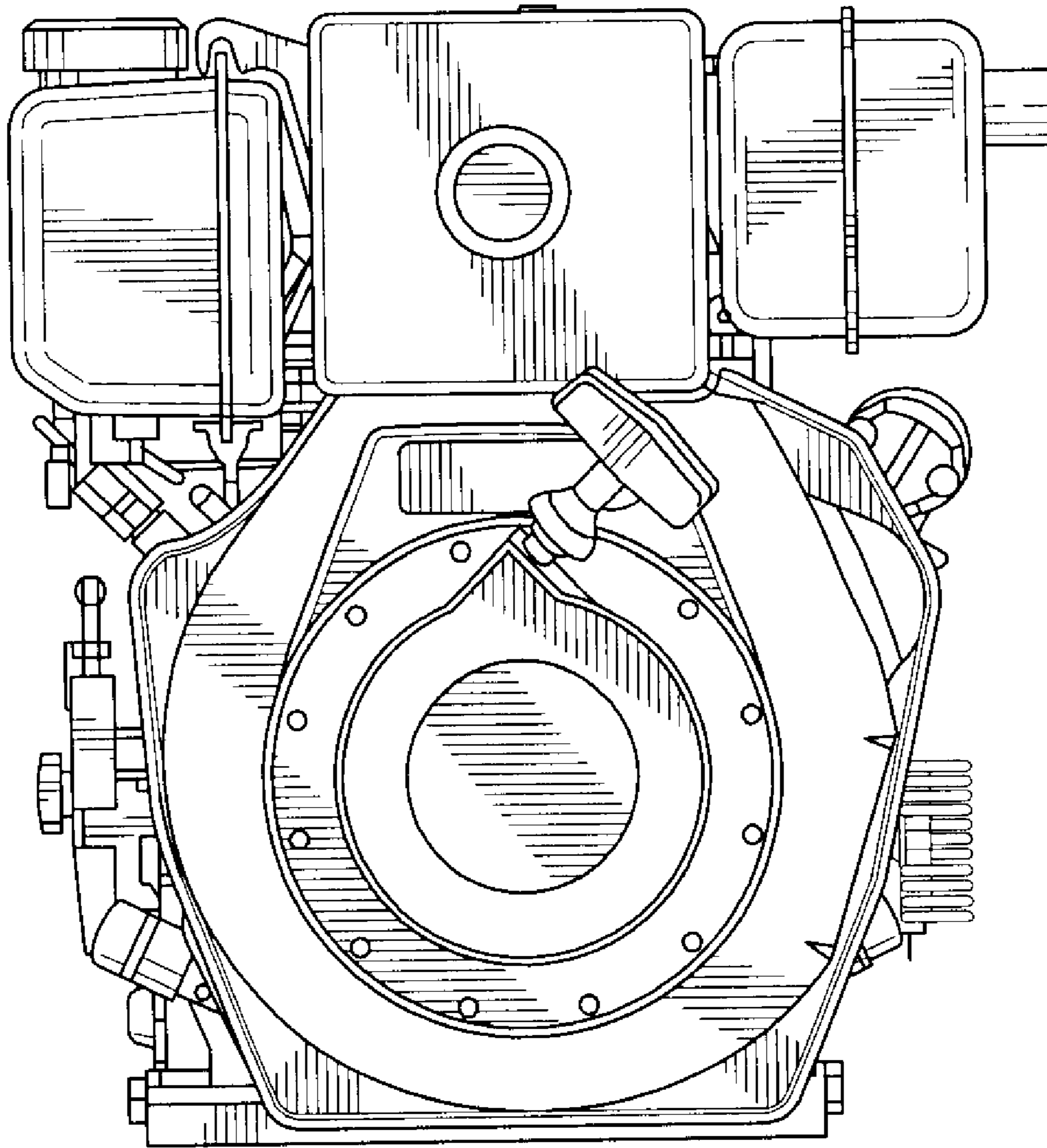


FIG. 8