

US00D527019S

(12) **United States Design Patent**
Shimizu et al.

(10) **Patent No.:** **US D527,019 S**

(45) **Date of Patent:** **** Aug. 22, 2006**

(54) **INTERNAL COMBUSTION ENGINE**

(75) Inventors: **Hirohide Shimizu**, Saitama (JP);
Masayuki Ohsumi, Saitama (JP);
Hiromi Yuzuriha, Saitama (JP);
Masahiro Anzai, Saitama (JP)

(73) Assignee: **Honda Giken Kogyo Kabushiki Kaisha**, Tokyo (JP)

(**) Term: **14 Years**

(21) Appl. No.: **29/187,583**

(22) Filed: **Aug. 5, 2003**

(30) **Foreign Application Priority Data**

Feb. 10, 2003 (JP) 2003-002933

(51) **LOC (8) Cl.** **15-01**

(52) **U.S. Cl.** **D15/1**

(58) **Field of Classification Search** D15/1,
D15/3

See application file for complete search history.

(56) **References Cited**

U.S. PATENT DOCUMENTS

D307,147 S * 4/1990 Sasaki et al. D15/1

D353,381 S * 12/1994 Yoshida et al. D15/1
D396,045 S * 7/1998 Neeley D15/1
D474,783 S * 5/2003 Momoi D15/1

* cited by examiner

Primary Examiner—Ian Simmons

Assistant Examiner—Maurice Stevens

(74) *Attorney, Agent, or Firm*—Westerman, Hattori,
Daniels & Adrian, LLP

(57) **CLAIM**

The ornamental design for an internal combustion engine, as shown and described.

DESCRIPTION

FIG. 1 is a front view of internal-combustion engine, showing my new design;

FIG. 2 is a rear view thereof;

FIG. 3 is a top view thereof;

FIG. 4 is a right side view thereof;

FIG. 5 is a left side view thereof;

FIG. 6 is a perspective view thereof; and,

FIG. 7 is another perspective view thereof.

1 Claim, 7 Drawing Sheets

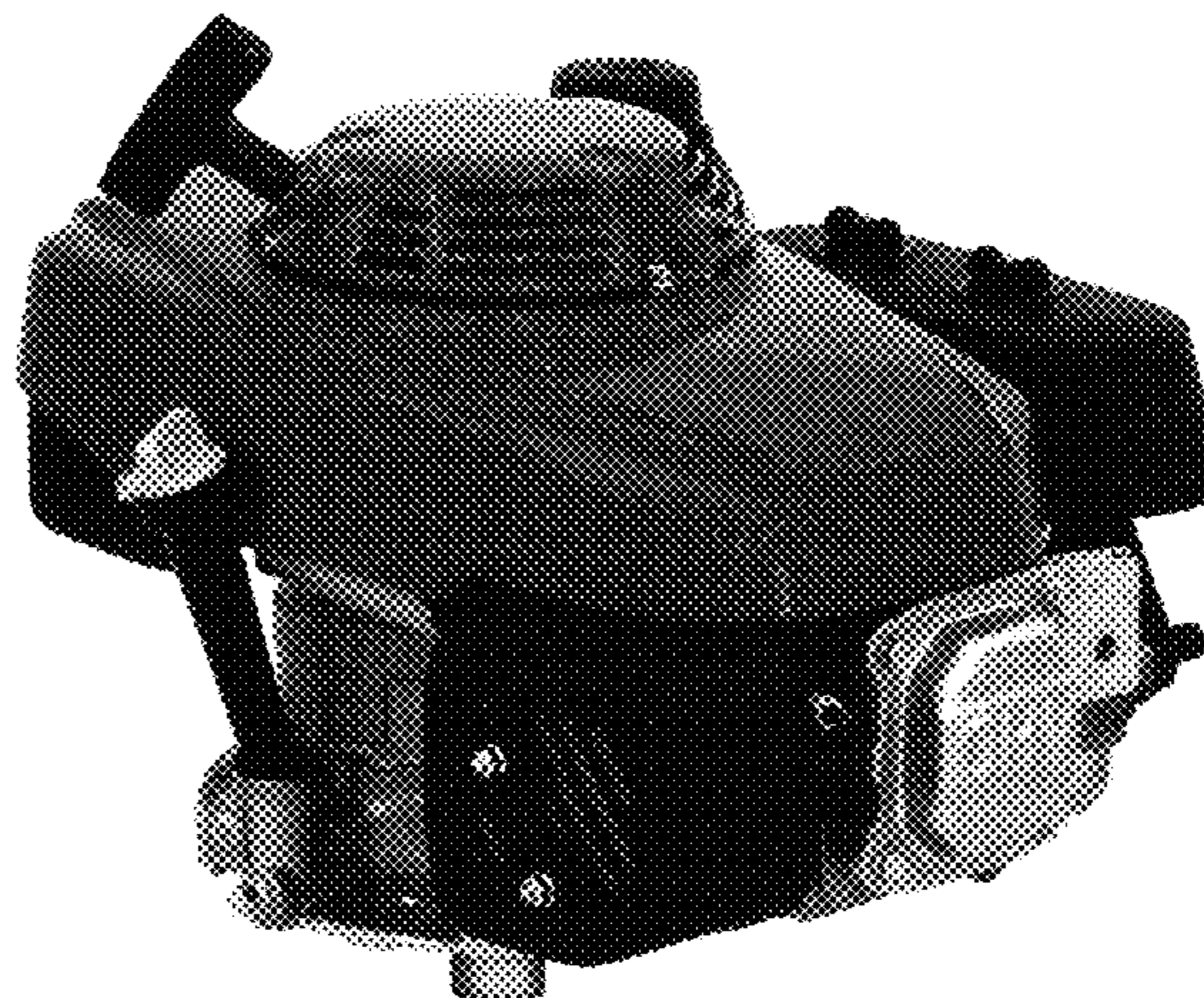
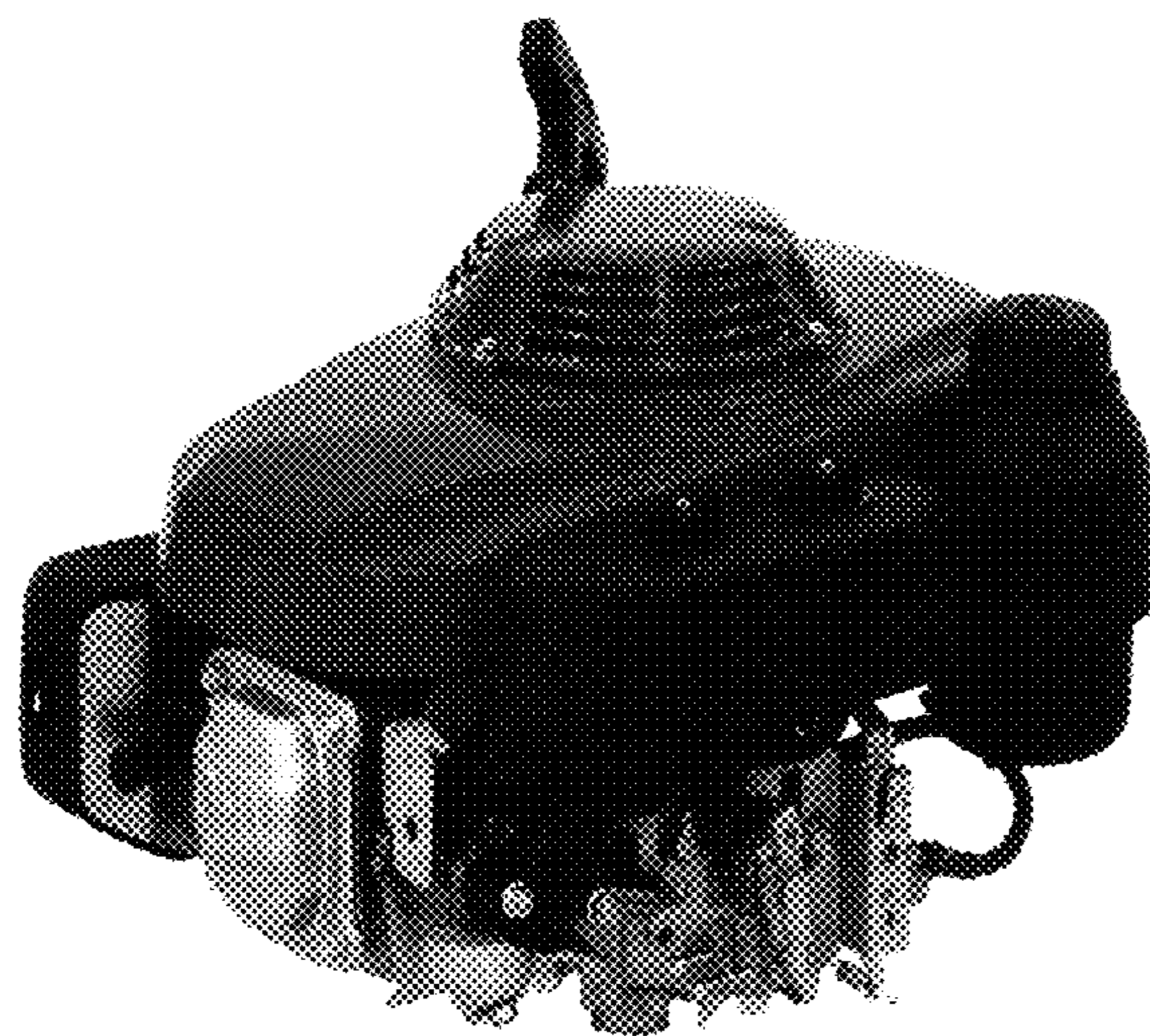


FIG. 1

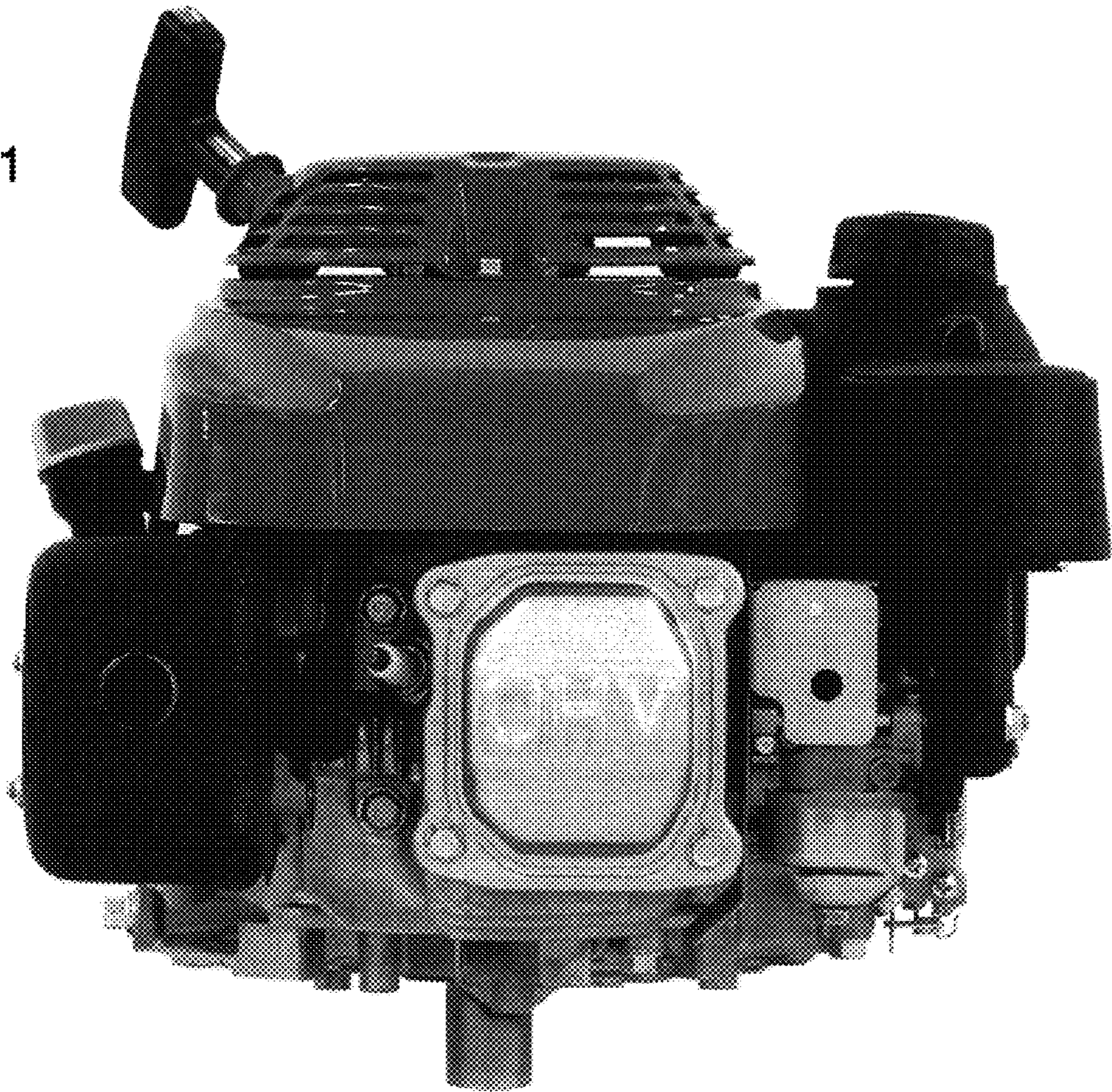


FIG.2

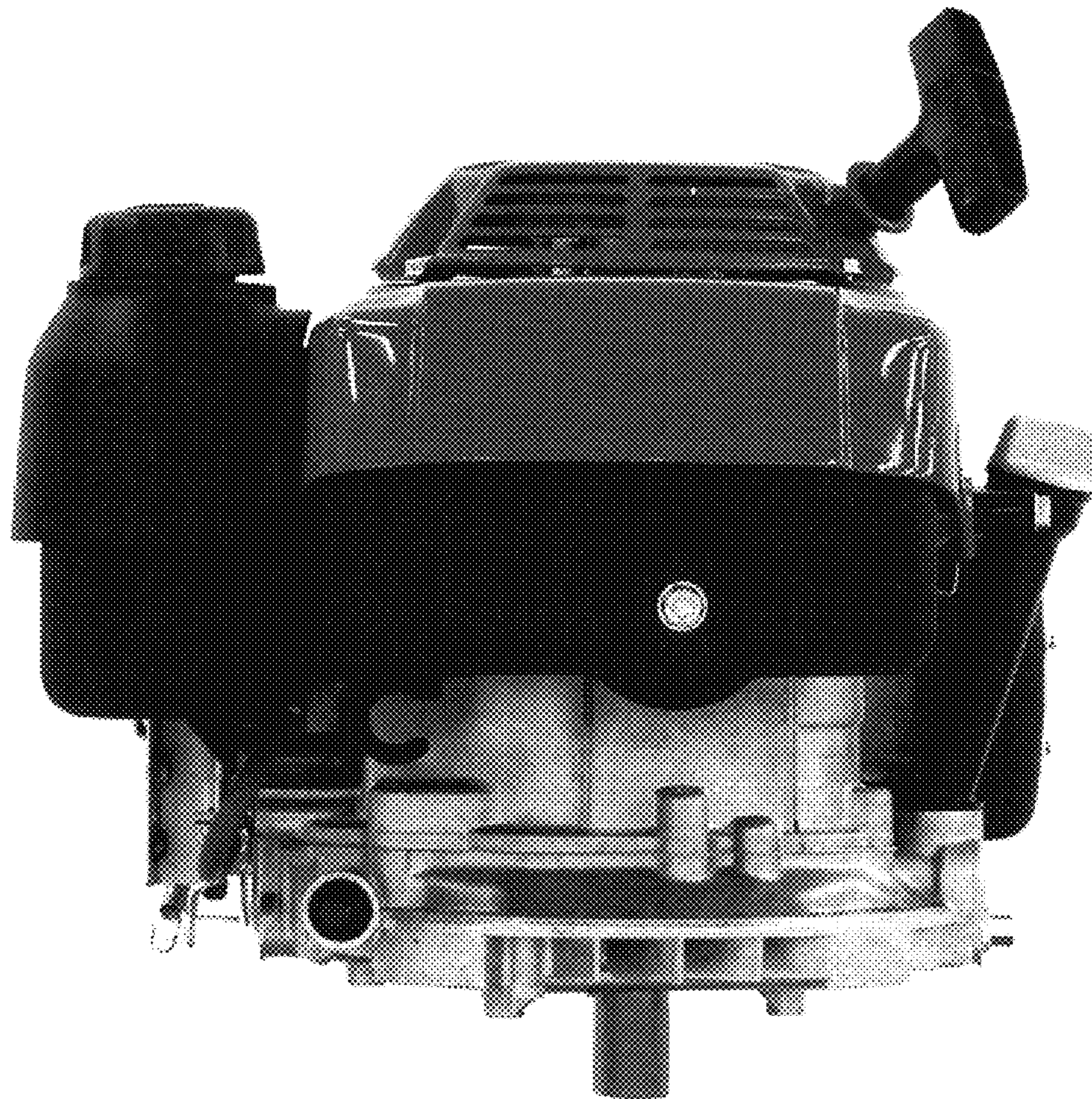


FIG.3

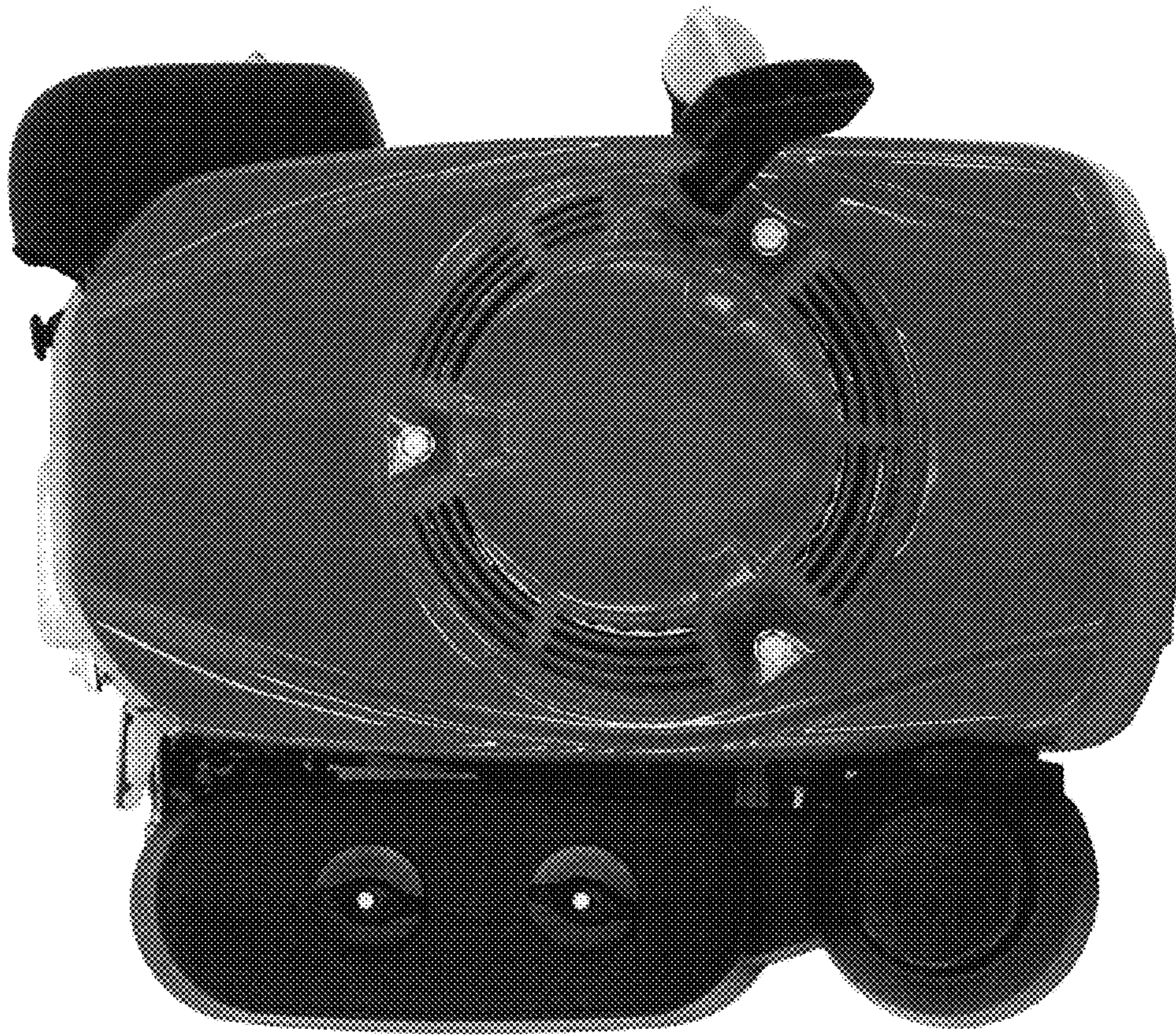


FIG.4

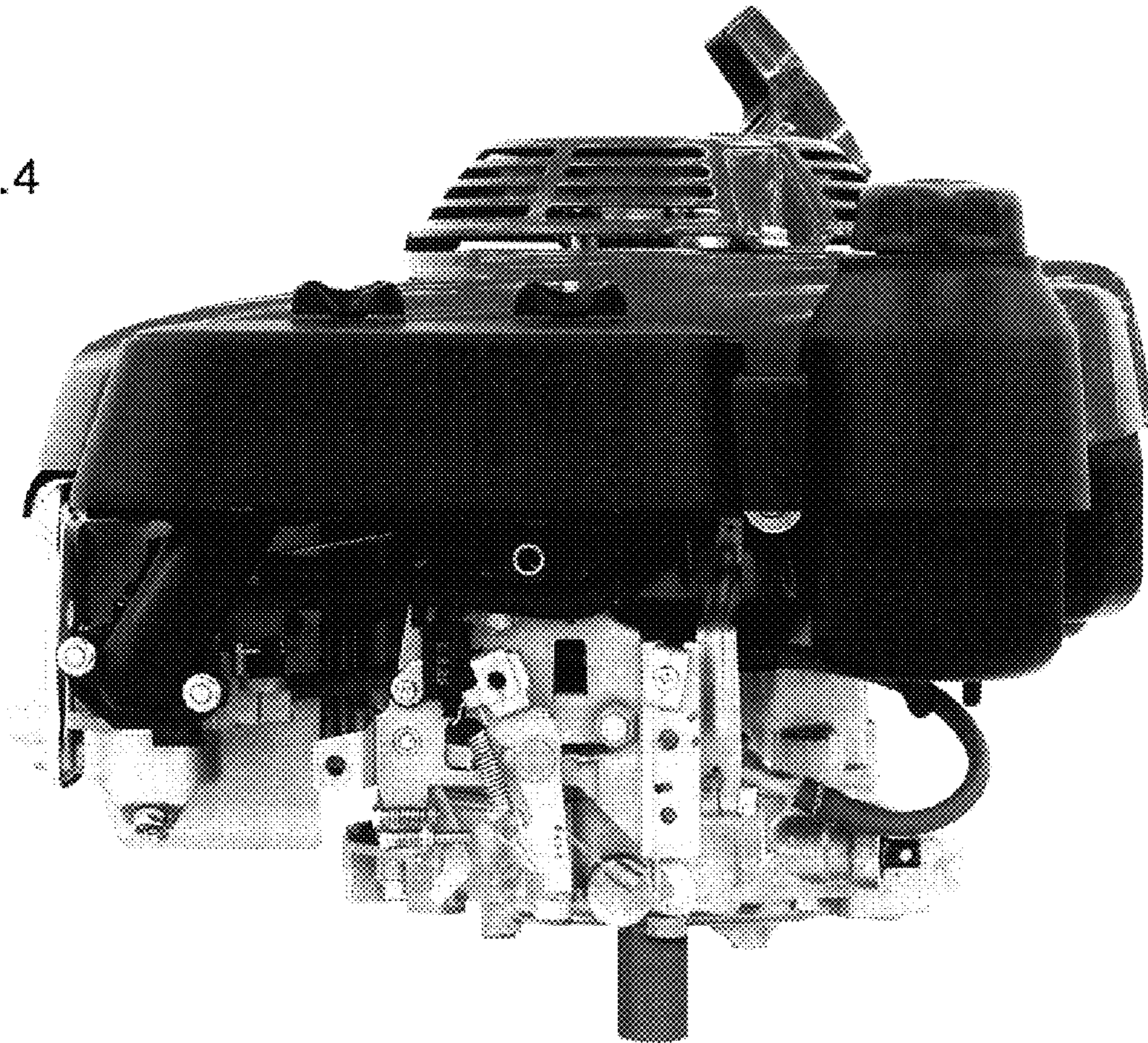


FIG. 5

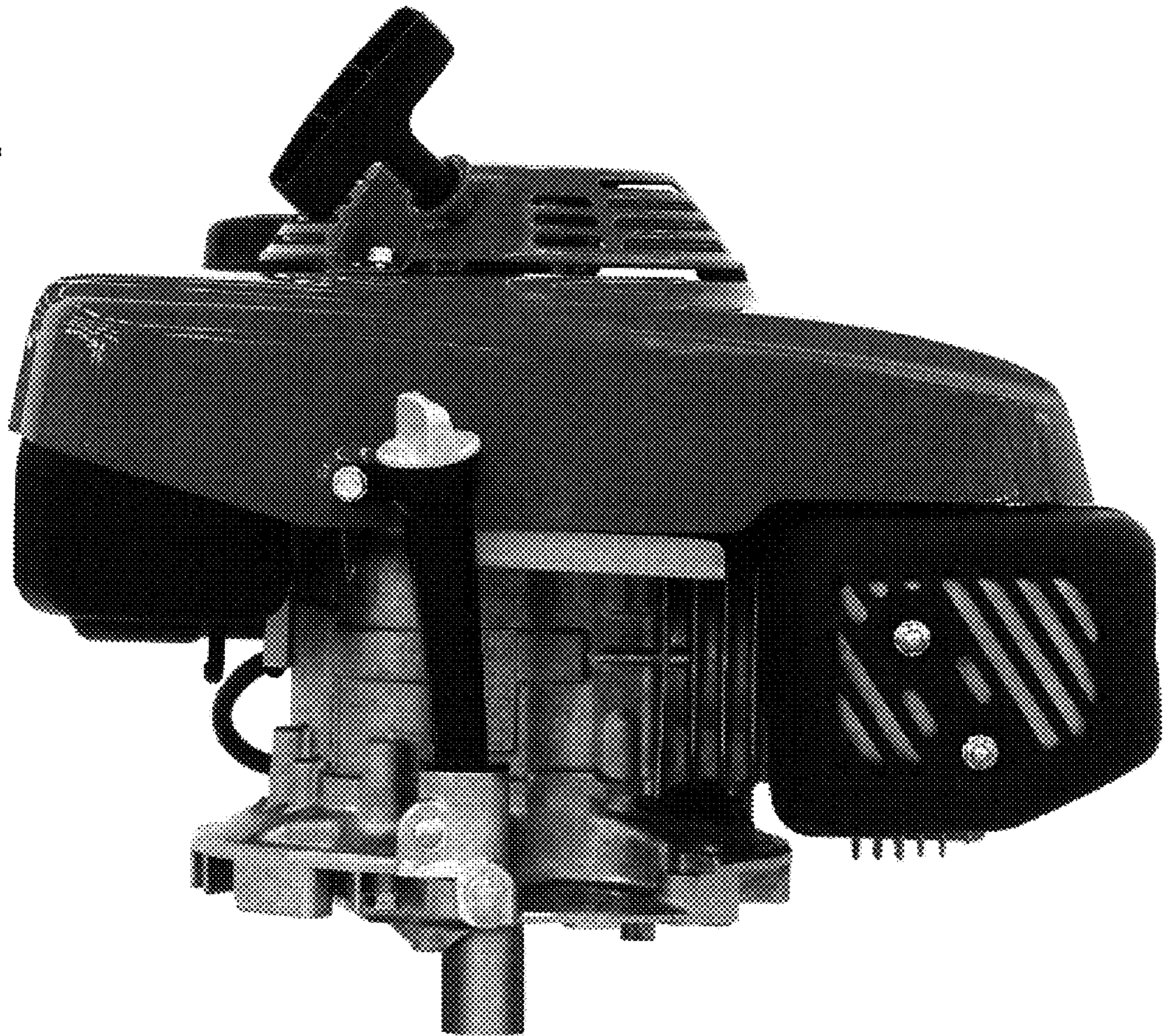


FIG.6



FIG.7

