



US00D527017S

(12) **United States Design Patent** (10) **Patent No.:** **US D527,017 S**  
**Kim** (45) **Date of Patent:** **\*\* Aug. 22, 2006**

(54) **MP3 PLAYER**

(75) Inventor: **Byung-Soo Kim**, Seoul (KR)

(73) Assignee: **Samsung Electronics Co., Ltd.**,  
Kyunggi-do (KR)

(\*\*) Term: **14 Years**

(21) Appl. No.: **29/235,013**

(22) Filed: **Jul. 26, 2005**

(51) **LOC (8) Cl.** ..... **14-03**

(52) **U.S. Cl.** ..... **D14/496**

(58) **Field of Classification Search** ..... D14/496,  
D14/137, 138, 155, 156, 160, 168, 173, 188,  
D14/265; 455/3.01, 3.06, 90.1-90.3, 347-351;  
369/6-12, 75.11; 345/156, 1.1, 903, 905;  
340/539.11, 825.25; 710/1, 8, 62-68, 72-74  
See application file for complete search history.

(56) **References Cited**

**U.S. PATENT DOCUMENTS**

6,227,966	B1	*	5/2001	Yokoi	.....	463/1
6,287,193	B1	*	9/2001	Rehkemper et al.	.....	463/1
6,606,281	B1	*	8/2003	Cowgill et al.	.....	369/11
D497,892	S	*	11/2004	Peng	.....	D14/138
D511,337	S	*	11/2005	Kim	.....	D14/156
D513,506	S	*	1/2006	Zeitman	.....	D14/156
D514,122	S	*	1/2006	Rodarte	.....	D14/496
D516,082	S	*	2/2006	Lewis	.....	D14/496

**OTHER PUBLICATIONS**

U.S. Appl. No. 29/231,248, Applicant: Young-Soo Kim, et al., filed Jun. 2, 2005 entitled MP3 Player.

U.S. Appl. No. 29/235,008, Applicant: Seog-Guen Kim, filed Jul. 26, 2005 entitled MP3 Player for Combining Digital Camera.

U.S. Appl. No. 29/235,010, Applicant: Wesley Millora, filed Jul. 26, 2005 entitled MP3 Player.

U.S. Appl. No. 29/235,011, Applicant: Dong-Min Lee, filed Jul. 26, 2005 entitled MP3 Player.

U.S. Appl. No. 29/235,012, Applicant: Tae-Ho Kim, filed Jul. 26, 2005 entitled Digital Camera for Combining MP3 Player.

U.S. Appl. No. 29/235,014, Applicant: Tae-Ho Kim, filed Jul. 26, 2005 entitled MP3 Player.

U.S. Appl. No. 29/235,015, Applicant: Seog-Guen Kim, filed Jul. 26, 2005 entitled MP3 Player for Combining Digital Camera.

U.S. Appl. No. 29/236,120, Applicant: Yong-Seok Bang, filed Aug. 11, 2005 entitled MP3 Player.

U.S. Appl. No. 29/236,250, Applicant: James Choe, filed Aug. 12, 2005 entitled MP3 Player.

\* cited by examiner

*Primary Examiner*—Prabhakar Deshmukh

(74) *Attorney, Agent, or Firm*—Flynn, Thiel, Boutell & Tanis, P.C.

(57) **CLAIM**

The ornamental design for a MP3 player, as shown and described.

**DESCRIPTION**

FIG. 1. is a top front perspective view of a MP3 player showing my new design.

FIG. 2. is a front elevational view thereof.

FIG. 3. is a rear elevational view thereof.

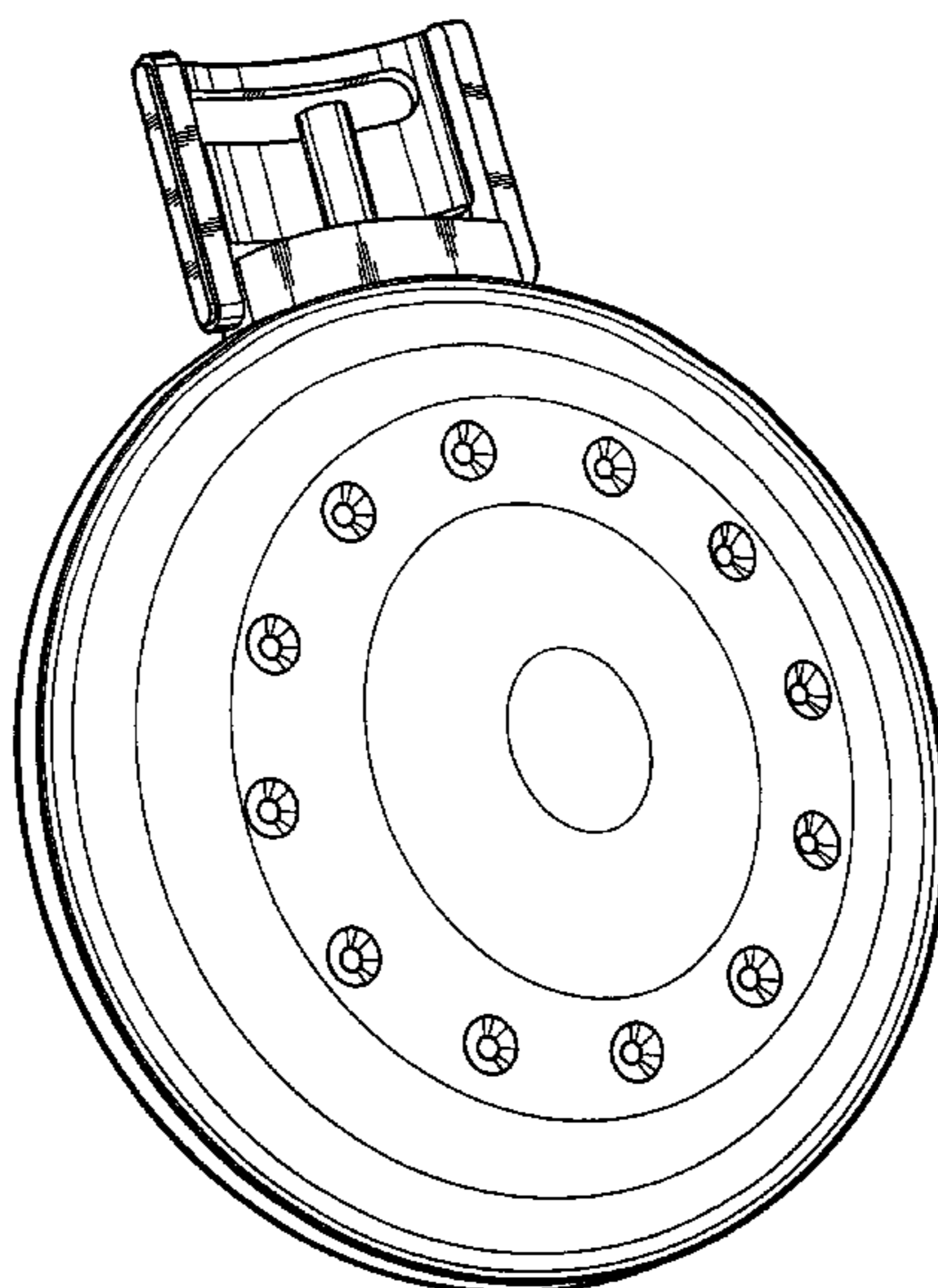
FIG. 4. is a left side elevational view thereof.

FIG. 5. is a right side elevational view thereof.

FIG. 6. is a top plan view thereof; and,

FIG. 7. is a bottom plan view thereof.

**1 Claim, 5 Drawing Sheets**



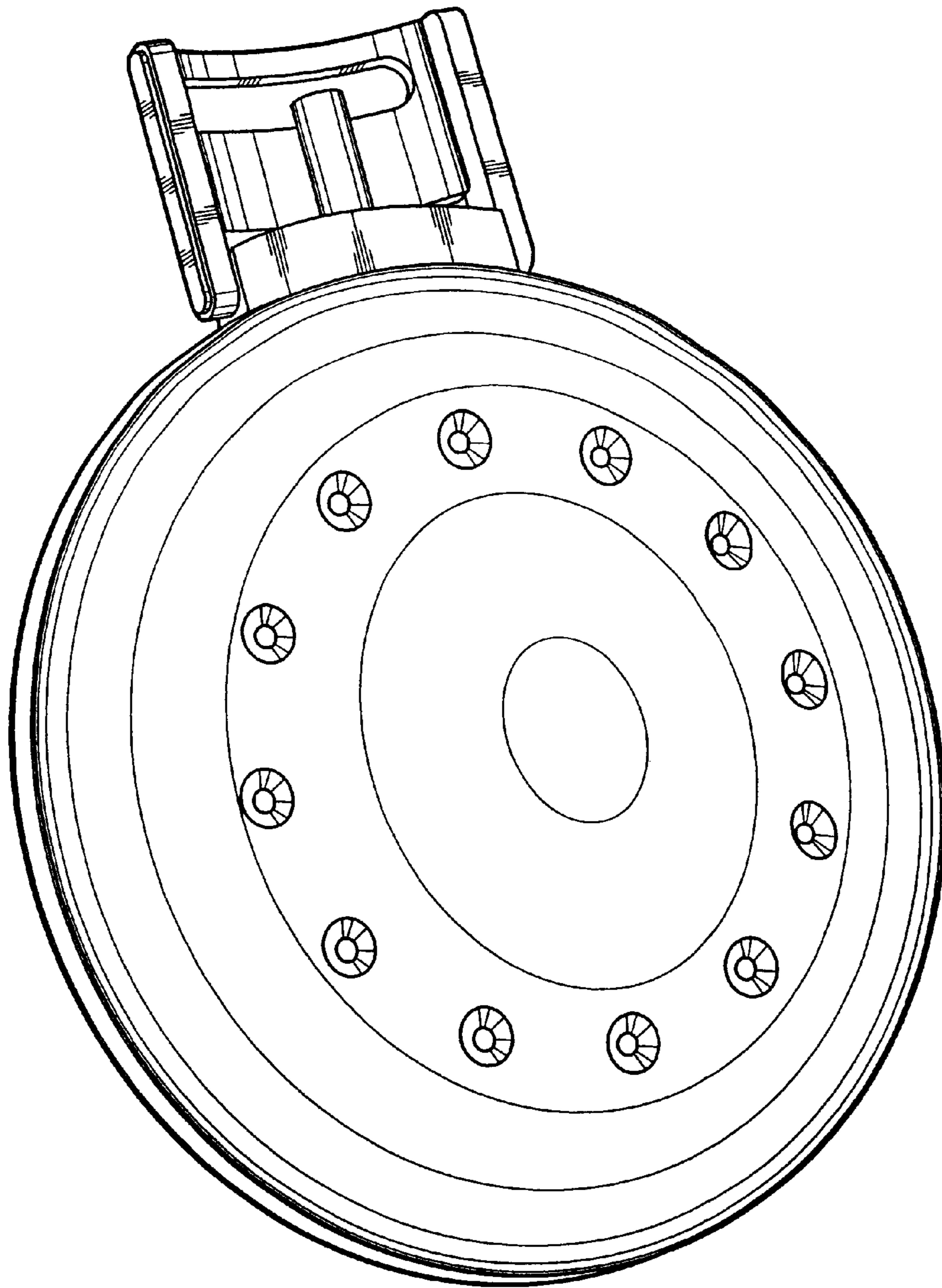


FIG. 1

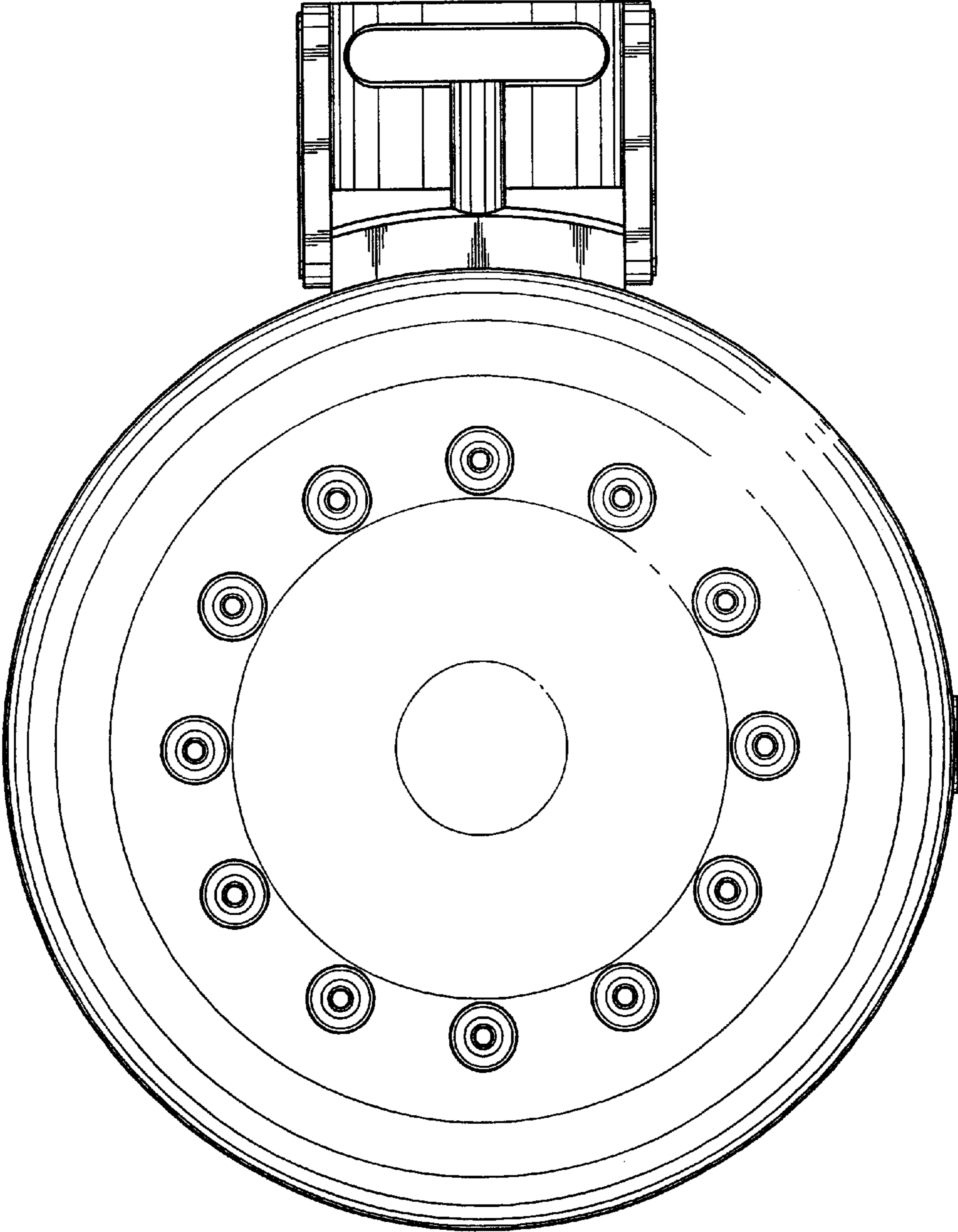


FIG.2

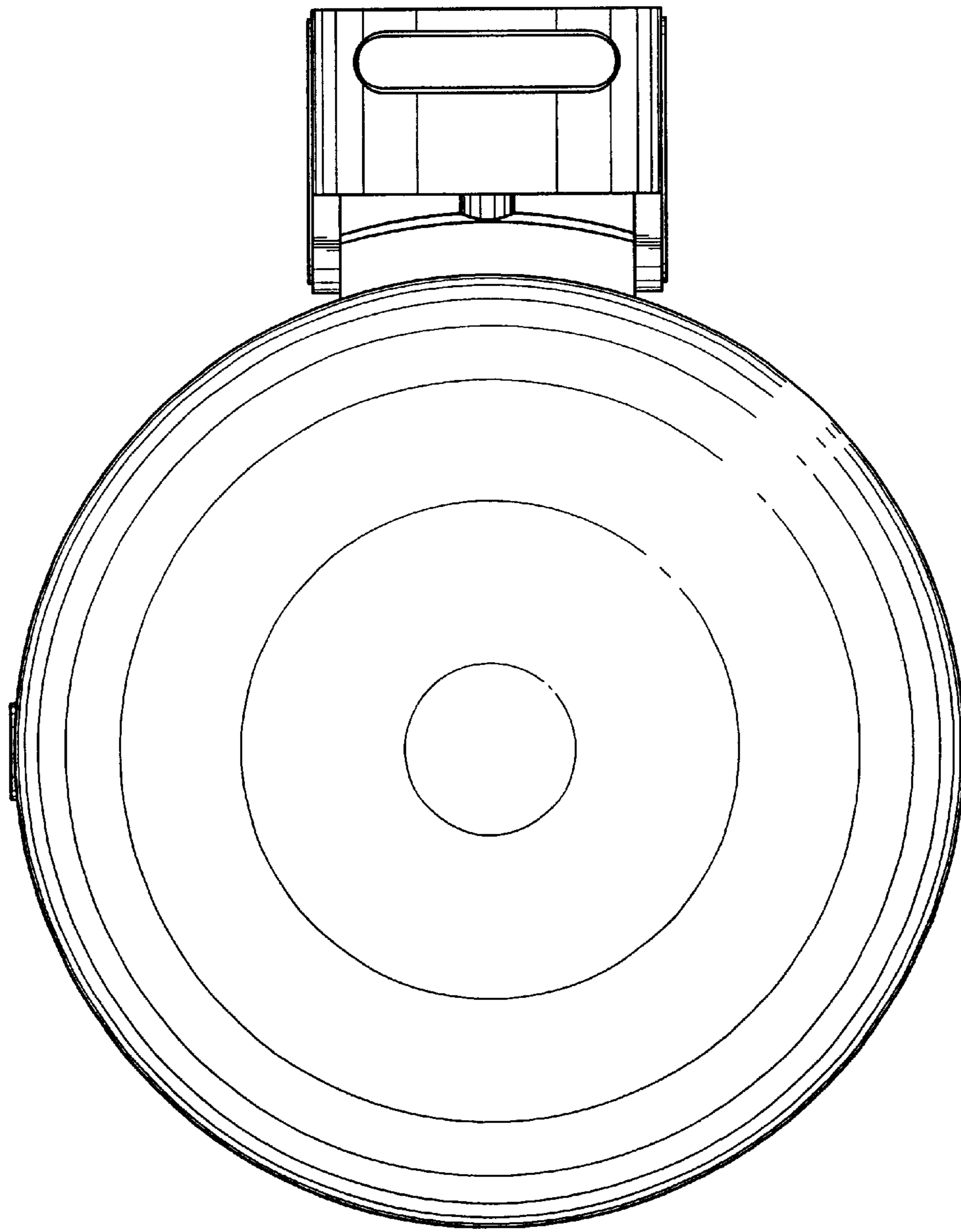


FIG. 3

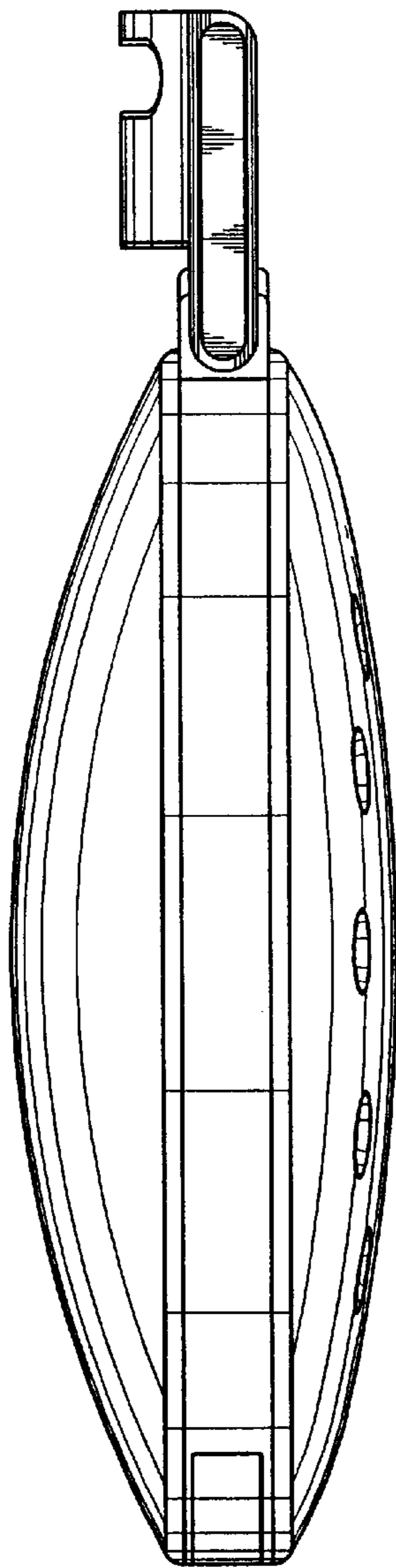


FIG. 4

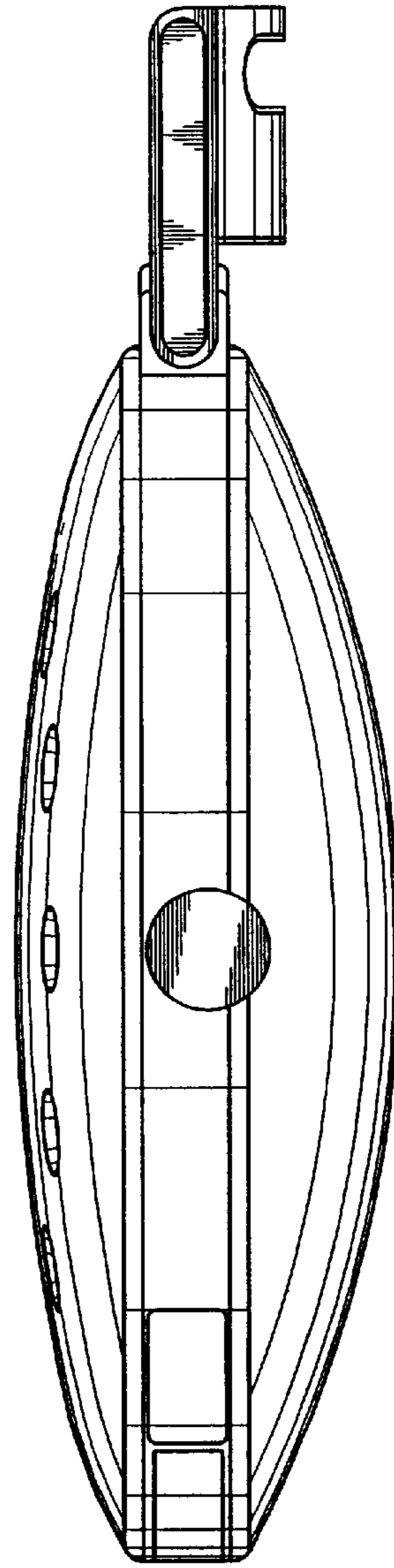


FIG. 5

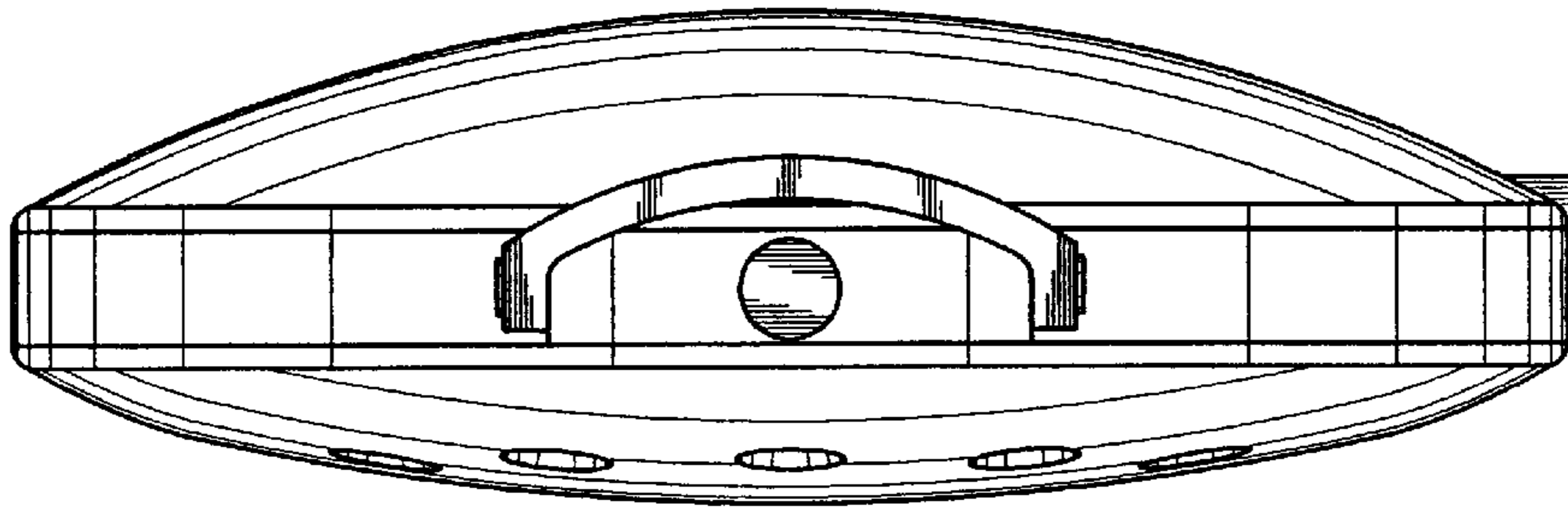


FIG. 6

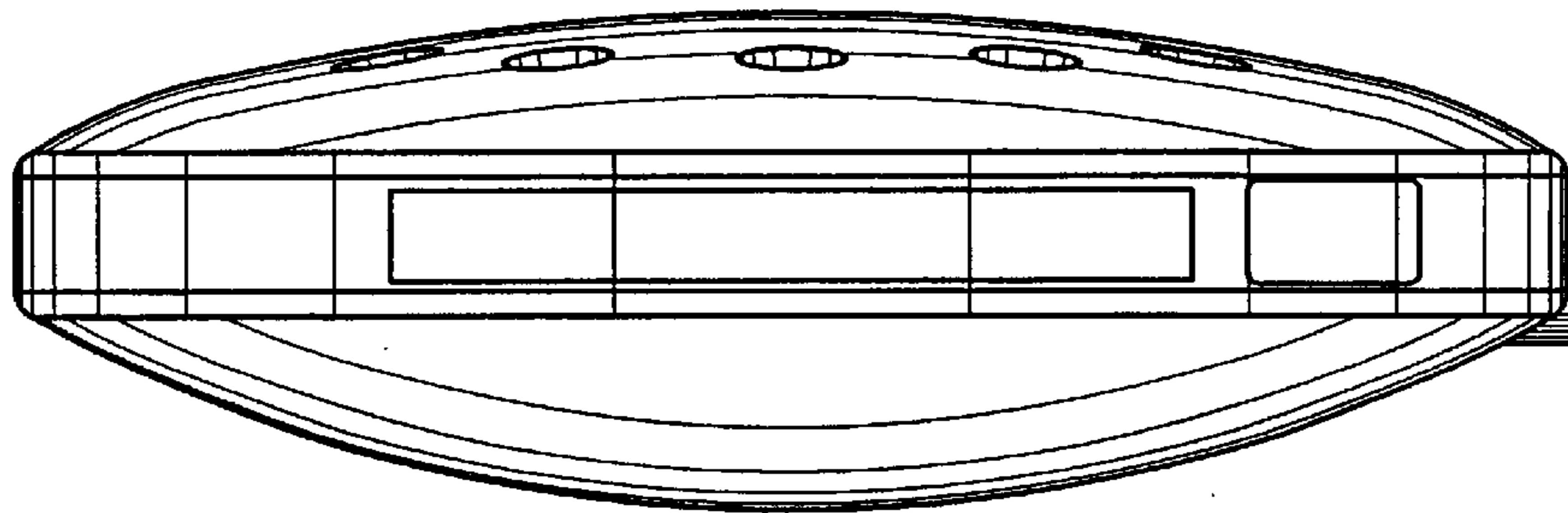


FIG. 7