



US00D527008S

(12) **United States Design Patent**  
**Greenrod**

(10) **Patent No.:** **US D527,008 S**

(45) **Date of Patent:** **\*\* Aug. 22, 2006**

(54) **OPTICAL CODE READER**

(75) Inventor: **Peter Joseph Greenrod**, Coventry  
(GB)

(73) Assignee: **Edward Pryor & Son Limited** (GB)

(\*\*) Term: **14 Years**

(21) Appl. No.: **29/226,451**

(22) Filed: **Mar. 28, 2005**

(30) **Foreign Application Priority Data**

Oct. 20, 2004 (EM) ..... 000245907

(51) **LOC (8) Cl.** ..... **14-02**

(52) **U.S. Cl.** ..... **D14/420**

(58) **Field of Classification Search** ..... D14/420,  
D14/423, 428, 426, 226; D15/144; D16/208,  
D16/214, 232; D18/37, 39, 45; 250/582;  
235/435, 454, 462.01, 462.11, 462.13, 462.24,  
235/462.32, 472.01, 462.43-462.45

See application file for complete search history.

(56) **References Cited**

**U.S. PATENT DOCUMENTS**

- D264,581 S \* 5/1982 Mobius ..... D13/101
- 5,140,141 A \* 8/1992 Inagaki et al. .... 235/462.43
- 5,229,590 A \* 7/1993 Harden et al. .... 235/462.45
- D364,388 S \* 11/1995 Miyahara ..... D14/423
- 5,750,975 A \* 5/1998 Myerson et al. .... 235/462.45
- D399,192 S \* 10/1998 Hasegawa ..... D14/423
- D426,239 S \* 6/2000 Adachi ..... D14/420
- 6,223,988 B1 \* 5/2001 Batterman et al. .... 235/472.01

6,247,649 B1 \* 6/2001 Nada ..... 235/462.45

\* cited by examiner

*Primary Examiner*—M. H. Tung

*Assistant Examiner*—Susan Moon Lee

(74) *Attorney, Agent, or Firm*—Fish & Richardson P.C.

(57) **CLAIM**

The ornamental design for an optical code reader, as shown and described.

**DESCRIPTION**

FIG. 1 is a perspective view of an optical code reader having a cylindrical base.

FIG. 2 is a front view of the optical code reader of FIG. 1.

FIG. 3 is a rear view of the optical code reader of FIG. 1.

FIG. 4 is a side view of the optical code reader of FIG. 1.

FIG. 5 is an opposite side view of the optical code reader of FIG. 1.

FIG. 6 is a top view of the optical code reader of FIG. 1.

FIG. 7 is a bottom view of the optical code reader of FIG. 1.

FIG. 8 is a perspective view of an optical code reader having a rectangular base.

FIG. 9 is a front view of the optical code reader of FIG. 8.

FIG. 10 is a rear view of the optical code reader of FIG. 8.

FIG. 11 is a side view of the optical code reader of FIG. 8.

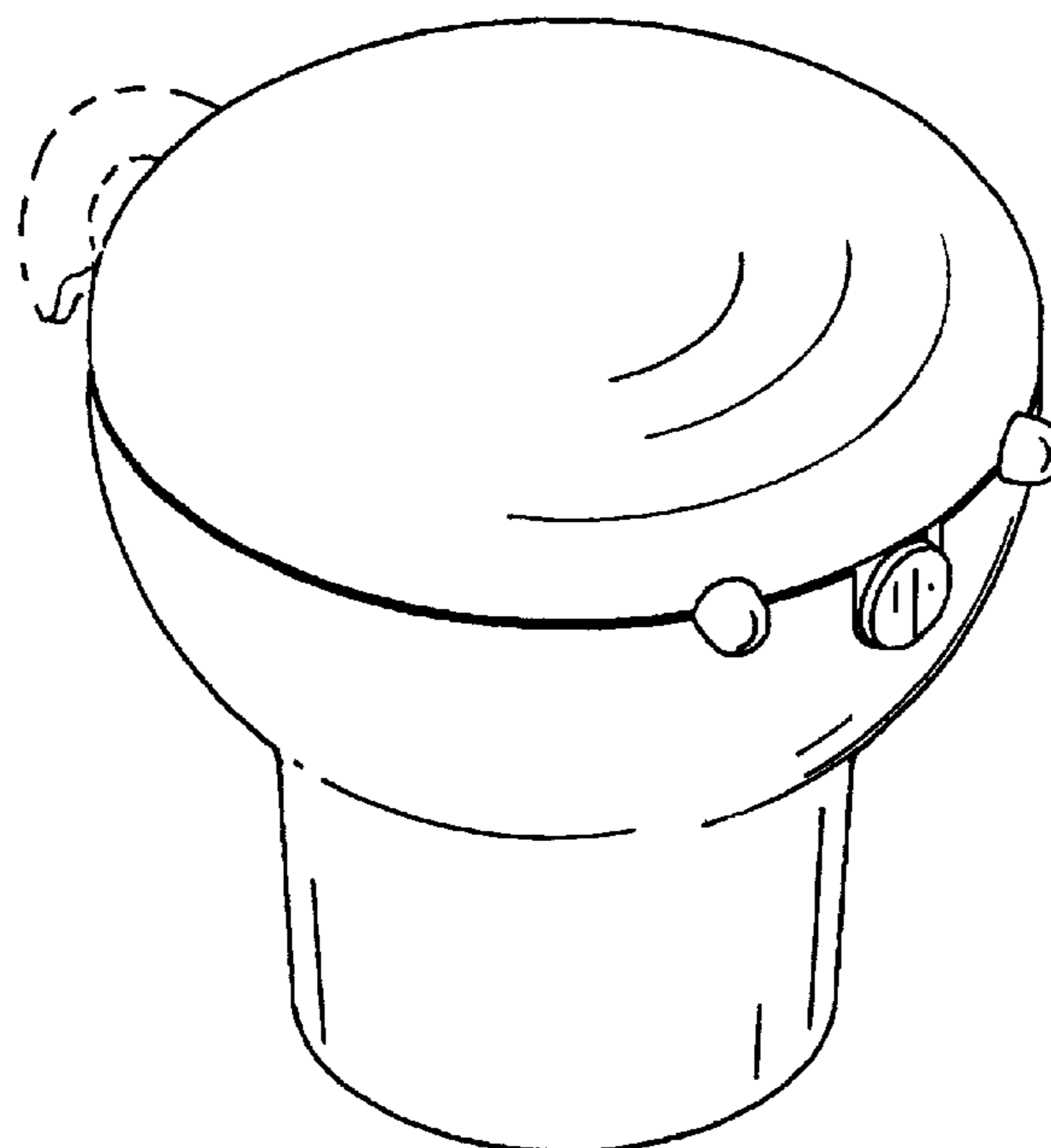
FIG. 12 is an opposite side view of the optical code reader of FIG. 8.

FIG. 13 is a top view of the optical code reader of FIG. 8; and,

FIG. 14 is a bottom view of the optical code reader of FIG. 8.

The broken line showing of a cord is for illustrative purposes only and forms no part of the claimed design.

**1 Claim, 6 Drawing Sheets**



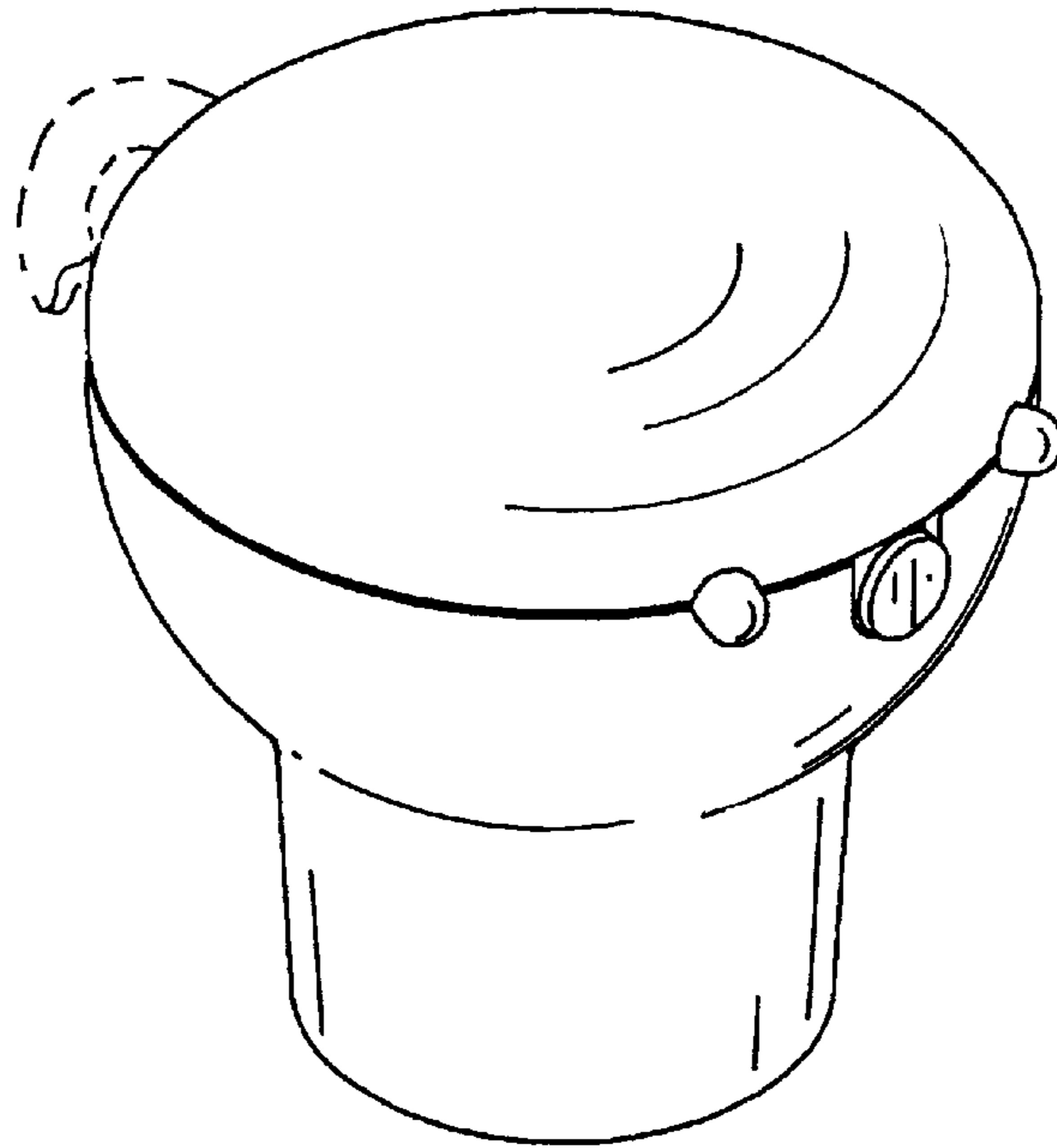


FIG. 1

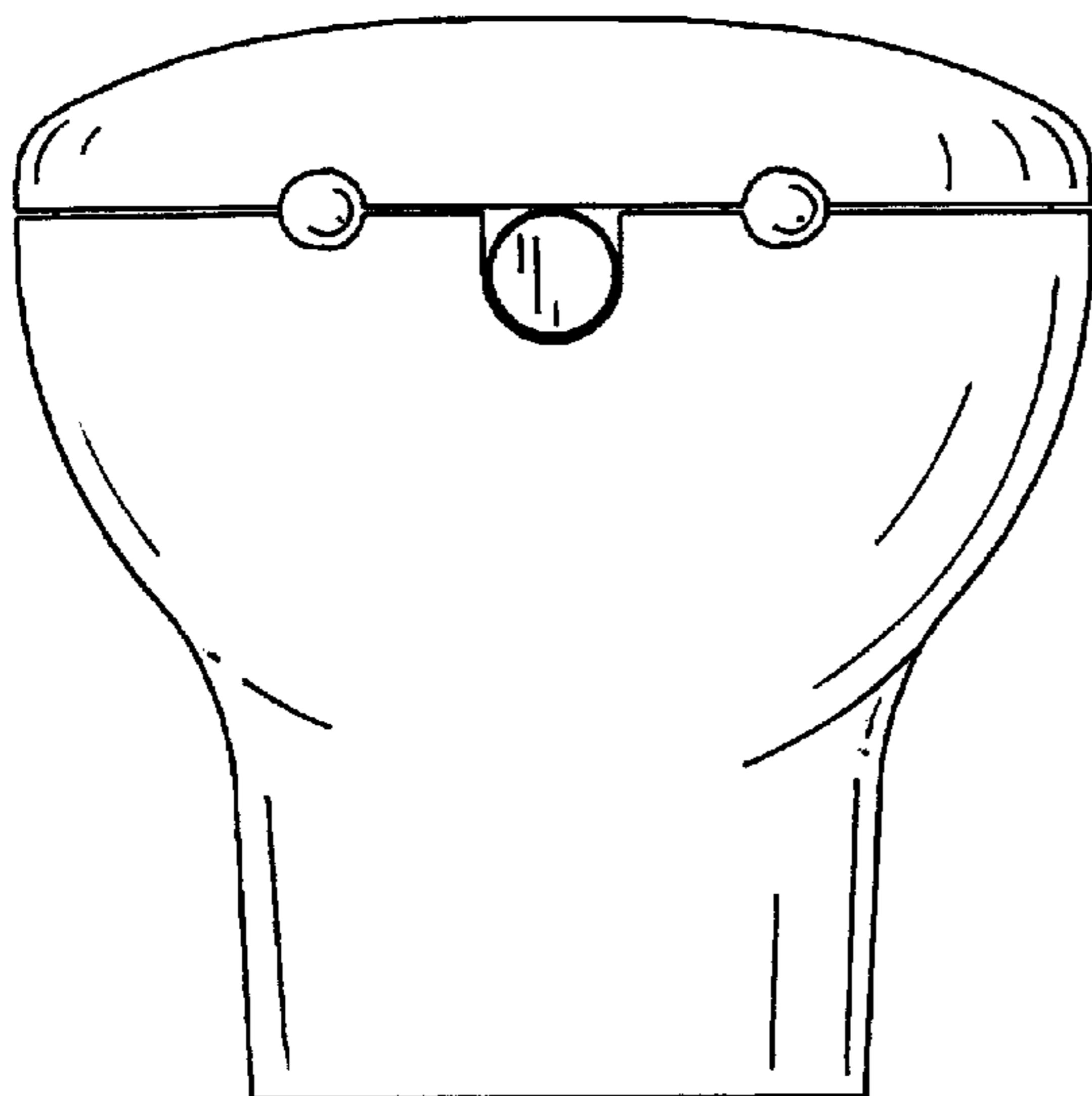


FIG. 2

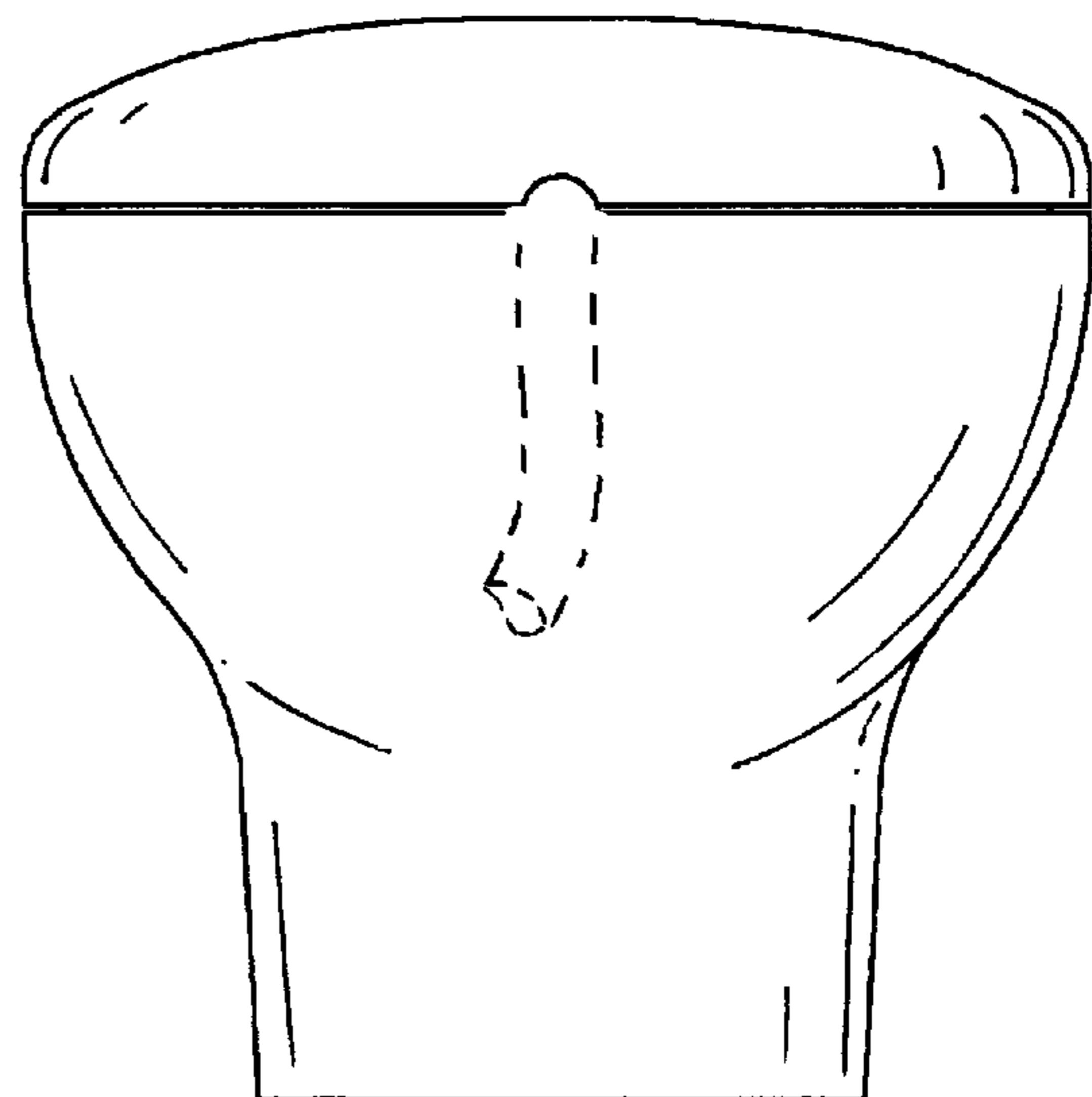


FIG. 3

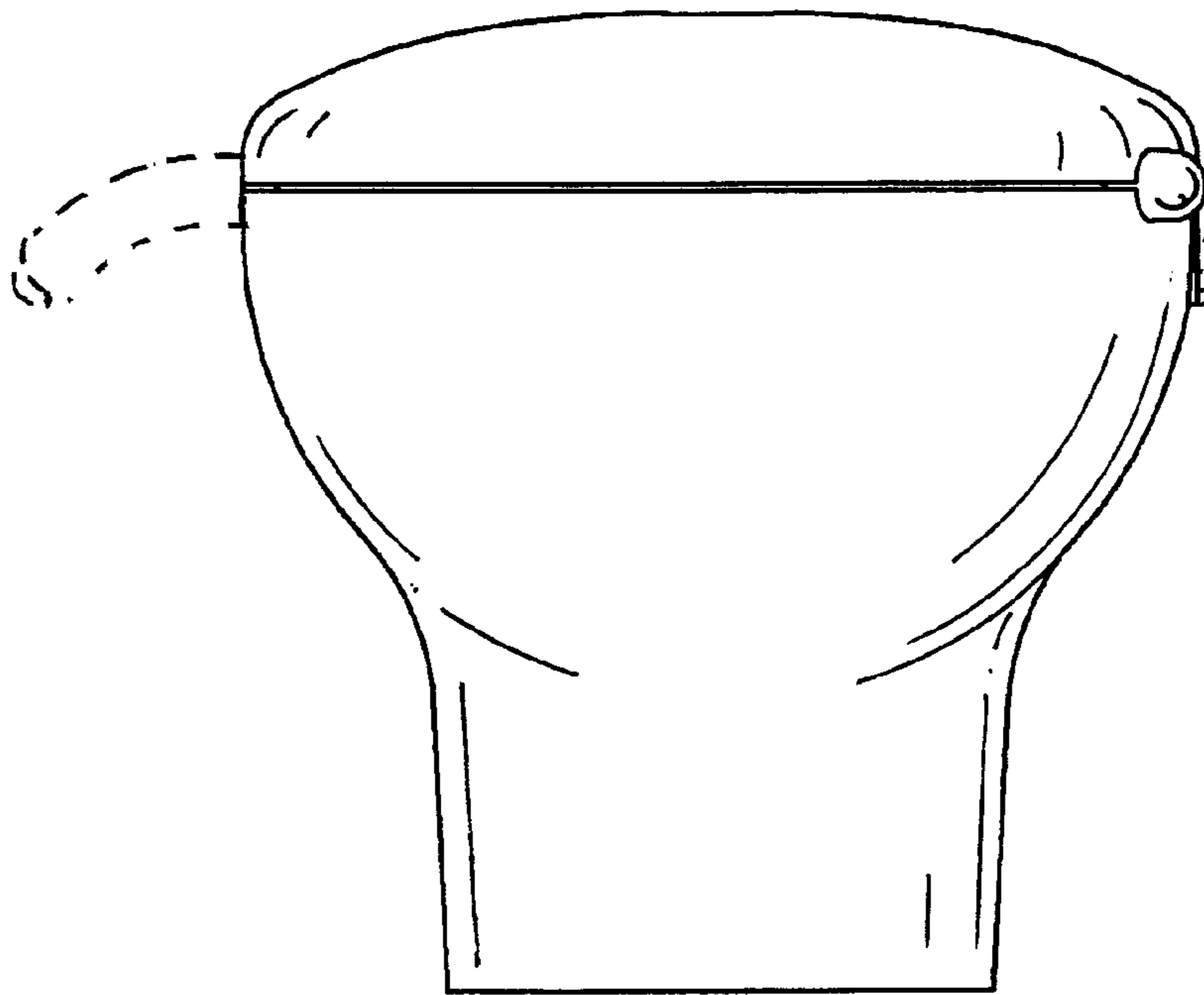


FIG. 4

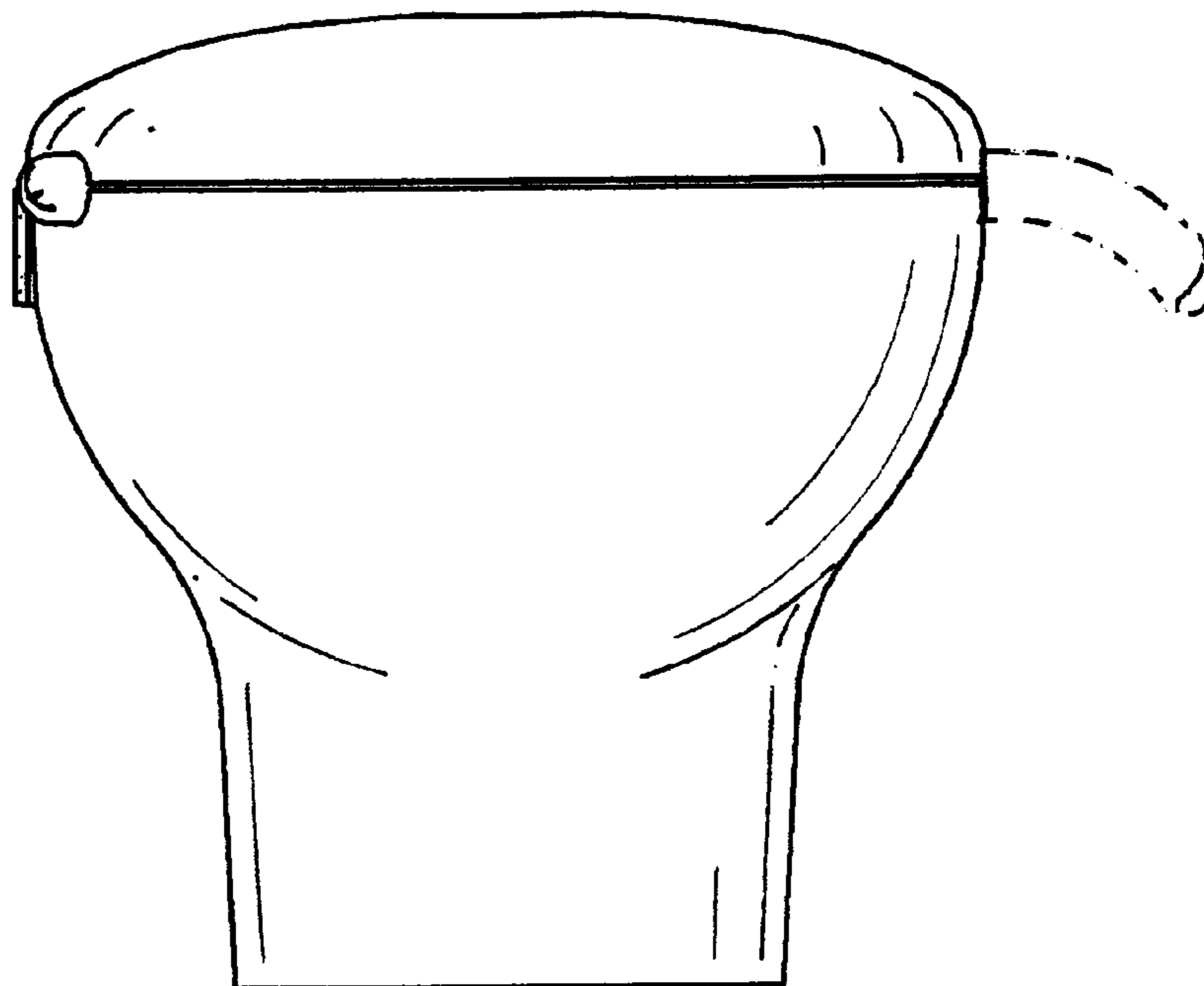


FIG. 5

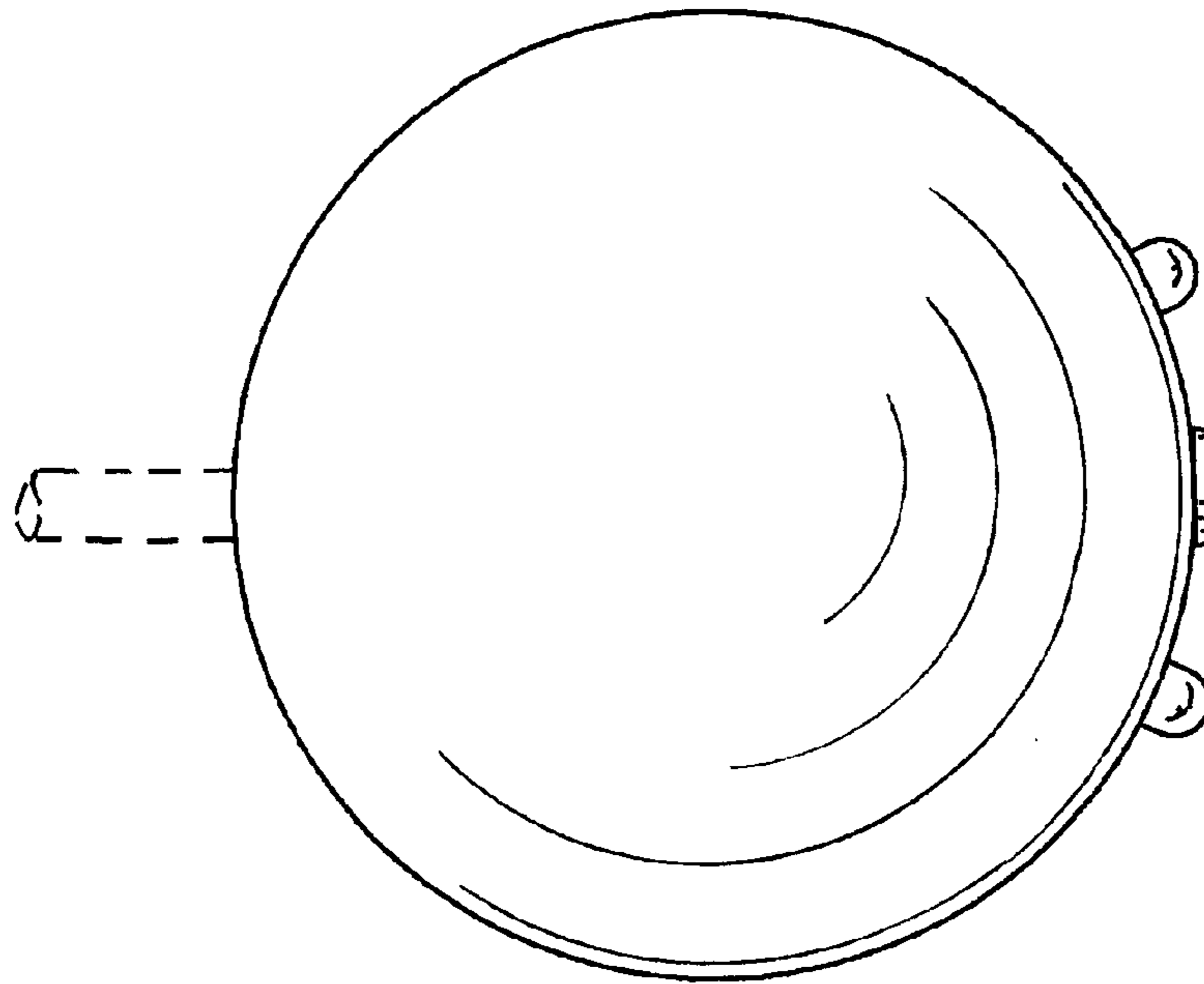


FIG. 6

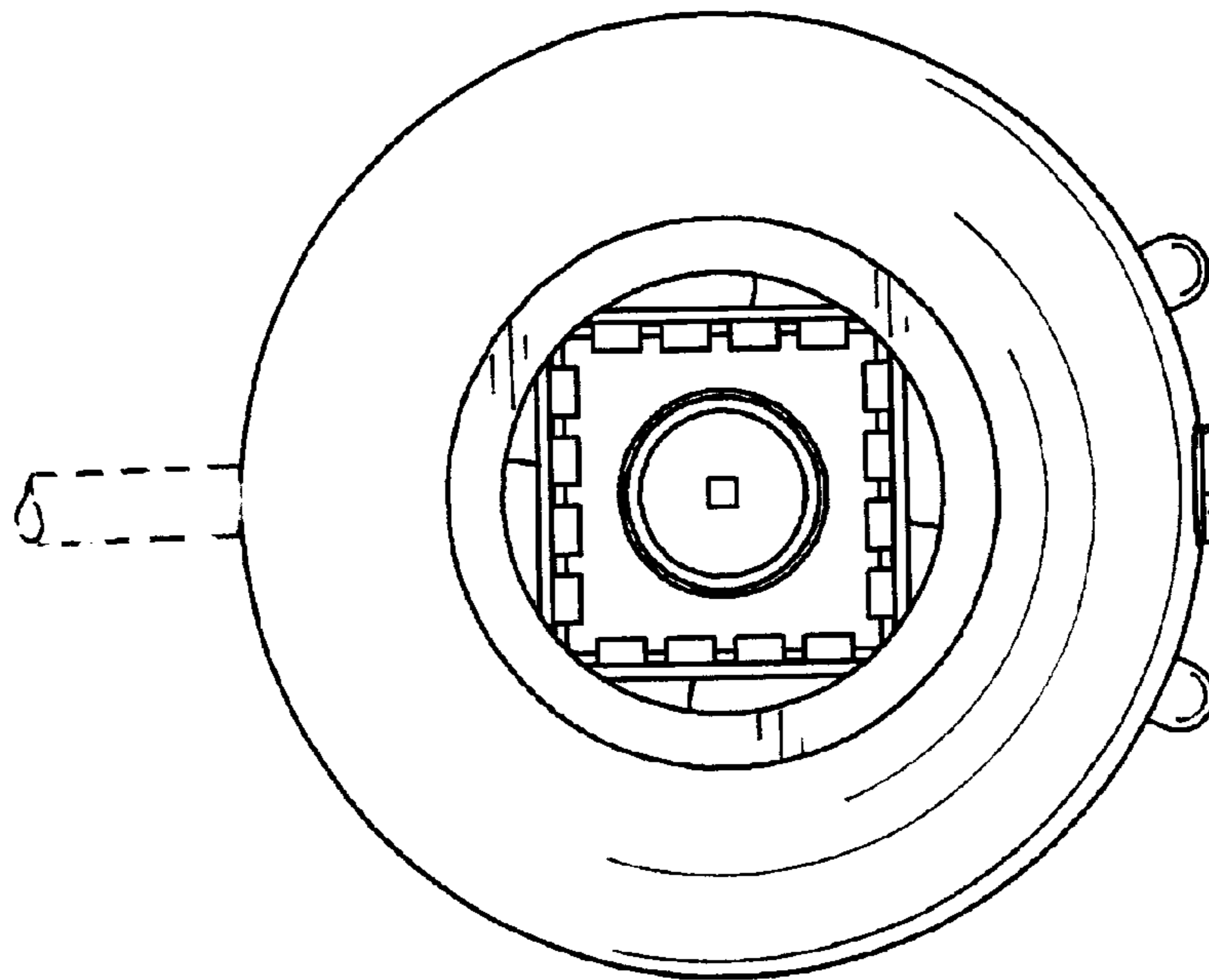


FIG. 7

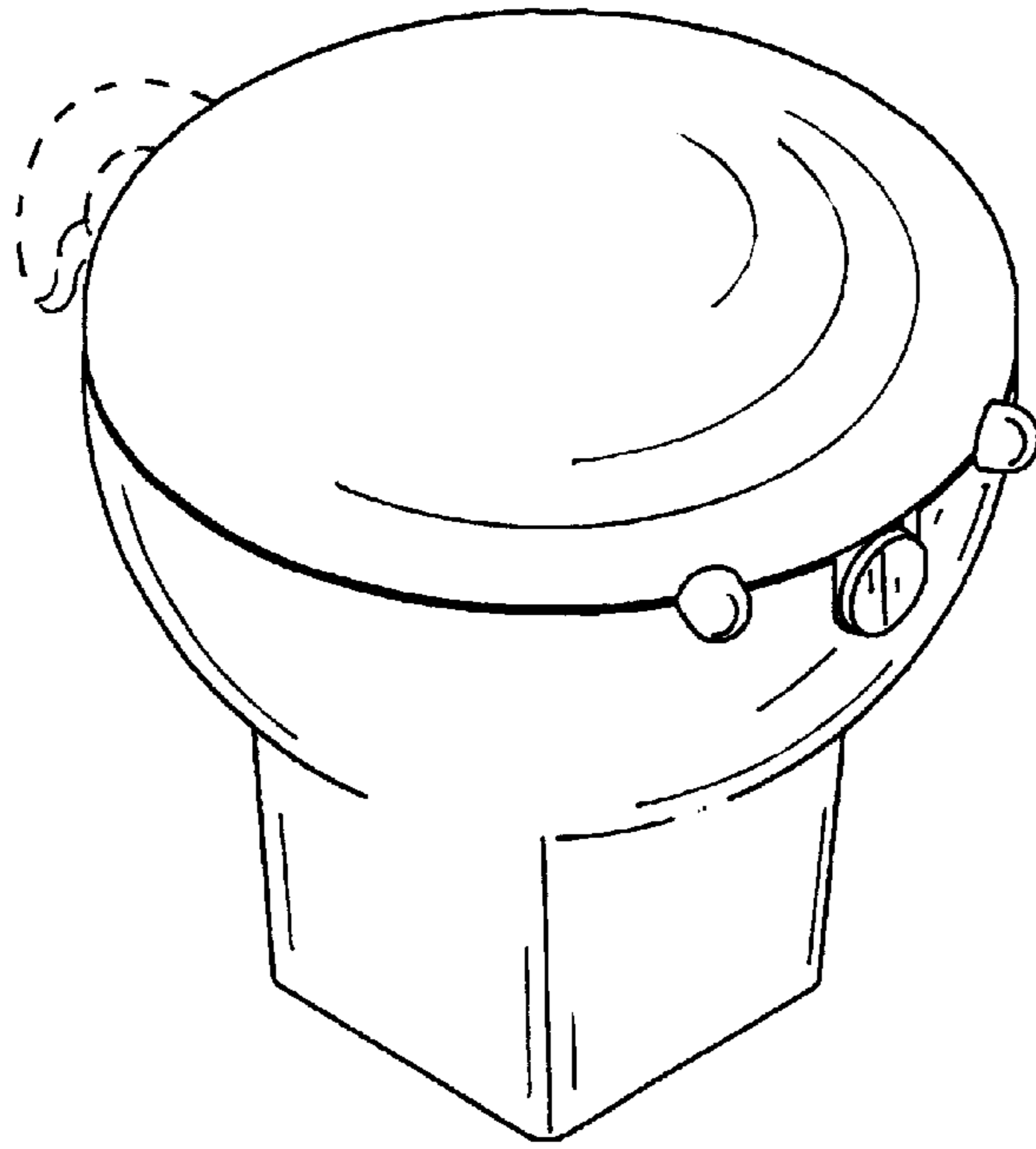


FIG. 8

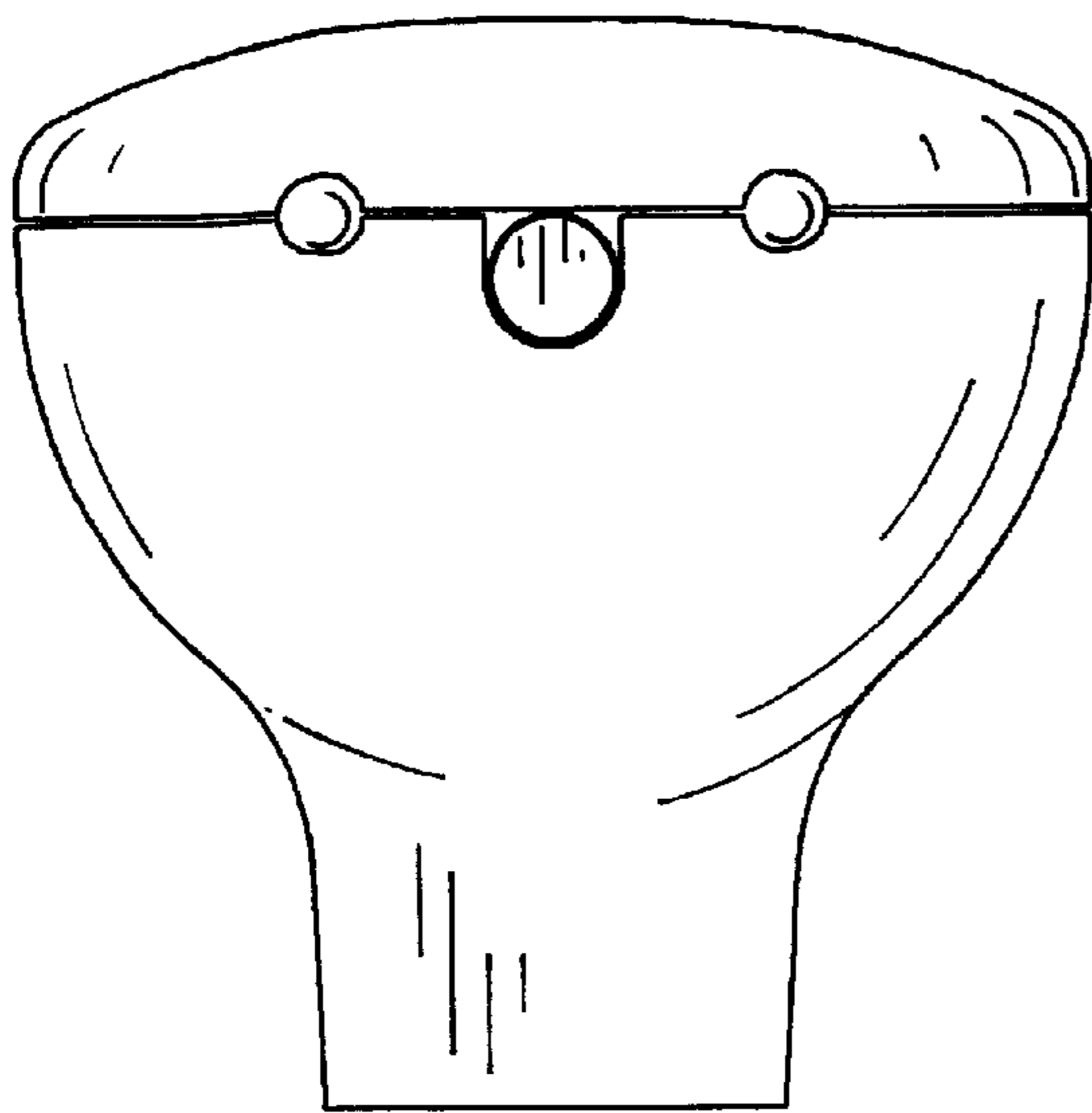


FIG. 9

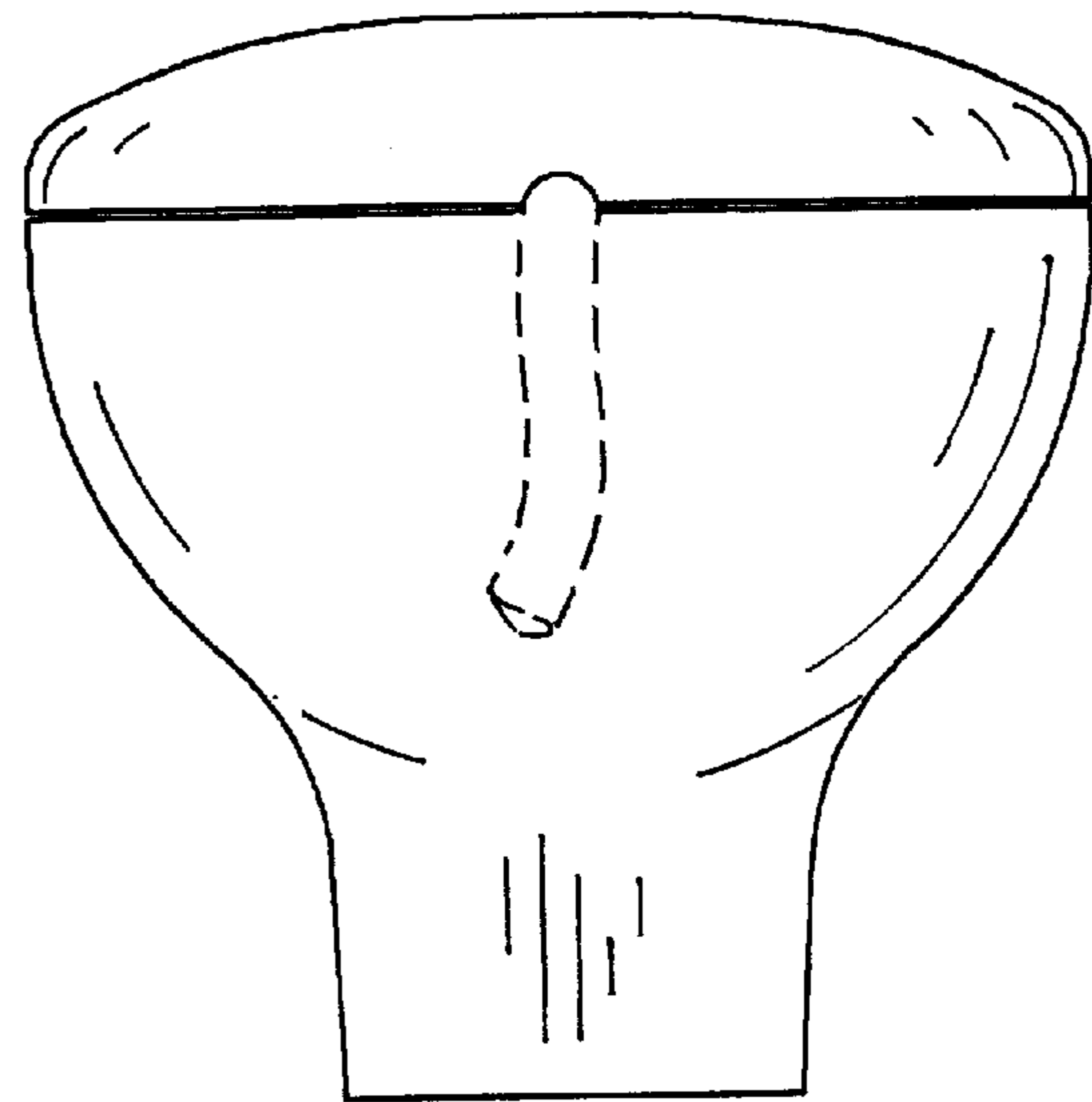


FIG. 10

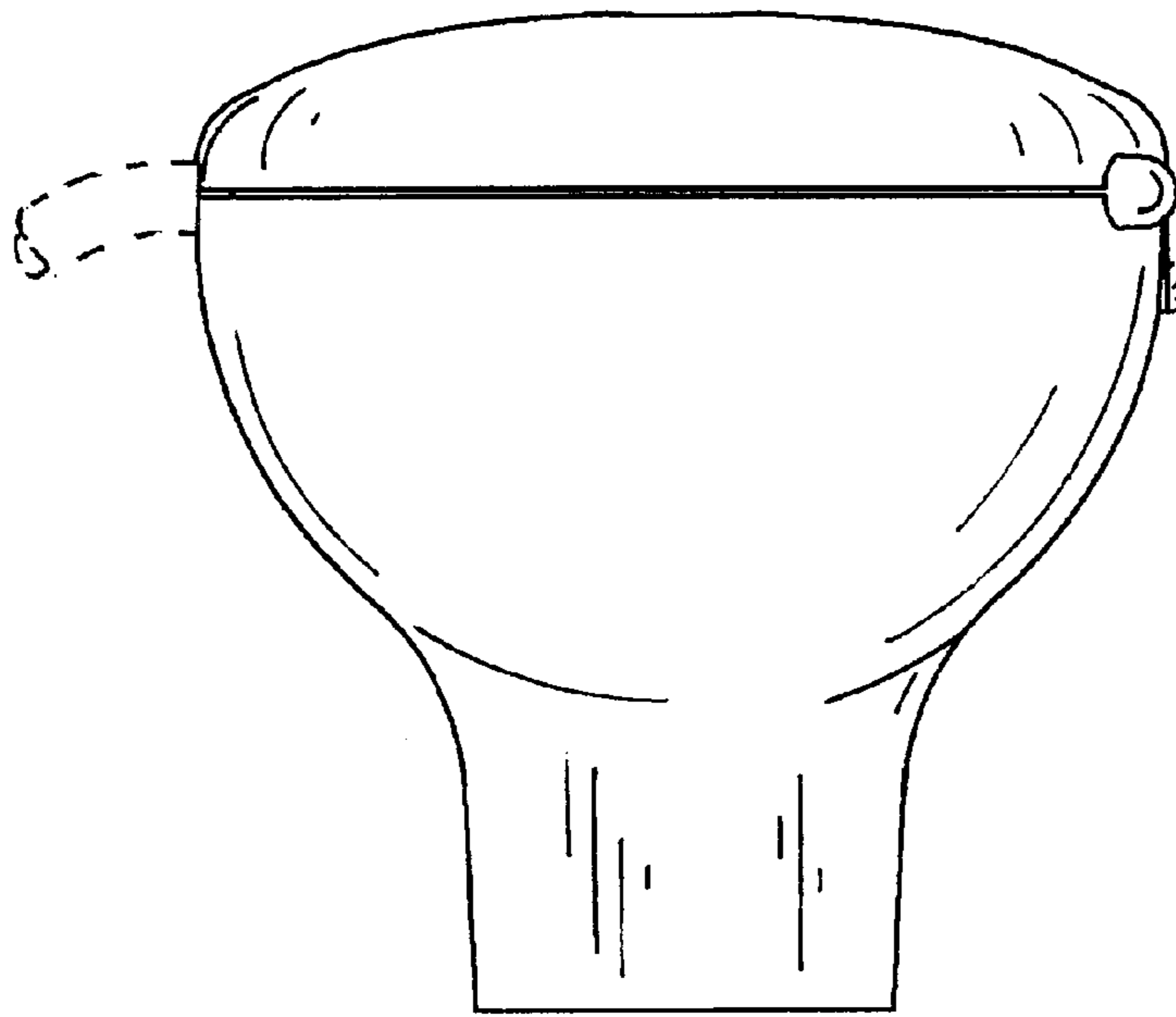


FIG. 11

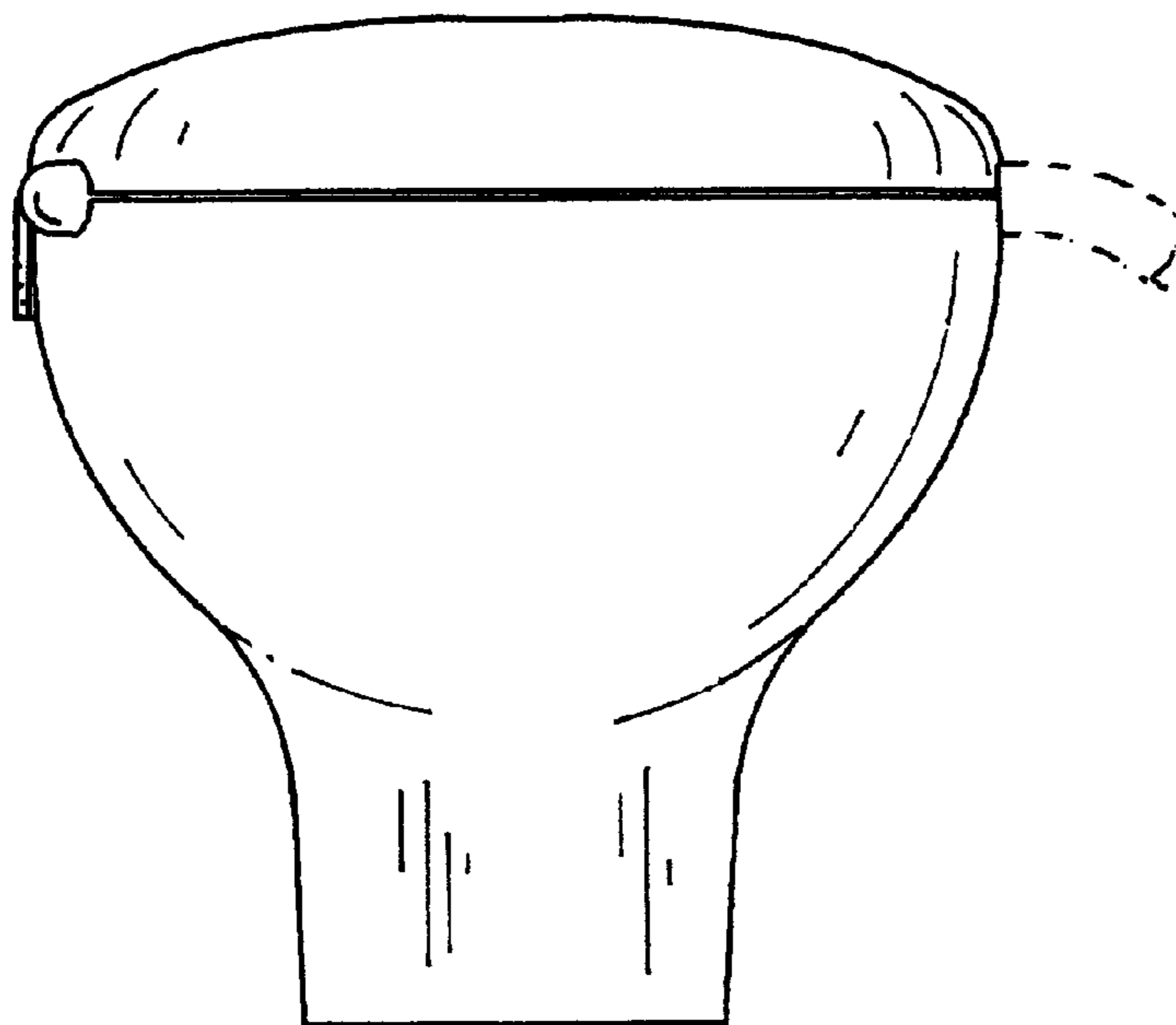


FIG. 12

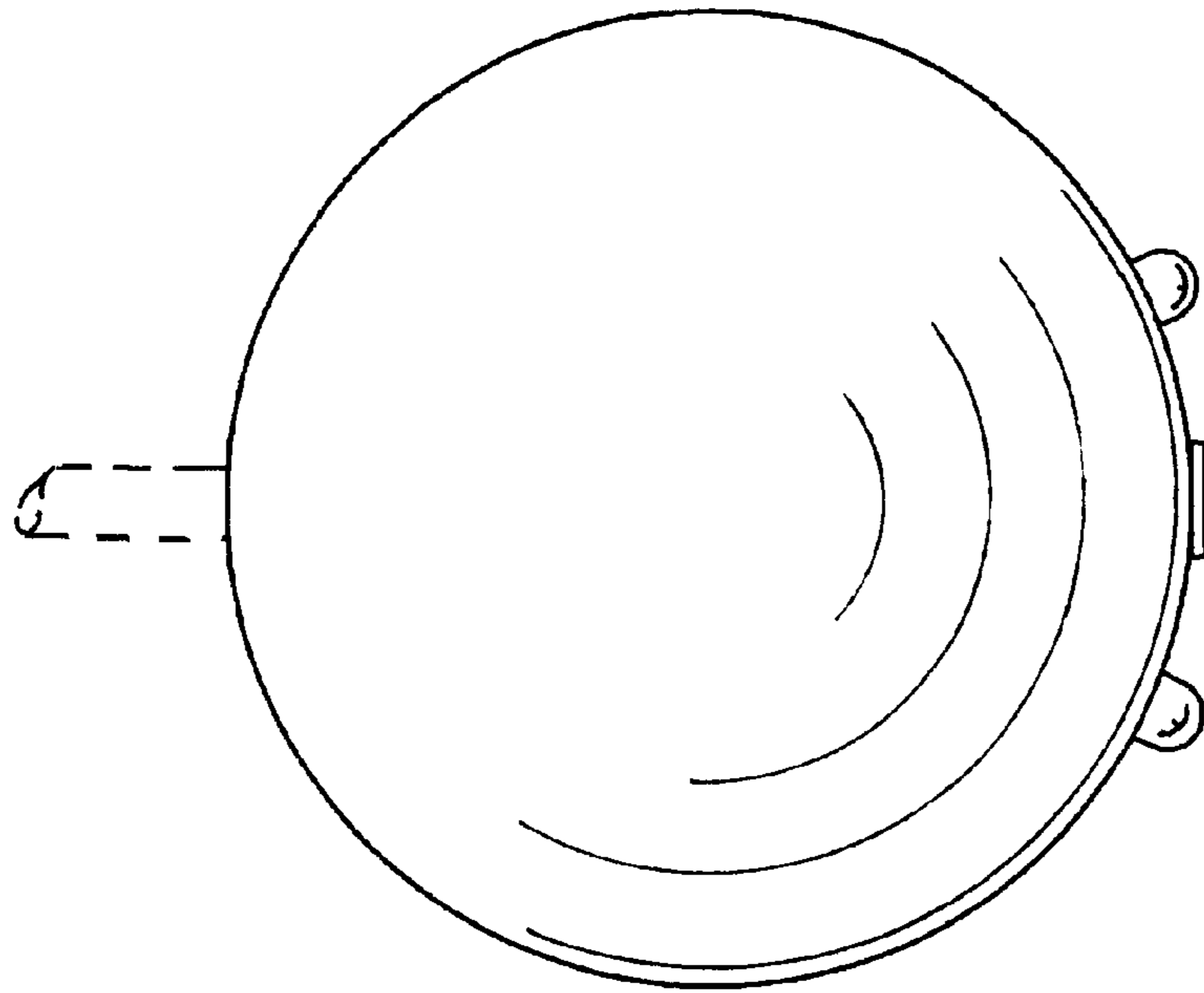


FIG. 13

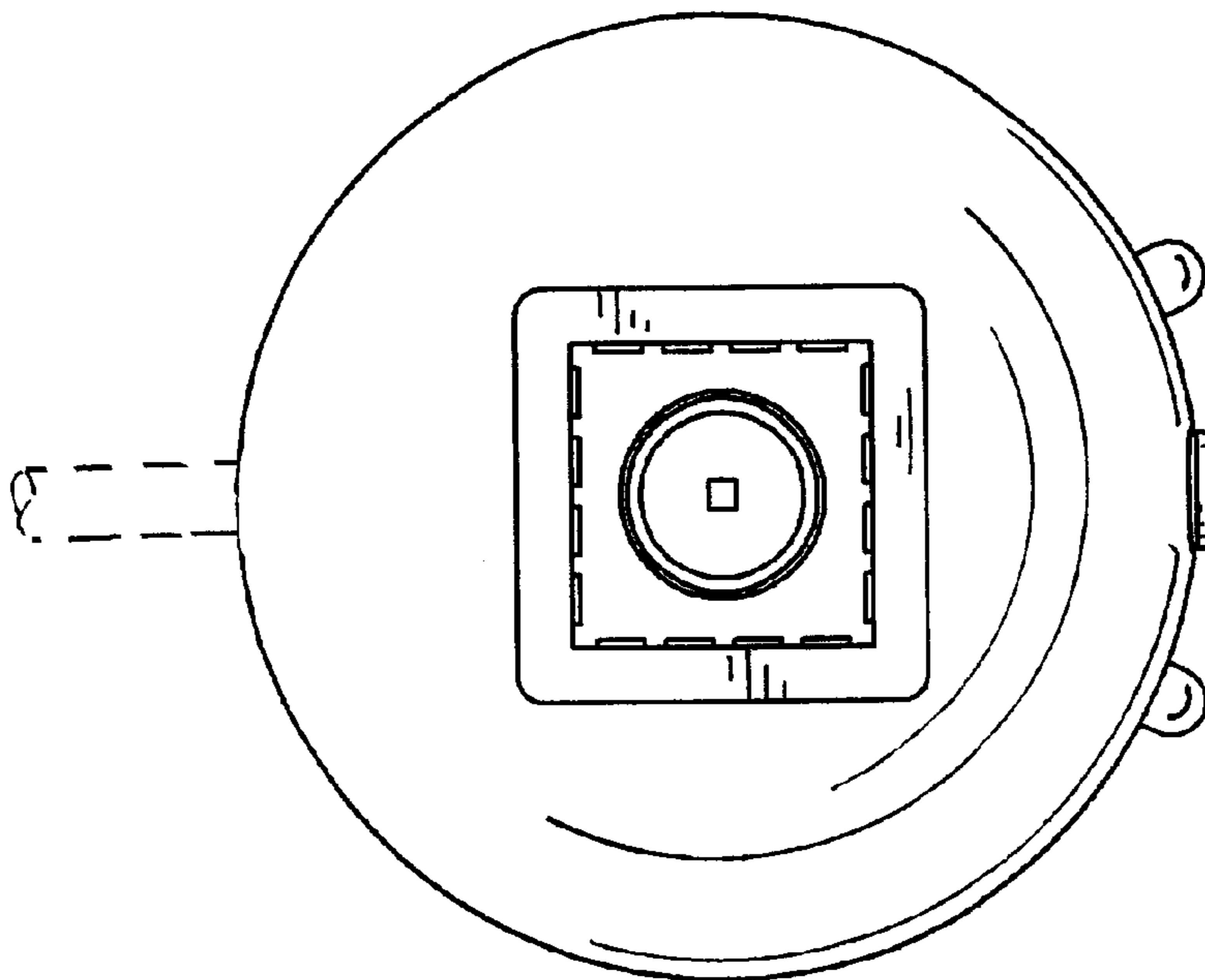


FIG. 14