



US00D527003S

(12) **United States Design Patent**
Kim et al.

(10) **Patent No.:** **US D527,003 S**

(45) **Date of Patent:** **** Aug. 22, 2006**

(54) **LCD MONITOR**

(75) Inventors: **Baek-Ki Kim**, Seoul (KR);
Kyung-Hoon Kim, Seoul (KR)

(73) Assignee: **Samsung Electronics Co., Ltd.**,
Kyunggi-do (KR)

(**) Term: **14 Years**

(21) Appl. No.: **29/236,960**

(22) Filed: **Aug. 24, 2005**

(51) **LOC (8) Cl.** **14-02**

(52) **U.S. Cl.** **D14/375**

(58) **Field of Classification Search** D14/371-375,
D14/125-129; 345/104, 156, 168, 173, 901-905;
348/180, 184, 325, 739; 248/917-924; 341/12;
349/1, 2, 11, 62

See application file for complete search history.

(56) **References Cited**

U.S. PATENT DOCUMENTS

D357,468 S	4/1995	Rodd	
D412,892 S	8/1999	Lee	
6,015,120 A	1/2000	Sweere et al.	
D458,256 S	* 6/2002	Liu	D14/375
D458,603 S	* 6/2002	Lee	D14/375
D458,928 S	6/2002	Duan	
D476,335 S	* 6/2003	Miao et al.	D14/375
D477,320 S	7/2003	Peng et al.	
D489,370 S	5/2004	Jobs et al.	
D499,097 S	* 11/2004	Tsuji et al.	D14/375
D499,098 S	* 11/2004	Ta	D14/375

OTHER PUBLICATIONS

U.S. Appl. No. 29/217,926, Applicant: Young-Jun Kim, et al., filed Nov. 23, 2004 entitled Projection Television.

U.S. Appl. No. 29/218,855, Applicant: Seung-Ho Lee, et al., filed Dec. 8, 2004 entitled LCD TV.

U.S. Appl. No. 29/218,856, Applicant: Seung-Ho Lee, et al., filed Dec. 8, 2004 entitled LCD TV.

U.S. Appl. No. 29/228,022, Applicant: Yun-Je Kang, et al., filed Apr. 19, 2005 entitled Projection Television.

U.S. Appl. No. 29/228,541, Applicant: Young-Sun Shin, et al., filed Apr. 25, 2005 entitled Television.

U.S. Appl. No. 29/228,026, Applicant: Yun-Je Kang, et al., filed Apr. 19, 2005 entitled Projection Television.

U.S. Appl. No. 29/228,024, Applicant: Ki-Soo Kim, et al., filed Apr. 19, 2005 entitled LCD Television.

U.S. Appl. No. 29/212,121, Applicant: Eui-Seok Kim, filed Aug. 26, 2004 entitled LCD Monitor.

U.S. Appl. No. 29/231,241, Applicant: Young-Jun Kim, et al., filed Jun. 2, 2005 entitled Monitor.

U.S. Appl. No. 29/231,236, Applicant: Ki-Soo Kim, et al., filed Jun. 2, 2005 entitled LCD Monitor.

U.S. Appl. No. 29/231,924, Applicant: Sang-Il Park, et al., filed Jun. 10, 2005 entitled LCD Monitor.

U.S. Appl. No. 29/231,925, Applicant: Sang-Il Park, et al., filed Jun. 10, 2005 entitled LCD Monitor.

U.S. Appl. No. 29/236,042, Applicant: Yun-Je Kang, et al., filed Aug. 10, 2005 entitled Projection Television.

U.S. Appl. No. 29/236,043, Applicant: Yun-Je Kang, et al., filed Aug. 10, 2005 entitled Projection Television.

U.S. Appl. No. 29/236,044, Applicant: Sang-Won Yoon, filed Aug. 10, 2005 entitled LCD Monitor.

(Continued)

Primary Examiner—Freda S. Nunn

(74) *Attorney, Agent, or Firm*—Flynn, Thiel, Boutell & Tanis, P.C.

(57) **CLAIM**

The ornamental design for a LCD monitor, as shown and described.

DESCRIPTION

FIG. 1 is a top front perspective view of a LCD monitor showing our new design.

FIG. 2 is a front elevational view thereof.

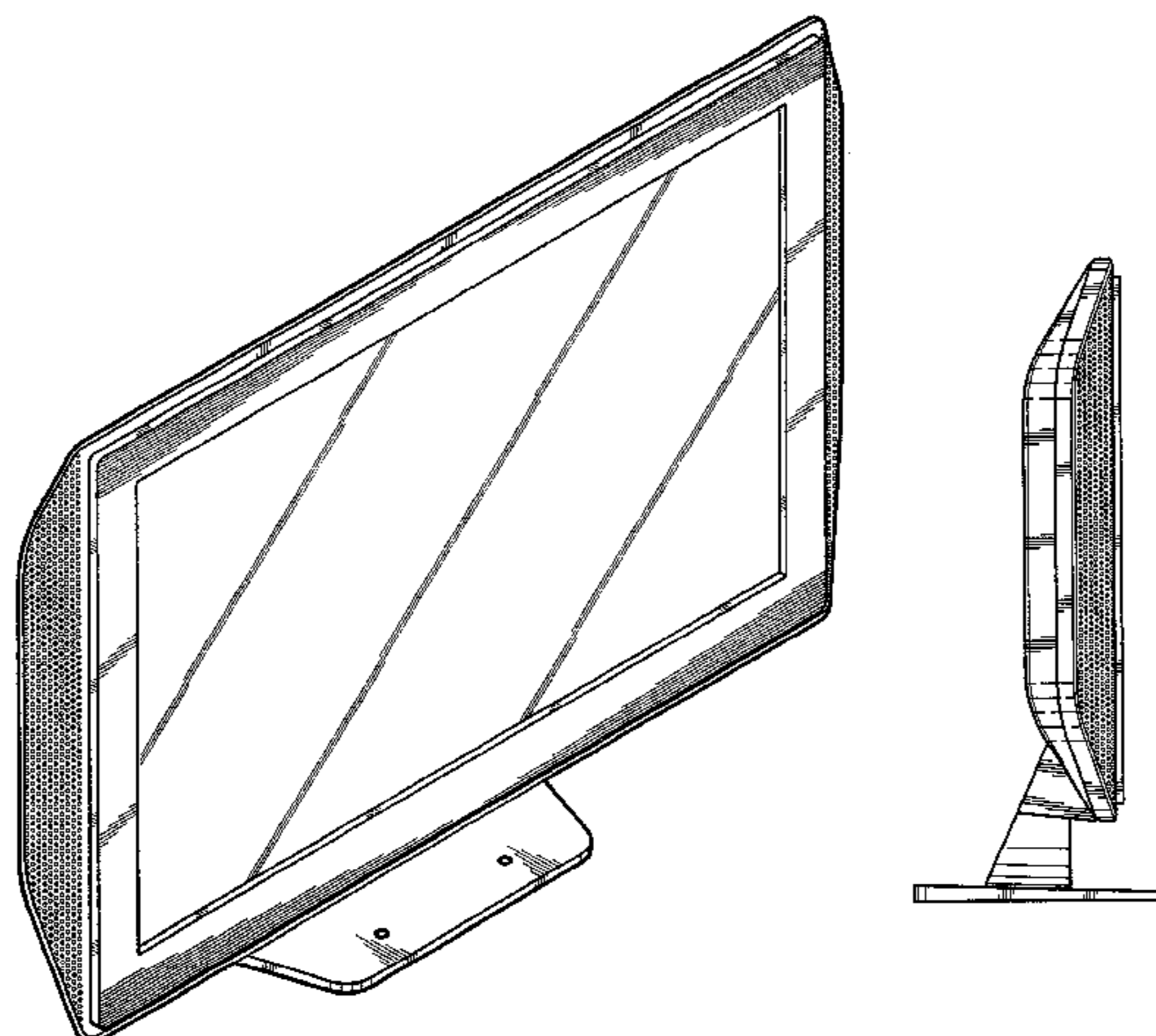
FIG. 3 is a rear elevational view thereof.

FIG. 4 is a left side elevational view thereof, a right side elevational view is symmetrical to the left side elevational view.

FIG. 5 is a top plan view thereof; and,

FIG. 6 is a bottom plan view thereof.

1 Claim, 4 Drawing Sheets



OTHER PUBLICATIONS

U.S. Appl. No. 29/236,045, Applicant: Yun-Je Kang, et al.,
filed Aug. 10, 2005 entitled Projection Television.

U.S. Appl. No. 29/236,046, Applicant: Min-Hyong Boo, et
al., filed Aug. 10, 2005 entitled LCD Monitor.

U.S. Appl. No. 29/236,961, Applicant: Kyoung-Hoon Kim,
et al., filed Aug. 24, 2005 entitled Television.

U.S. Appl. No. 29/236,965, Applicant: Jun-Ho Yang, et al.,
filed Aug. 24, 2005 entitled Television.

U.S. Appl. No. 29/236,966, Applicant: Jun-Ho Yang, et al.,
filed Aug. 24, 2005 entitled LCD Television.

U.S. Appl. No. 29/236,967, Applicant: Jun-Ho Yang, et al.,
filed Aug. 24, 2005 entitled Television.

U.S. Appl. No. 29/236,968, Applicant: Jun-Ho Yang, et al.,
filed Aug. 24, 2005 entitled Television.

U.S. Appl. No. 29/236,969, Applicant: Jun-Ho Yang, et al.,
filed Aug. 24, 2005 entitled Television.

* cited by examiner

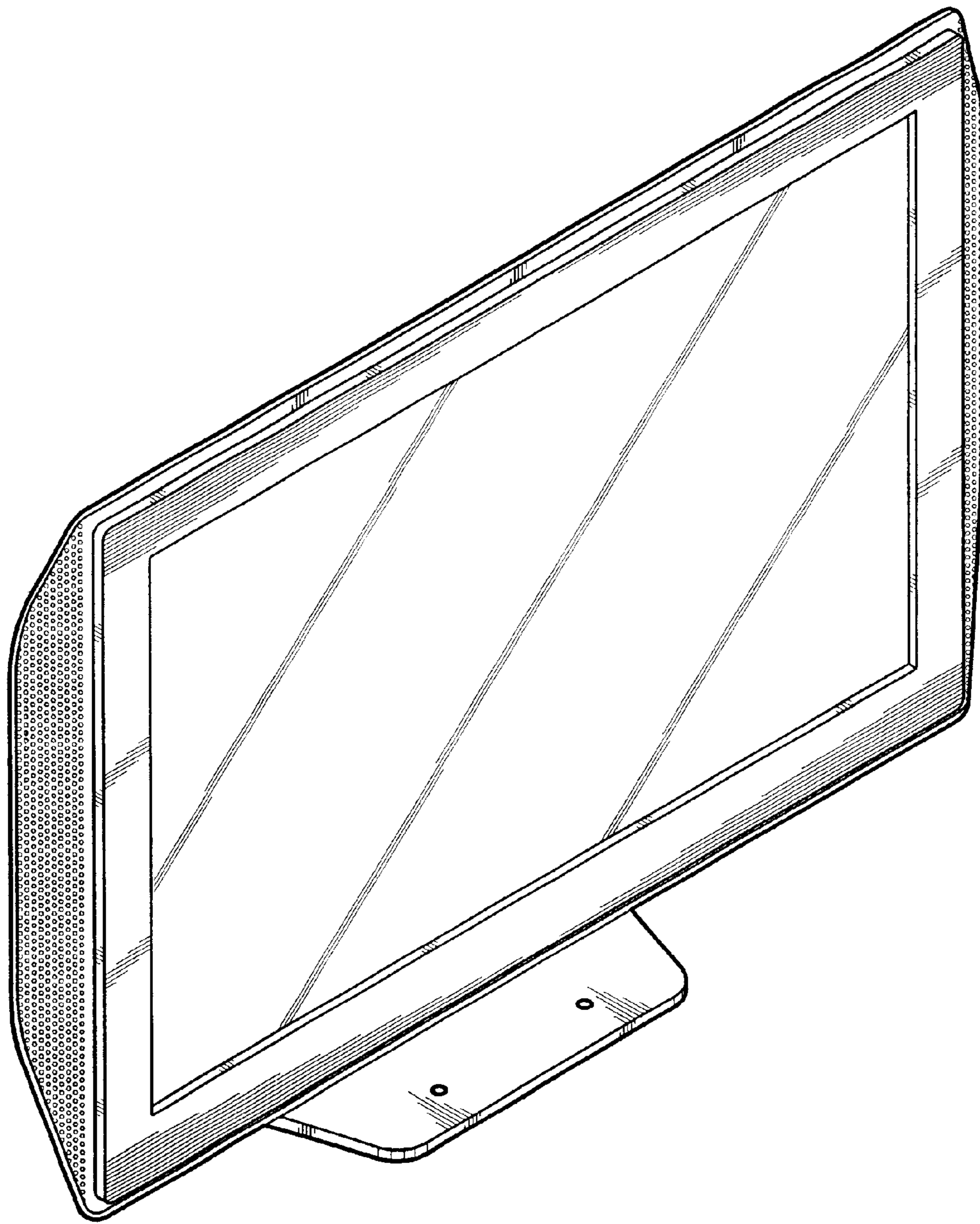


FIG. 1

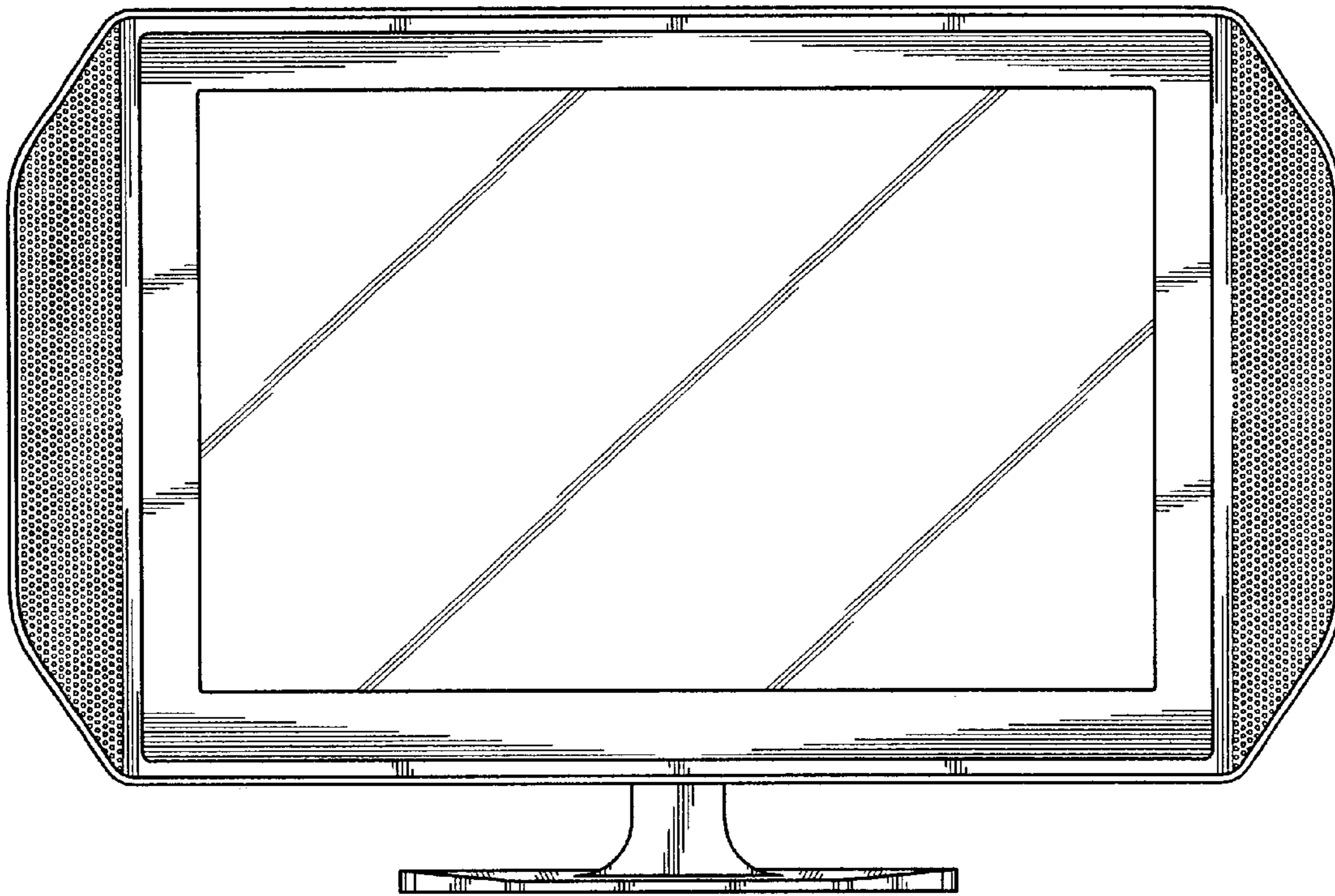


FIG. 2

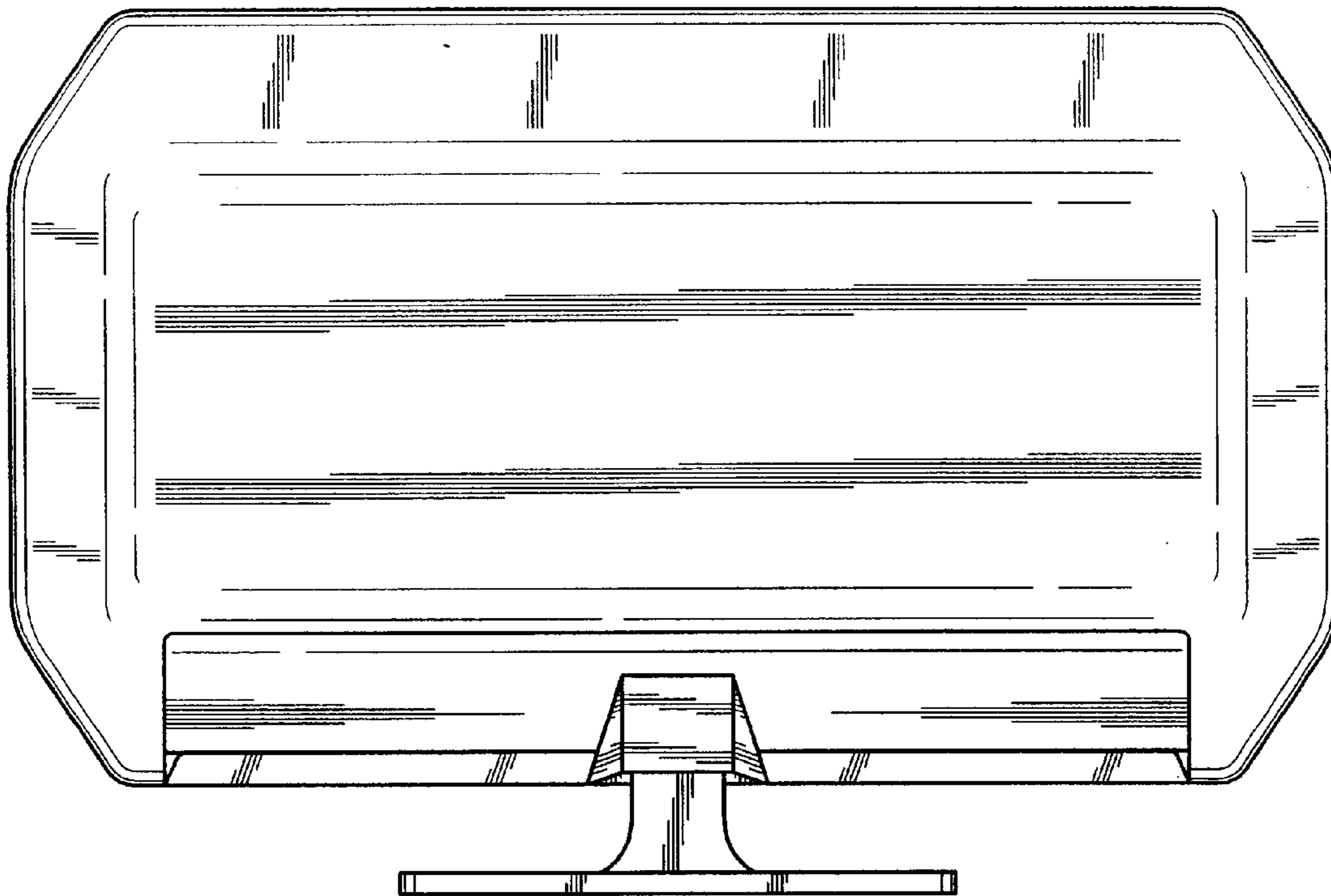


FIG. 3

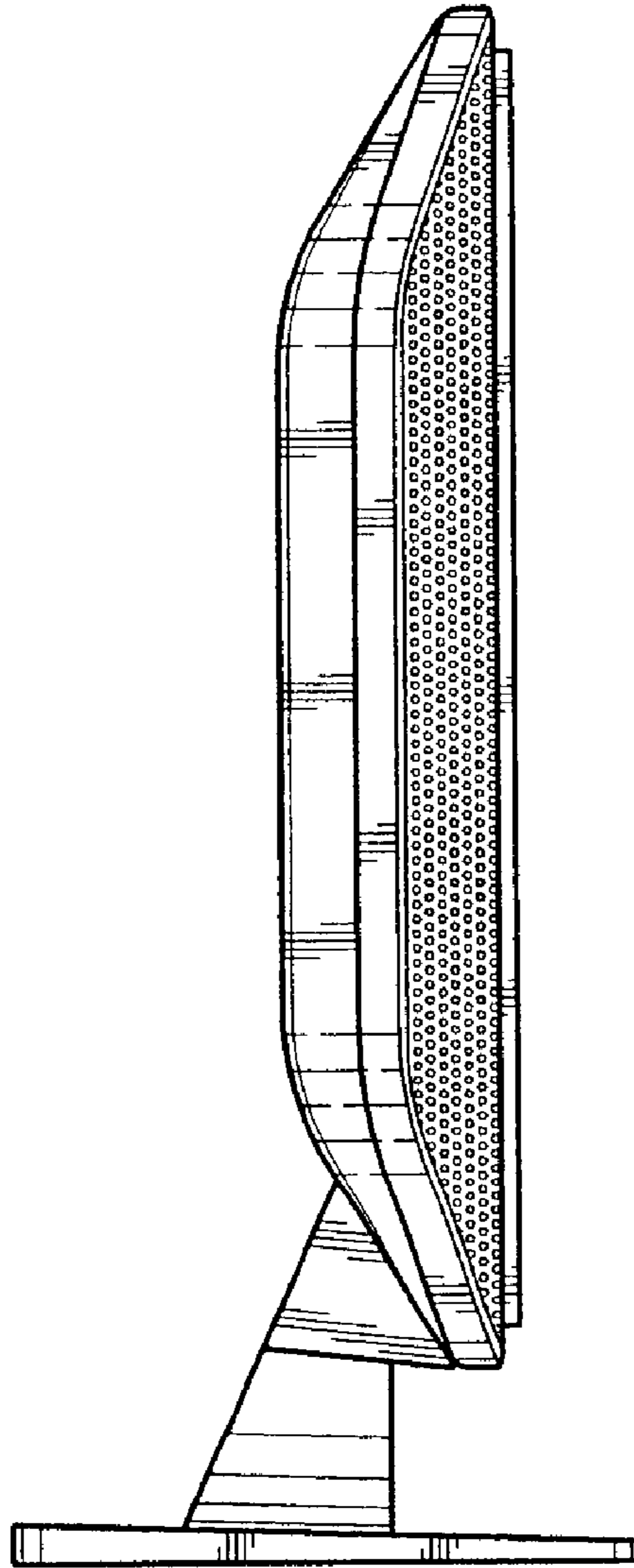


FIG. 4

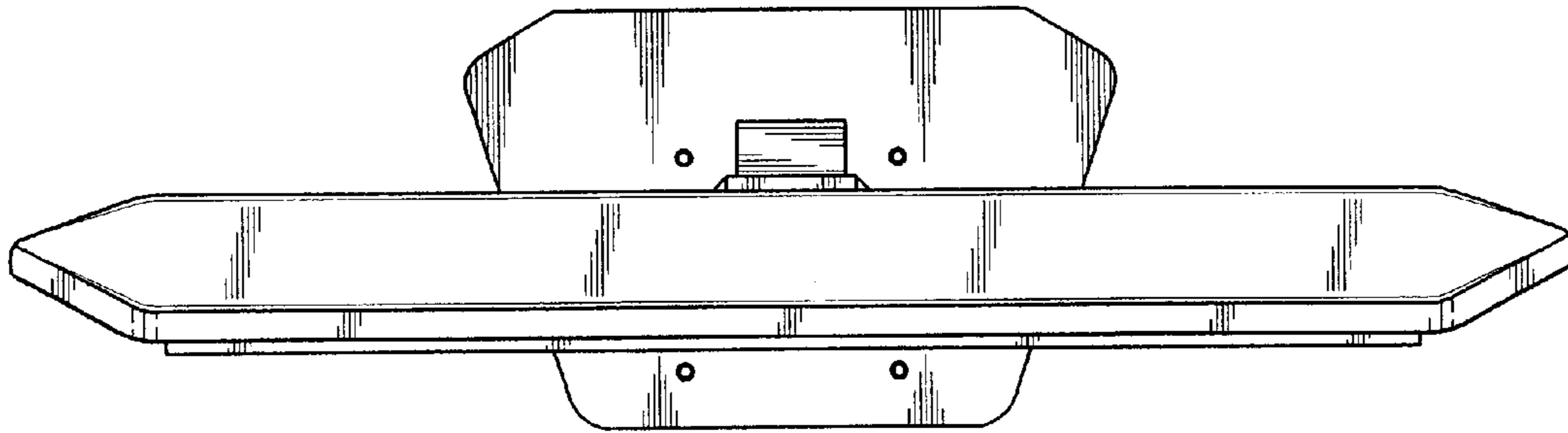


FIG. 5

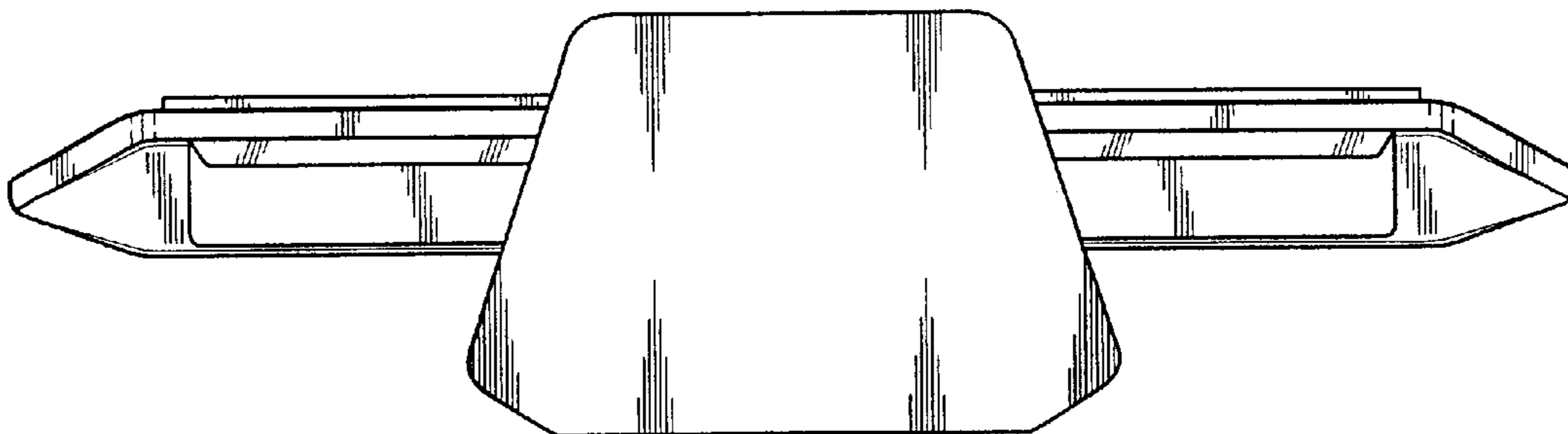


FIG. 6