



US00D526998S

(12) **United States Design Patent**
Kondo

(10) **Patent No.:** **US D526,998 S**

(45) **Date of Patent:** **** Aug. 22, 2006**

(54) **ELECTRONIC COMPUTER**

JP	D1145577	7/2002
JP	D1215911	8/2004
JP	D1218272	9/2004

(75) Inventor: **Osamu Kondo**, Tokyo (JP)

(73) Assignee: **Kabushiki Kaisha Toshiba** (JP)

(**) Term: **14 Years**

(21) Appl. No.: **29/237,023**

(22) Filed: **Aug. 26, 2005**

(30) **Foreign Application Priority Data**

Jul. 15, 2005 (JP) 2005-020697

(51) **LOC (8) Cl.** **14-02**

(52) **U.S. Cl.** **D14/327**

(58) **Field of Classification Search** D14/315-328;
D18/1, 2, 7, 11; 235/145 A, 145 R; 341/22,
341/23; 345/104, 156, 168, 169, 173; 361/680-686;
400/486, 489

See application file for complete search history.

(56) **References Cited**

U.S. PATENT DOCUMENTS

D330,016 S	*	10/1992	Mizusugi et al.	D14/327
D375,294 S		11/1996	Iino		
D388,401 S		12/1997	Tanaka		

(Continued)

FOREIGN PATENT DOCUMENTS

JP	D1066088	4/2000
JP	D1066382	4/2000
JP	D1069271	5/2000
JP	D1089183	10/2000
JP	D1128299	12/2001
JP	D1128642	12/2001
JP	D1129529	12/2001

OTHER PUBLICATIONS

Sharp Kabushiki Kaisha Catalog (PC-CV50FW), Jan. 26, 2005.

Primary Examiner—Freda S. Nunn

(74) *Attorney, Agent, or Firm*—Banner & Witcoff, Ltd.

(57) **CLAIM**

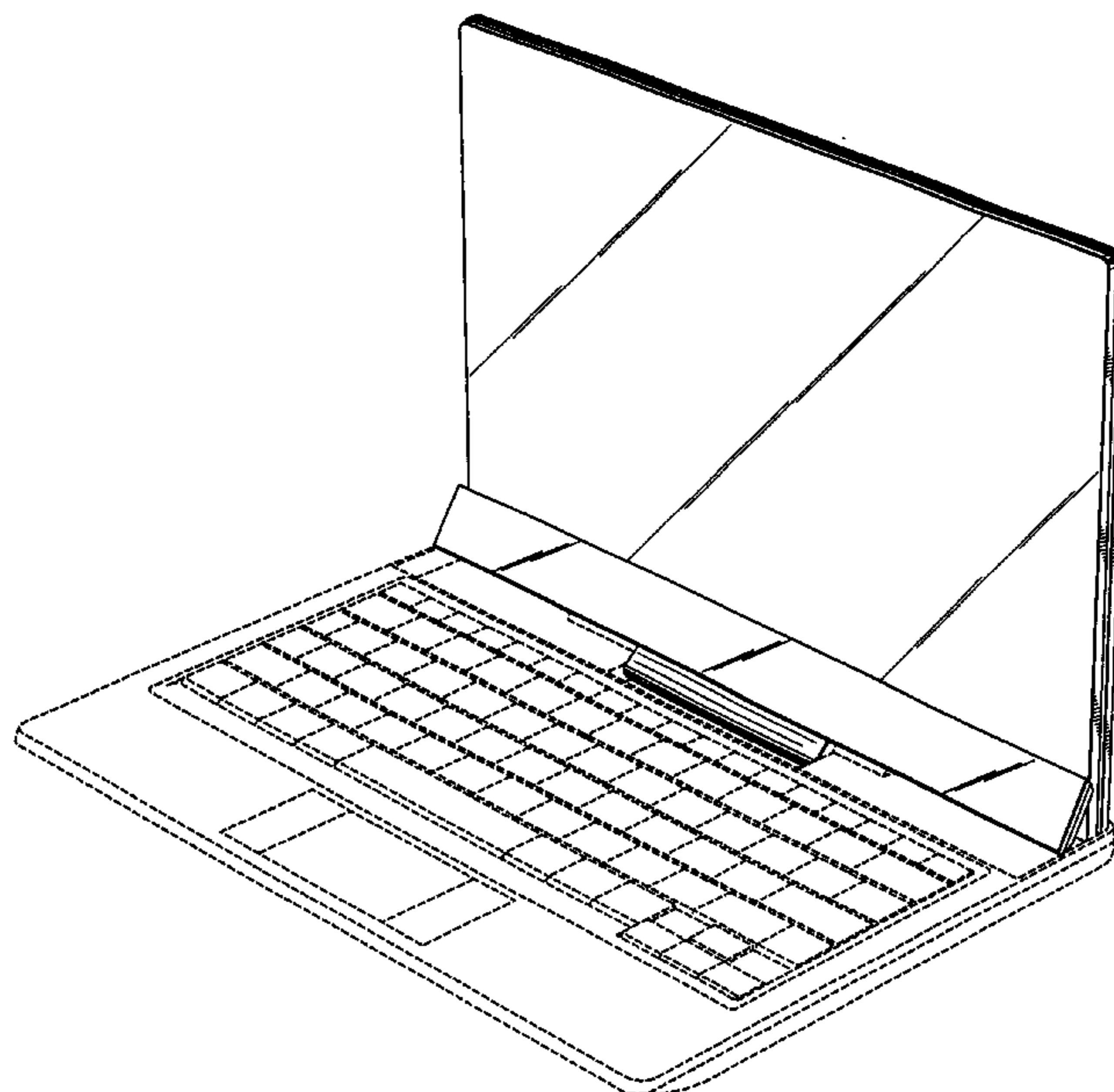
The ornamental design for an electronic computer, as shown and described.

DESCRIPTION

FIG. 1 is a reduced top, front and right side perspective view of an electronic computer showing my new design, FIG. 2 is a front elevational view thereof, FIG. 3 is a rear elevational view thereof, FIG. 4 is a left side elevational view thereof, FIG. 5 is a right side elevational view thereof, FIG. 6 is a top plan view thereof, FIG. 7 is a bottom plan view thereof, FIG. 8 is a front elevational view showing the article in a closed position thereof, FIG. 9 is a right side elevational view showing the article in the closed position thereof, FIG. 10 is a top plan view showing the article in the closed position thereof, FIG. 11 is a reduced perspective view showing the article with a sub-display being in a closed position thereof; and, FIG. 12 is a perspective view showing the article in the closed position thereof.

The broken lines are shown in the views for illustrative purposes only and form no part of the claimed design.

1 Claim, 7 Drawing Sheets



US D526,998 S

Page 2

U.S. PATENT DOCUMENTS

D391,237 S	2/1998	Iino		D464,344 S	*	10/2002	Jobs et al.	D14/318
D393,250 S	4/1998	Kondo		D476,326 S	*	6/2003	Tanimura	D14/318
D395,289 S	6/1998	Iino		D479,841 S		9/2003	Tago et al.	
D395,868 S	7/1998	Iino		D481,386 S		10/2003	Kondo	
D395,869 S	7/1998	Suzuki		D485,836 S		1/2004	Tanaka	
D398,908 S	9/1998	Iino		D488,808 S		4/2004	Kamegi	
D401,572 S	11/1998	Tanaka		D488,809 S		4/2004	Kamegi	
D402,277 S	12/1998	Iino		D493,785 S	*	8/2004	Andre et al.	D14/318
D411,519 S	6/1999	Tanaka		D494,162 S		8/2004	Kondo	
D411,832 S	7/1999	Iino		D494,580 S		8/2004	Kondo	
D415,475 S	10/1999	Sugano		D494,581 S		8/2004	Araki	
6,067,224 A	*	5/2000	Nobuchi	D495,691 S		9/2004	Takada et al.	
			361/683	D499,726 S		12/2004	Kurokawa	
D426,817 S	6/2000	Sugano et al.		D499,727 S		12/2004	Kondo	
D442,950 S	12/2001	Sugano et al.		D501,006 S		1/2005	Yugaya	
D452,238 S	12/2001	Sugano et al.		D502,177 S		2/2005	Takada et al.	
D453,508 S	2/2002	Shibata						
D453,756 S	2/2002	Kamegl						

* cited by examiner

FIG. 1

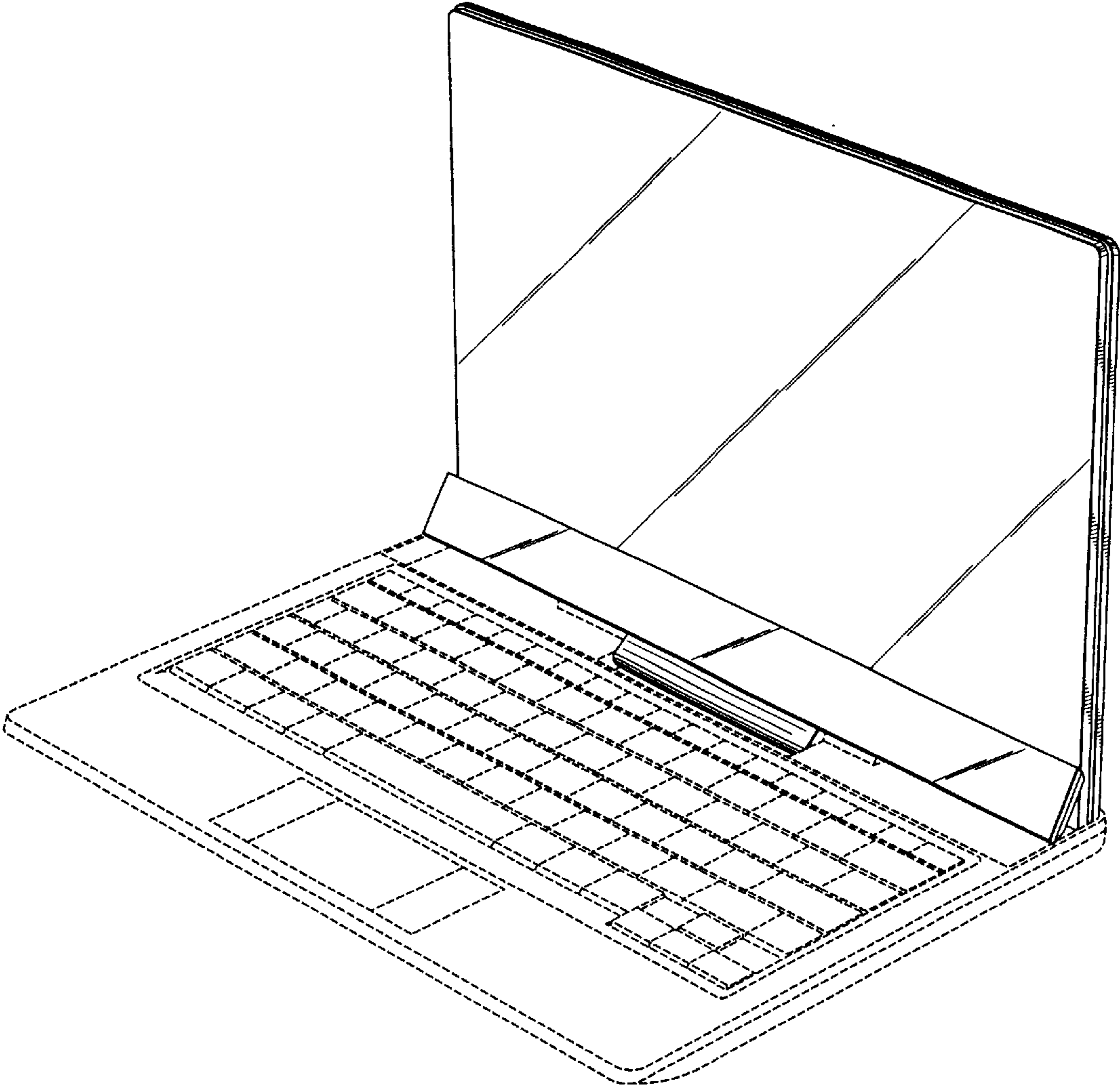


FIG. 2

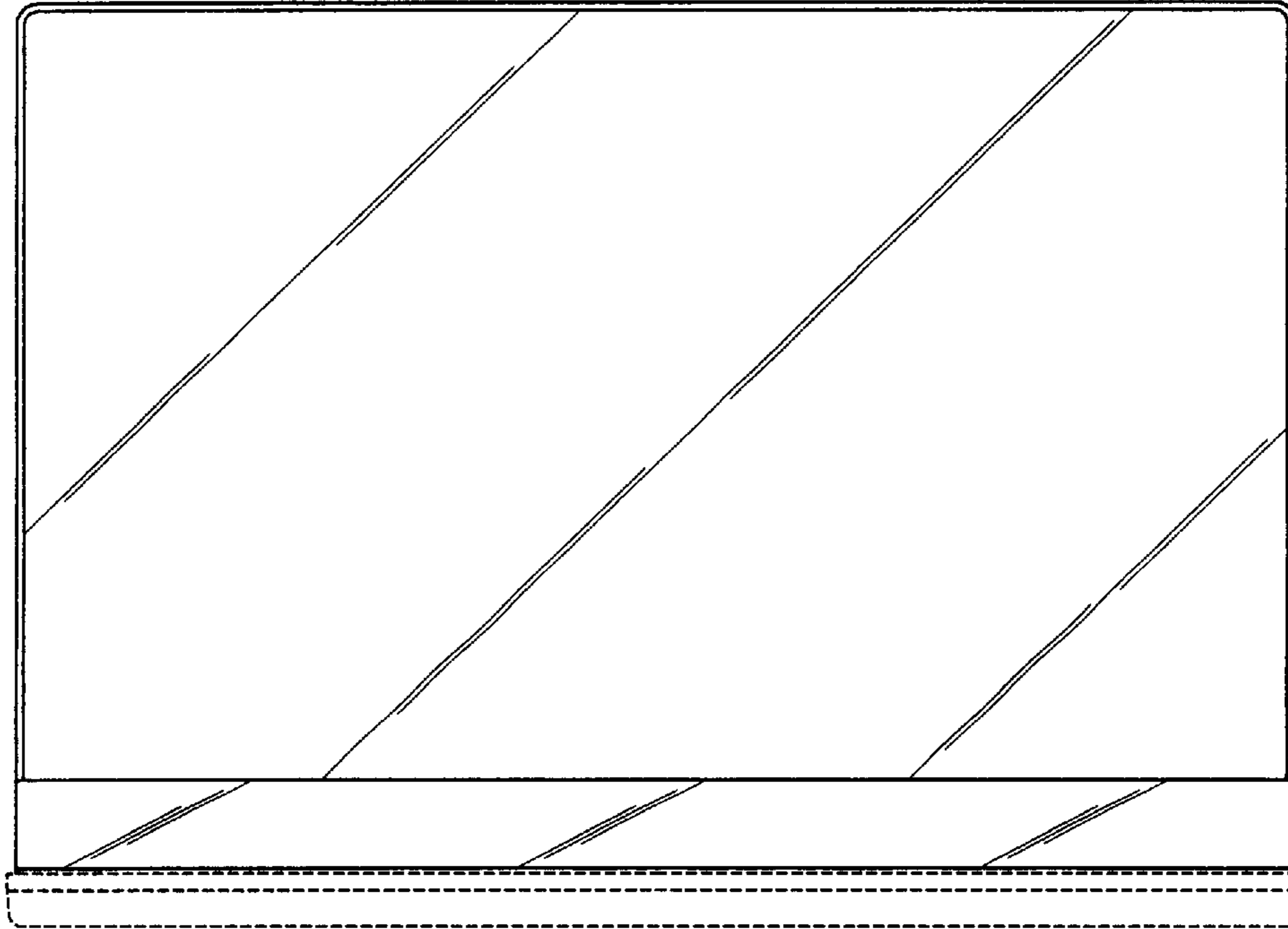


FIG. 3

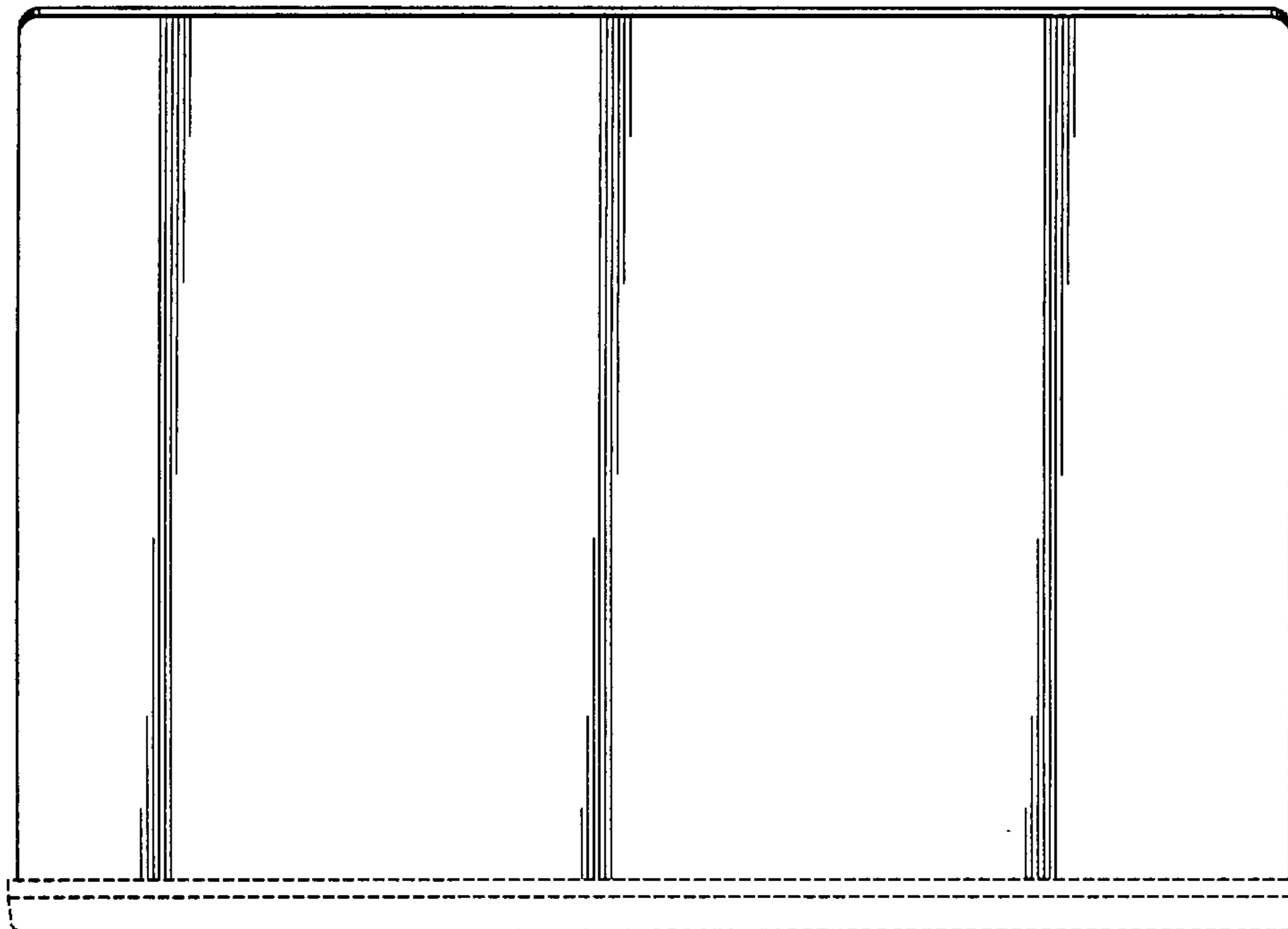


FIG. 4

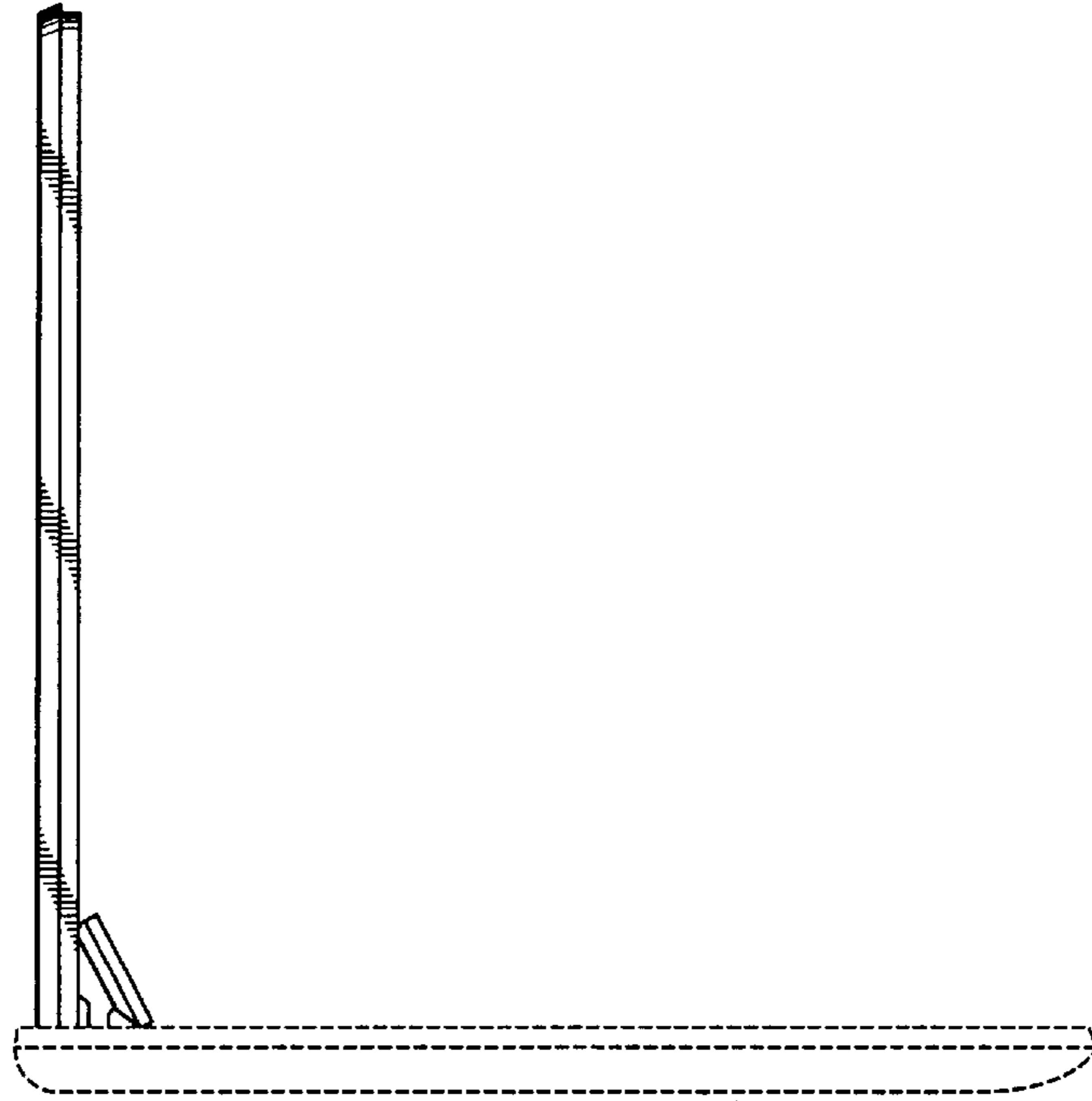


FIG. 5

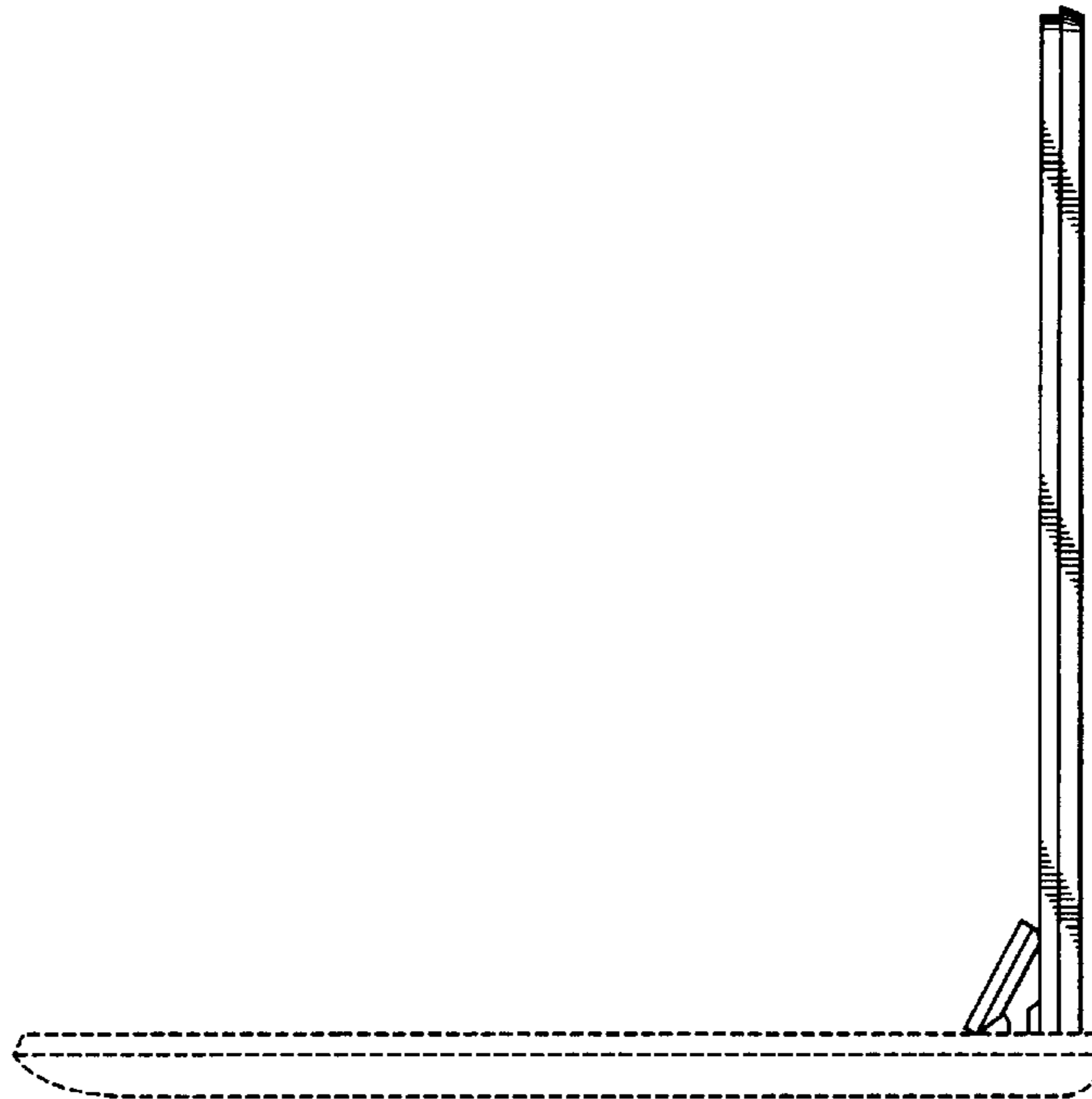


FIG. 6

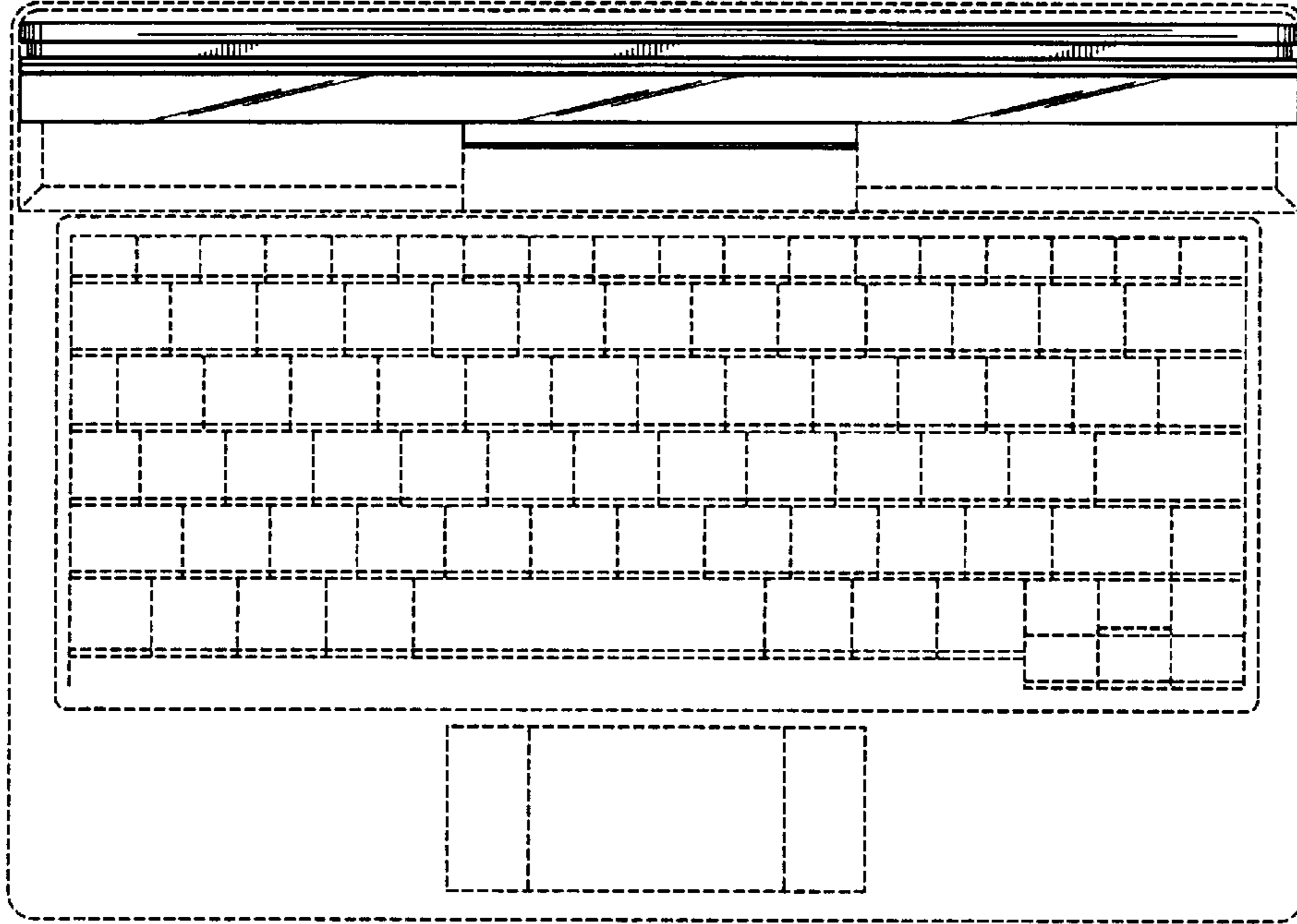


FIG. 7

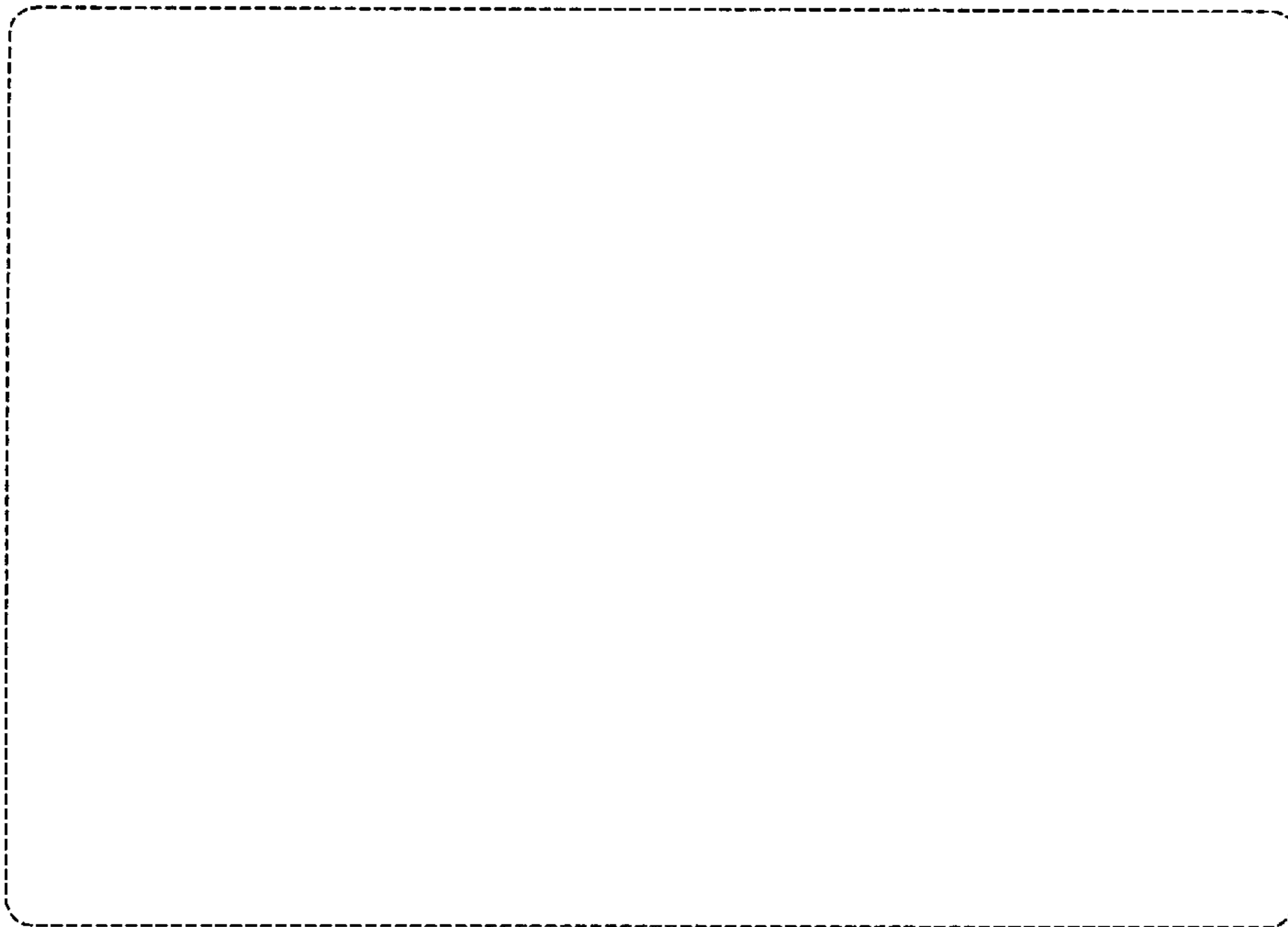


FIG. 8

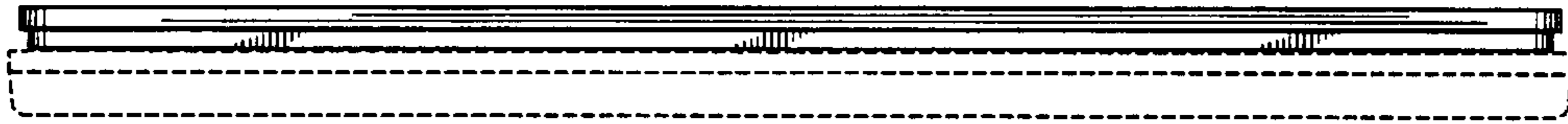


FIG. 9

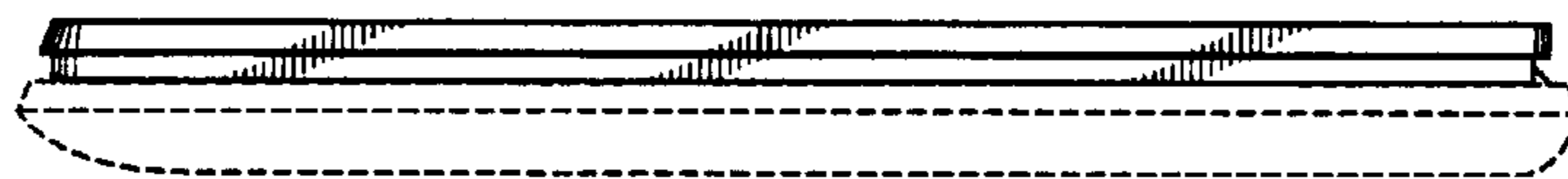


FIG. 10

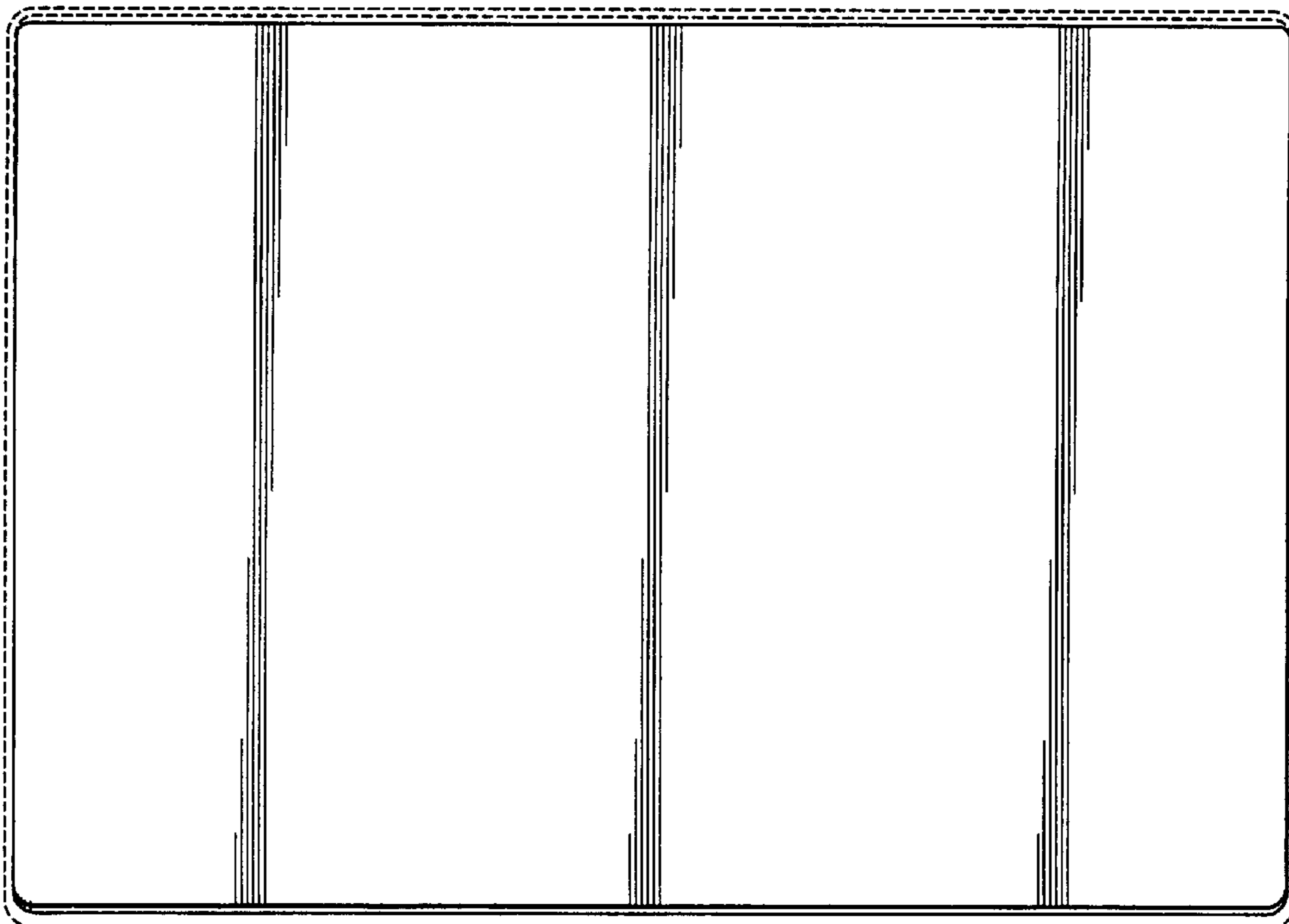


FIG. 11

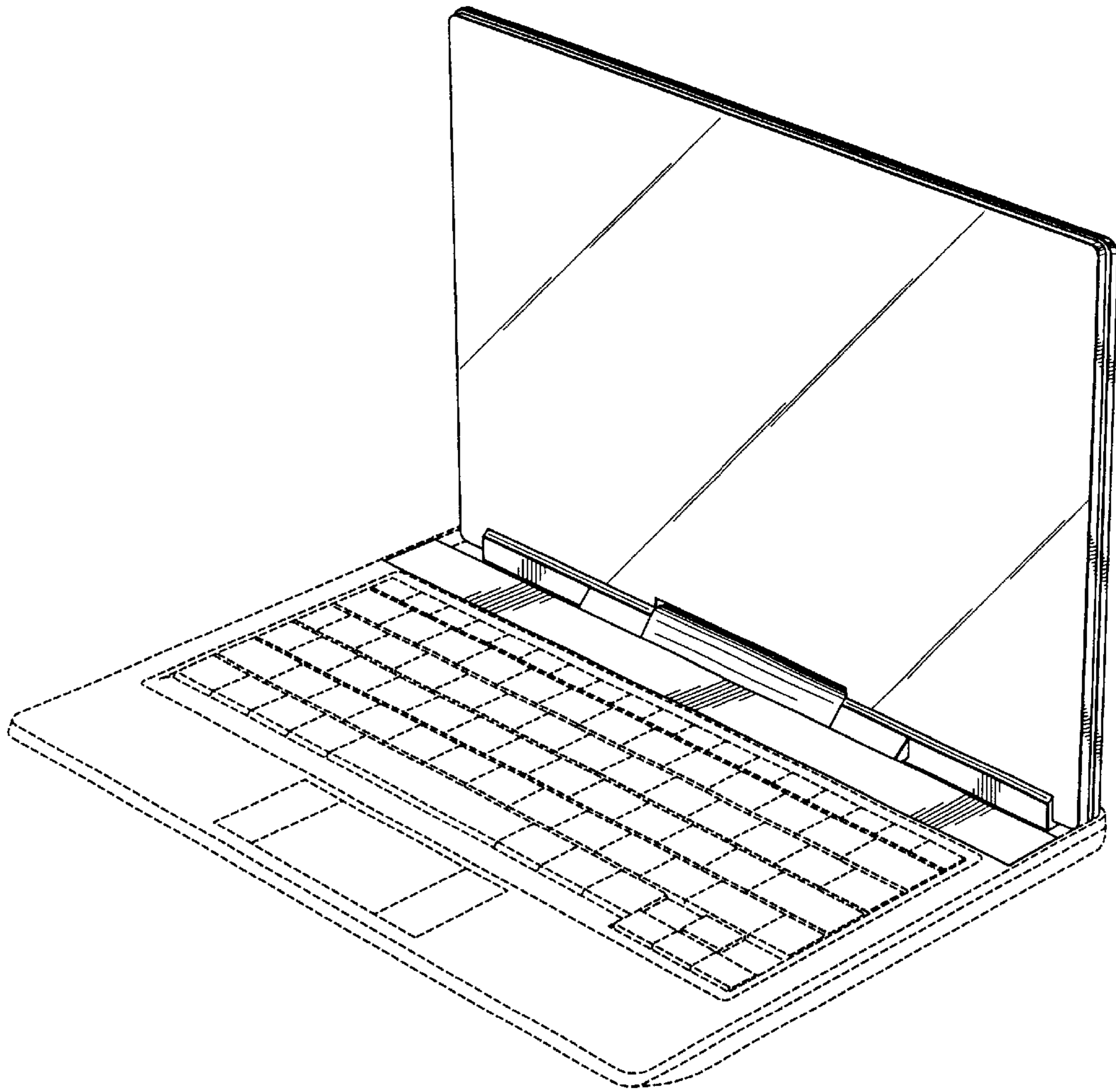


FIG. 12

