

US00D526994S

(12) **United States Design Patent**  
**Krueger**

(10) **Patent No.:** **US D526,994 S**

(45) **Date of Patent:** **\*\* Aug. 22, 2006**

(54) **SPEAKER**

(76) Inventor: **Paul M. Krueger**, 1286 Patapsco Rd.,  
Pasadena, MD (US) 21122

(\*\*) Term: **14 Years**

(21) Appl. No.: **29/228,070**

(22) Filed: **Apr. 20, 2005**

(51) **LOC (8) Cl.** ..... **14-01**

(52) **U.S. Cl.** ..... **D14/216; D14/204**

(58) **Field of Classification Search** ..... D14/204,  
D14/207, 209–216, 356; 181/143–144, 147–148,  
181/150, 157, 198–199, 151–153; 381/300–302,  
381/306, 333, 345, 361–364, 386–388, 332,  
381/336

See application file for complete search history.

(56) **References Cited**

**U.S. PATENT DOCUMENTS**

4,567,959	A	*	2/1986	Prophit	.....	381/86
4,655,315	A	*	4/1987	Saville	.....	181/153
D319,446	S	*	8/1991	Yamamoto	.....	D14/215
5,082,084	A	*	1/1992	Ye-Ming	.....	181/153
5,824,969	A	*	10/1998	Takenaka	.....	181/151
5,864,100	A	*	1/1999	Newman	.....	181/199
5,892,182	A	*	4/1999	Newman	.....	181/156
D484,114	S	*	12/2003	Gansterer	.....	D14/215

**OTHER PUBLICATIONS**

The 3D–Spiral Horn Speaker Building, pp. 1–7, internet  
publication, undated.

Acoustical Art, pp. 1–3, internet publication, undated.

\* cited by examiner

*Primary Examiner*—Nanda Bondade

(74) *Attorney, Agent, or Firm*—Roylance, Abrams, Berdo  
& Goodman, LLP

(57) **CLAIM**

The ornamental design for a speaker, as shown and  
described.

**DESCRIPTION**

FIG. 1 is a perspective view of a speaker showing my new  
design;

FIG. 2 is a front elevational view thereof;

FIG. 3 is a rear elevational view thereof;

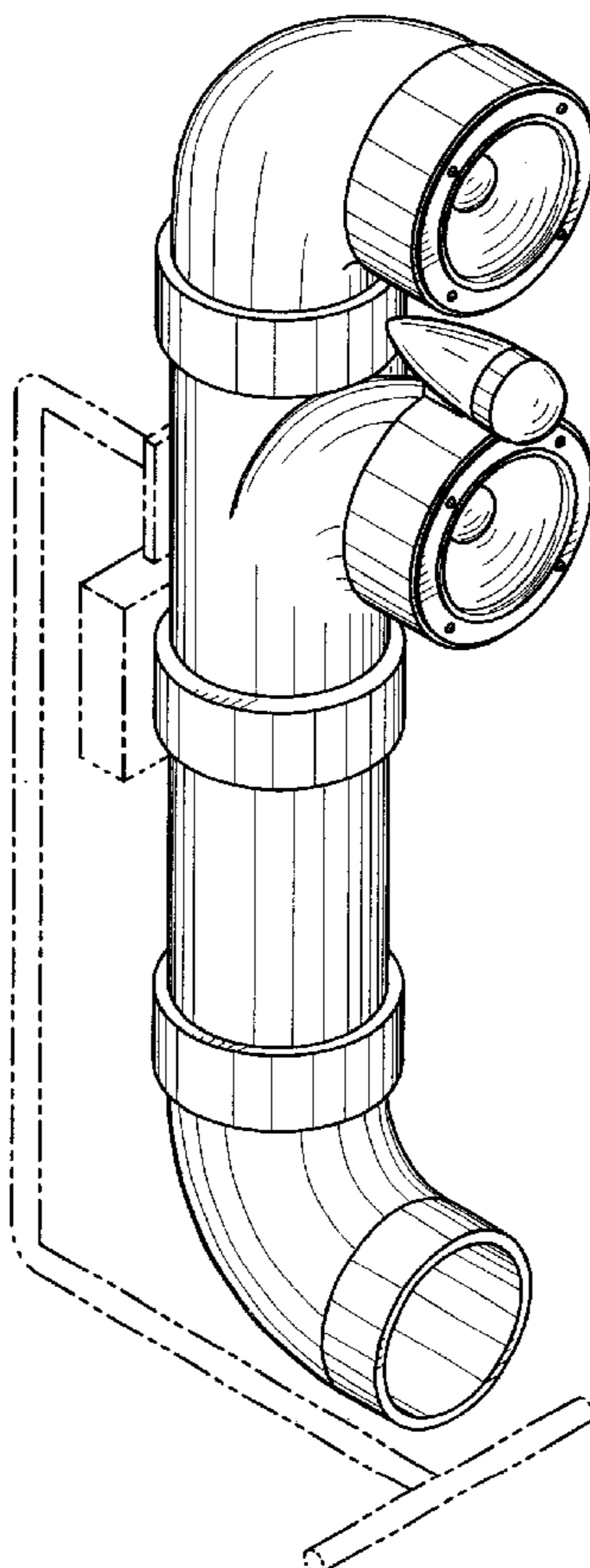
FIG. 4 is a left side elevational view thereof;

FIG. 5 is a top plan view thereof; and,

FIG. 6 is a bottom plan view thereof.

The broken line showing in the drawing disclosure is for  
illustrative purposes only and forms no part of the claimed  
design.

**1 Claim, 4 Drawing Sheets**



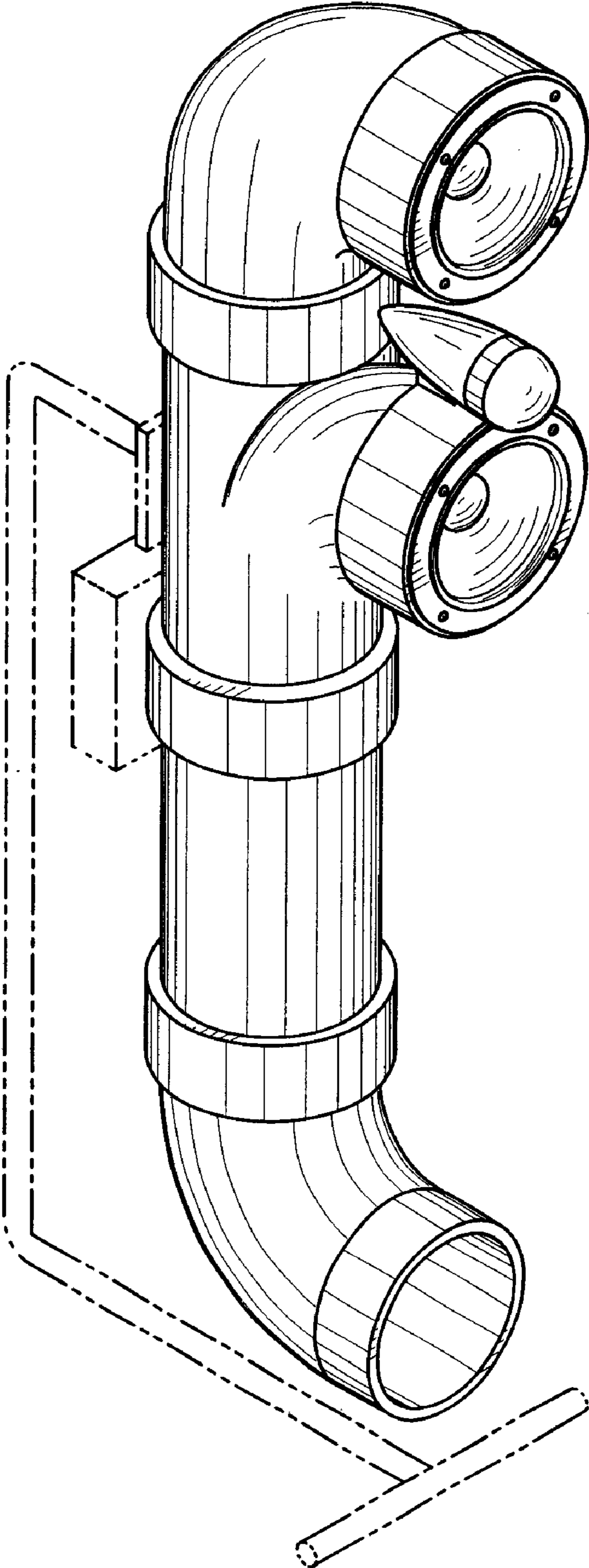


FIG. 1

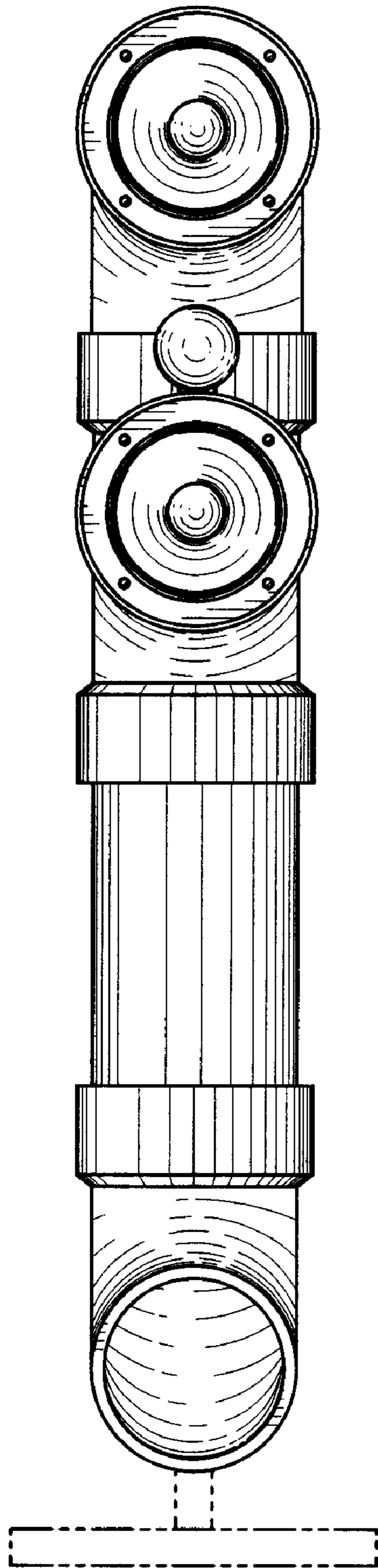


FIG. 2

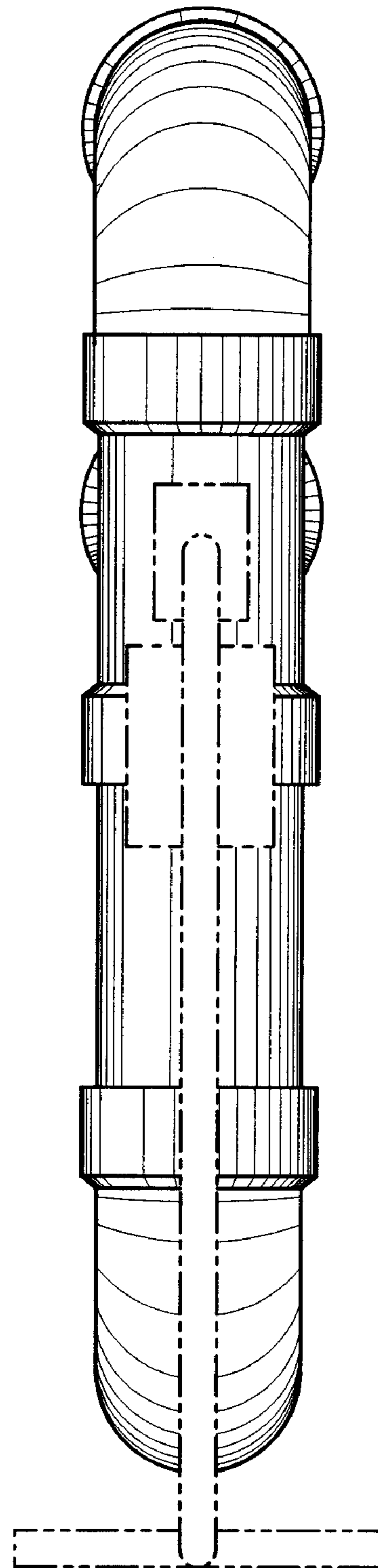


FIG. 3

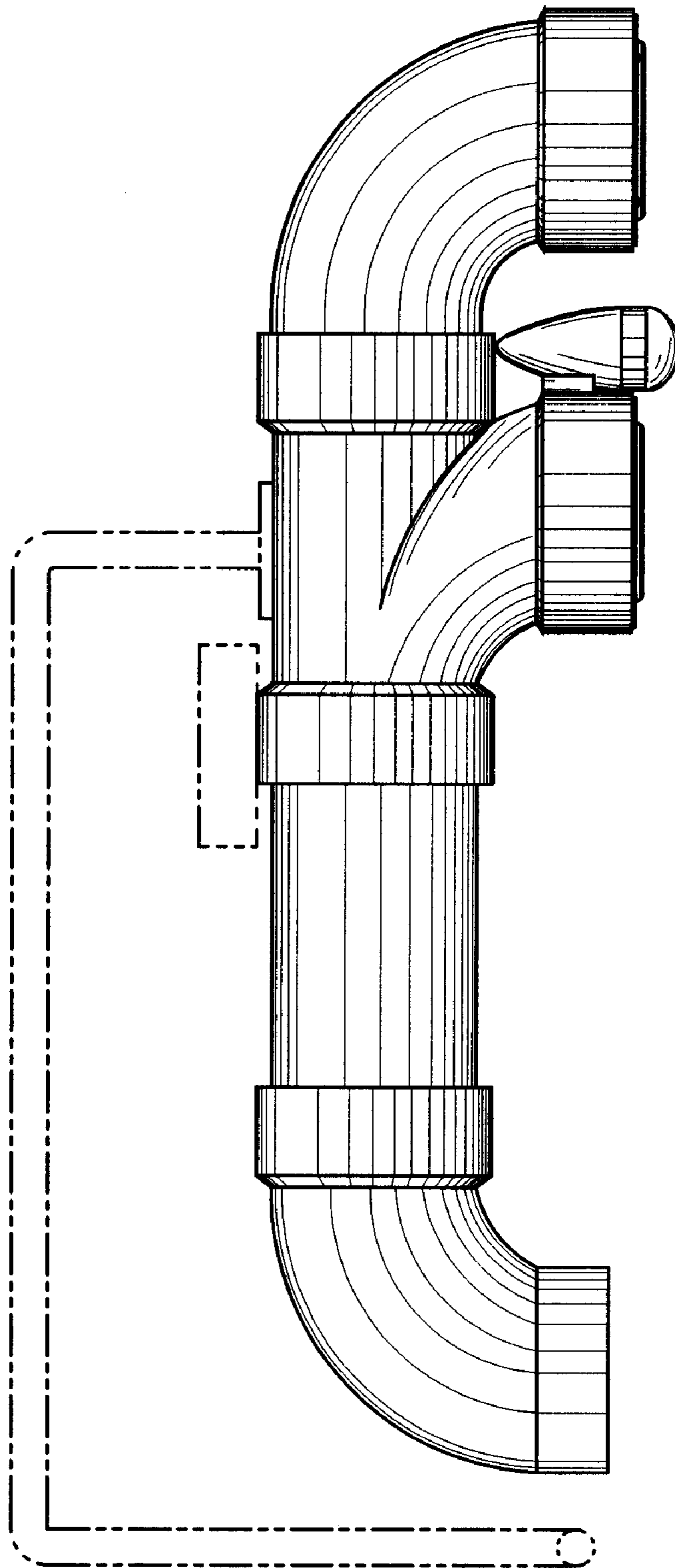


FIG. 4

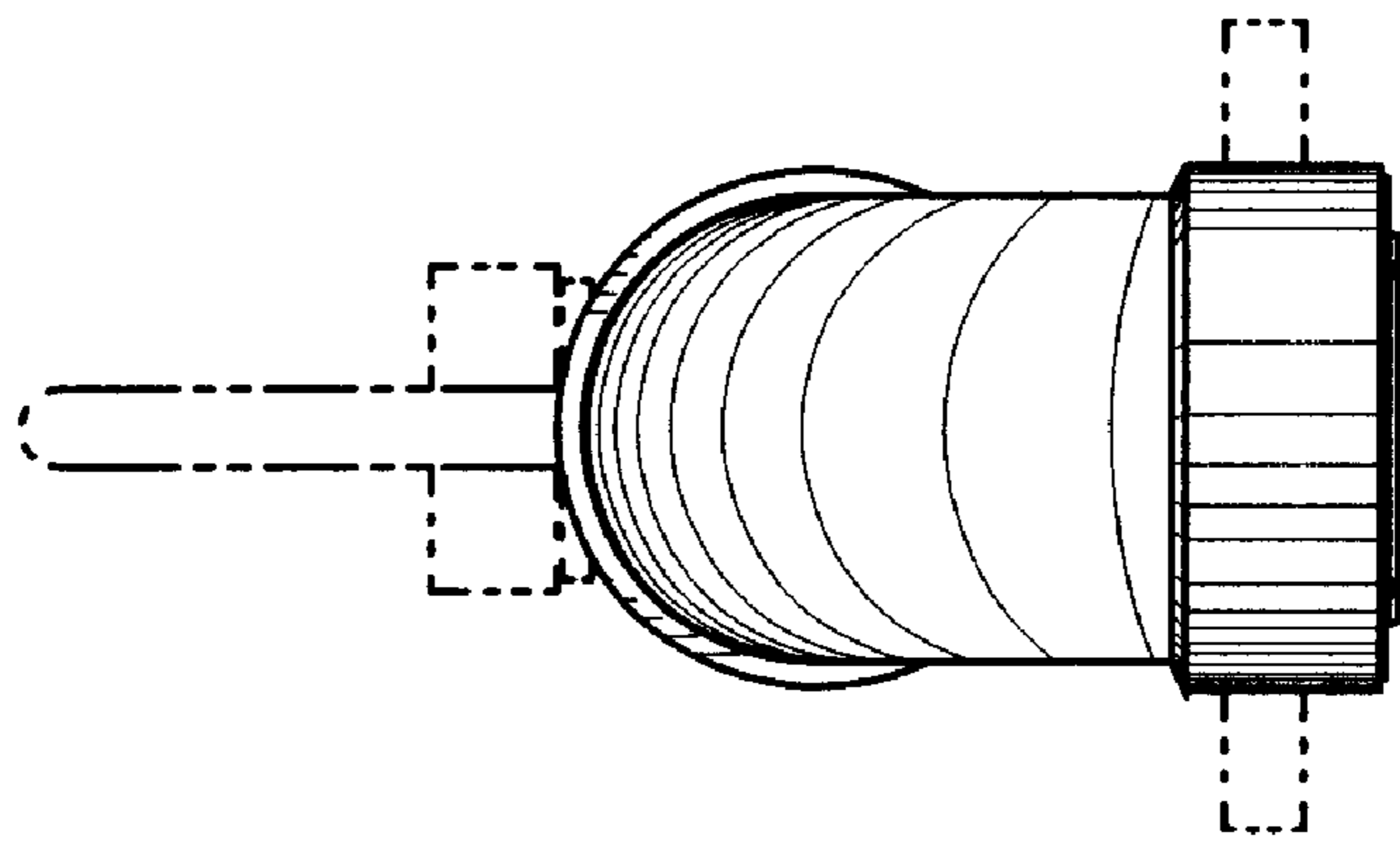


FIG. 5

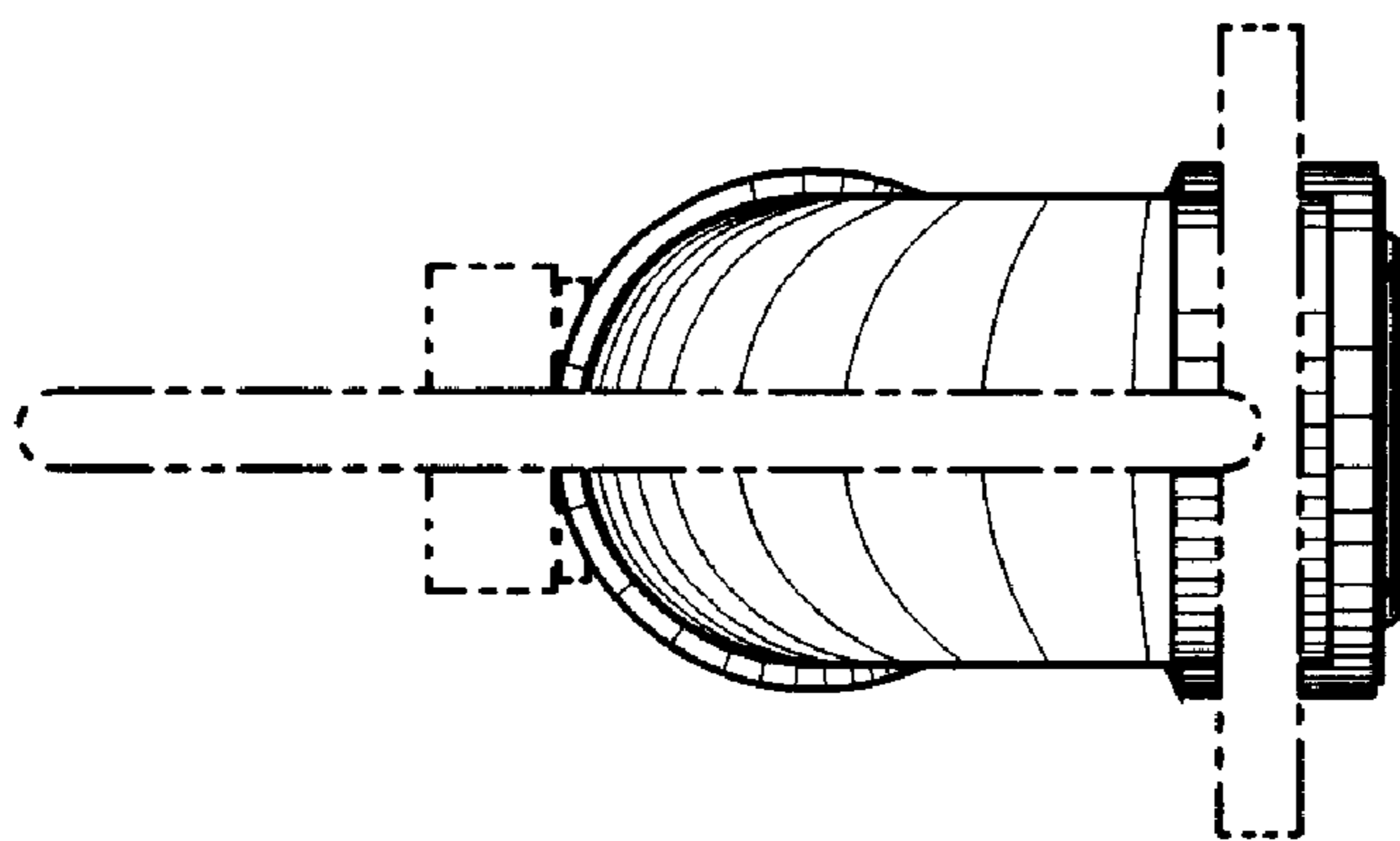


FIG. 6