



US00D526988S

(12) **United States Design Patent**
Beard

(10) **Patent No.:** **US D526,988 S**

(45) **Date of Patent:** **** Aug. 22, 2006**

(54) **CELL PHONE HOUSING**

6,052,567 A * 4/2000 Ito et al. 455/575.7
D424,051 S * 5/2000 Wicks et al. D14/138

(76) Inventor: **Thomas E. Beard**, 4444 Moore La.,
Healdsburg, CA (US) 95448

(Continued)

(**) Term: **14 Years**

OTHER PUBLICATIONS

(21) Appl. No.: **29/228,118**

“Electric Guitar Phone”, 1 pg, page updated Mar. 9, 2001,
[online], <URL: HTTP://www.noveltytelephone.com/prod-
ucts/electricguitar.html> entered into Internet Archive Way-
BackMachine at <http://www.archive.org>.*

(22) Filed: **Apr. 20, 2005**

(51) **LOC (8) Cl.** **14-03**

(52) **U.S. Cl.** **D14/138; D14/143**

(58) **Field of Classification Search** D14/138,
D14/142, 143, 147, 148, 149, 151, 243, 249,
D14/251–253; D17/14, 17; D21/405, 517;
455/90.3, 556.1, 556.2, 566, 575.1; 379/433.01–433.13,
379/434

“Telemania Gibson Guitar Novelty Telephone”, 2 pages,
[online], URL: http://64.233.161.104/search?q=
cache:D4Sxokile9sJ:wantitnow.ebay.com/ws/eBayISAPI.
dll%3FWantItNowView%26adid%3D6461821697+guitar+
phone&hi=en>, cache as retrieved on Jan. 15, 2006.*

See application file for complete search history.

Primary Examiner—Jeffrey D. Asch

Assistant Examiner—C. J. Wright

(74) *Attorney, Agent, or Firm*—Johnson & Stainbrook LLP;
Craig M. Stainbrook; Larry D. Johnson

(56) **References Cited**

(57) **CLAIM**

U.S. PATENT DOCUMENTS

The ornamental design for a cell phone housing, as shown
and described.

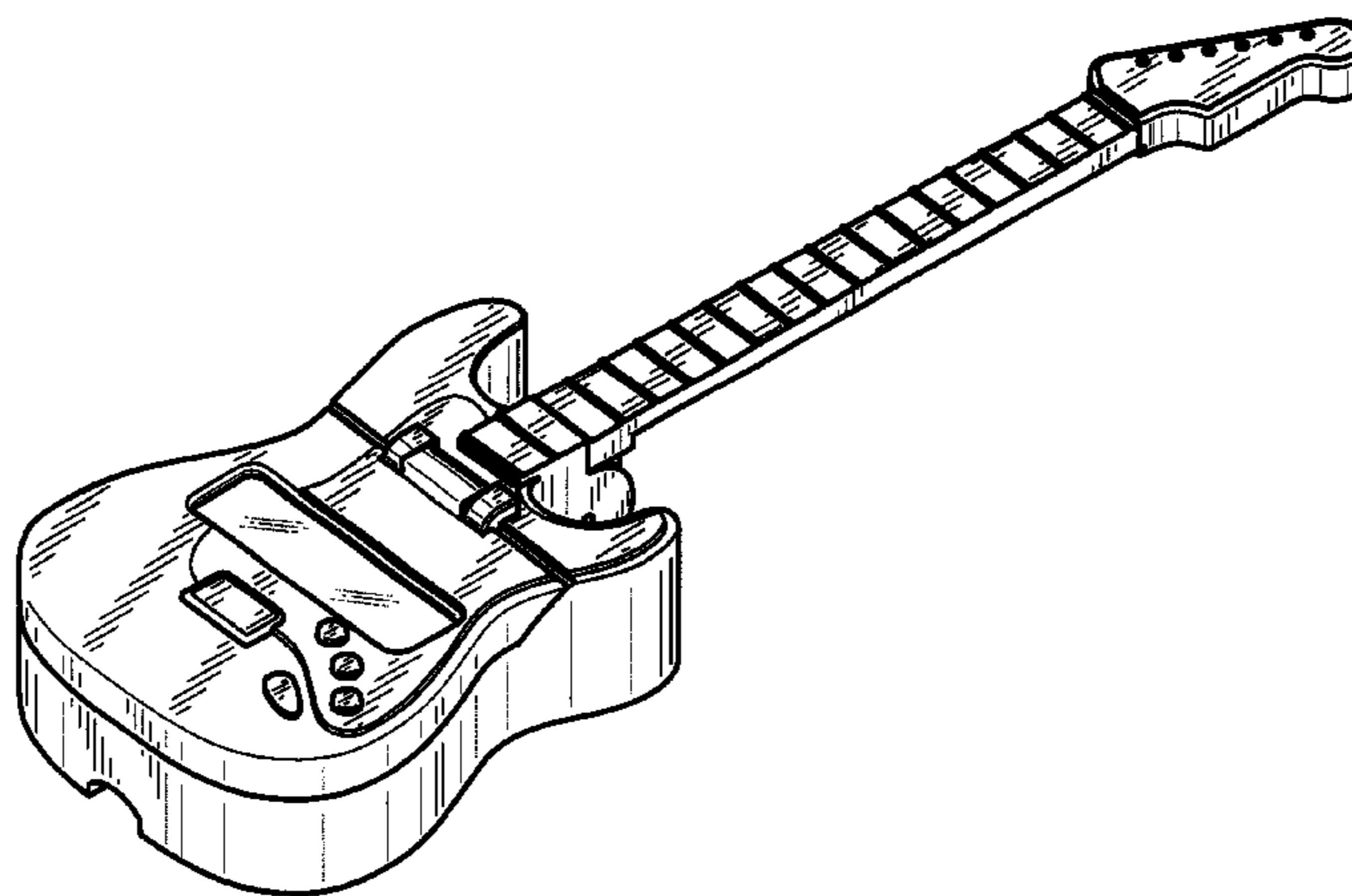
D164,227 S	*	8/1951	Fender	D17/14
D197,627 S	*	3/1964	Burns	D17/14
D215,354 S	*	9/1969	Broussard	D17/14
D248,254 S	*	6/1978	Miller	D26/94
D258,290 S	*	2/1981	Hayashi	D17/14
D258,363 S	*	2/1981	Weindel et al.	D17/1
D258,739 S	*	3/1981	Todd, III	D17/14
D269,180 S	*	5/1983	Ridings	D14/189
D274,733 S	*	7/1984	Hampton et al.	D17/14
D276,722 S	*	12/1984	Festa	D14/143
D280,521 S	*	9/1985	Wechter	D17/19
D286,400 S	*	10/1986	Moller	D14/143
D350,744 S	*	9/1994	Hino	D14/138
D371,126 S	*	6/1996	Bro	D14/138
D373,127 S	*	8/1996	Godee et al.	D14/248
5,555,449 A	*	9/1996	Kim	455/575.7
5,706,332 A	*	1/1998	Nagai	455/575.3
5,715,311 A	*	2/1998	Sudo et al.	379/433.01
D396,464 S	*	7/1998	Bradford	D14/138
D406,587 S	*	3/1999	Wicks et al.	D14/138
5,940,503 A	*	8/1999	Palett et al.	379/454
D415,150 S	*	10/1999	Hasegawa et al.	D14/138
5,982,883 A	*	11/1999	Alix et al.	379/433.12
6,052,464 A	*	4/2000	Harris et al.	379/433.07

DESCRIPTION

FIG. 1 is a lower right front perspective view in off mode.
FIG. 2 is an upper left rear perspective view in off mode.
FIG. 3 is a lower right front perspective view in answer
mode.
FIG. 4 is an upper left rear perspective view in answer mode.
FIG. 5 is a lower right front perspective view in open mode.
FIG. 6 is an upper left rear perspective view in open mode.
FIG. 7 is a front elevational view.
FIG. 8 is a right side elevational view.
FIG. 9 is a rear elevational view.
FIG. 10 is a left side elevation view.
FIG. 11 is a top plan view; and,
FIG. 12 is a bottom plan view.

The broken line showing of the keypad buttons and display
in FIG. 5 is for illustrative purposes only and forms no part
of the claimed design.

1 Claim, 6 Drawing Sheets



US D526,988 S

Page 2

U.S. PATENT DOCUMENTS

6,101,402	A	*	8/2000	Bartha et al.	455/569.1	D483,794	S	*	12/2003	Kwon	D17/14
6,137,883	A	*	10/2000	Kaschke et al.	379/433.07	D496,958	S	*	10/2004	Amiya	D17/14
6,192,221	B1	*	2/2001	Hasegawa	455/575.3	D509,200	S	*	9/2005	Harris	D14/138
D460,953	S	*	7/2002	Argle et al.	D14/138	D510,333	S	*	10/2005	Lodato et al.	D14/138

* cited by examiner

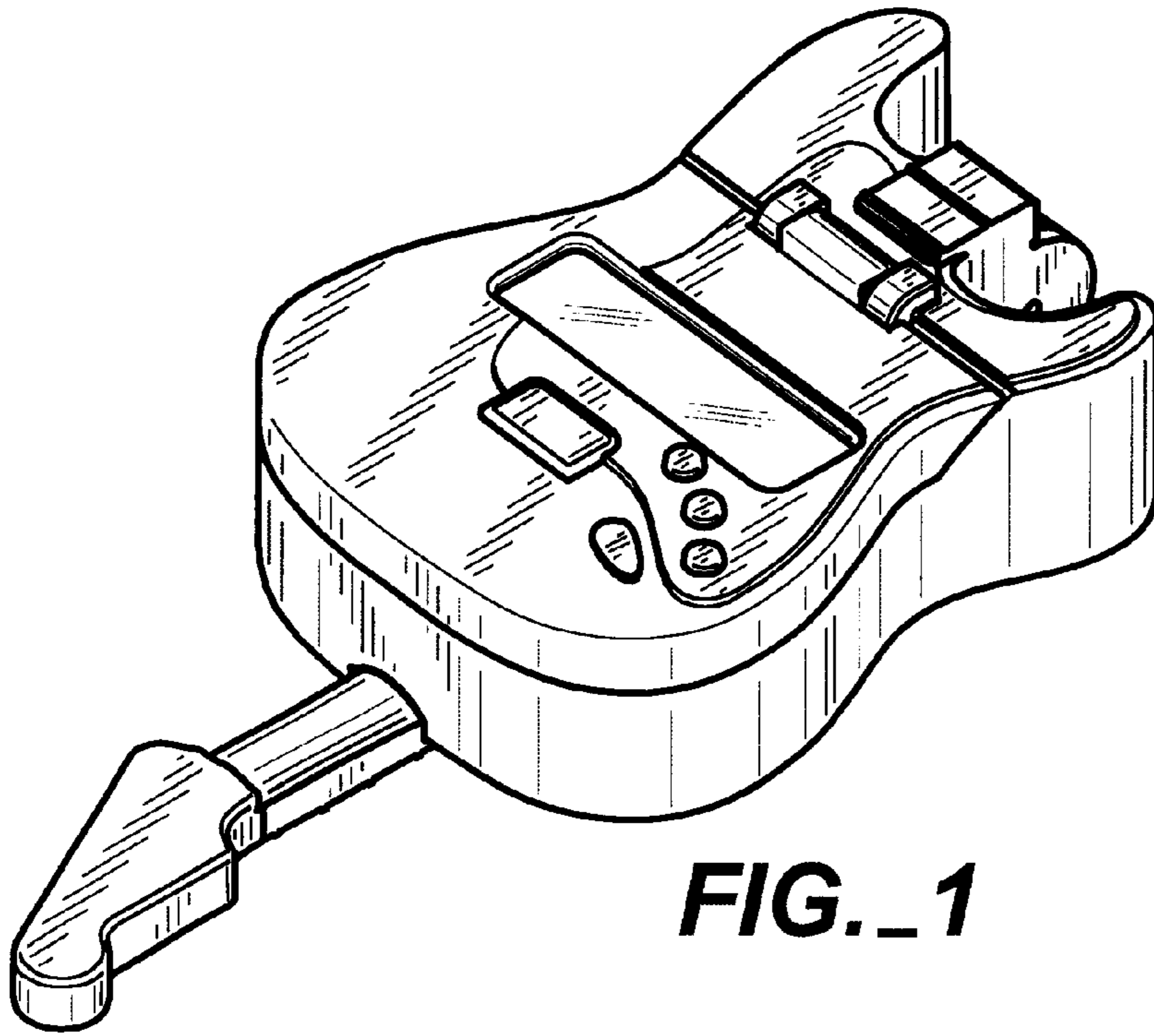


FIG. 1

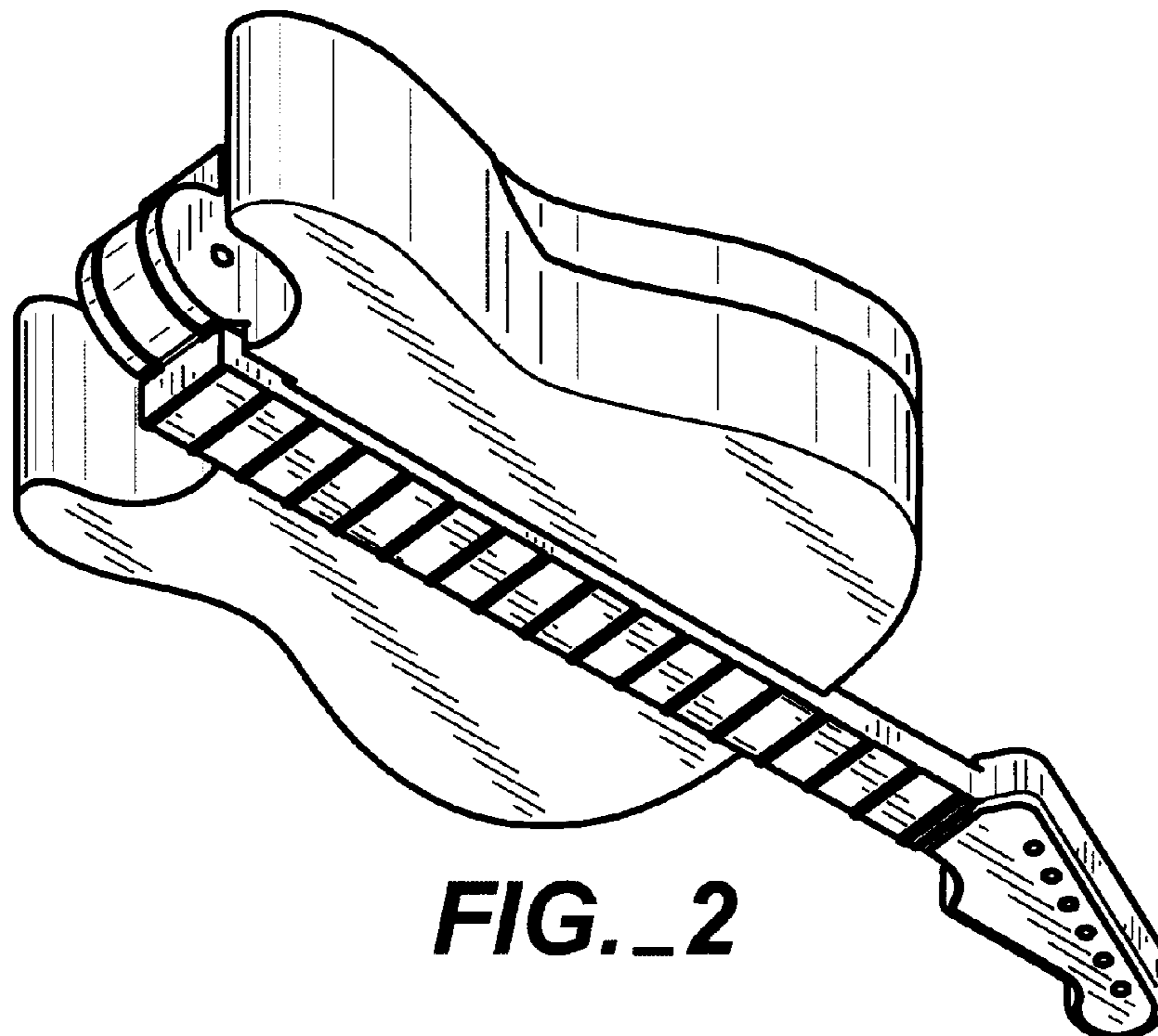


FIG. 2

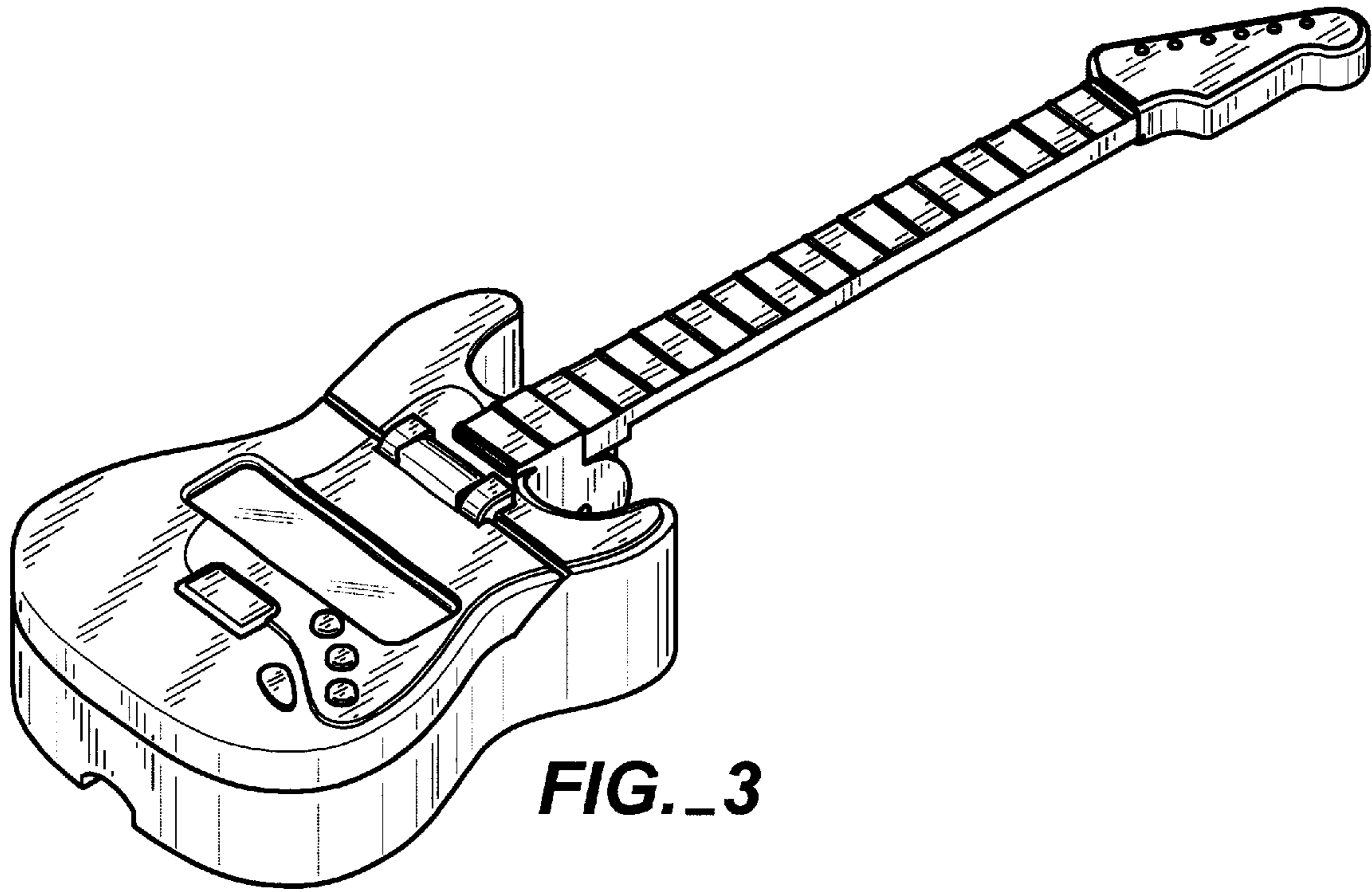


FIG._3

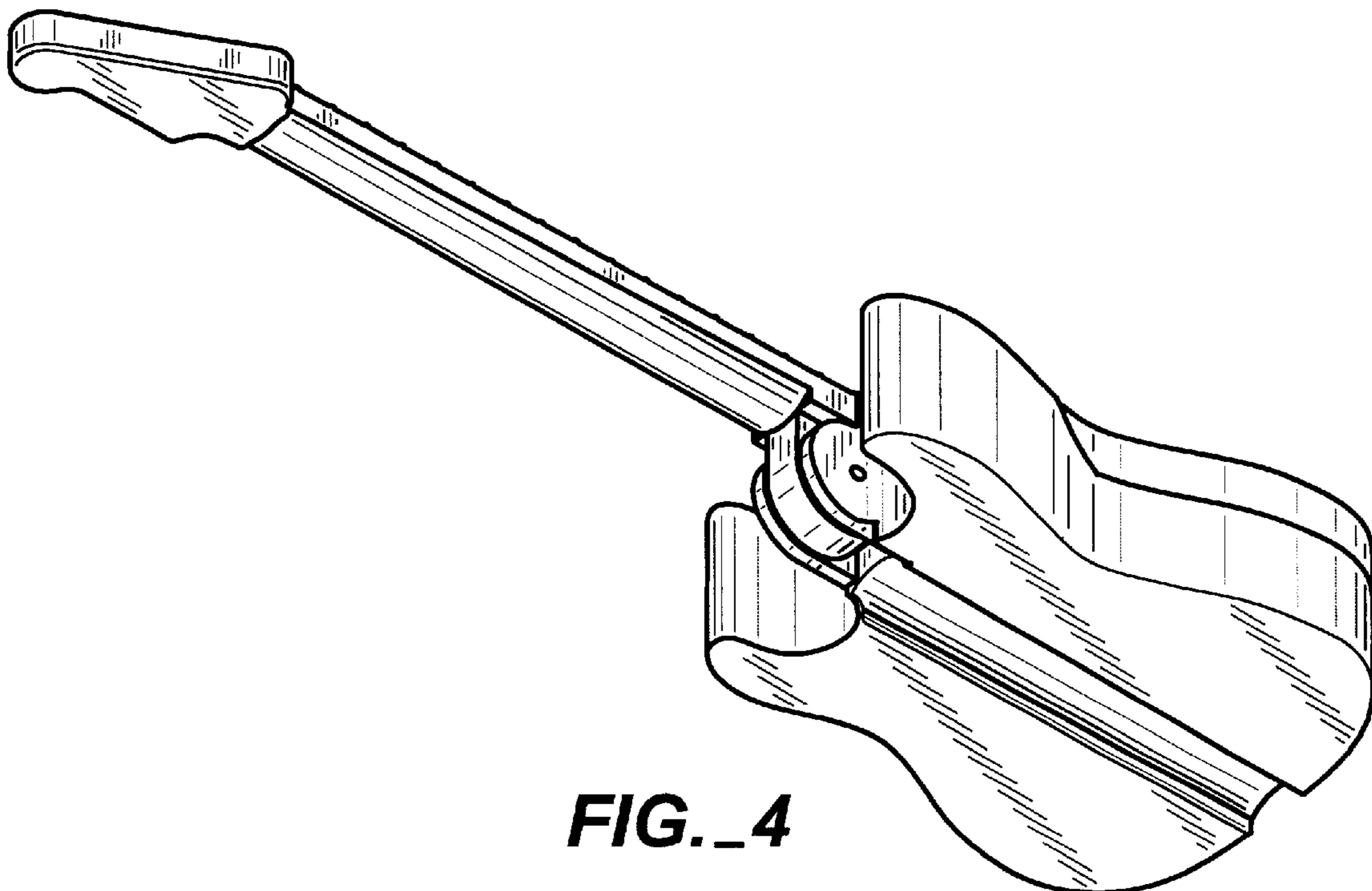


FIG._4

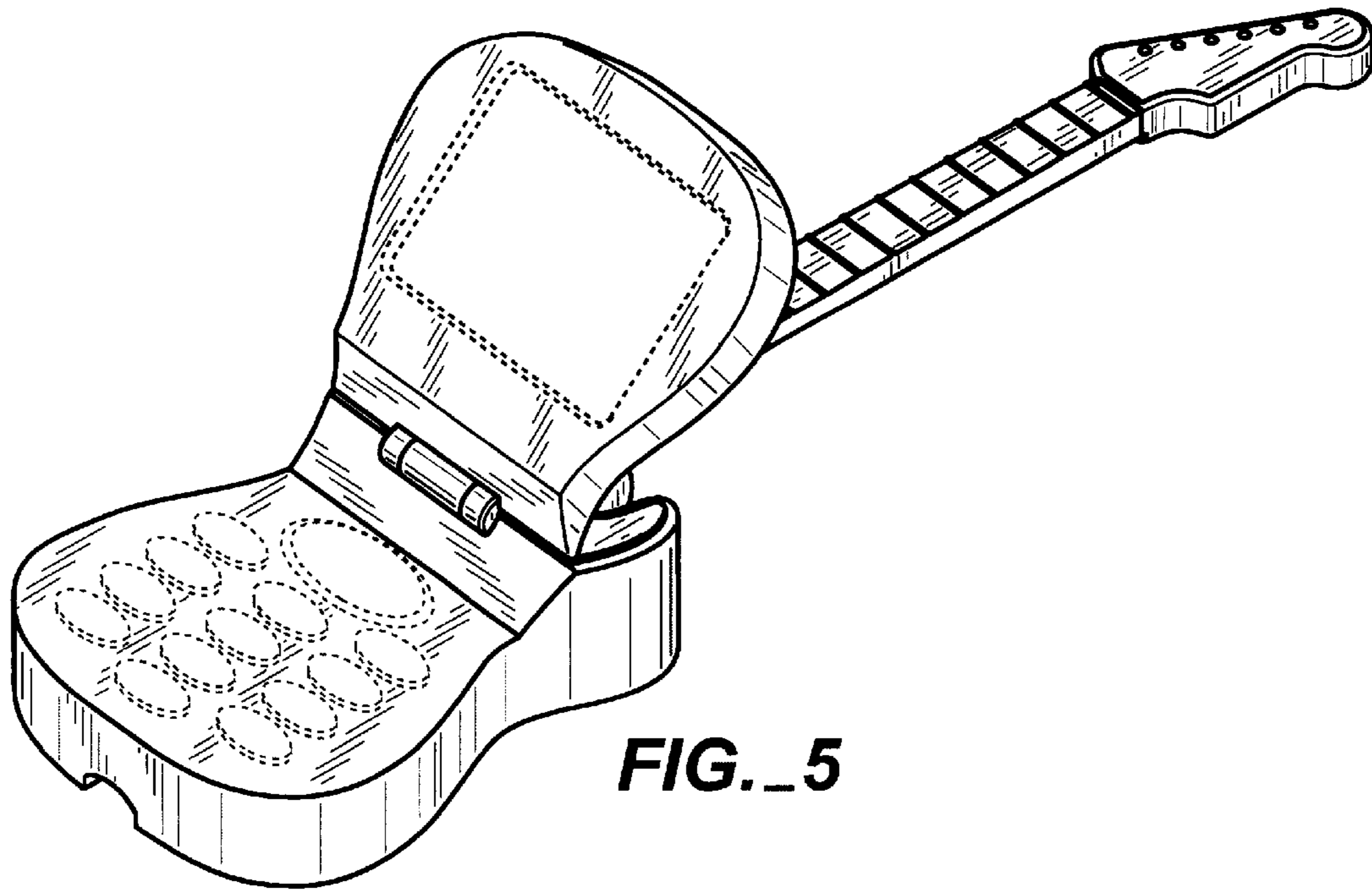


FIG._5

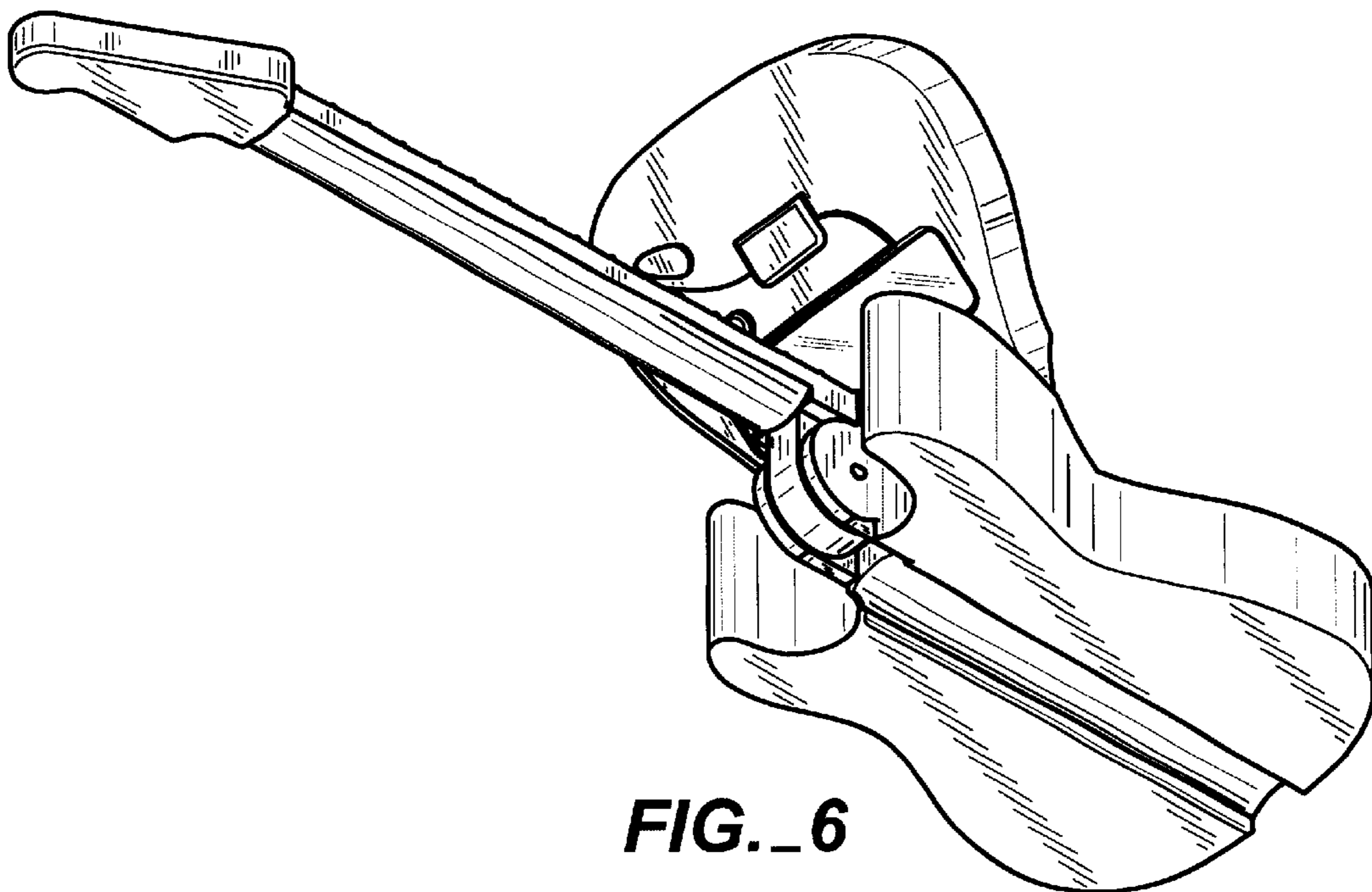


FIG._6

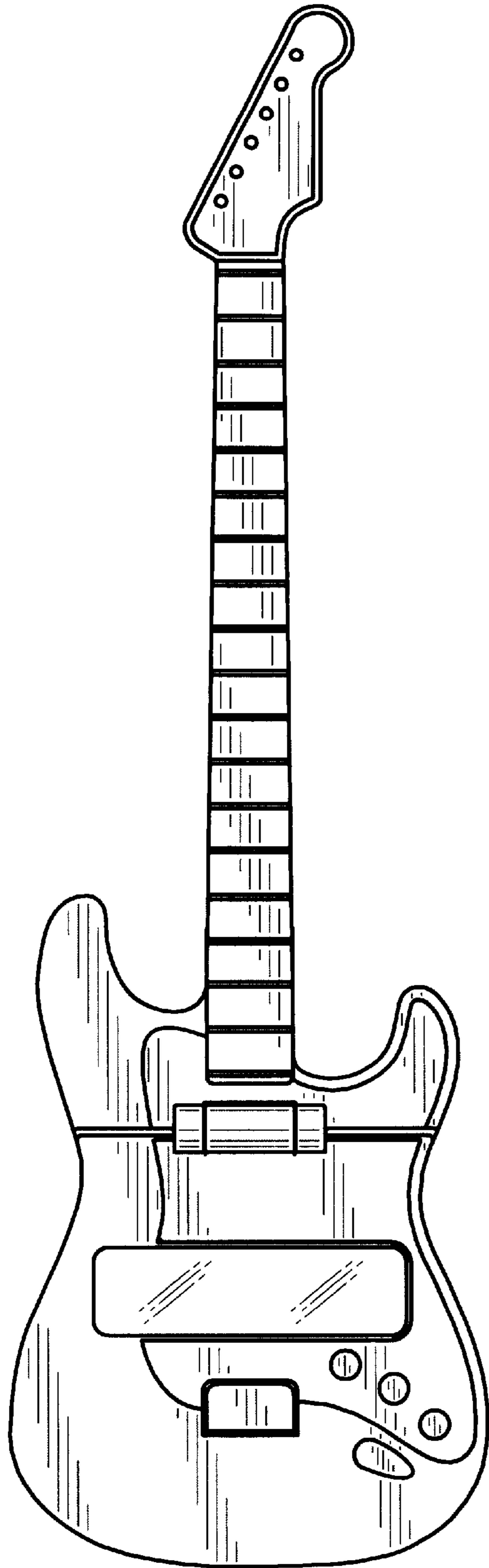


FIG. 7

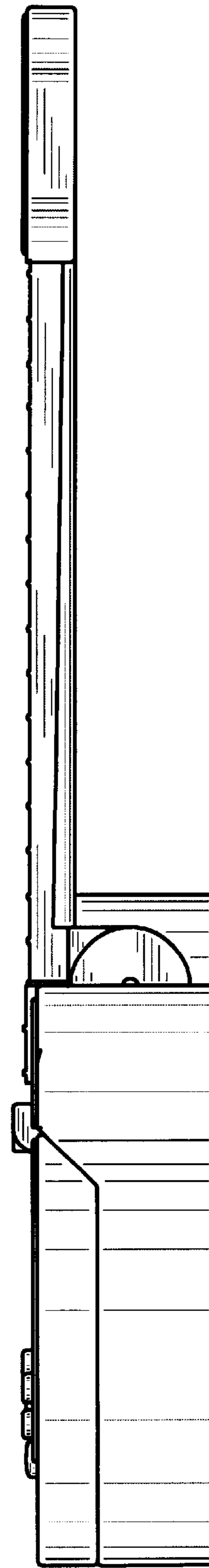


FIG. 8

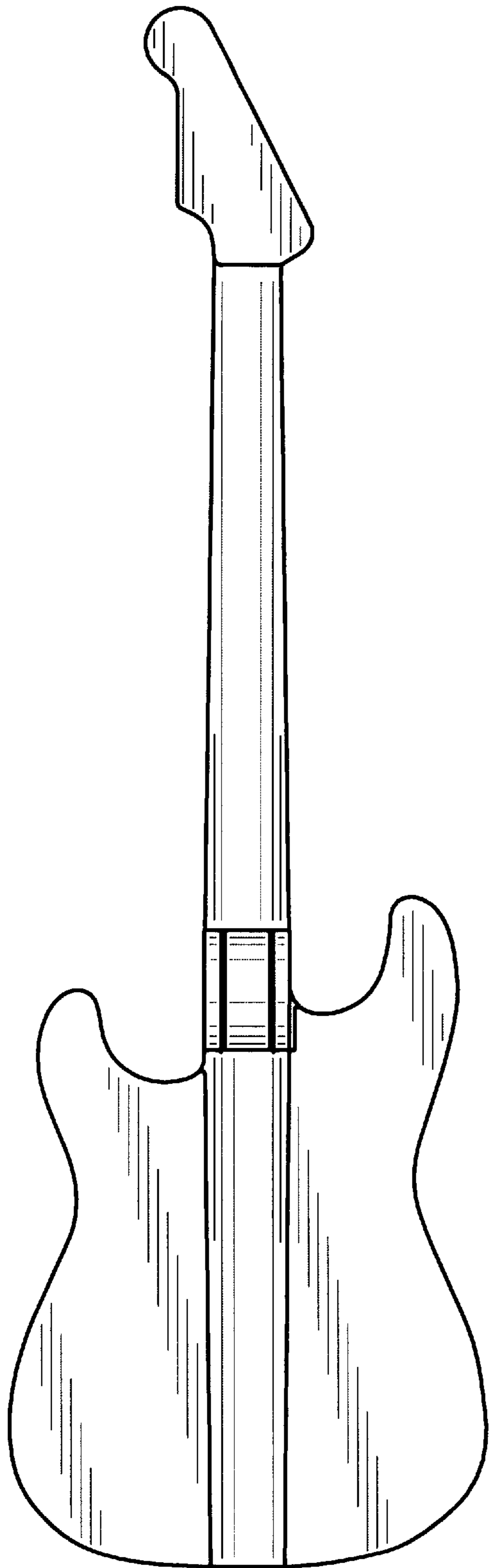


FIG. 9

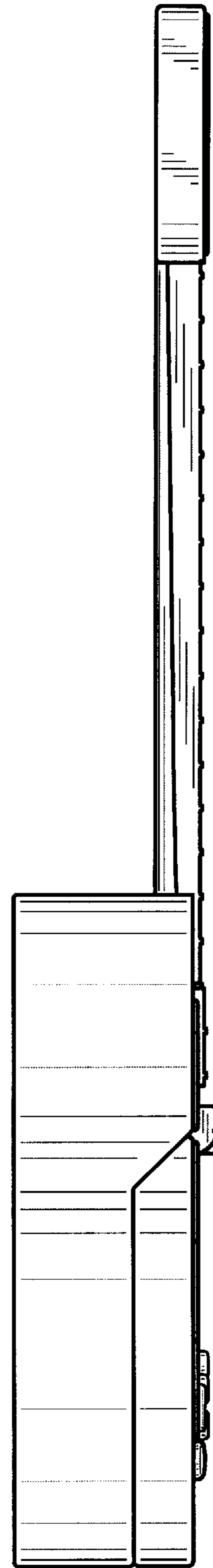


FIG. 10

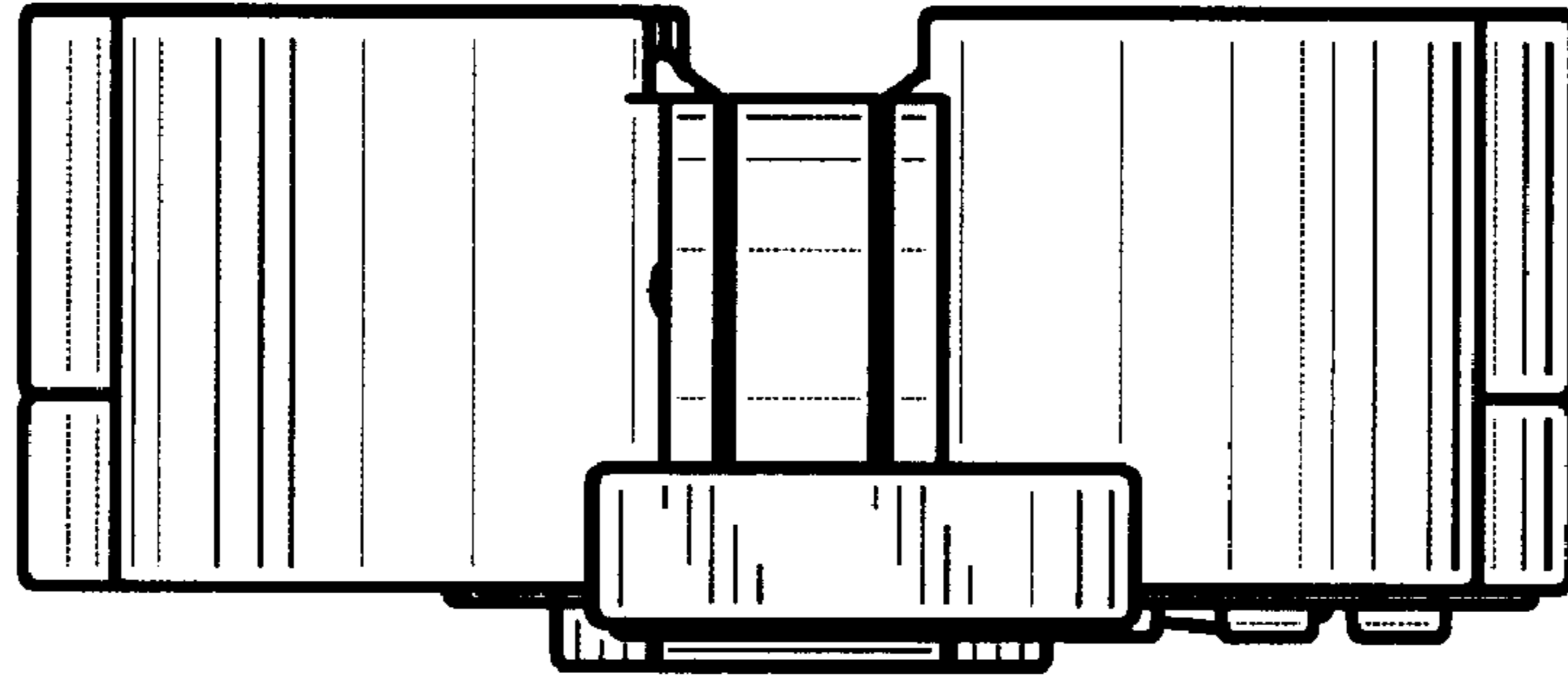


FIG. 11

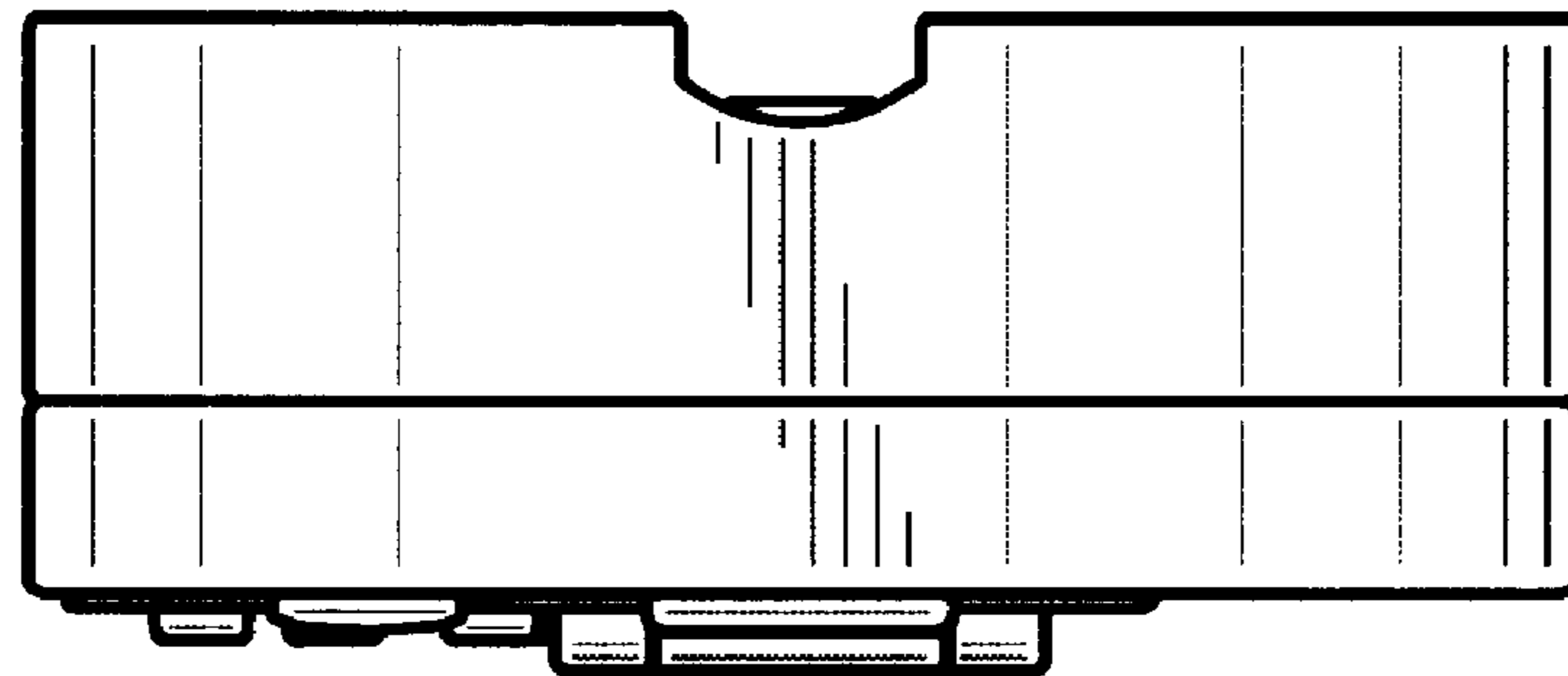


FIG. 12