



US00D526985S

(12) **United States Design Patent**
Neher et al.

(10) **Patent No.:** **US D526,985 S**

(45) **Date of Patent:** **** Aug. 22, 2006**

(54) **GPS PERSONAL LOCATOR PHONE**

(75) Inventors: **Timothy Neher**, Foster City, CA (US);
Anthony LaRochelle, San Jose, CA
(US); **Simon Swain**, Mountain View,
CA (US); **Mike Smith**, San Jose, CA
(US); **Hans Saludo**, Gilbert, AZ (US);
Frank Stoeckel, San Carlos, CA (US)

(73) Assignee: **Wherify Wireless, Inc.**, Redwood
Shores, CA (US)

(**) Term: **14 Years**

(21) Appl. No.: **29/224,470**

(22) Filed: **Mar. 1, 2005**

(51) **LOC (8) Cl.** **14-03**

(52) **U.S. Cl.** **D14/138; D10/65**

(58) **Field of Classification Search** D14/137,
D14/138, 147-148, 247-248, 144, 341-347;
379/433.01-433.13; 455/575.4, 566, 575.1,
455/556.1, 556.2, 90.3; D10/65

See application file for complete search history.

(56) **References Cited**

U.S. PATENT DOCUMENTS

5,151,946	A	*	9/1992	Martensson	455/575.4
5,197,091	A	*	3/1993	Takagi et al.	455/575.7
D398,305	S	*	9/1998	Kasbekar et al.	D14/138
D406,834	S	*	3/1999	Metzcus et al.	D14/138
D408,396	S	*	4/1999	Tyneski et al.	D14/137
D409,601	S	*	5/1999	Wicks et al.	D14/138
D427,429	S	*	7/2000	Rains	D3/215
6,101,178	A	*	8/2000	Beal	370/336
D432,511	S	*	10/2000	Eckholm	D14/138
D439,887	S	*	4/2001	Hughes et al.	D14/138
D451,485	S	*	12/2001	Moss	D14/138
D451,896	S	*	12/2001	Kim	D14/137
D459,710	S	*	7/2002	Jeong	D14/138
D481,692	S	*	11/2003	Husgafvel	D14/138
D493,156	S	*	7/2004	Hamann et al.	D14/138
D494,481	S	*	8/2004	Laverick et al.	D10/65
D495,310	S	*	8/2004	Husgafvel	D14/138
D495,324	S	*	8/2004	Husgafvel	D14/248
D497,889	S	*	11/2004	Brandis	D14/138
6,822,871	B1	*	11/2004	Lee et al.	361/727

D503,164	S	*	3/2005	Park et al.	D14/138
D505,933	S	*	6/2005	Lodato et al.	D14/138
D507,255	S	*	7/2005	Watanabe et al.	D14/138
D508,037	S	*	8/2005	Joung	D14/138
D509,497	S	*	9/2005	Michler	D14/138
D509,814	S	*	9/2005	Shin et al.	D14/138
D511,760	S	*	11/2005	Shin et al.	D14/138
2003/0064688	A1	*	4/2003	Mizuta et al.	455/90
2003/0135326	A1	*	7/2003	Brown	701/213
2004/0229564	A1	*	11/2004	Huang et al.	455/41.2
2005/0107126	A1	*	5/2005	Kim	455/565

FOREIGN PATENT DOCUMENTS

JP D1088577 * 10/2000

OTHER PUBLICATIONS

Samsung Z320i telephone, announced fourth quarter 2005, [online], [retrieved on Feb. 19, 2006]. Retrieved from Internet ,<URL: <http://www.gsmarena.com>>.*

LG S5200 telephone, announced Oct. 2005, [online], [retrieved on Feb. 16, 2006]. Retrieved from Internet ,<URL: <http://www.gsmarena.com>>.*

NEC c616v telephone, announced fourth quarter 2003, [online], [retrieved on Mar. 3, 2006]. Retrieved from Internet ,<URL: <http://www.gsmarena.com>>.*

* cited by examiner

Primary Examiner—Jeffrey Asch

(74) *Attorney, Agent, or Firm*—Wilson Sonsini Goodrich & Rosati

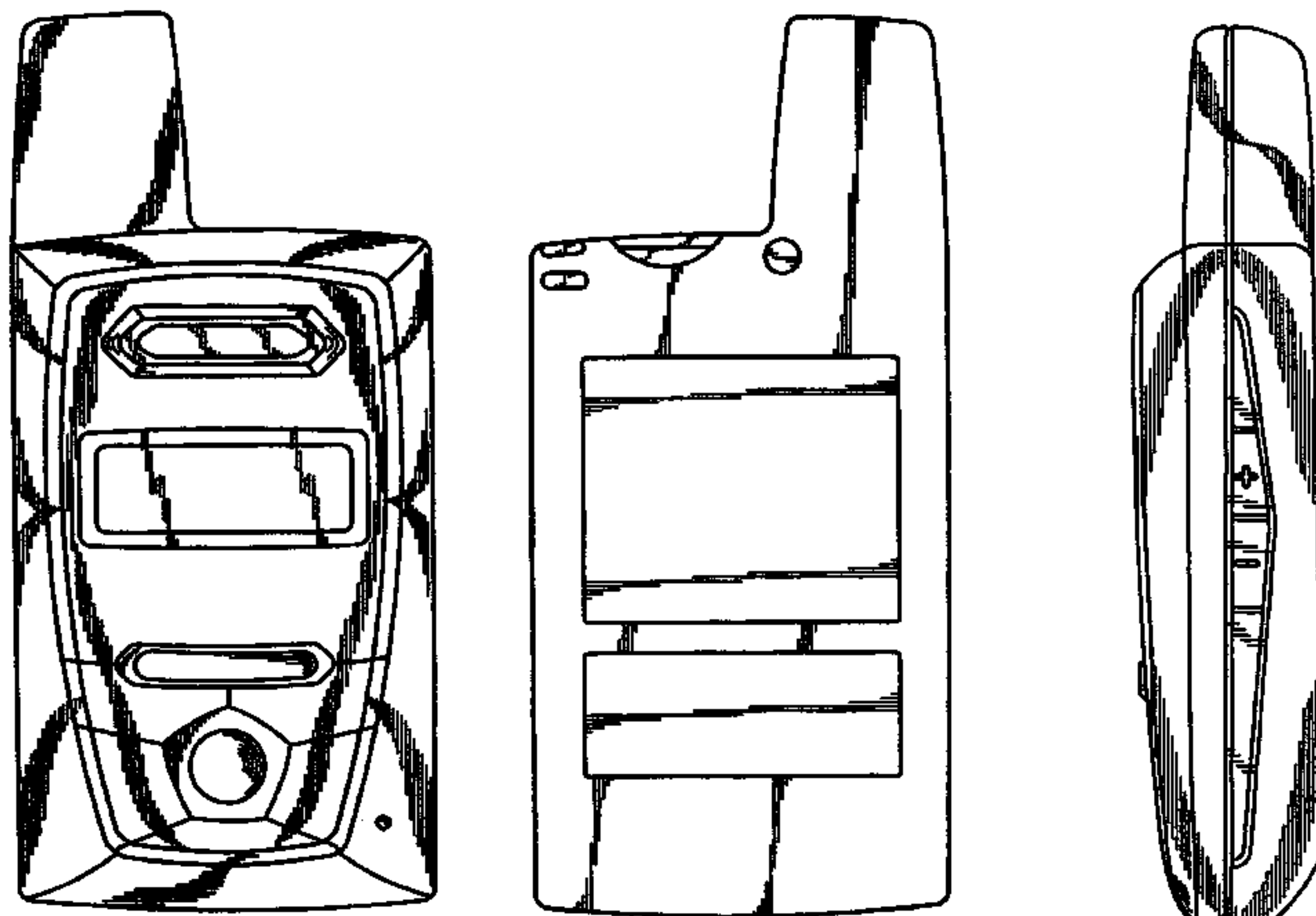
(57) **CLAIM**

The ornamental design for a GPS personal locator phone, as shown and described.

DESCRIPTION

FIG. 1 is a front, bottom, right perspective view of a GPS personal locator phone, showing our new design; FIG. 2 is a front elevation view thereof; FIG. 3 is a rear elevation view thereof; FIG. 4 is a left side view thereof; FIG. 5 is a right side view thereof; FIG. 6 is a top plan view thereof; and, FIG. 7 is a bottom plan view thereof.

1 Claim, 7 Drawing Sheets



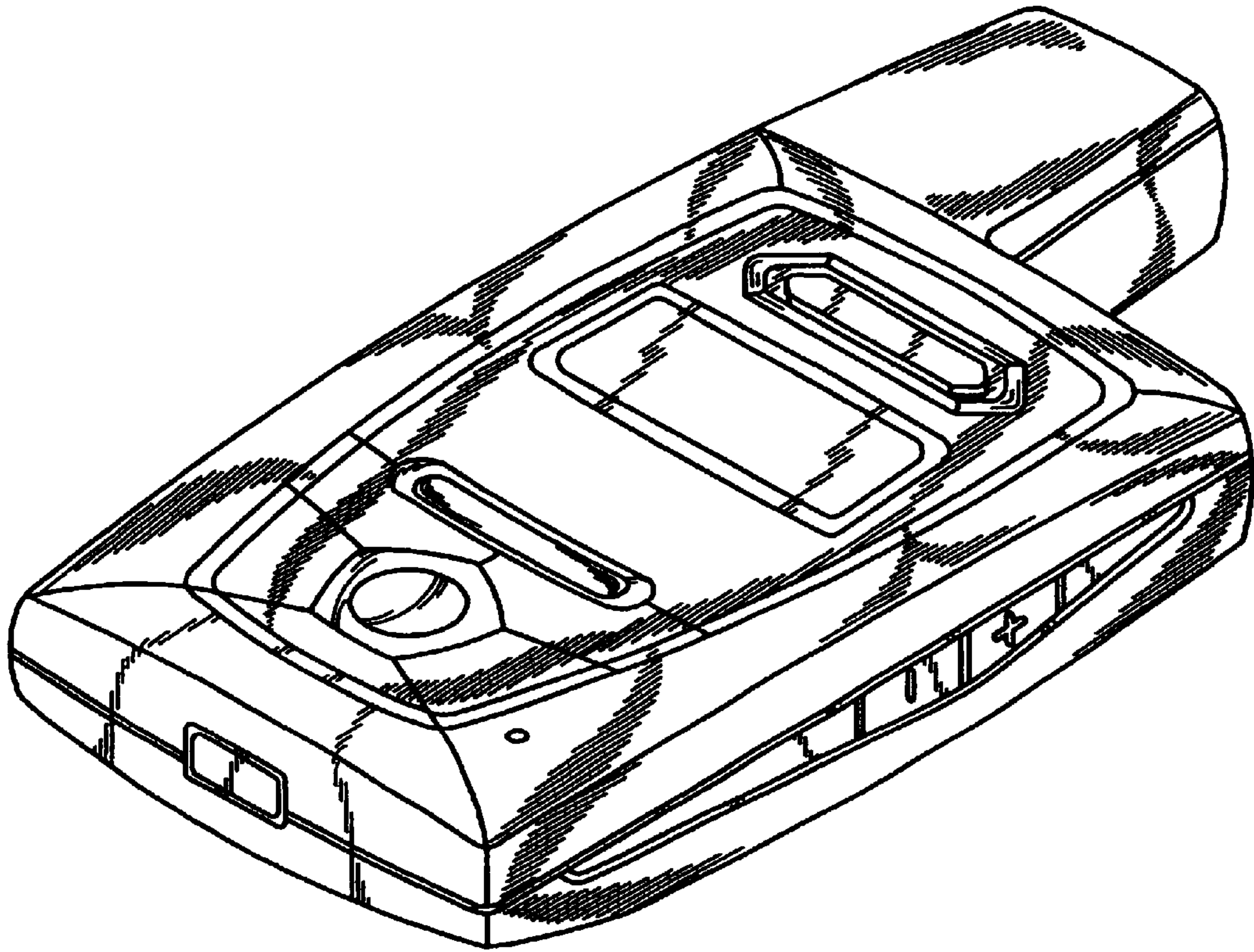


FIG. 1

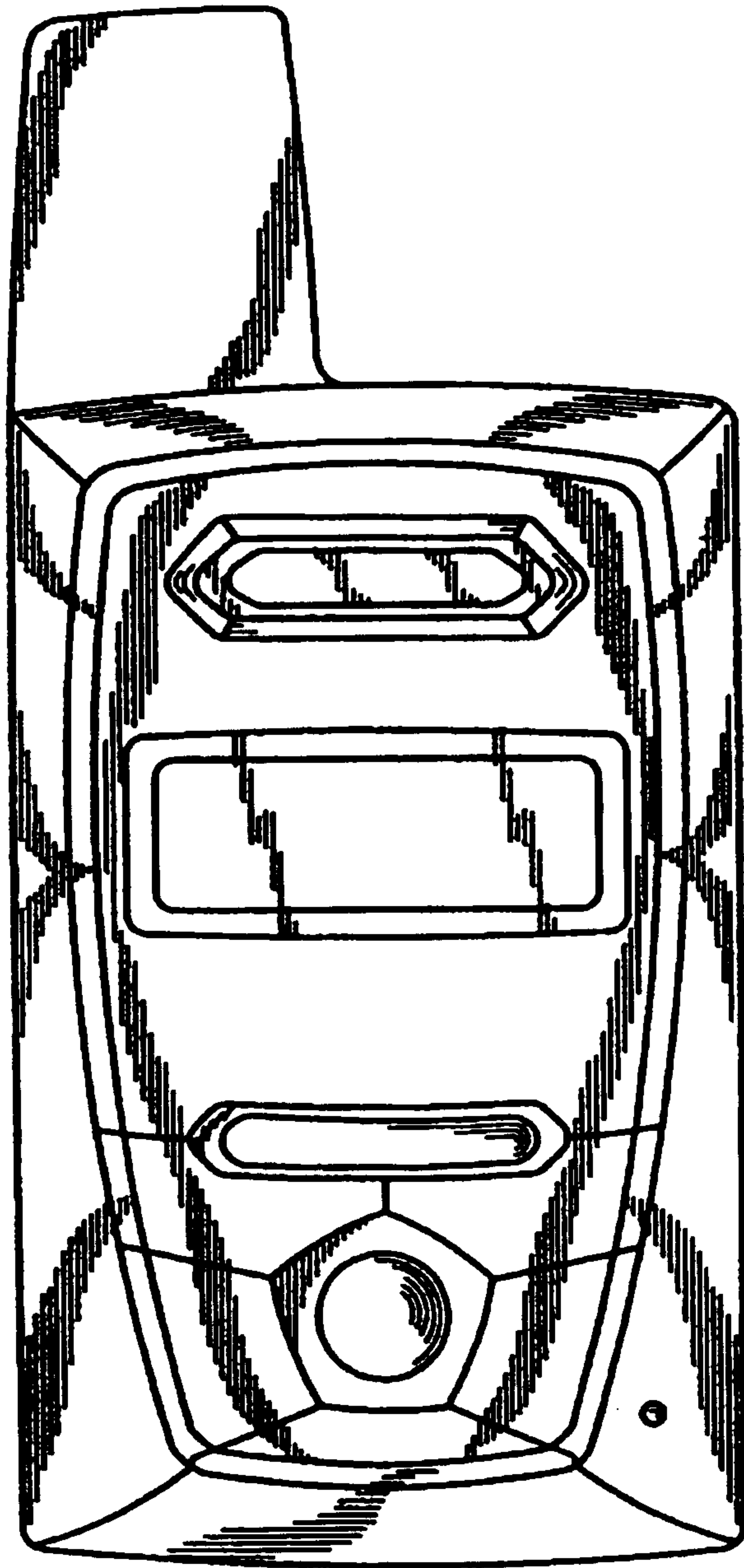


FIG. 2

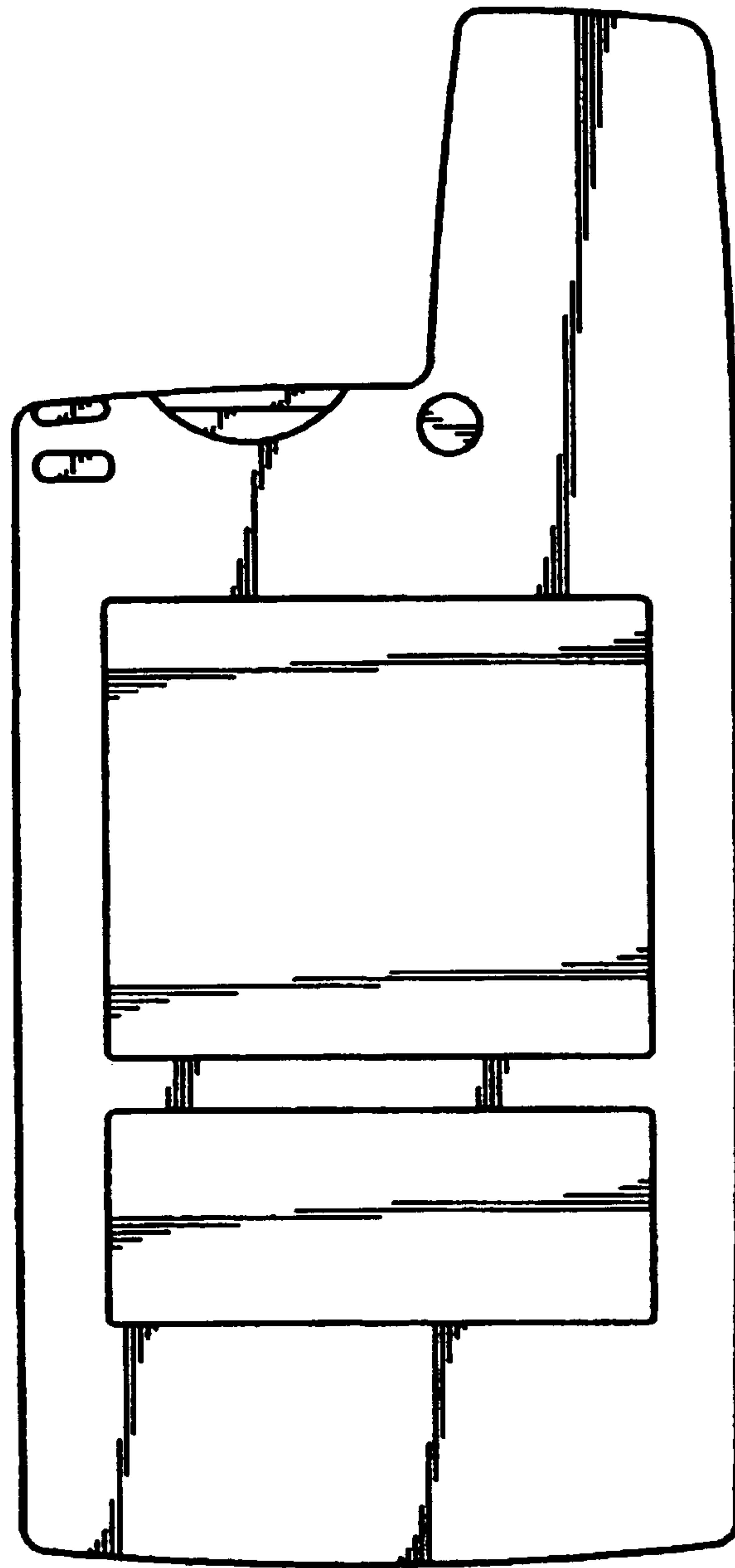


FIG. 3

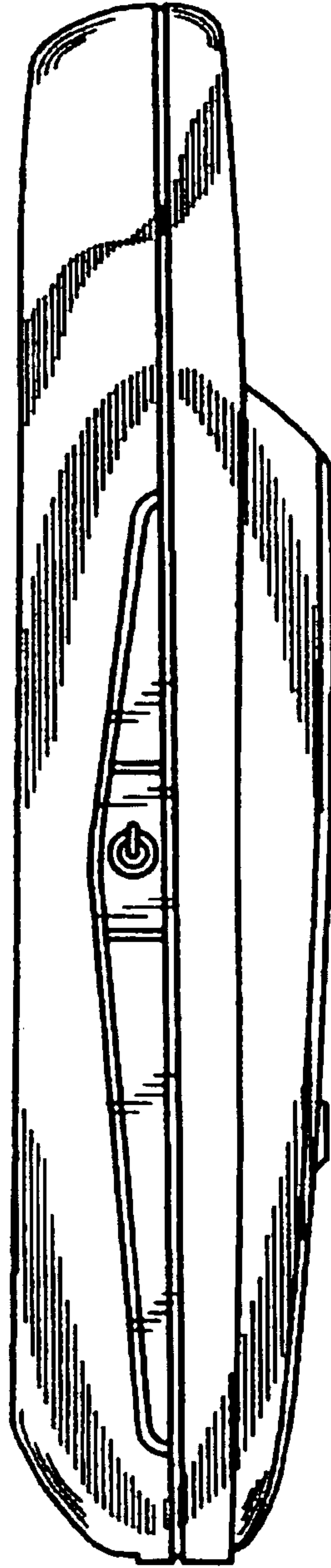


FIG. 4

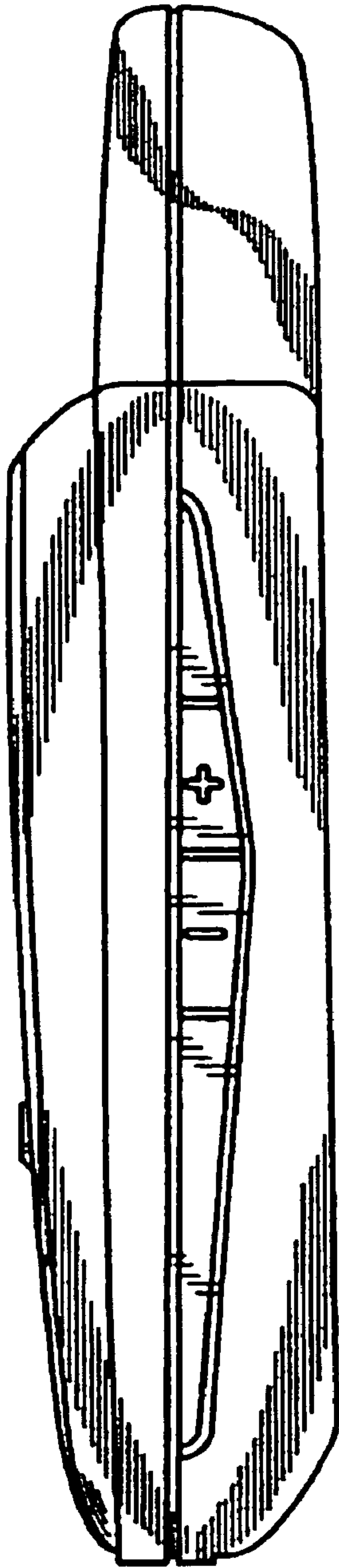


FIG. 5

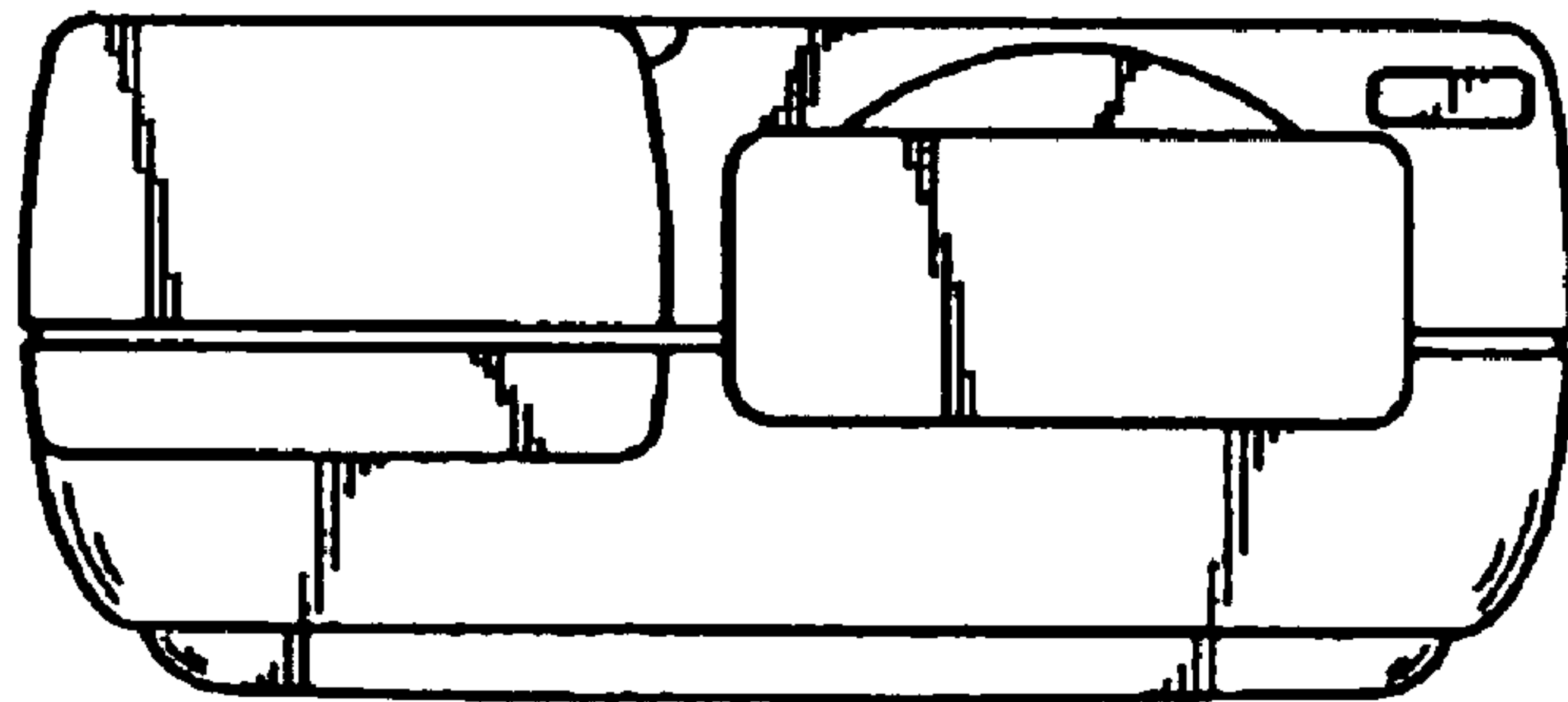


FIG. 6

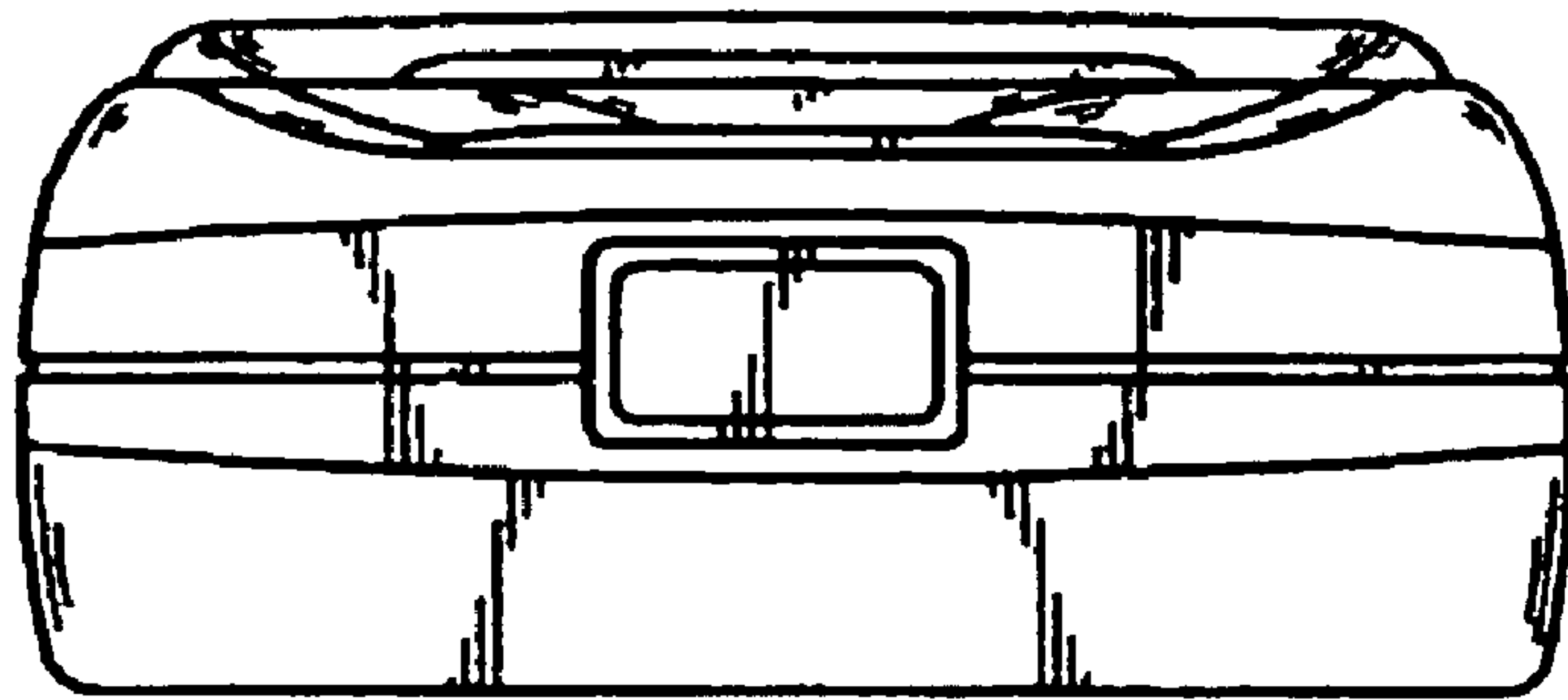


FIG. 7