



US00D526984S

(12) **United States Design Patent**
Kim et al.

(10) **Patent No.:** **US D526,984 S**

(45) **Date of Patent:** **** Aug. 22, 2006**

(54) **CELLULAR PHONE**

(75) Inventors: **Nam Mi Kim**, Seoul (KR); **Chang Hwan Hwang**, Goyang-si (KR); **Jin Soo Kim**, Seoul (KR); **Hye Jeong Lee**, Seoul (KR)

(73) Assignee: **Samsung Electronics Co., Ltd.** (KR)

(**) Term: **14 Years**

(21) Appl. No.: **29/222,273**

(22) Filed: **Jan. 27, 2005**

(30) **Foreign Application Priority Data**

Jan. 17, 2005 (KR) 30-2005-0001290

(51) **LOC (8) Cl.** **14-03**

(52) **U.S. Cl.** **D14/138**

(58) **Field of Classification Search** D14/137,
D14/138, 147-148, 247-248, 144, 341-347;
379/433.01-433.13; 455/575.4, 566, 575.1,
455/556.1, 556.2, 90.3

See application file for complete search history.

(56) **References Cited**

U.S. PATENT DOCUMENTS

D466,096 S	*	11/2002	Takada	D14/138
D479,215 S	*	9/2003	Yokoyama	D14/138
D495,695 S	*	9/2004	Yugaya	D14/346
D496,640 S	*	9/2004	Seo	D14/138
6,822,871 B1	*	11/2004	Lee et al.	361/727
D500,992 S	*	1/2005	Shen et al.	D14/138
D502,162 S	*	2/2005	Kim et al.	D14/138
D503,164 S	*	3/2005	Park et al.	D14/138
D508,240 S	*	8/2005	Lee et al.	D14/138
D508,473 S	*	8/2005	Lee et al.	D14/138
D508,688 S	*	8/2005	Lee et al.	D14/138
D509,202 S	*	9/2005	Lee et al.	D14/138
D509,204 S	*	9/2005	Michler	D14/138
D509,206 S	*	9/2005	Jang	D14/138
D512,702 S	*	12/2005	Lee et al.	D14/138
D513,740 S	*	1/2006	Park et al.	D14/138
2004/0259592 A1	*	12/2004	Taneya et al.	455/556.1
2005/0090298 A1	*	4/2005	Park et al.	455/575.4
2005/0107126 A1	*	5/2005	Kim	455/565

2005/0119034 A1	*	6/2005	Kato et al.	455/575.4
2005/0124381 A1	*	6/2005	Kim et al.	455/556.1
2005/0124394 A1	*	6/2005	Kim et al.	455/575.3
2005/0164753 A1	*	7/2005	Kato	455/575.4
2005/0233708 A1	*	10/2005	Im et al.	455/90.3
2005/0245297 A1	*	11/2005	Lee et al.	455/575.4
2005/0250532 A1	*	11/2005	Hwang et al.	455/550.1
2005/0255897 A1	*	11/2005	Lee et al.	455/575.4
2005/0266897 A1	*	12/2005	Ahn et al.	455/575.1

FOREIGN PATENT DOCUMENTS

JP 2003-298699 * 10/2003

OTHER PUBLICATIONS

Samsung D 800 telephone, announced fourth quarter 2005, [online], [retrieved on Feb. 15, 2006]. Retrieved from Internet, <URL:http://www.gsmarena.com>.*

Samsung D 820 telephone, announced fourth quarter 2005, [online], [retrieved on Feb. 15, 2006]. Retrieved from Internet, <URL:http://www.gsmarena.com>.*

(Continued)

Primary Examiner—Jeffrey Asch

(74) *Attorney, Agent, or Firm*—Irving Keschner

(57) **CLAIM**

The ornamental design for cellular phone, as shown.

DESCRIPTION

FIG. 1 is a perspective view of the ornamental design of the present invention;

FIG. 2 is a front elevational view of the ornamental design of the present invention;

FIG. 3 is a rear elevational view of the ornamental design of the present invention;

FIG. 4 is a left side elevational view of the ornamental design of the present invention;

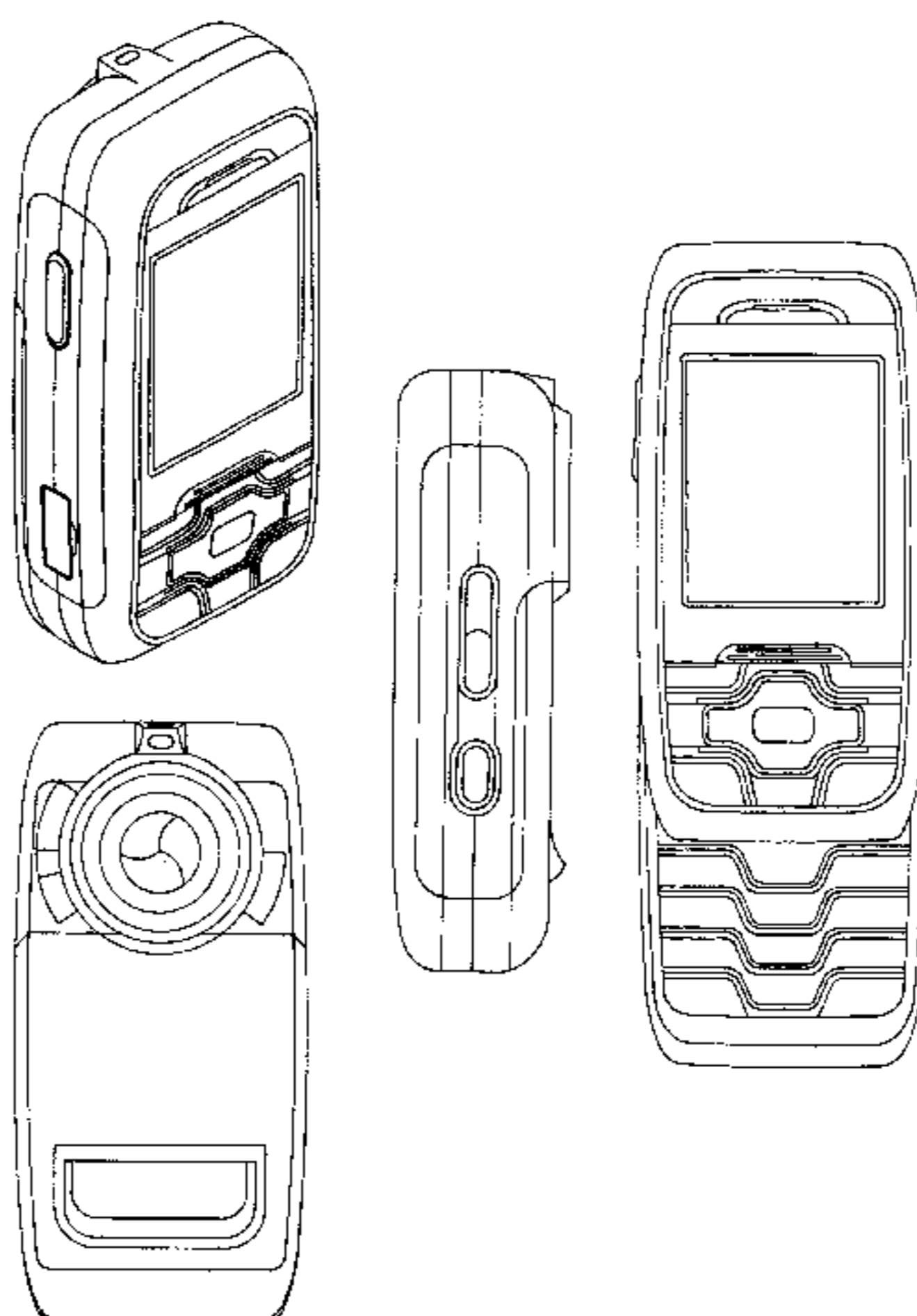
FIG. 5 is a right side elevational view of the ornamental design of the present invention;

FIG. 6 is a top plan view of the ornamental design of the present invention;

FIG. 7 is a bottom view of the ornamental design of the present invention; and,

FIG. 8 is a view of the cellular phone of the present invention in the open position.

1 Claim, 4 Drawing Sheets



OTHER PUBLICATIONS

Pantech PG-3600 telephone, announced fourth quarter 2005, [online], [retrieved on Feb. 15, 2006]. Retrieved from Internet, <URL:http://www.gsmarena.com>.*

Samsung Z320i telephone, announced fourth quarter 2005, [online], [retrieved on Feb. 14, 2006]. Retrieved from Internet, <URL:http://www.gsmarena.com>.*

Samsung D500 telephone, announced fourth quarter 2005, [online], [retrieved on Feb. 14, 2006]. Retrieved from Internet, <URL:http://www.gsmarena.com>.*

VK Mobile VK900 telephone, announced fourth quarter 2004, [online], [retrieved on Feb. 14, 2006]. Retrieved from Internet, <URL:http://www.gsmarena.com>.*

* cited by examiner

FIG. 1

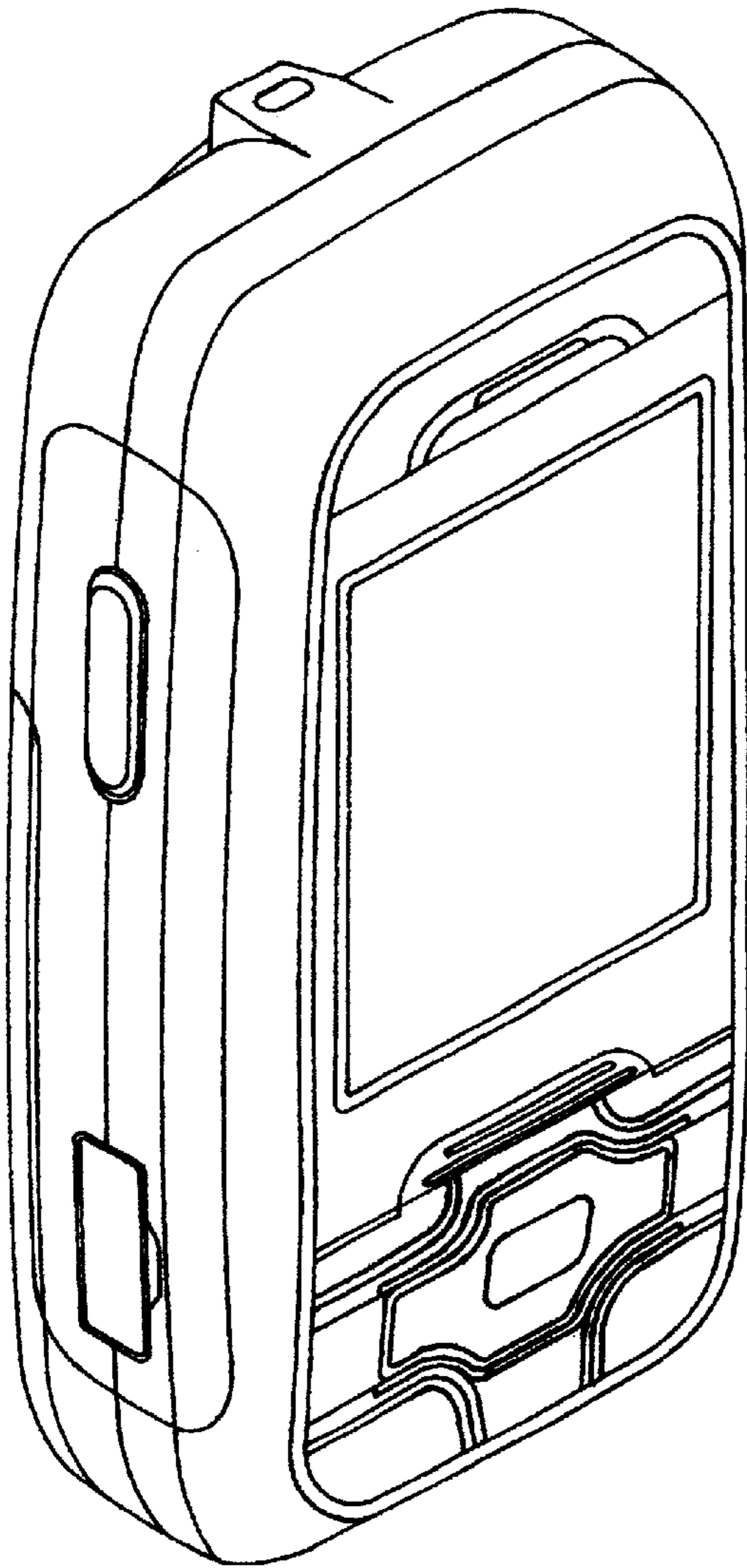


FIG. 2

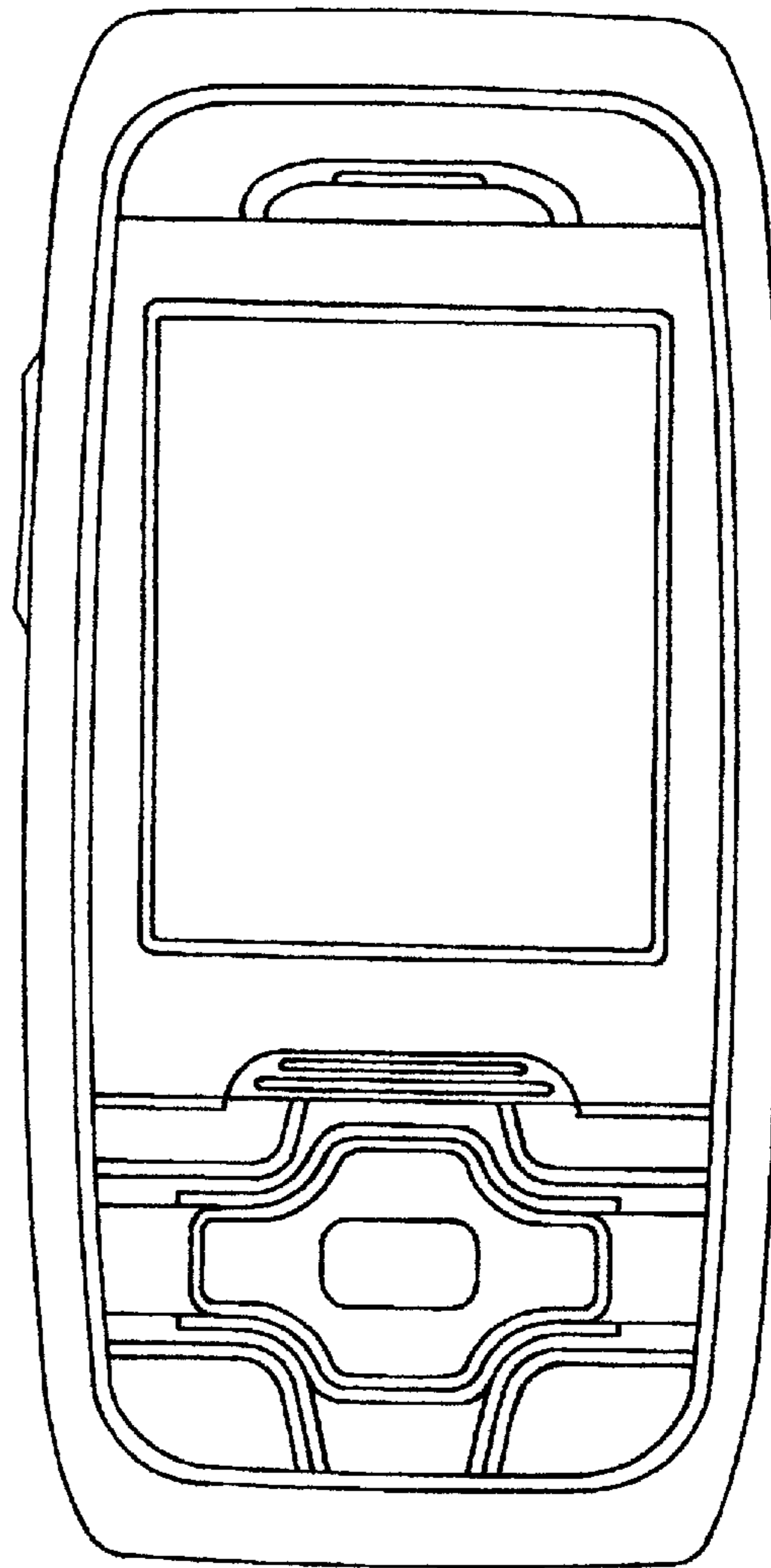


FIG. 3

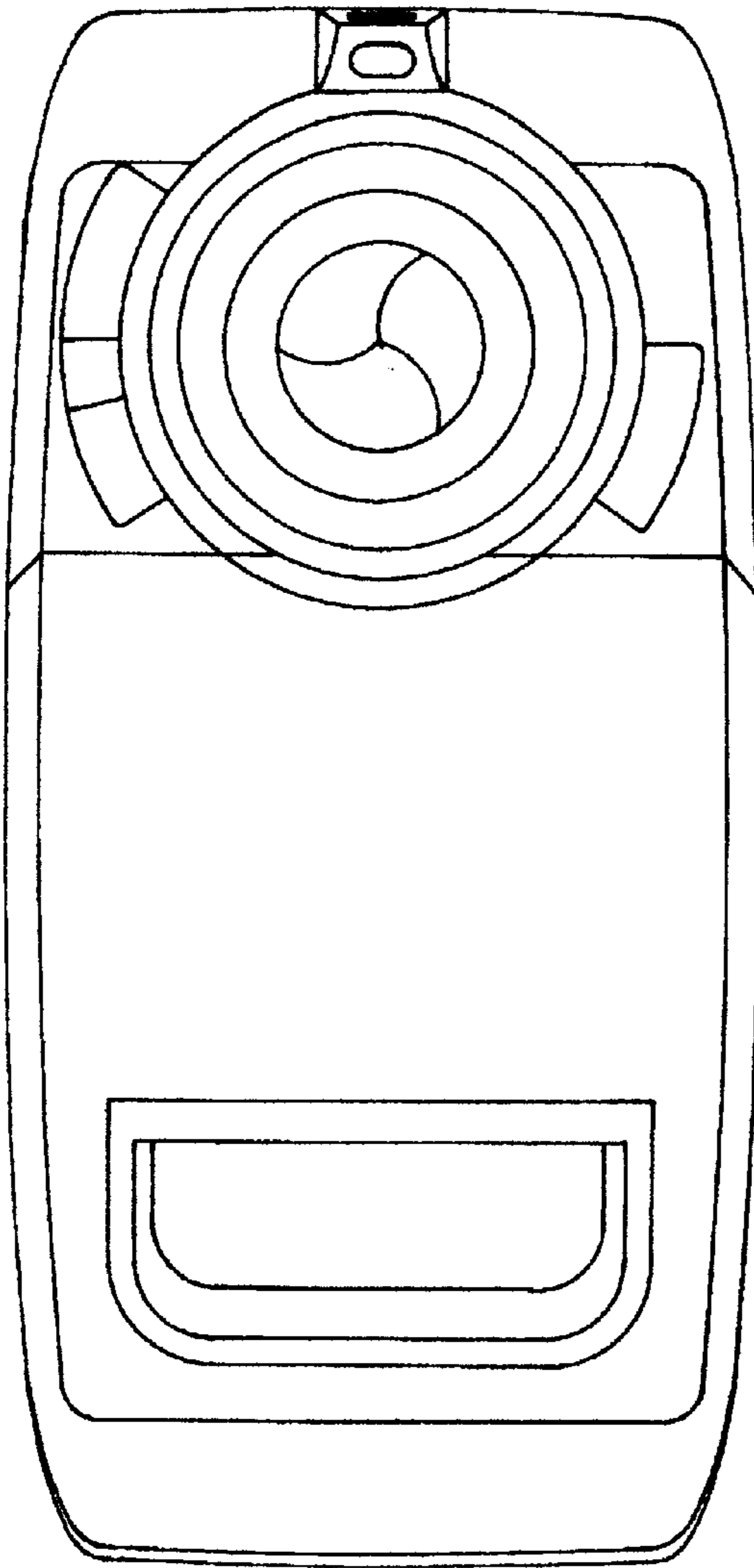


FIG. 4

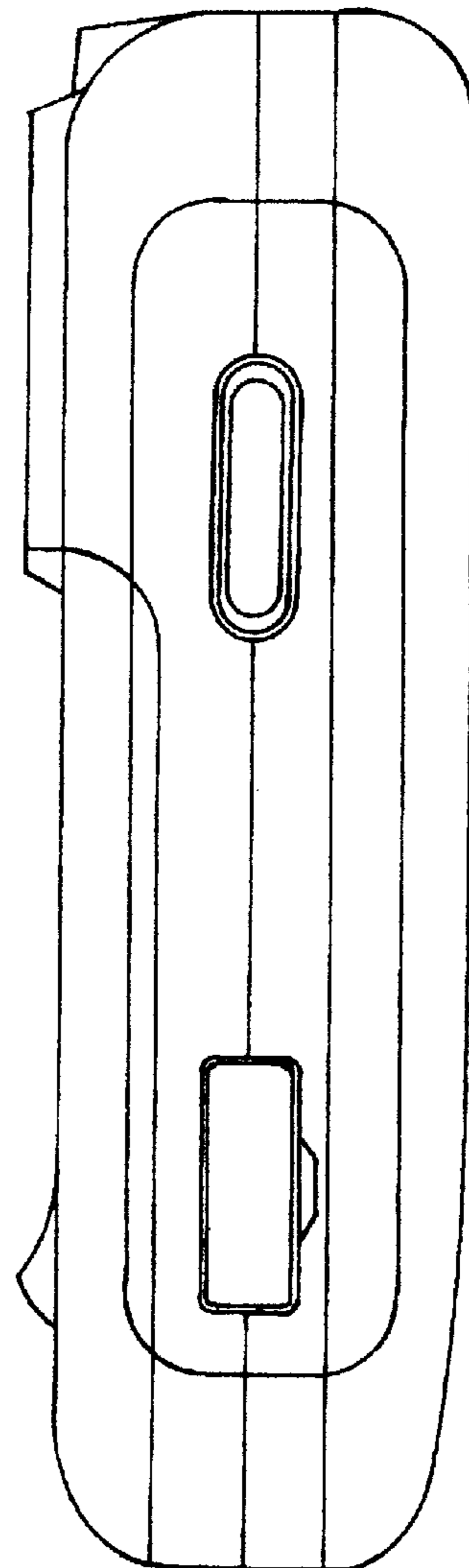


FIG. 5

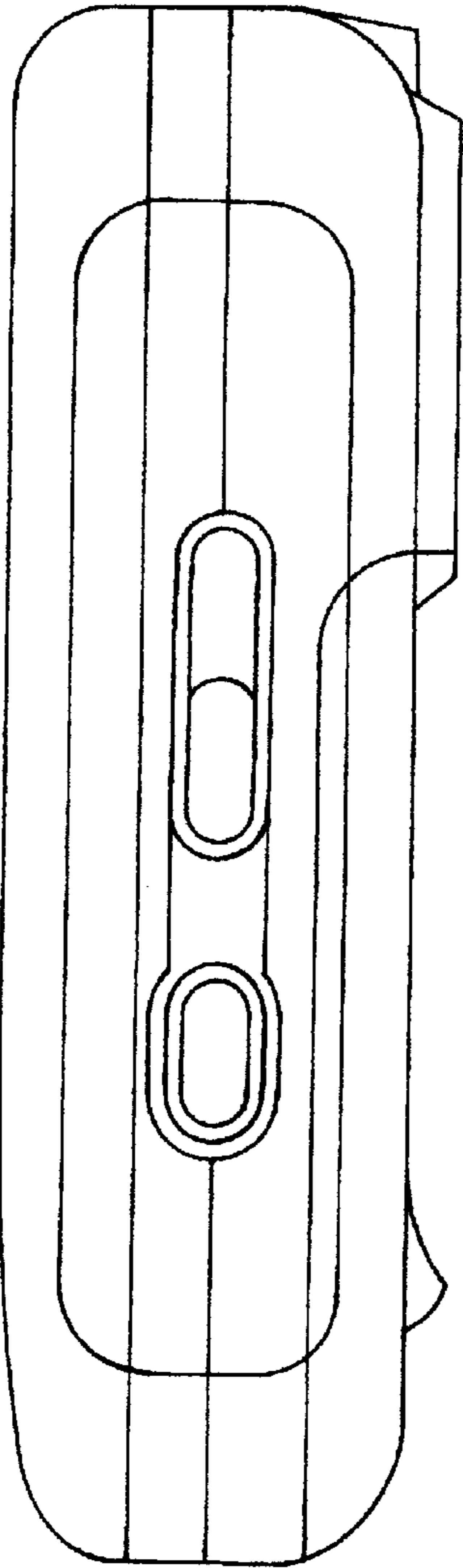


FIG. 6

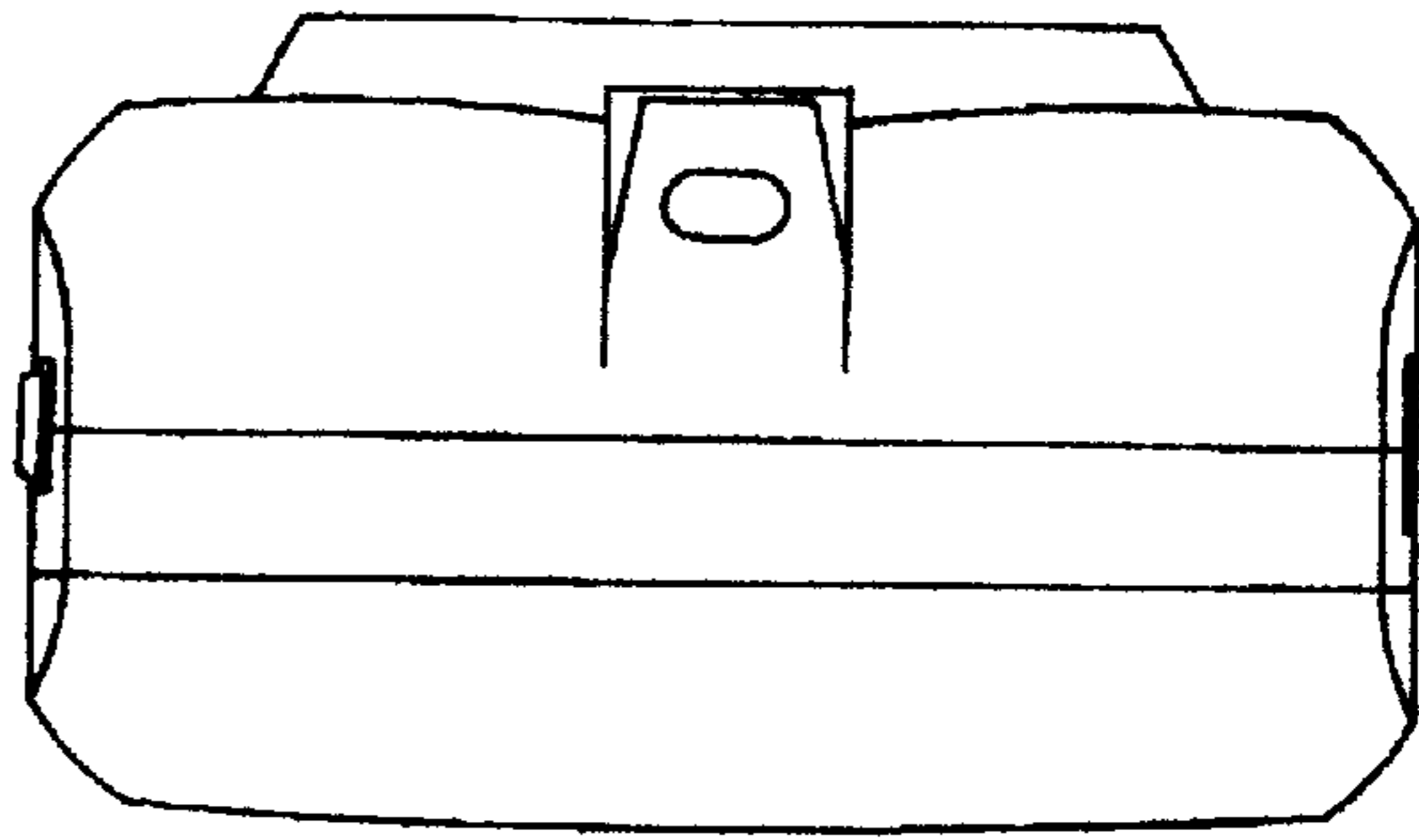


FIG. 7

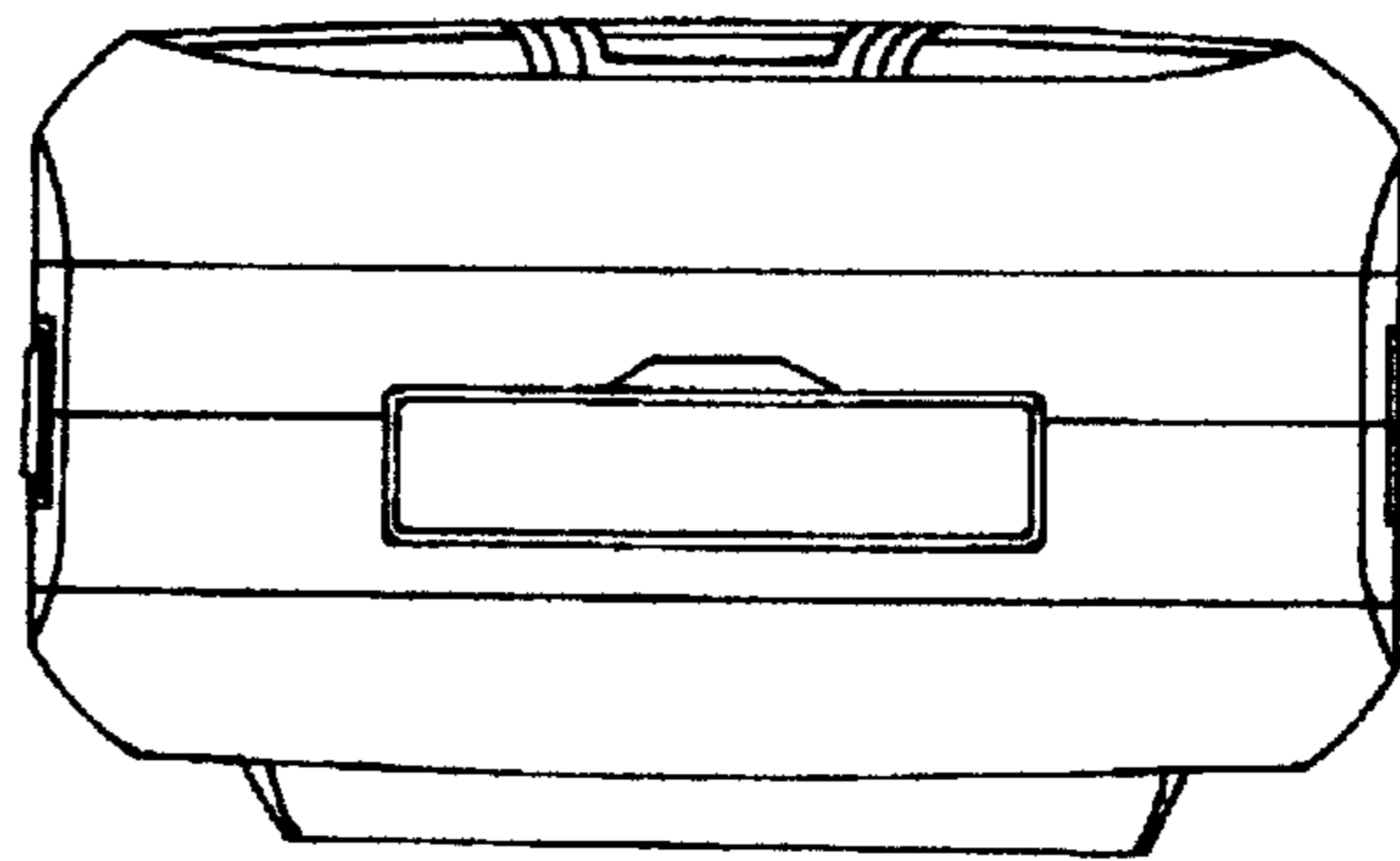


FIG. 8

