



US00D526983S

(12) **United States Design Patent**
Gong et al.

(10) **Patent No.:** **US D526,983 S**

(45) **Date of Patent:** **** Aug. 22, 2006**

(54) **PDA PHONE**

(75) Inventors: **Huei-Yun Gong**, Taipei (TW);
Hung-Chih Wang, Taipei (TW)

(73) Assignee: **Lite-On Technology Corporation**,
Taipei (TW)

(**) Term: **14 Years**

(21) Appl. No.: **29/221,656**

(22) Filed: **Jan. 21, 2005**

(30) **Foreign Application Priority Data**

Dec. 3, 2004 (TW) 93307336

(51) **LOC (8) Cl.** **14-03**

(52) **U.S. Cl.** **D14/138; D14/345**

(58) **Field of Classification Search** D14/137,
D14/138, 147-148, 247-248, 144, 341-347;
379/433.01-433.13; 455/575.4, 566, 575.1,
455/556.1, 556.2, 90.3; D16/208

See application file for complete search history.

(56) **References Cited**

U.S. PATENT DOCUMENTS

- 5,337,346 A * 8/1994 Uchikura 455/556.2
- D367,861 S * 3/1996 Scheid et al. D14/191
- 5,584,054 A * 12/1996 Tyneski et al. 455/566
- 5,646,649 A * 7/1997 Iwata et al. 345/173
- D385,875 S * 11/1997 Harris et al. D14/138
- D428,414 S * 7/2000 Okumura D14/345
- D439,897 S * 4/2001 Williams et al. D14/345
- D447,740 S * 9/2001 Johansson D14/138
- 6,297,945 B1 * 10/2001 Yamamoto 361/681
- 6,483,445 B1 * 11/2002 England 341/22
- 6,535,749 B1 * 3/2003 Iwata et al. 455/556.2
- D477,596 S * 7/2003 Hayes D14/343
- D478,882 S * 8/2003 Peng et al. D14/138
- D484,503 S * 12/2003 Duarte et al. D14/346
- D496,642 S * 9/2004 Harries et al. D14/138

- D498,735 S * 11/2004 Chen et al. D14/138
- 6,850,226 B1 * 2/2005 Finke-Anlauff 345/169
- D506,753 S * 6/2005 Duarte et al. D14/346
- D509,493 S * 9/2005 Winebrenner et al. D14/138
- D513,740 S * 1/2006 Park et al. D14/138
- D514,078 S * 1/2006 Rookard D14/138
- 2003/0125094 A1 * 7/2003 Hyun et al. 455/566
- 2005/0054397 A1 * 3/2005 Kim et al. 455/575.4
- 2005/0090298 A1 * 4/2005 Park et al. 455/575.4
- 2005/0107119 A1 * 5/2005 Lee et al. 455/556.1
- 2005/0245296 A1 * 11/2005 Hong et al. 455/575.3

OTHER PUBLICATIONS

i-mate JASJAR telephone, announced Aug. 2005, [online],
[retrieved on Mar. 26, 2006]. Retrieved from Internet ,URL:
<http://www.gsmarena.com>>.*

Qtek 9000 telephone, announced Aug. 2005, [online], [re-
trieved on Mar. 26, 2006]. Retrieved from Internet ,URL:
<http://www.gsmarena.com>>.*

* cited by examiner

Primary Examiner—Jeffrey Asch

(74) *Attorney, Agent, or Firm*—Rabin & Berdo, P.C.

(57) **CLAIM**

The ornamental design for a “PDA phone,” as shown and
described.

DESCRIPTION

FIG. 1 is a perspective view of PDA phone showing our new
design;

FIG. 2 is a front view thereof;

FIG. 3 is a rear view thereof;

FIG. 4 is a left side elevational view thereof;

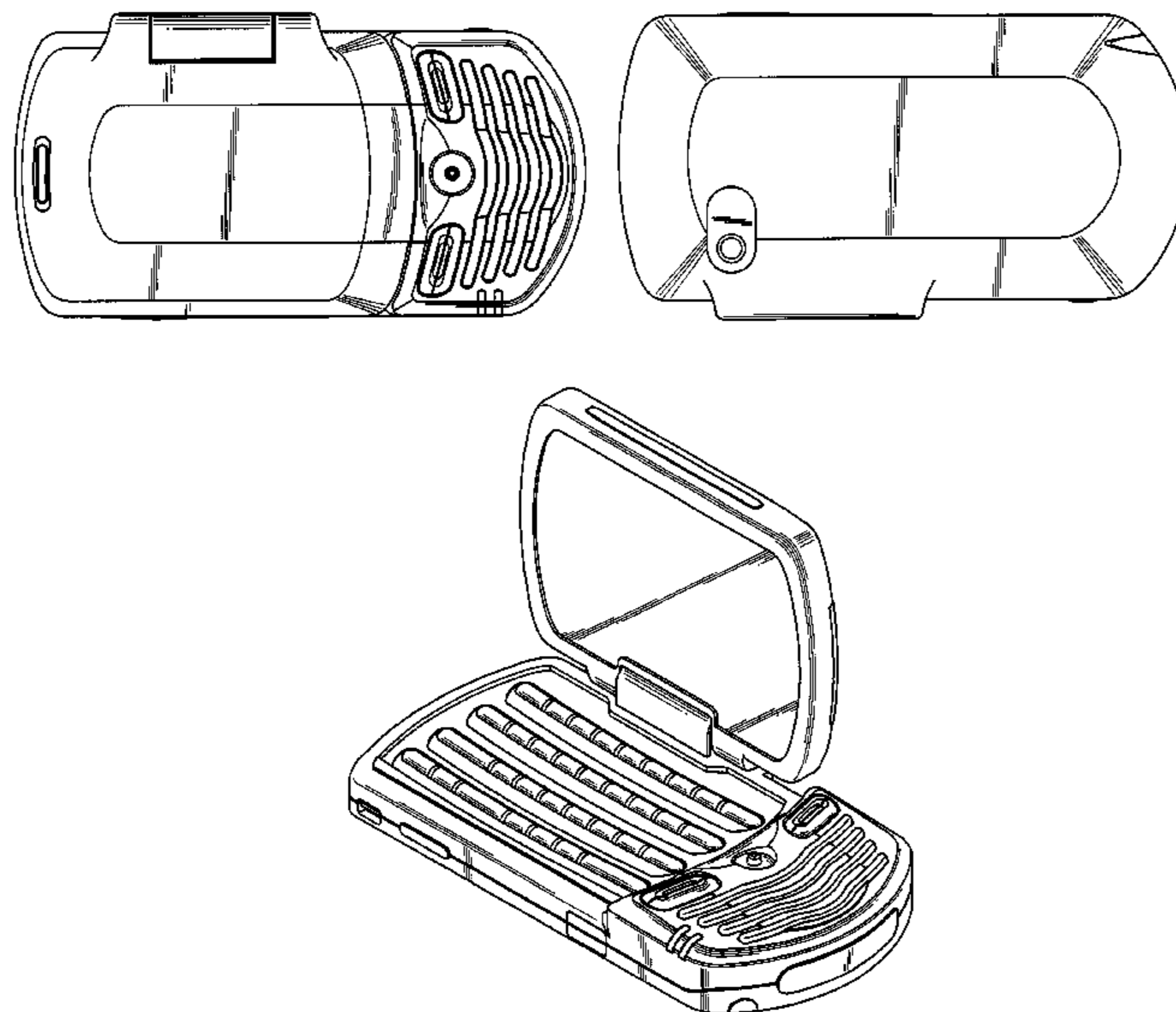
FIG. 5 is a right side elevational view thereof;

FIG. 6 is a top view thereof;

FIG. 7 is a bottom view thereof; and,

FIG. 8 is another perspective view of PDA phone showing
our new design.

1 Claim, 5 Drawing Sheets



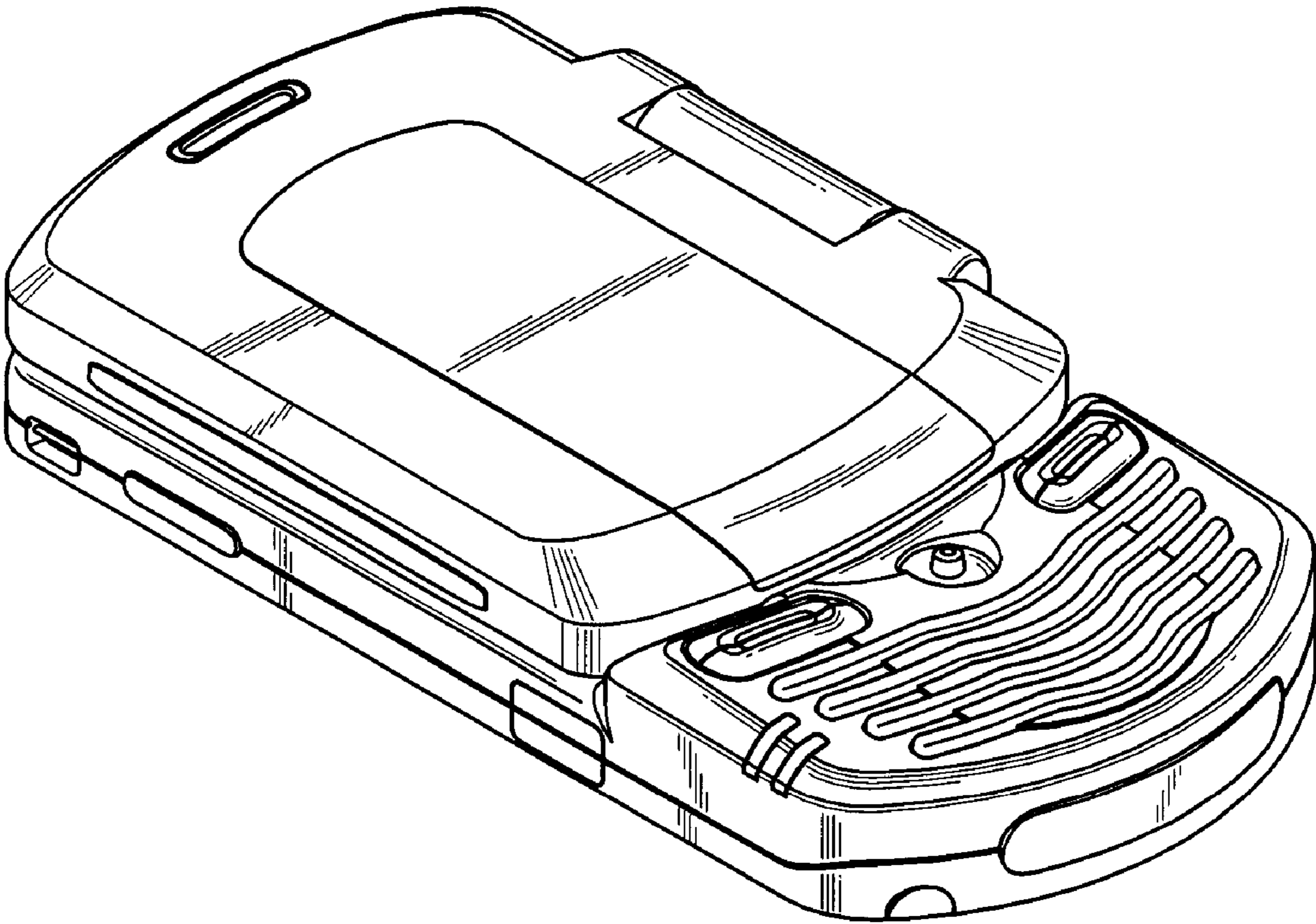


FIG.1

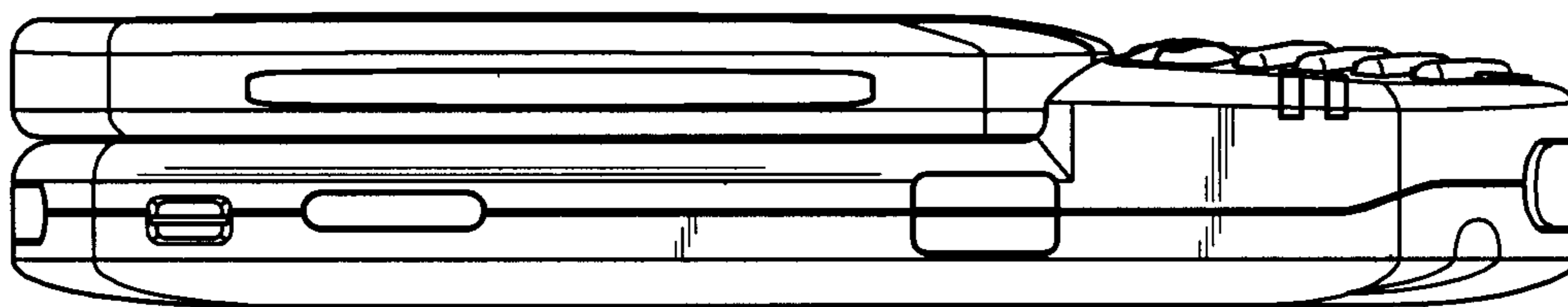


FIG. 2

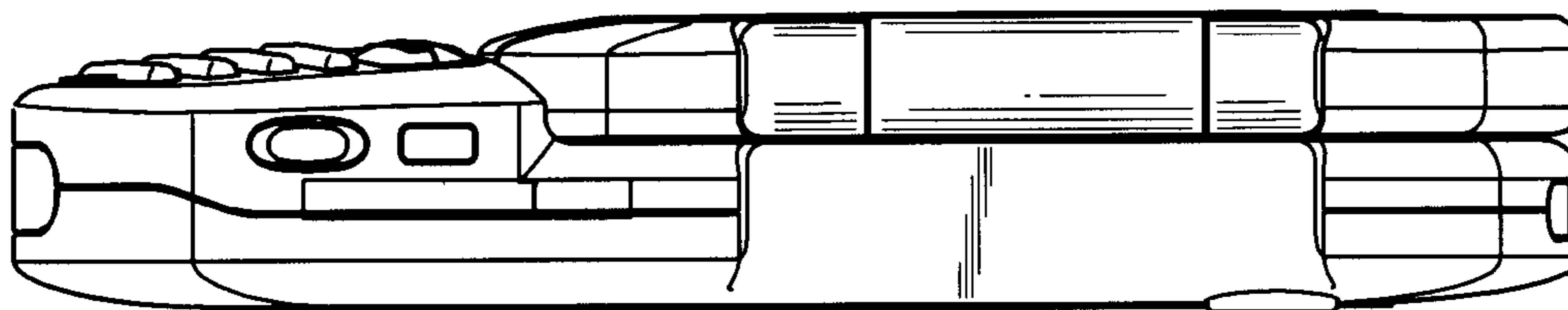


FIG. 3

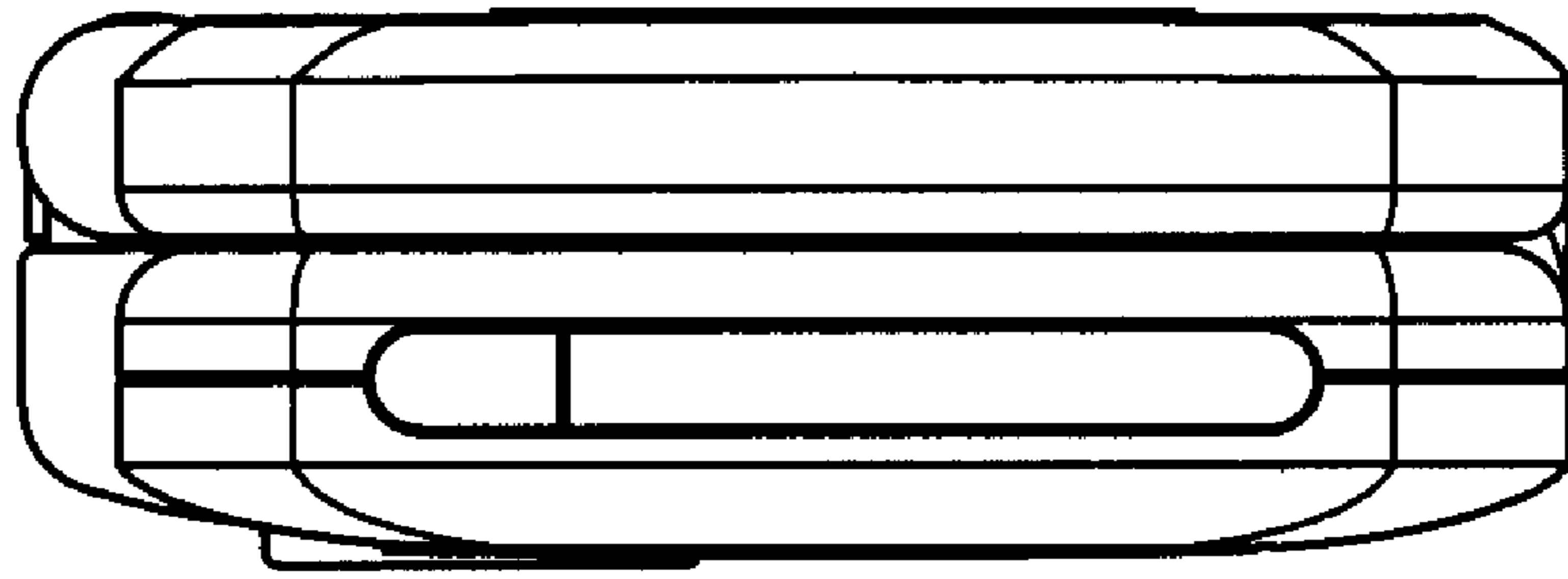


FIG. 4

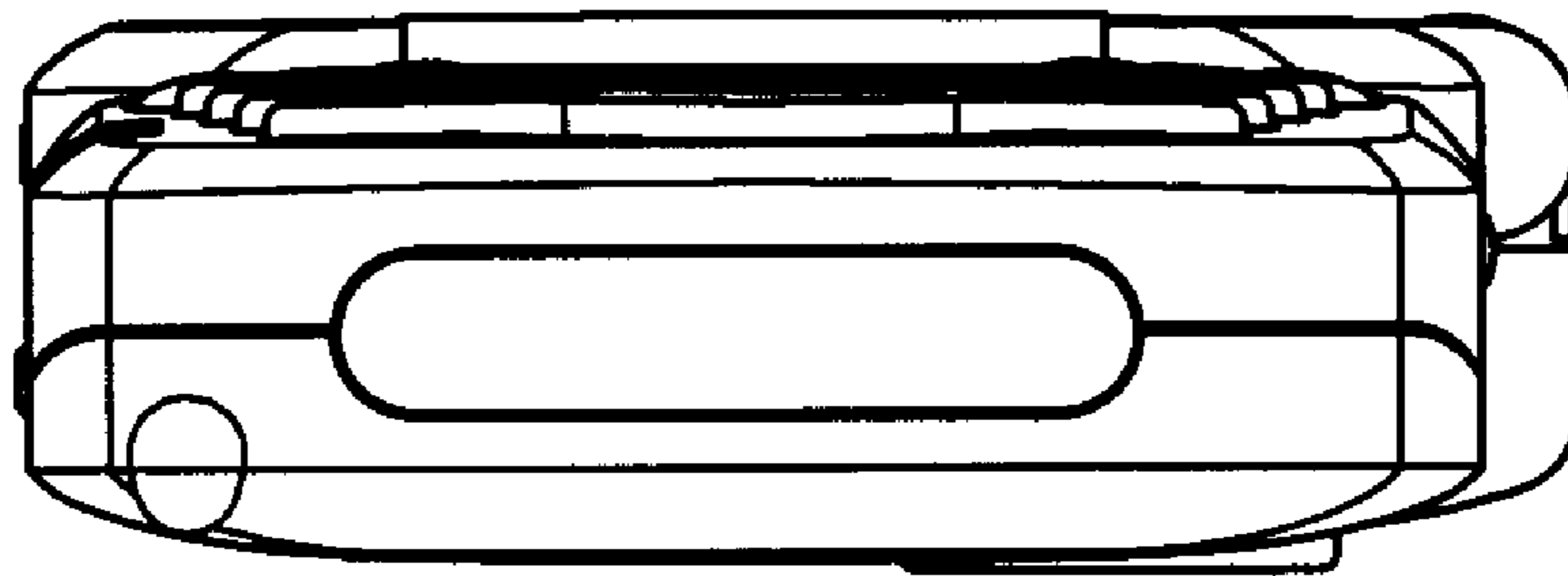


FIG. 5

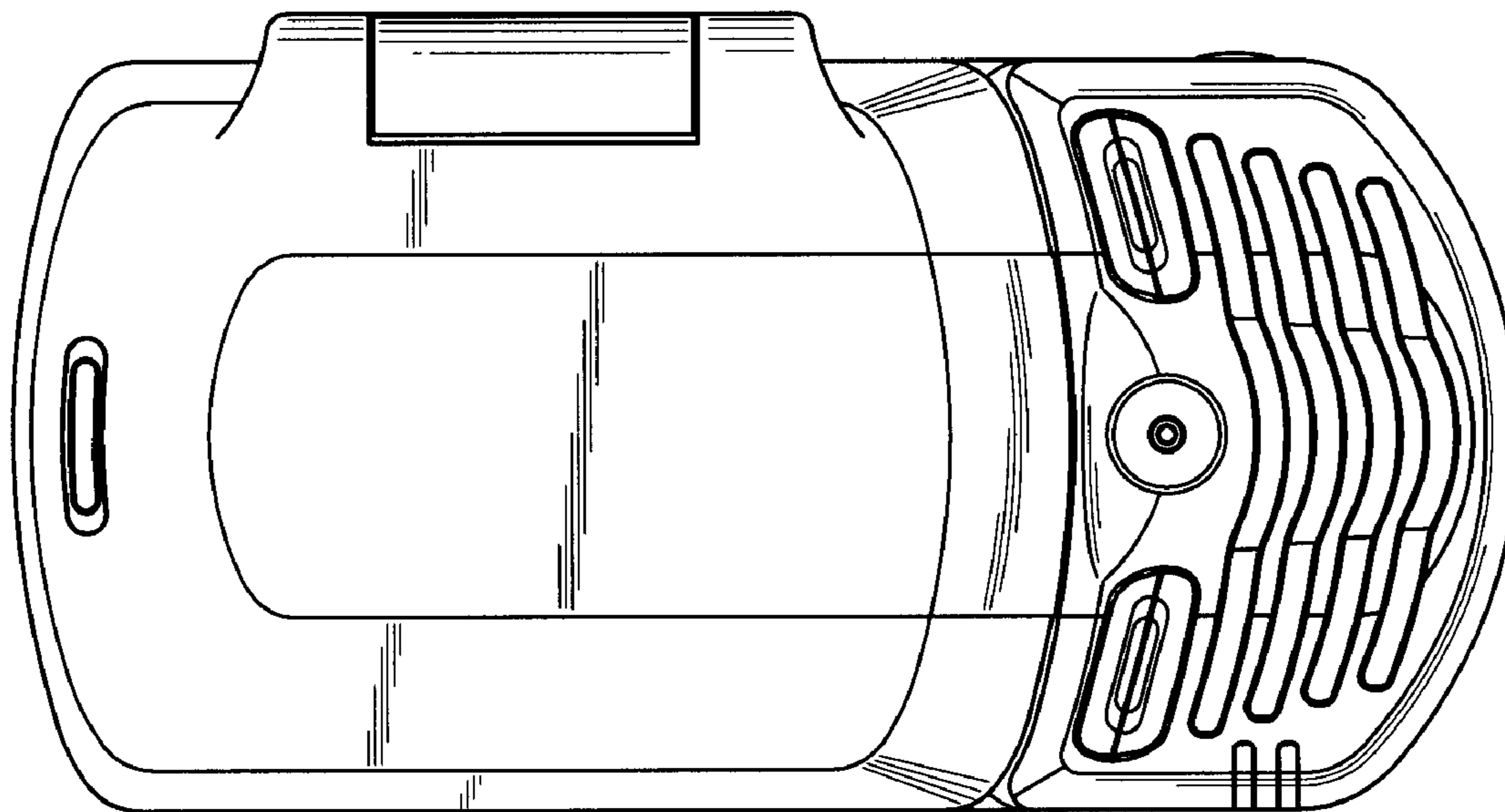


FIG. 6

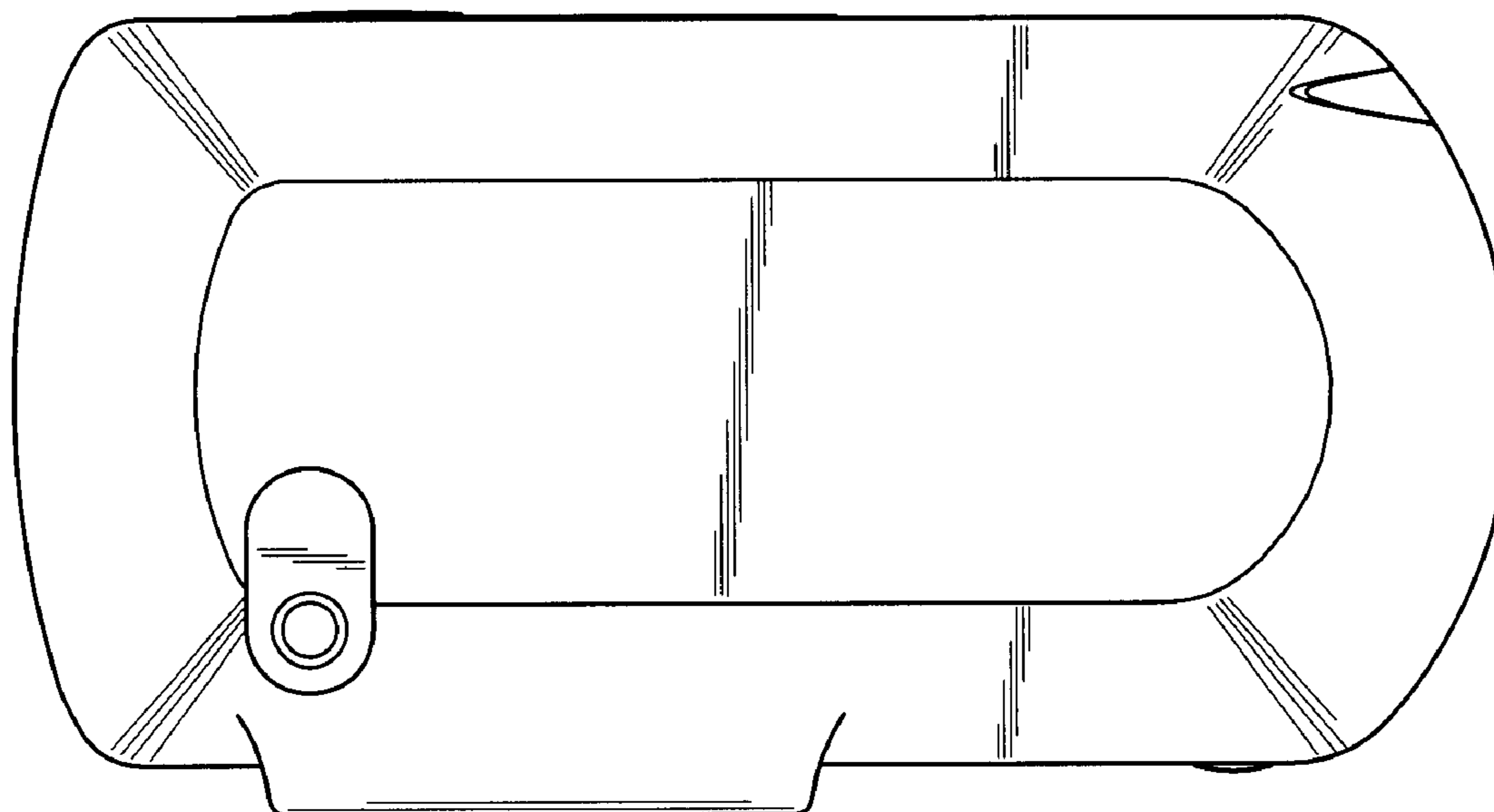


FIG. 7



FIG.8