

US00D526974S

(12) **United States Design Patent**
Reza et al.

(10) **Patent No.:** **US D526,974 S**

(45) **Date of Patent:** **** Aug. 22, 2006**

(54) **TELEVISION SET**

(75) Inventors: **Ana Reza**, Sunnyvale, CA (US); **John Brock**, Sunnyvale, CA (US)

(73) Assignee: **Hannspree, Inc.**, Taipei (TW)

(**) Term: **14 Years**

(21) Appl. No.: **29/230,631**

(22) Filed: **May 25, 2005**

(30) **Foreign Application Priority Data**

Dec. 15, 2004 (TW) 93307722

(51) **LOC (8) Cl.** **14-03**

(52) **U.S. Cl.** **D14/126; D14/129; D14/134**

(58) **Field of Classification Search** D14/125-134,
D14/239, 371, 136, 374-377; 312/7.2; 348/836,
348/838, 180, 184, 325, 739; 341/12; 248/917-924,
248/465; 345/104, 133, 156, 168, 87, 173;
720/605, 669, 600, 655; 369/99, 197; 455/344-347
See application file for complete search history.

(56) **References Cited**

U.S. PATENT DOCUMENTS

- D356,078 S * 3/1995 Usui et al. D14/126
- D376,588 S * 12/1996 Shinano D14/374
- D396,222 S * 7/1998 Morgan et al. D14/374
- D405,781 S * 2/1999 Renk D14/126
- 6,052,279 A * 4/2000 Friend et al. 361/686
- 6,388,877 B1 * 5/2002 Canova et al. 312/223.2
- D462,074 S * 8/2002 Kim D14/375
- D470,140 S * 2/2003 Lin D14/375

- D480,083 S * 9/2003 Borsboom et al. D14/371
- D491,902 S * 6/2004 Chen D14/126
- D498,235 S * 11/2004 Chen et al. D14/375
- D506,733 S * 6/2005 Boyer, Jr. D14/126

OTHER PUBLICATIONS

Whit Oak Pharmacy, p. 62, Aug. 2003.*
Mobile Planet, cover, 2003.*

* cited by examiner

Primary Examiner—Raphael Barkai

(74) *Attorney, Agent, or Firm*—Bacon & Thomas

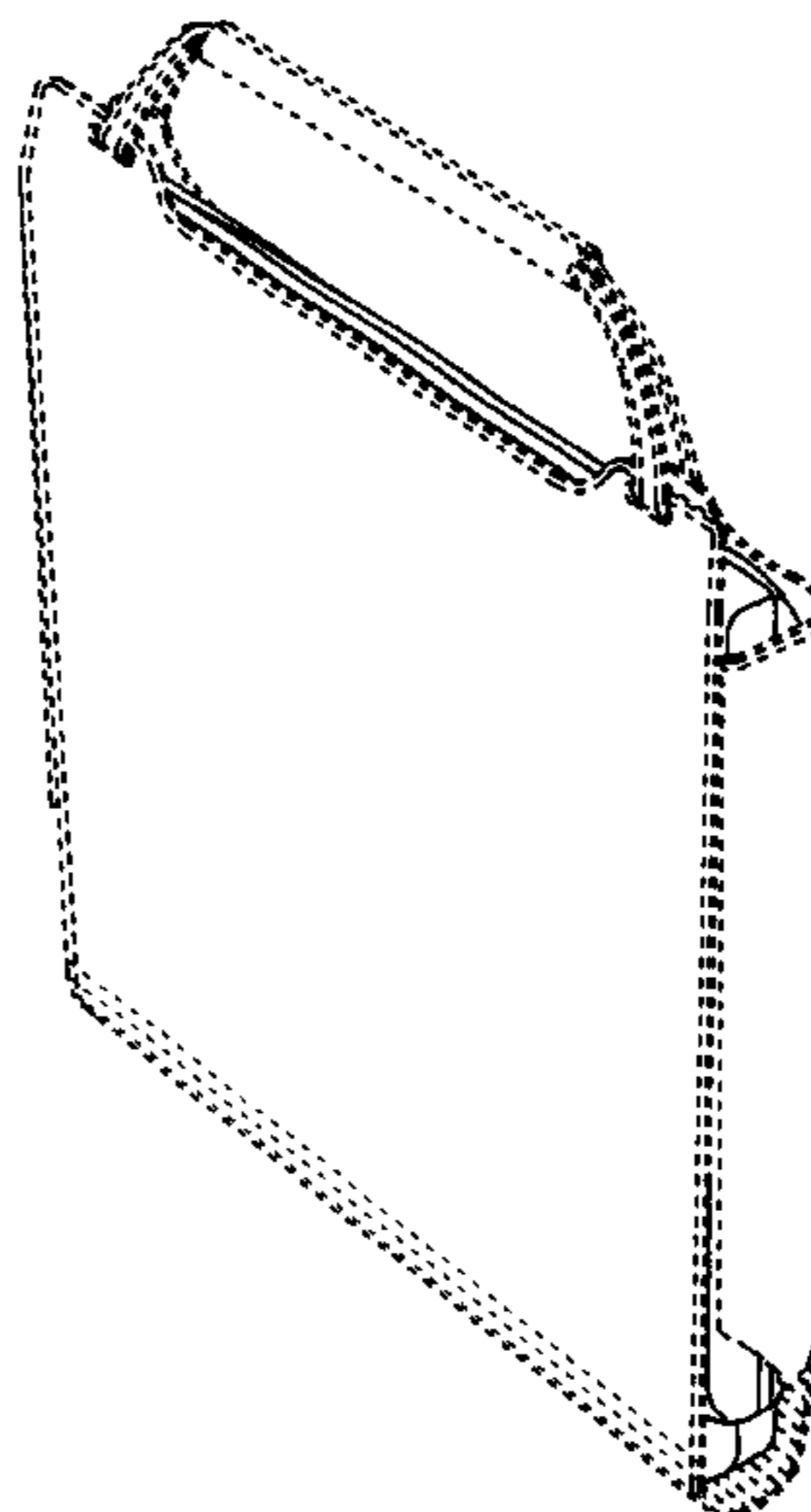
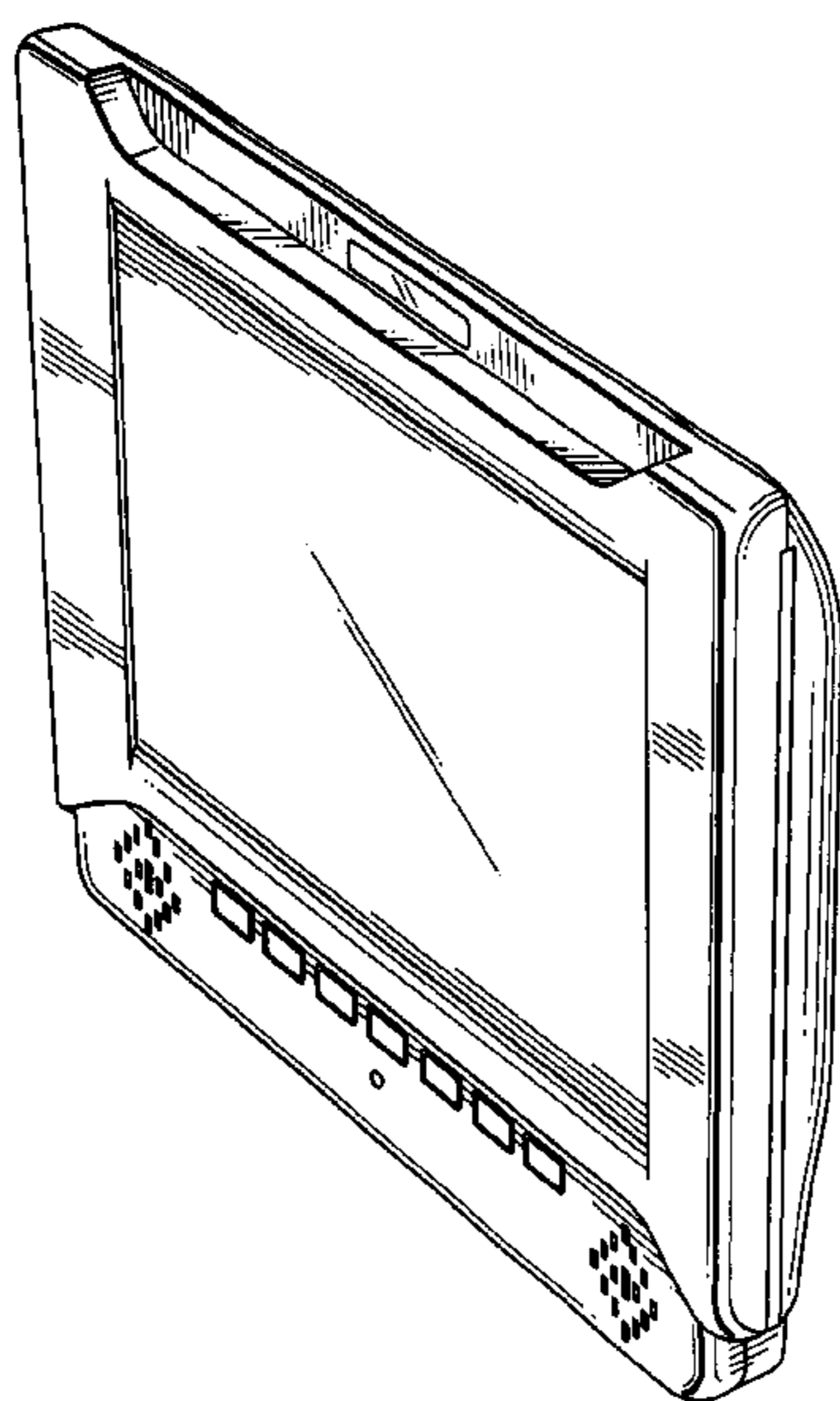
(57) **CLAIM**

The ornamental design for a television set, as shown and described.

DESCRIPTION

FIG. 1 is a perspective view of a television set showing our new design;
FIG. 2 is a front view thereof;
FIG. 3 is a rear view thereof;
FIG. 4 is a left side view thereof;
FIG. 5 is a right side view thereof;
FIG. 6 is a top plan view thereof;
FIG. 7 is a bottom plan view thereof;
FIG. 8 is a perspective view of the television set illustrating its application with a handbag; and,
FIG. 9 is another perspective view of the television set illustrating its application with a handbag.
The broken lines shown in FIGS. 8 and 9 are for illustrative purposes only and form no part of the claimed design.

1 Claim, 5 Drawing Sheets



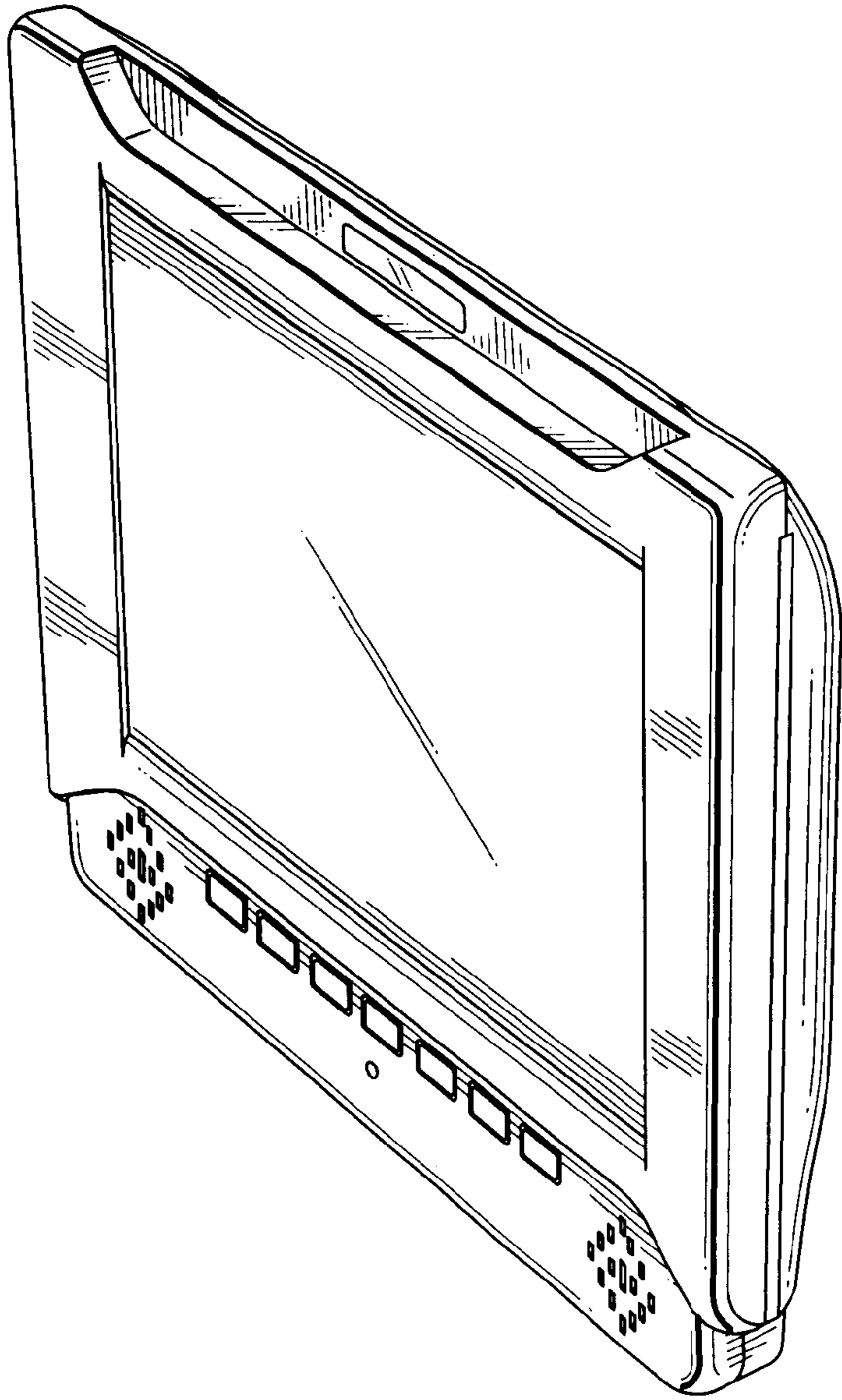


FIG. 1

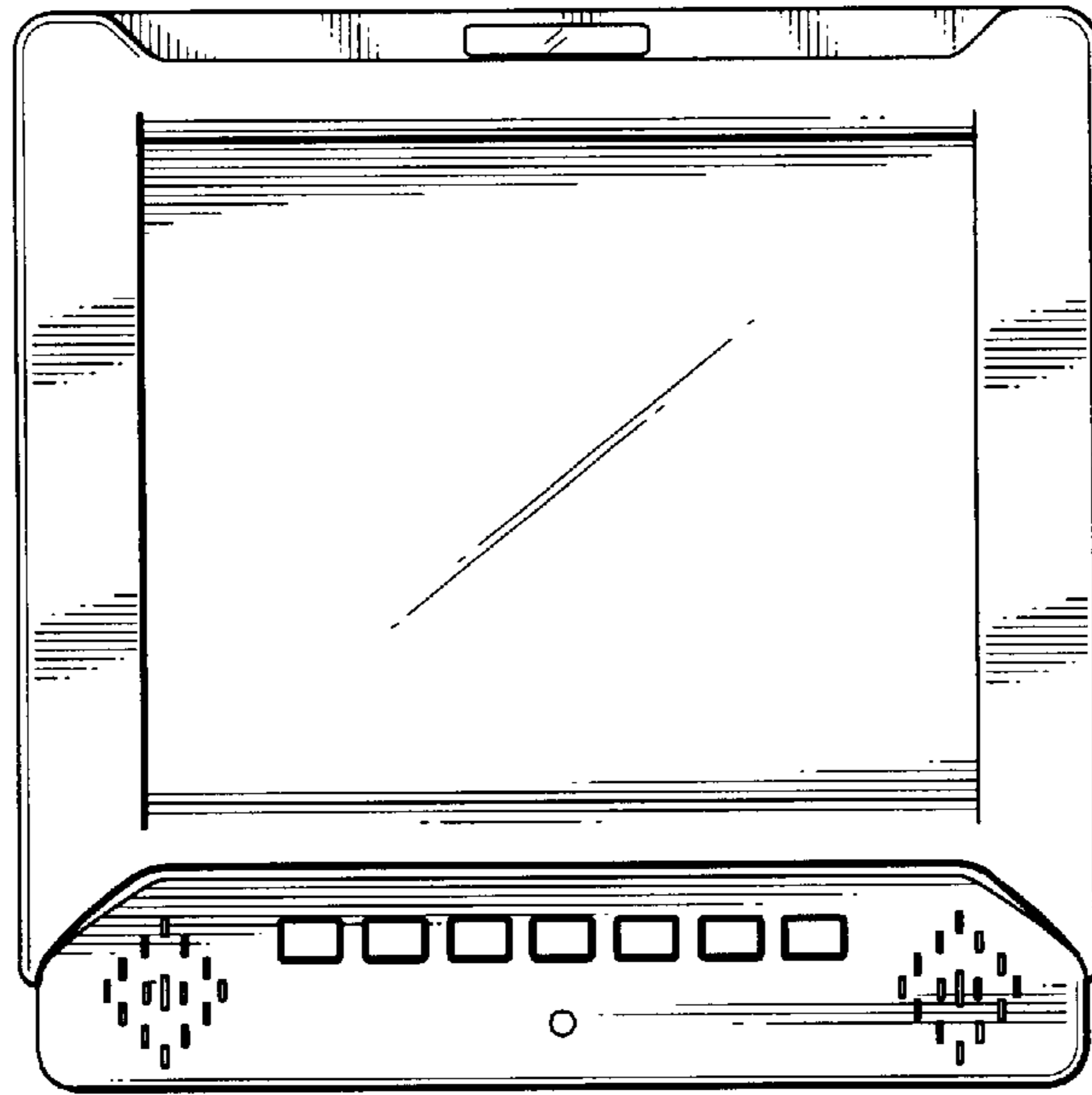


FIG. 2

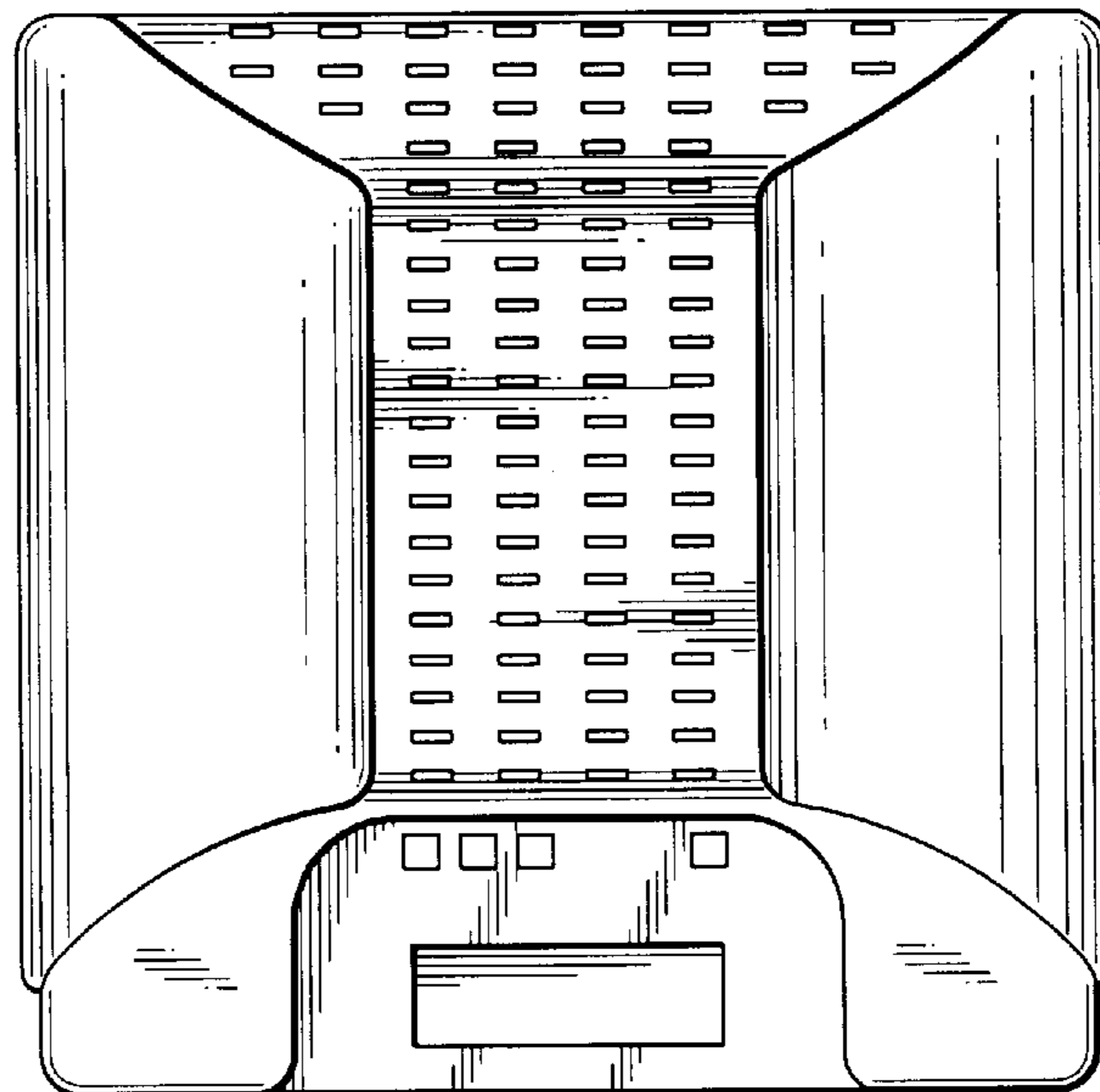


FIG. 3

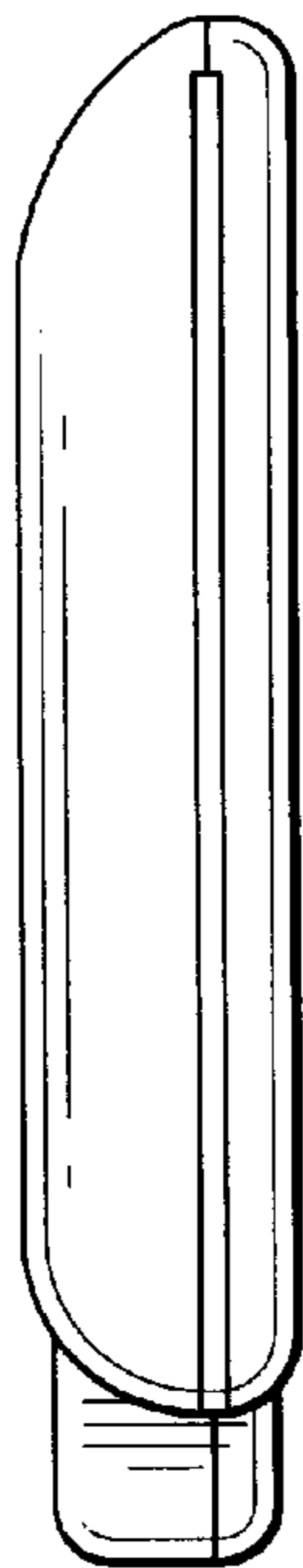


FIG. 4

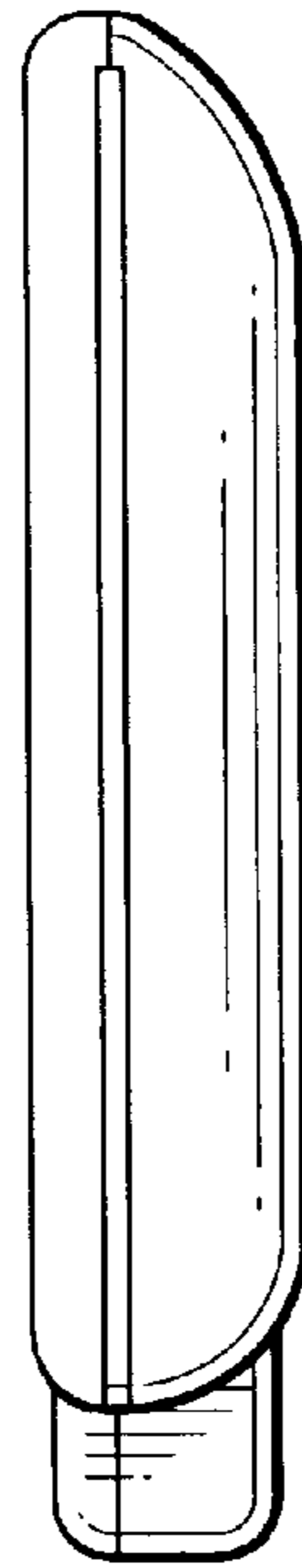


FIG. 5

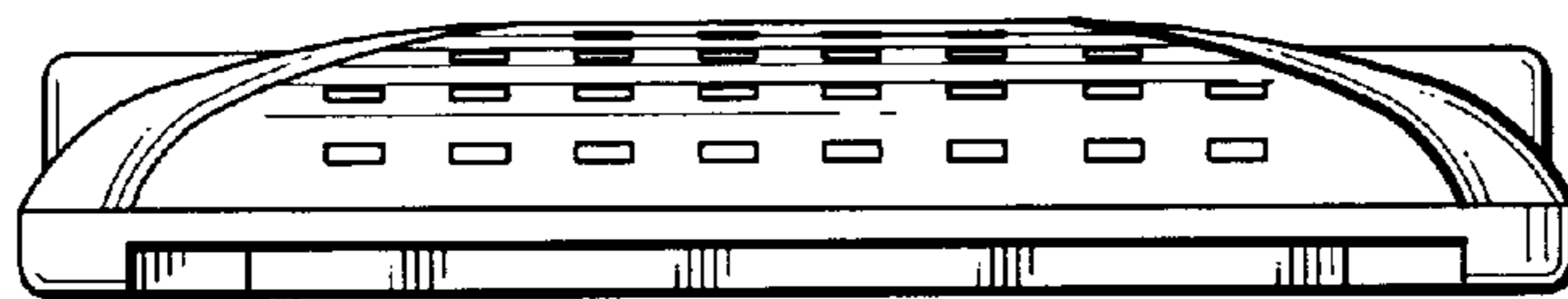


FIG. 6

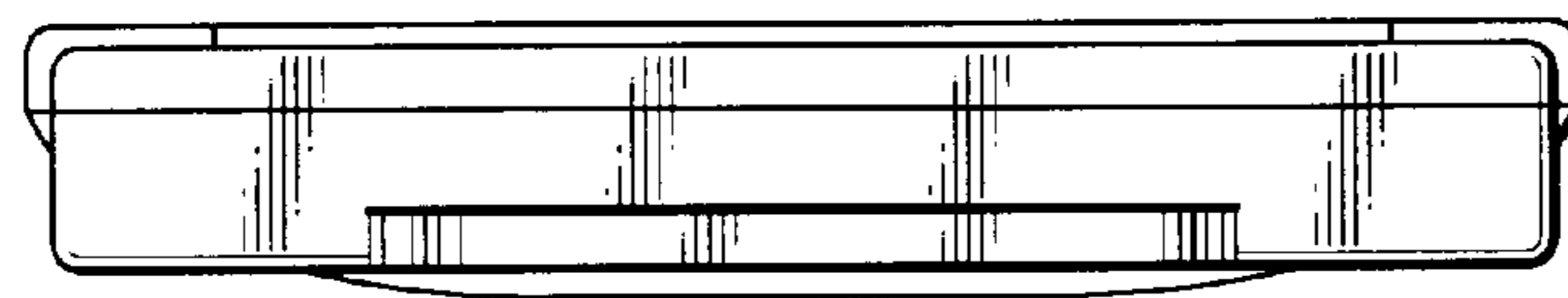


FIG. 7

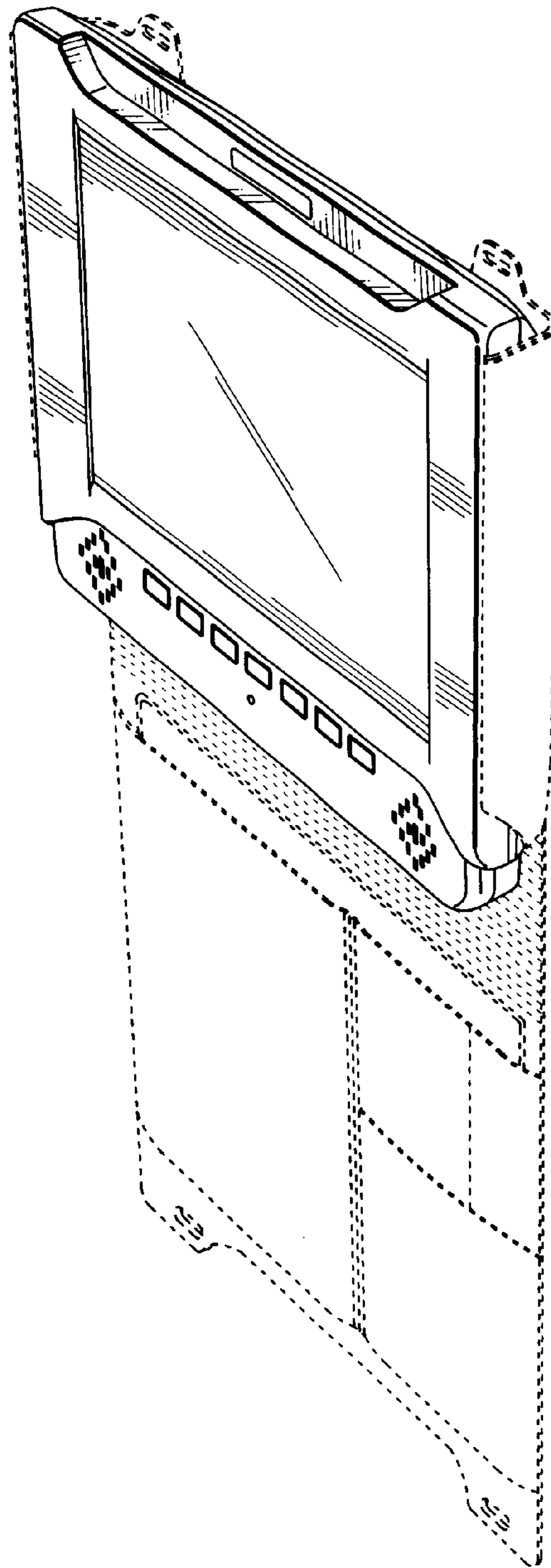


FIG. 8

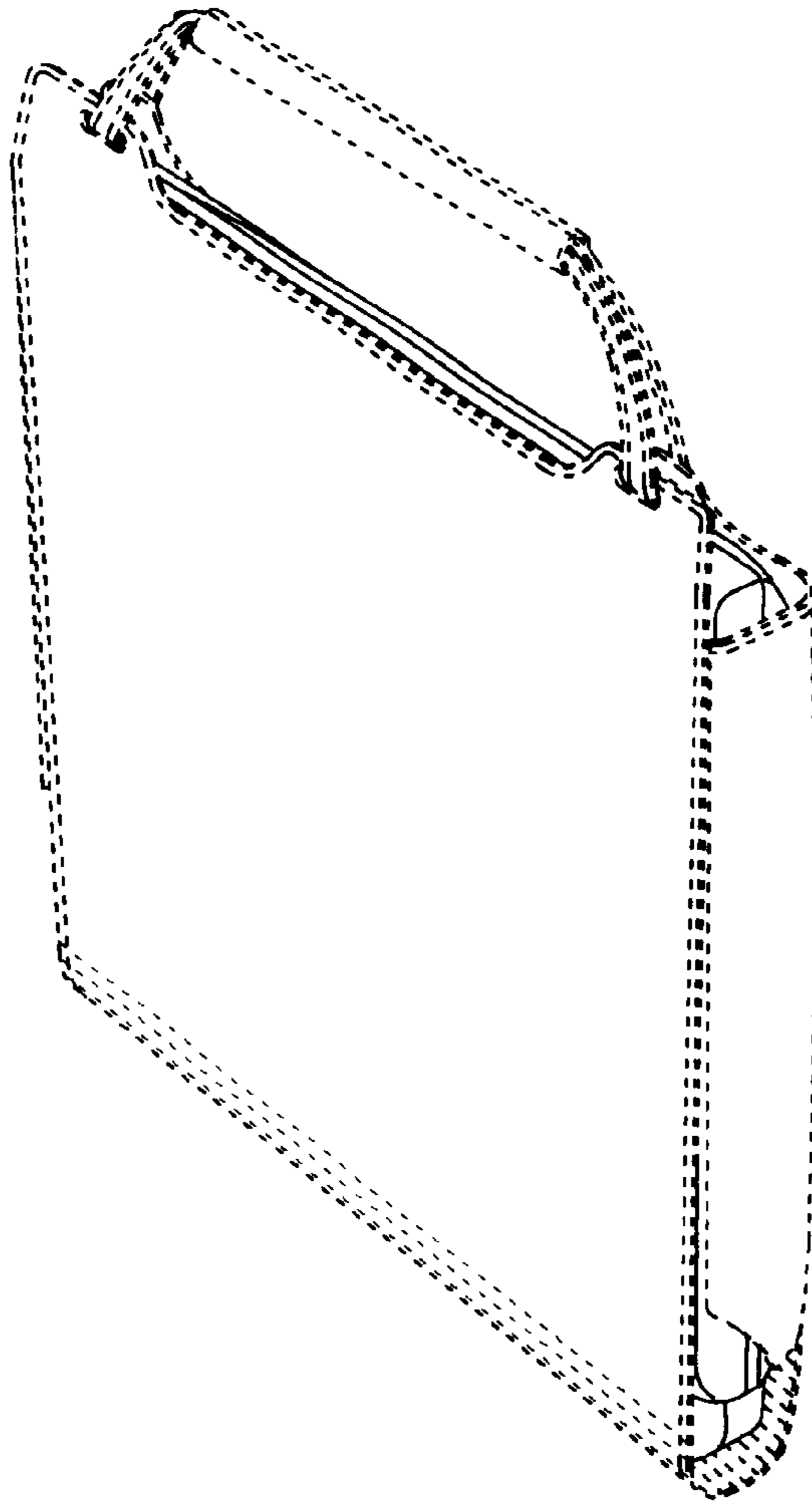


FIG. 9