



US00D526973S

(12) **United States Design Patent**  
**Gates et al.**

(10) **Patent No.:** **US D526,973 S**

(45) **Date of Patent:** **\*\* Aug. 22, 2006**

(54) **ELECTRONIC DEVICE HOUSING**

(75) Inventors: **Dirk Ion Gates**, Westlake Village, CA (US); **Ian Andrew Laity**, San Diego, CA (US)

(73) Assignee: **Xirrus, Inc.**, Westlake Village, CA (US)

(\*\*) Term: **14 Years**

(21) Appl. No.: **29/217,531**

(22) Filed: **Nov. 17, 2004**

(51) **LOC (8) Cl.** ..... **13-03**

(52) **U.S. Cl.** ..... **D13/184; D3/168**

(58) **Field of Classification Search** ..... D13/158, D13/168, 184; D10/104, 106; D14/358, 137, D14/149, 218, 240; D21/324; 174/48, 50, 174/52.1, 58; 340/825.72; 341/176; 343/770; 370/328, 329, 334, 338; 455/426.1, 426.2, 455/561, 562.1, 575.1

See application file for complete search history.

(56) **References Cited**

**U.S. PATENT DOCUMENTS**

D274,048 S *	5/1984	Wong et al.	.....	D10/106
D371,793 S *	7/1996	Patton	.....	D14/218
D460,491 S *	7/2002	Meyer et al.	.....	D21/324
6,522,303 B1 *	2/2003	West et al.	.....	343/770
6,661,669 B1 *	12/2003	Cho	.....	361/752
D496,004 S *	9/2004	Borsboom	.....	D13/168
6,967,625 B1 *	11/2005	Honda	.....	343/771

2003/0122698 A1 *	7/2003	Horie et al.	.....	341/176
2004/0021611 A1 *	2/2004	Iida et al.	.....	343/770
2004/0160928 A1 *	8/2004	Perlman	.....	370/338
2005/0245254 A1 *	11/2005	Hall	.....	455/426.1

\* cited by examiner

*Primary Examiner*—Selina Sikder

(74) *Attorney, Agent, or Firm*—The Eclipse Group LLP

(57) **CLAIM**

The ornamental design for an electronic device housing, as shown.

**DESCRIPTION**

FIG. 1 is a perspective view of the front side of the electronic device housing.

FIG. 2 is a perspective view of the rear side of the electronic device housing.

FIG. 3 is a plan view of the front of the electronic device housing.

FIG. 4 is a plan view of the rear of the electronic device housing.

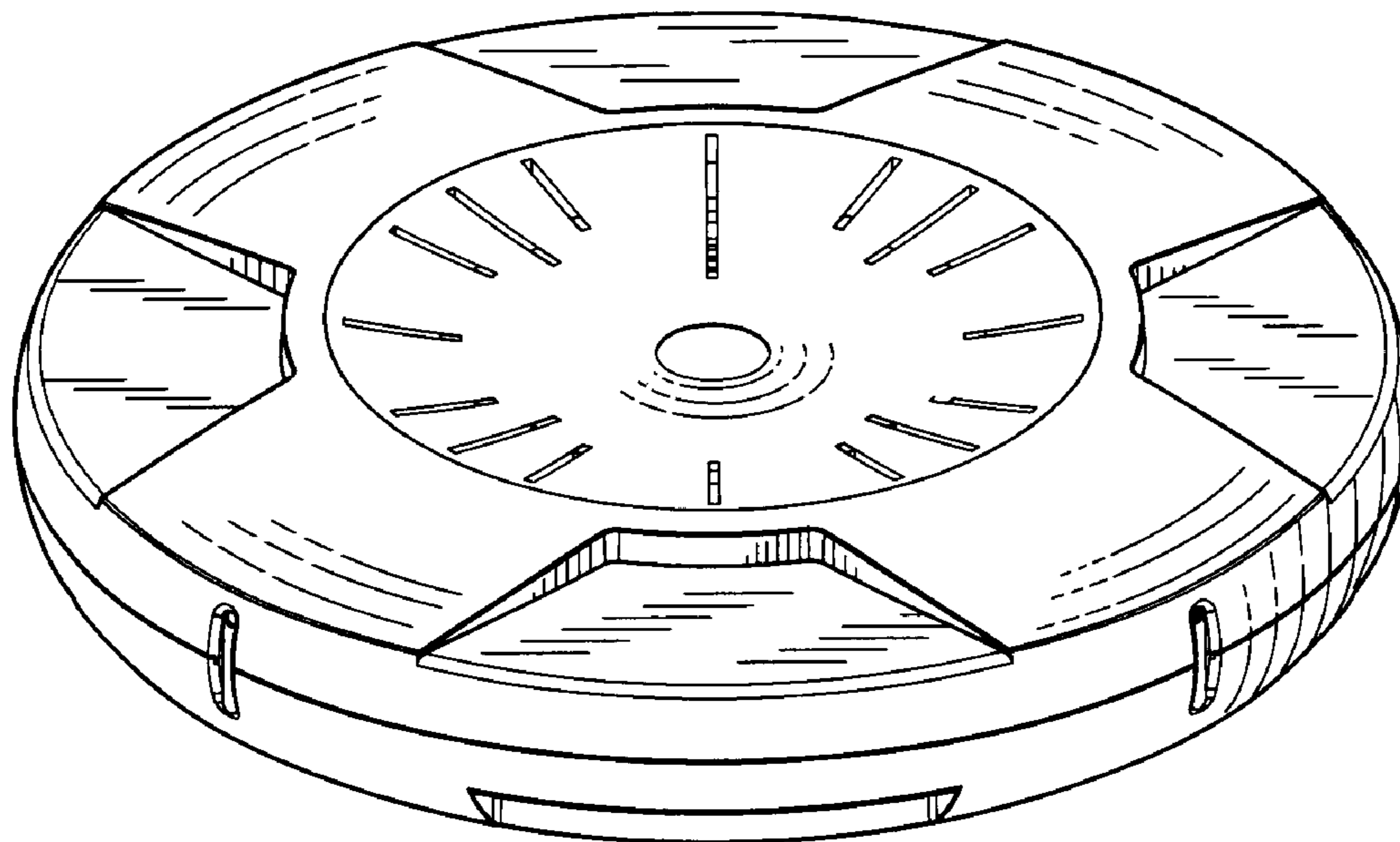
FIG. 5 is a side view of the electronic device housing illustrated with front side positioned upward.

FIG. 6 is a side view of the electronic device housing illustrated with the rear side positioned upward.

FIG. 7 is a side view the electronic device housing illustrated positioned on its side; and,

FIG. 8 is a side view of the opposing side of the electronic device housing illustrated in FIG. 7.

**1 Claim, 4 Drawing Sheets**



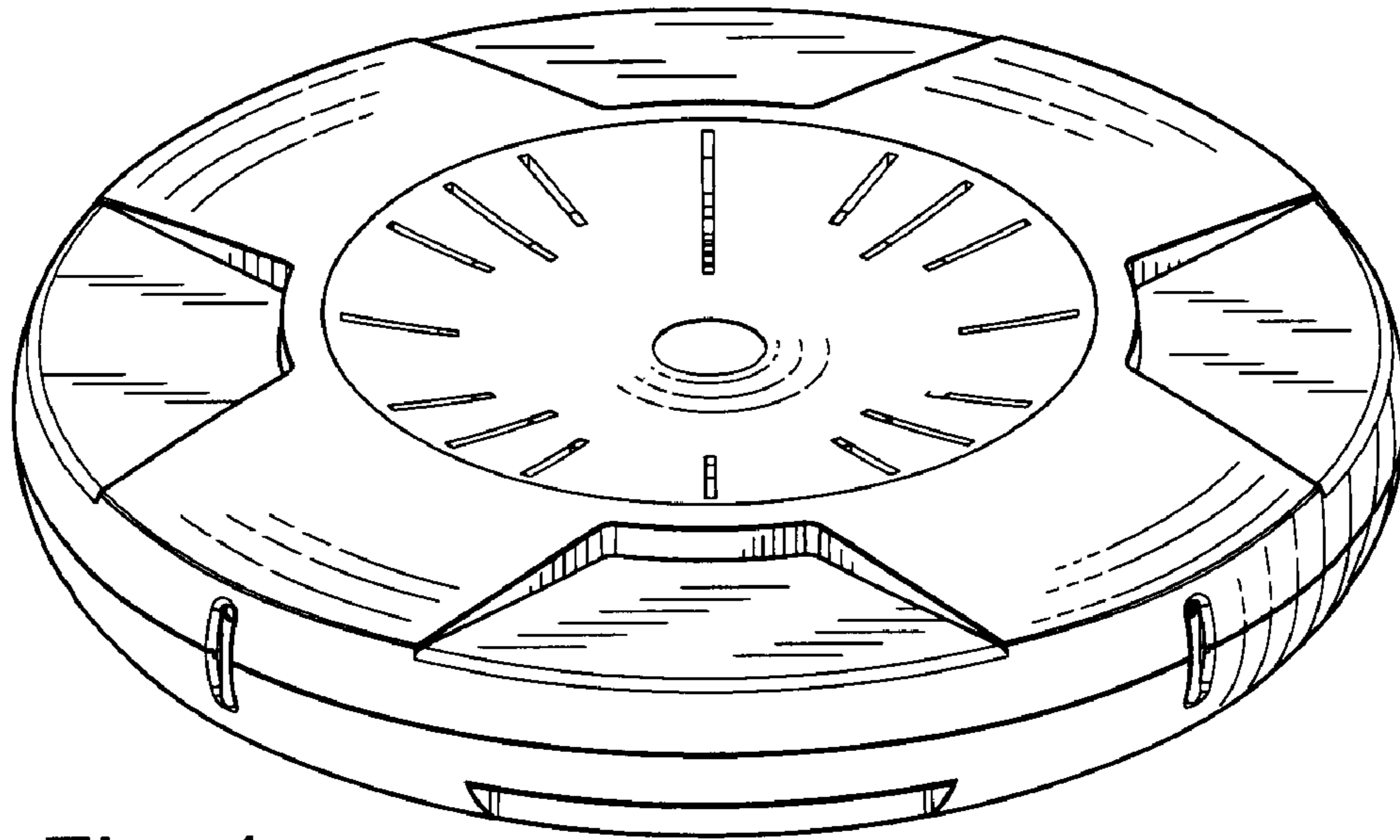


Fig. 1

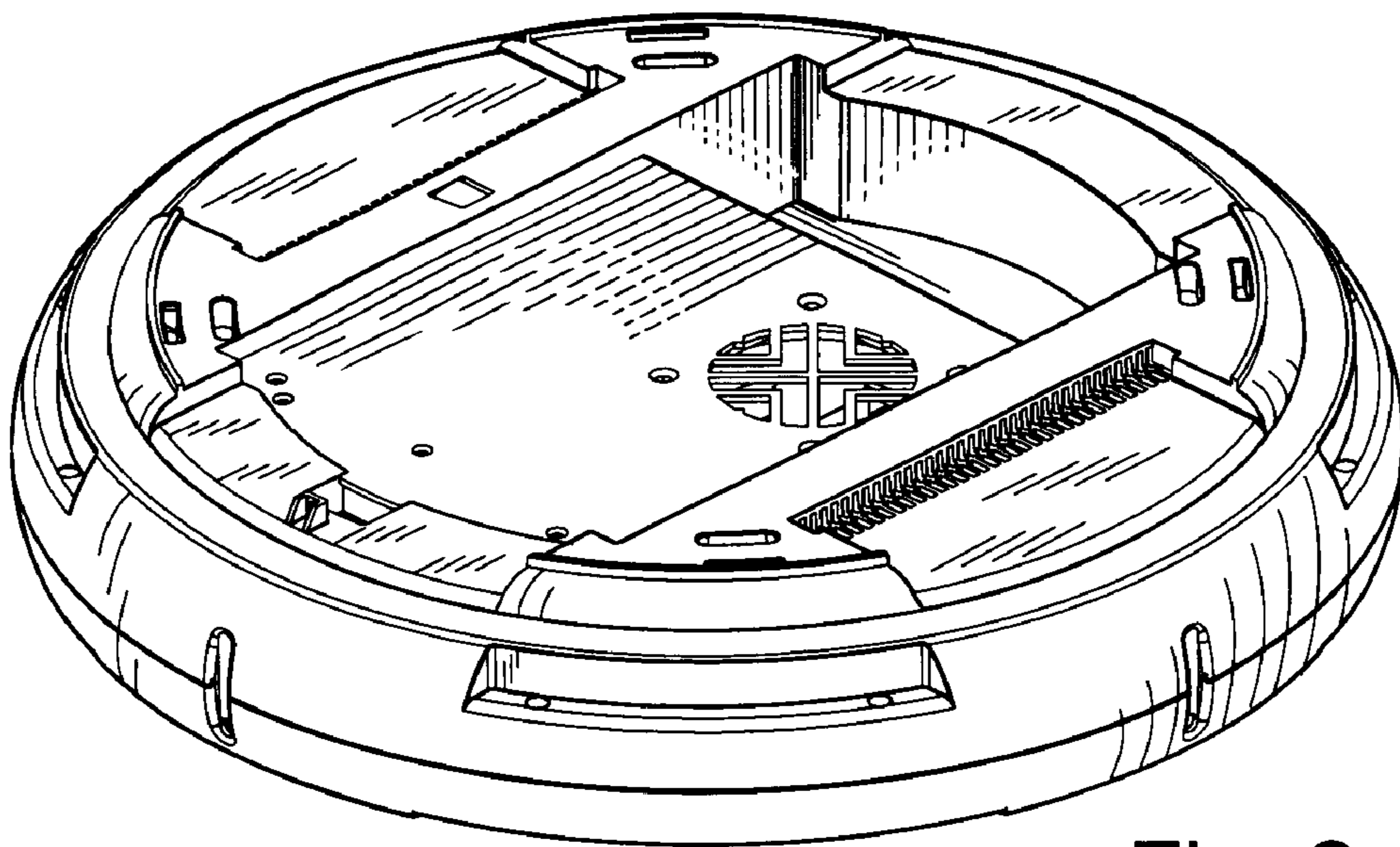


Fig. 2

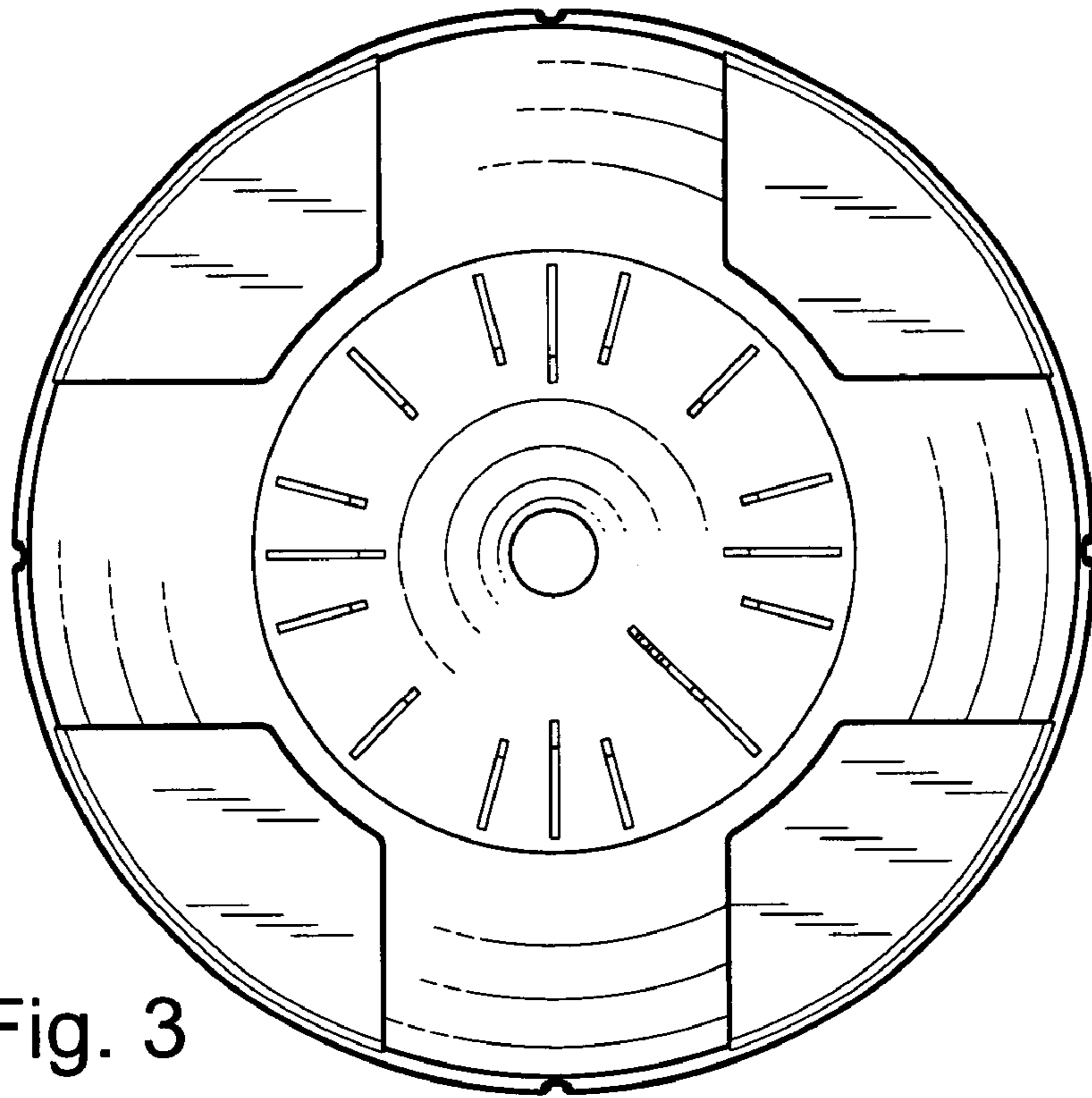


Fig. 3

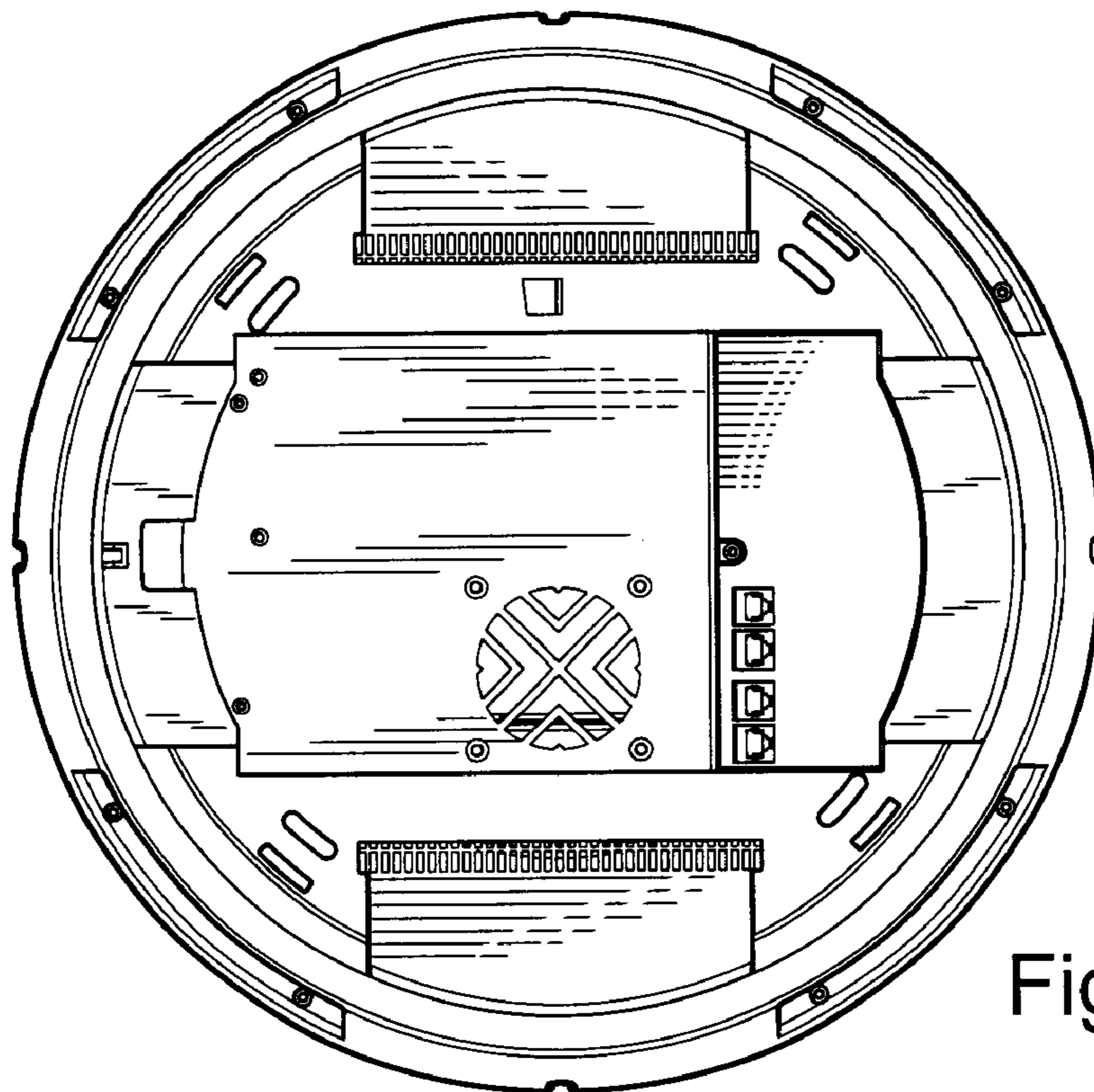


Fig. 4



Fig. 5

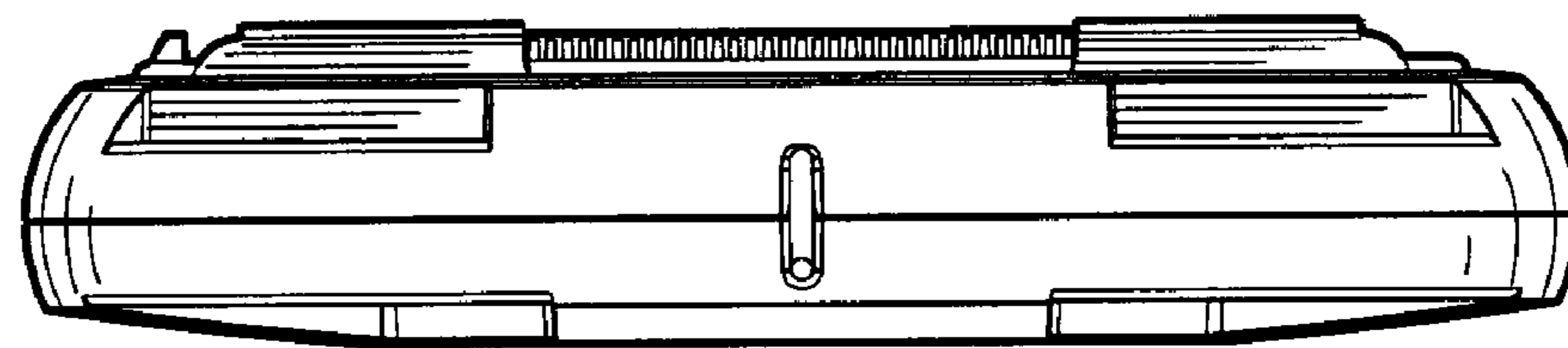
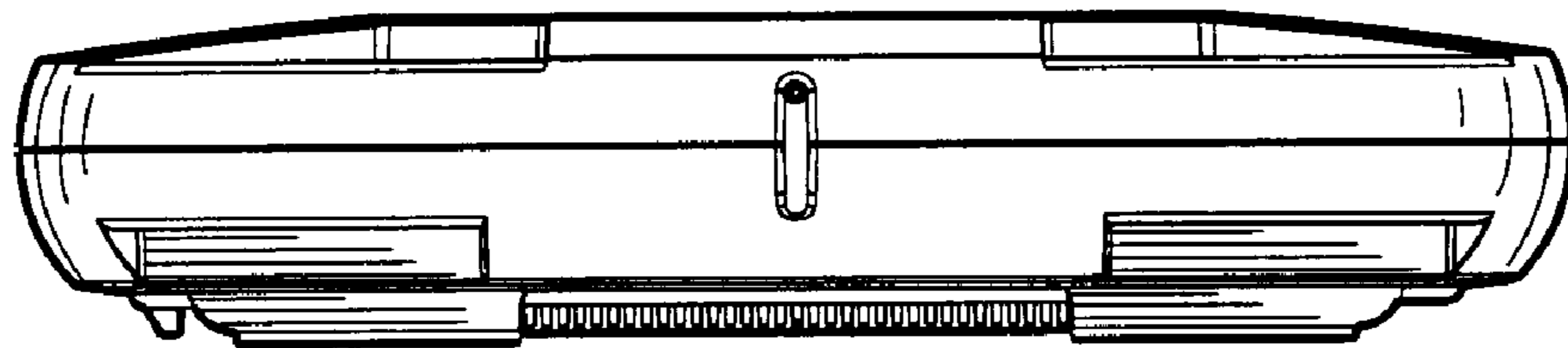


Fig. 6

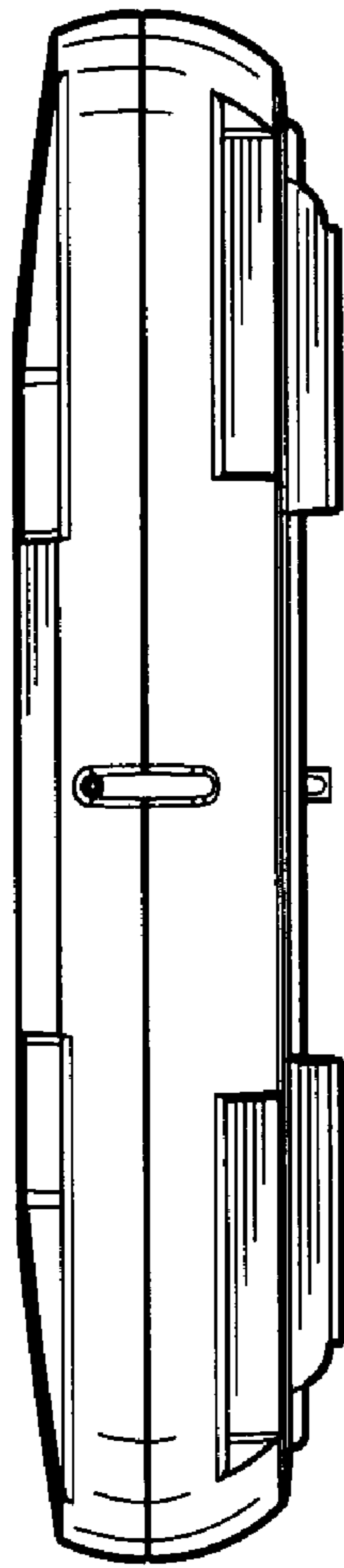


Fig. 7

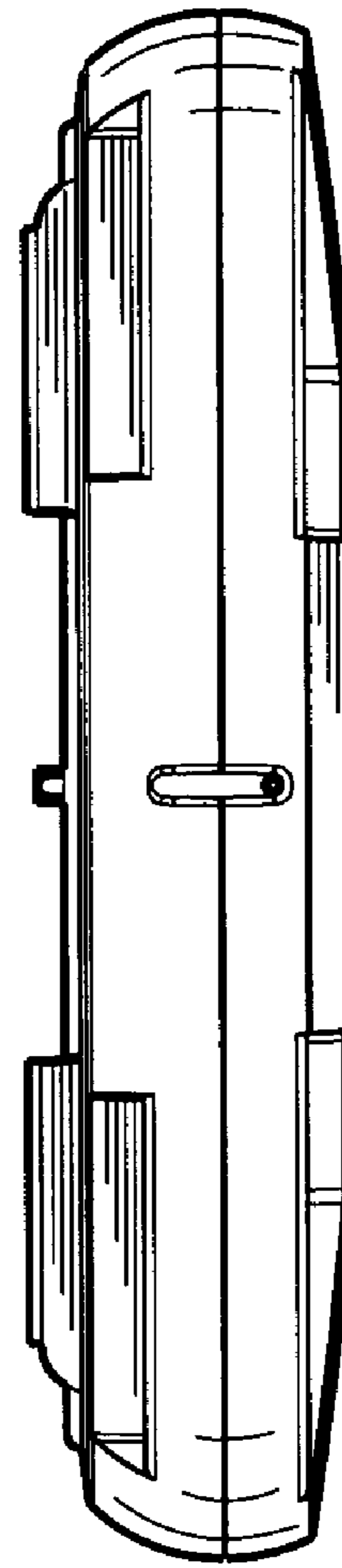


Fig. 8