



US00D526971S

(12) **United States Design Patent** (10) **Patent No.:** **US D526,971 S**
Inoue (45) **Date of Patent:** **** *Aug. 22, 2006**

(54) **LIGHT EMITTING DIODE**

FOREIGN PATENT DOCUMENTS

- (75) Inventor: **Tomio Inoue**, Kyoto (JP)
- (73) Assignee: **Rohm Co., Ltd.**, Kyoto (JP)
- (*) Notice: This patent is subject to a terminal disclaimer.
- (**) Term: **14 Years**

JP	30-0353996	7/2004
TW	581547	3/2004

* cited by examiner

Primary Examiner—Selina Sikder
(74) *Attorney, Agent, or Firm*—Rabin & Berdo, PC

- (21) Appl. No.: **29/227,032**
- (22) Filed: **Apr. 6, 2005**

(57) **CLAIM**

We claim; the ornamental design for a light emitting diode, substantially as shown and described.

(30) **Foreign Application Priority Data**

DESCRIPTION

Oct. 18, 2004 (JP) 2004-031562

- (51) **LOC (8) Cl.** **13-03**
- (52) **U.S. Cl.** **D13/180**
- (58) **Field of Classification Search** D13/180;
D26/2; 257/79, 80, 81, 82, 88, 89, 95, 98,
257/99, 100, 433, 434, 666; 313/483, 498,
313/500; 361/820; 362/235, 555, 800; 372/45
See application file for complete search history.

FIG. 1 is a perspective view of a light emitting diode showing my new design, a lighting element is indicated in dashed lines for environmental purposes only;

- FIG. 2 is a front view thereof;
- FIG. 3 is a rear view thereof;
- FIG. 4 is a right side view thereof;
- FIG. 5 is a top plan view thereof;
- FIG. 6 is a bottom plan view thereof;
- FIG. 7 is a cross-sectional view taken along line 7—7 in FIG. 2;
- FIG. 8 is a cross-sectional view taken along line 8—8 in FIG. 2; and,
- FIG. 9 is a cross-sectional view taken along line 9—9 in FIG. 2.

(56) **References Cited**

U.S. PATENT DOCUMENTS

- D478,877 S * 8/2003 Hoshiba D13/182
- D500,292 S * 12/2004 Ishida D13/180
- D500,294 S * 12/2004 Ishida D13/180
- D501,831 S * 2/2005 Ishida D13/180
- 6,953,952 B1 * 10/2005 Asakawa 257/103
- D511,148 S * 11/2005 Ishida D13/180
- 2005/0121688 A1 * 6/2005 Nagai et al. 257/99

The subject matter illustrated in dashed lines in FIGS. 1 through 9 has been shown for illustrative purposes only and forms no part of the claimed design. The dash-dot lines shown in FIGS. 1, 2 and 5–9 define the bounds of the claimed design and form no part thereof.

1 Claim, 3 Drawing Sheets

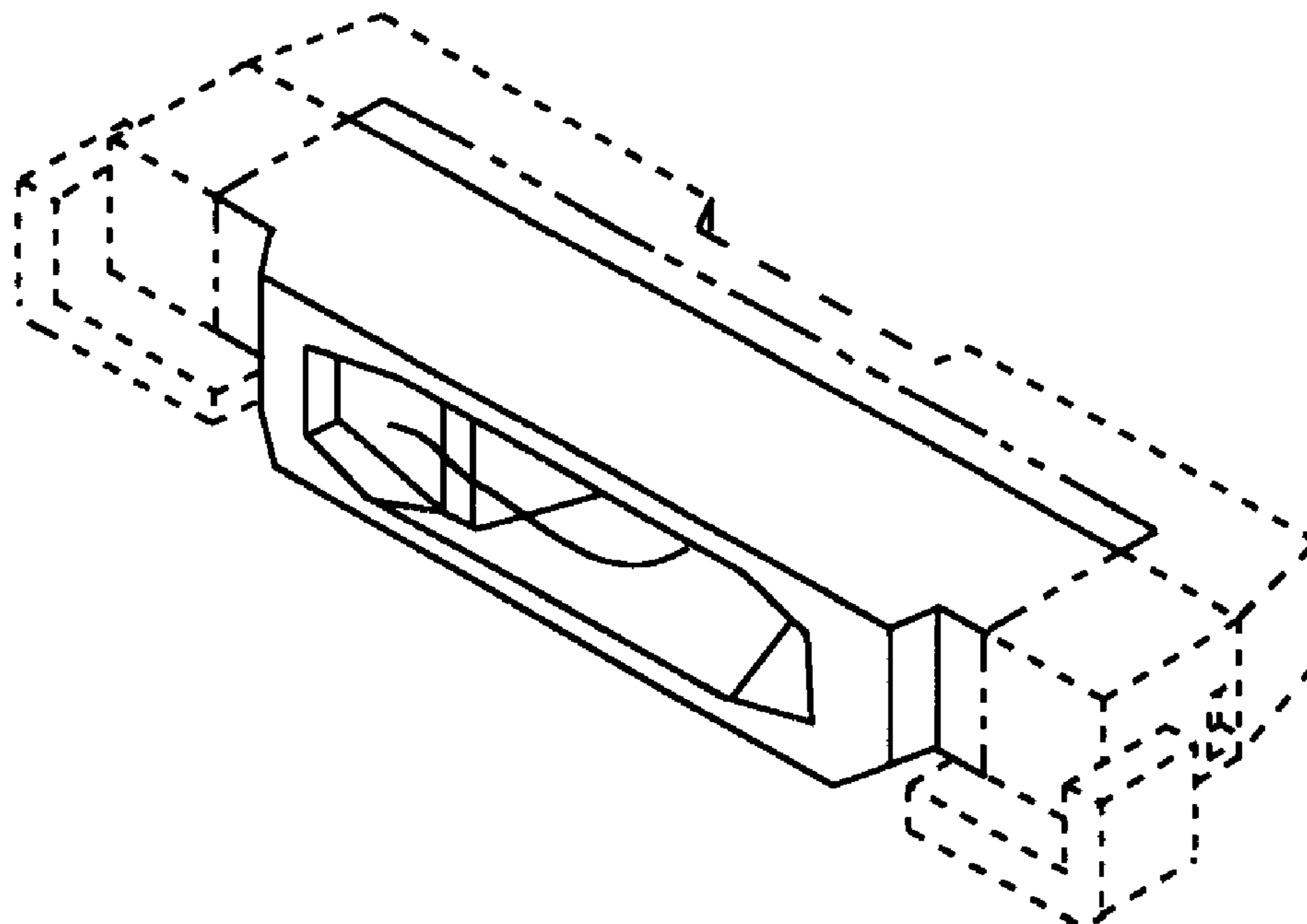


FIG. 1

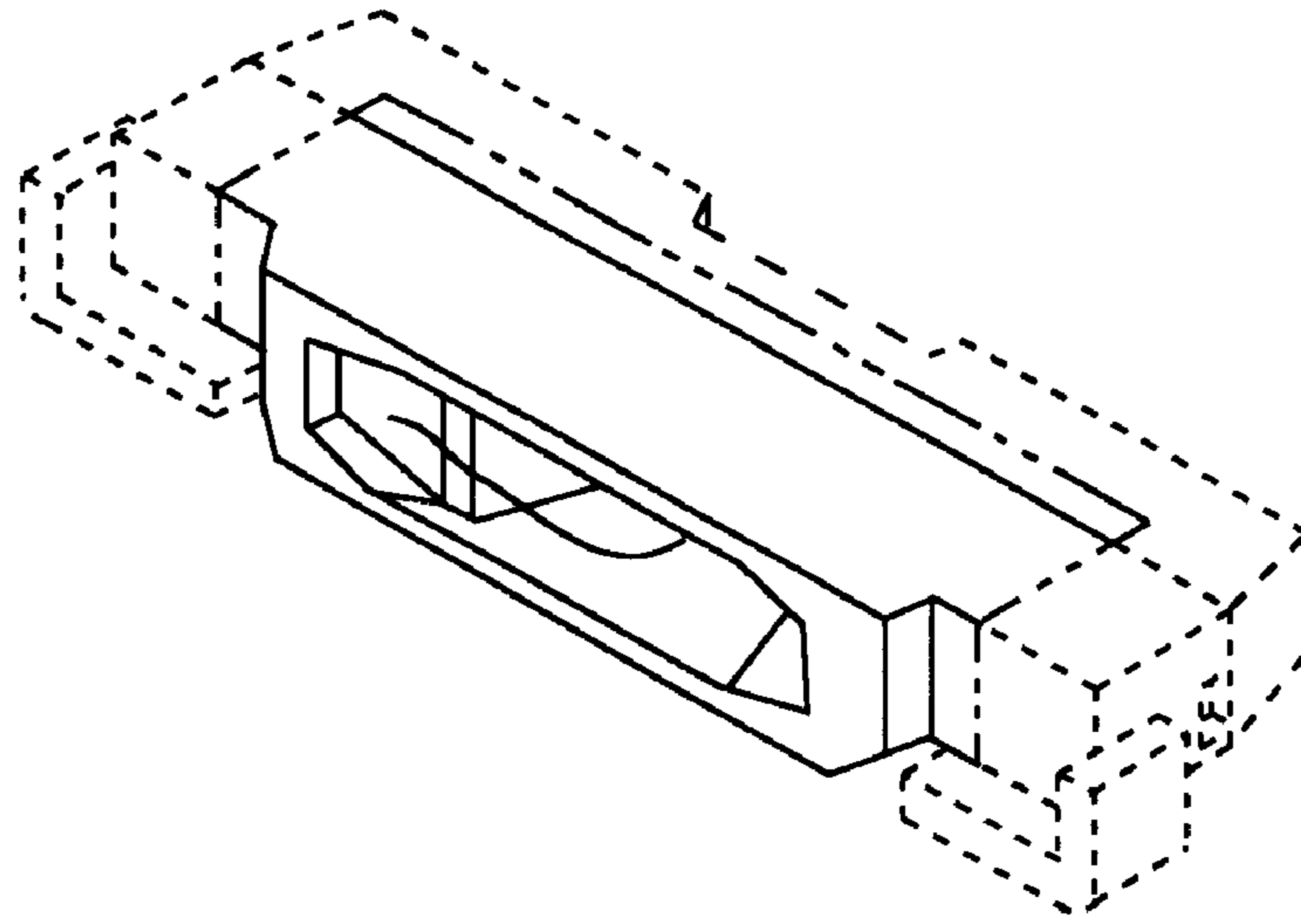


FIG. 2

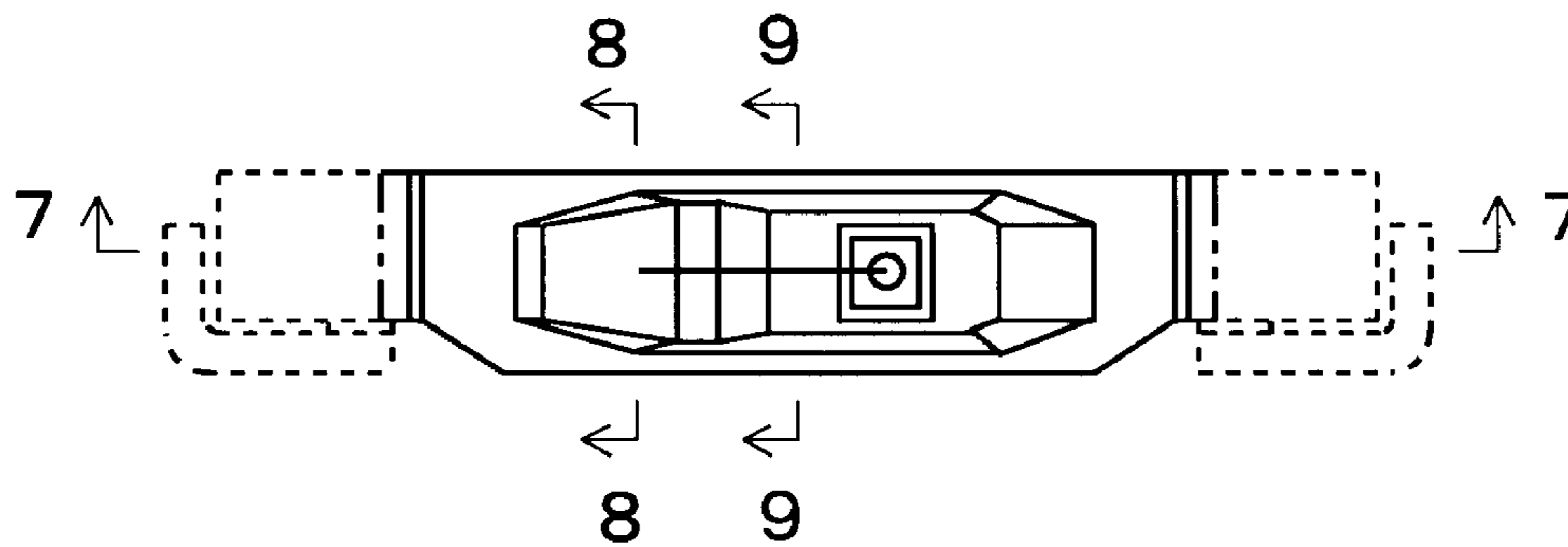


FIG. 3



FIG. 4

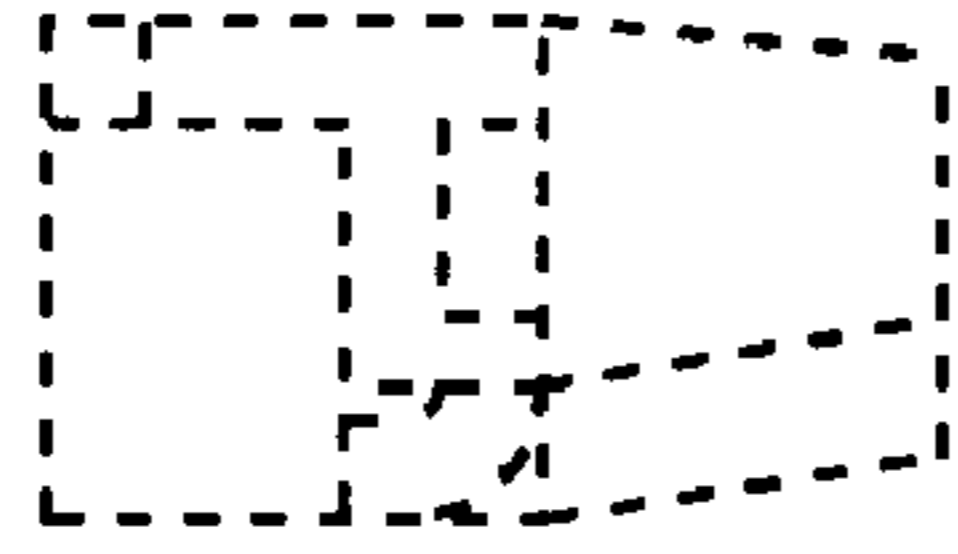


FIG. 5

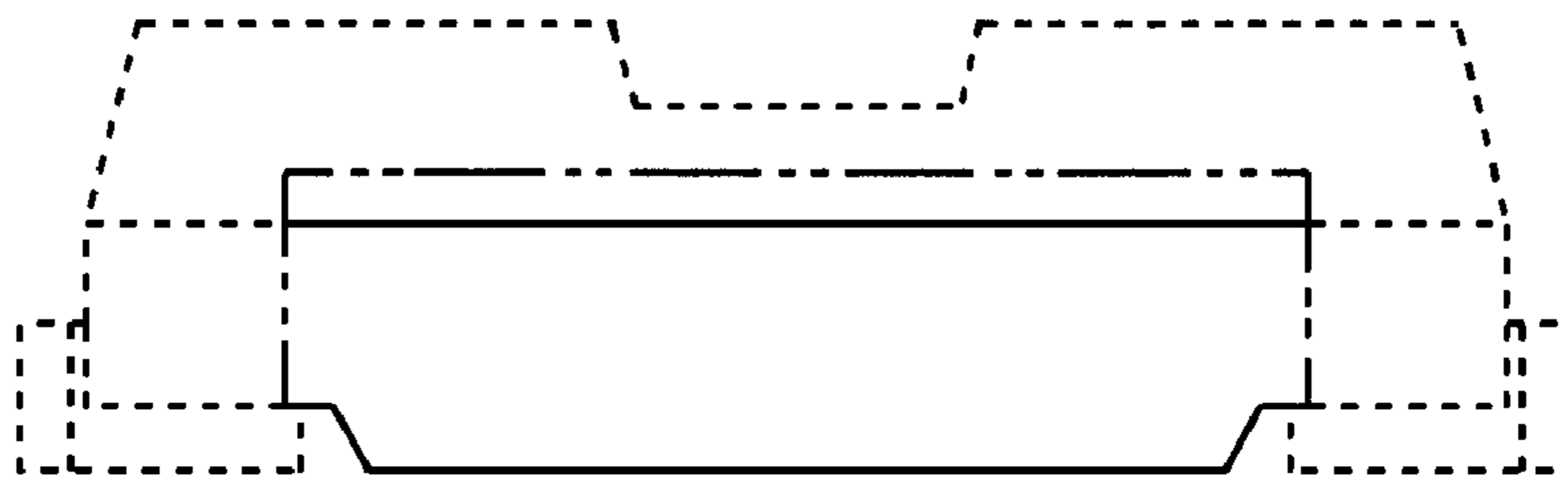


FIG. 6

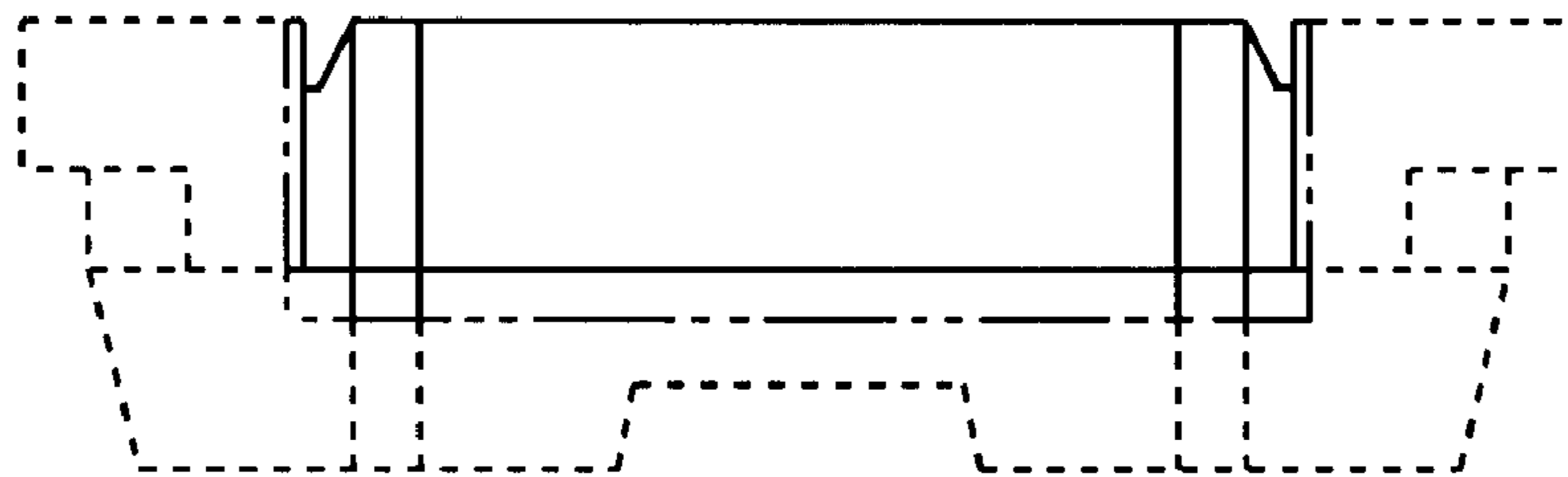


FIG. 7

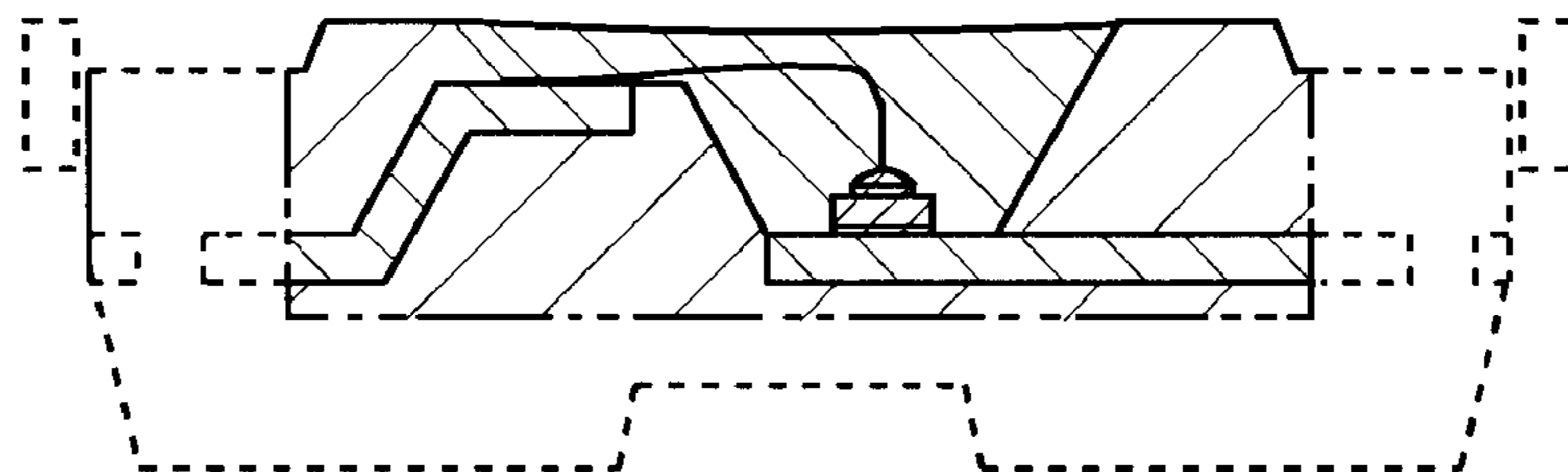


FIG. 8

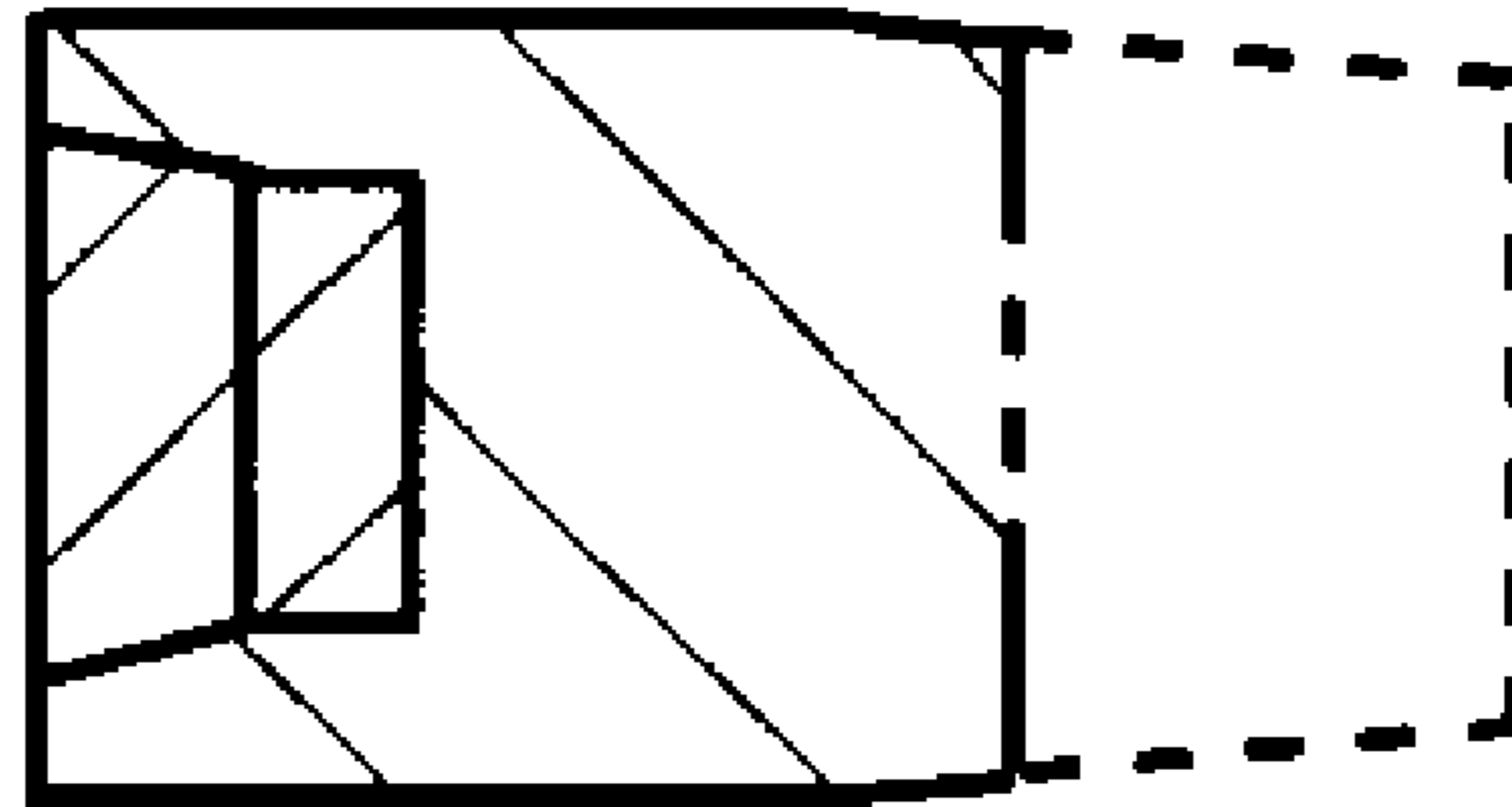


FIG. 9

