



US00D526969S

(12) **United States Design Patent**
Spira

(10) **Patent No.:** **US D526,969 S**

(45) **Date of Patent:** **** Aug. 22, 2006**

(54) **SWITCH**

6,774,328 B1 * 8/2004 Adams et al. 200/329

(75) **Inventor:** **Joel S. Spira**, Coopersburg, PA (US)

* cited by examiner

(73) **Assignee:** **Lutron Electronics Co., Inc.**,
Coopersburg, PA (US)

Primary Examiner—Stella Reid

Assistant Examiner—Selina Sikder

(74) *Attorney, Agent, or Firm*—Mark E. Rosa

(**) **Term:** **14 Years**

(57) **CLAIM**

(21) **Appl. No.:** **29/173,735**

I claim the ornamental design for a switch, as shown and described.

(22) **Filed:** **Jan. 2, 2003**

DESCRIPTION

(51) **LOC (8) Cl.** **13-36**

(52) **U.S. Cl.** **D13/171**

(58) **Field of Classification Search** D13/169,
D13/170, 174, 177; D8/350-353; 174/48,
174/52.1, 66, 55; 200/5 A, 5 R, 16 R, 42.01,
200/237, 241, 293, 296, 297, 308, 310, 313-314,
200/324, 329, 331, 341, 519, 547, 531, 536,
200/541, 550, 571; 315/129, 136, 291, 307,
315/312, 362; 361/622, 643

See application file for complete search history.

FIG. 1 is an isometric view of a switch showing my new design.

FIG. 2 is a front elevational view of FIG. 1.

FIG. 3 is a left side elevational view of FIG. 1.

FIG. 4 is a right side elevational view of FIG. 1.

FIG. 5 is a bottom plan view of FIG. 1.

FIG. 6 is a top plan view of FIG. 1.

FIG. 7 is an isometric view of a second embodiment of the design of FIG. 1.

FIG. 8 is a front elevational view of FIG. 7.

FIG. 9 is a left side elevational view of FIG. 7.

FIG. 10 is a right side elevational view of FIG. 7.

FIG. 11 is a bottom plan view of 7; and,

FIG. 12 is a top plan view of FIG. 7.

The rear of all six embodiments forms no part of the claimed design.

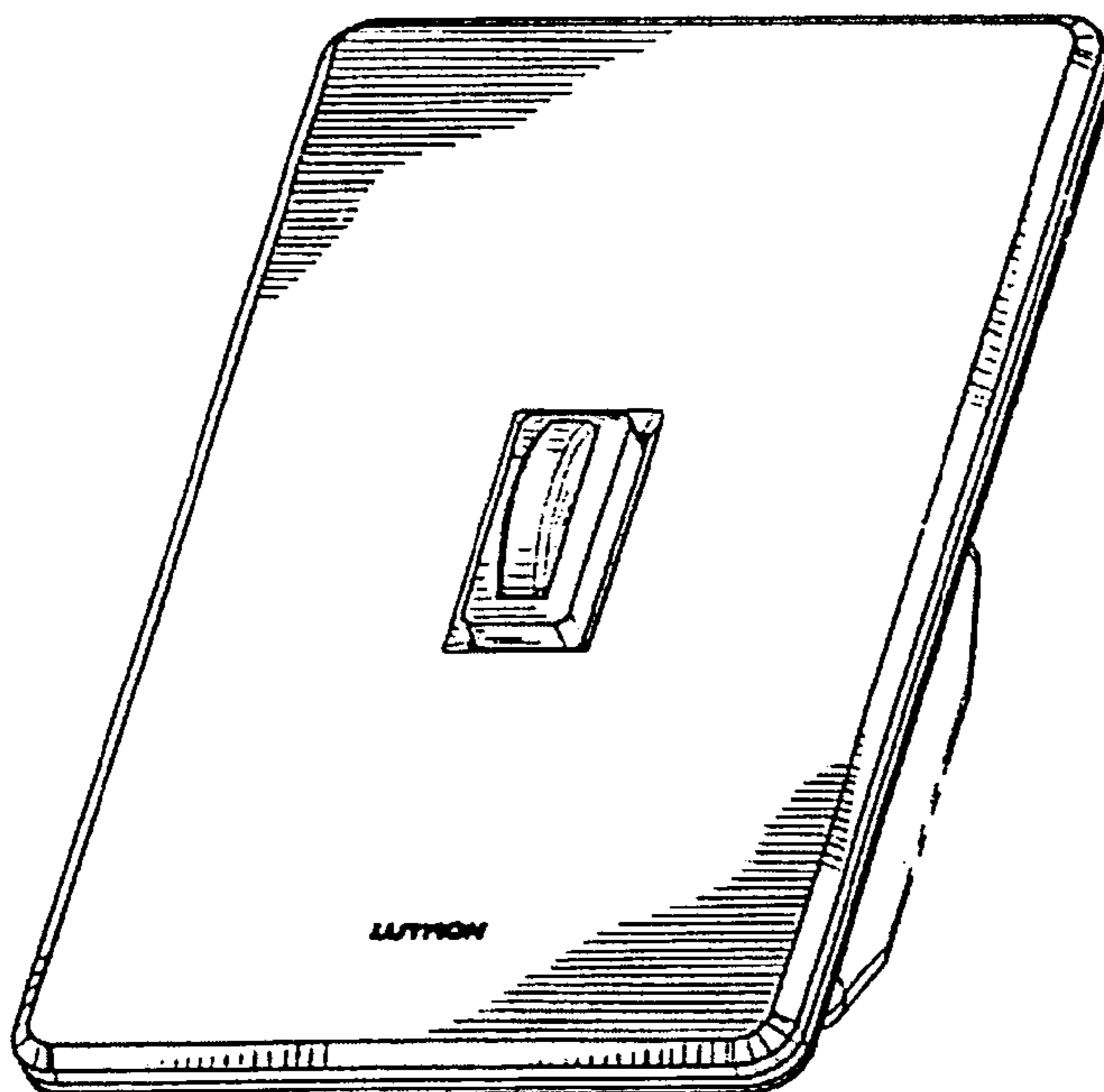
The broken line showing of environmental structure in all views of the drawings is for illustrative purposes only and forms no part of the claimed design.

(56) **References Cited**

U.S. PATENT DOCUMENTS

2,141,936	A	*	12/1938	Schmitt	200/304
2,421,881	A	*	6/1947	Heasty	200/571
4,312,458	A	*	1/1982	Stewart	220/241
D268,564	S	*	4/1983	Mack	D8/353
5,675,125	A	*	10/1997	Hollinger	174/66
D477,575	S	*	7/2003	Mayo et al.	D13/171
D478,554	S	*	8/2003	Mayo et al.	D13/171
D482,007	S	*	11/2003	Mayo et al.	D13/171
6,727,446	B1	*	4/2004	Mayo et al.	200/296

1 Claim, 8 Drawing Sheets



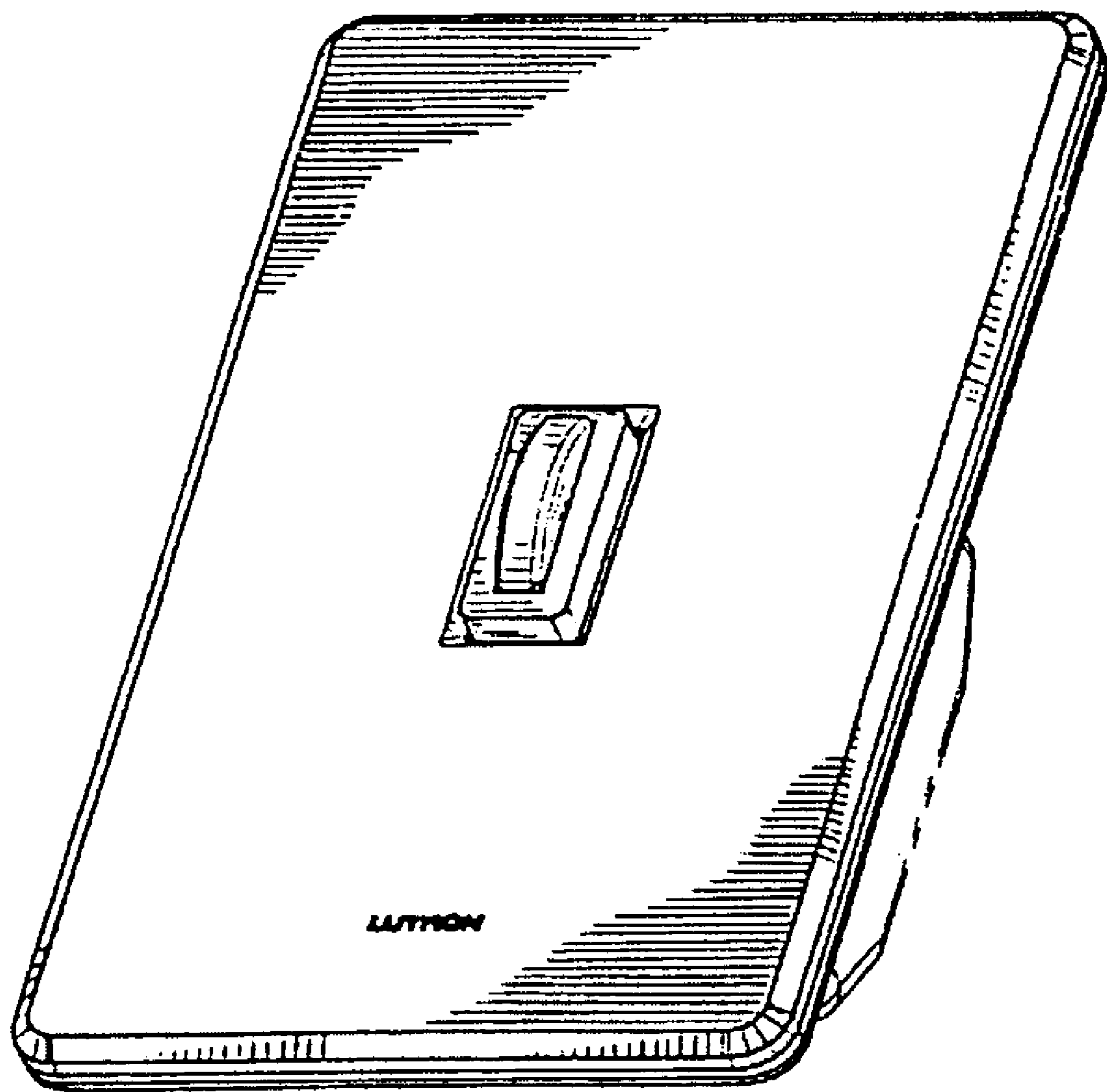


FIG. 1

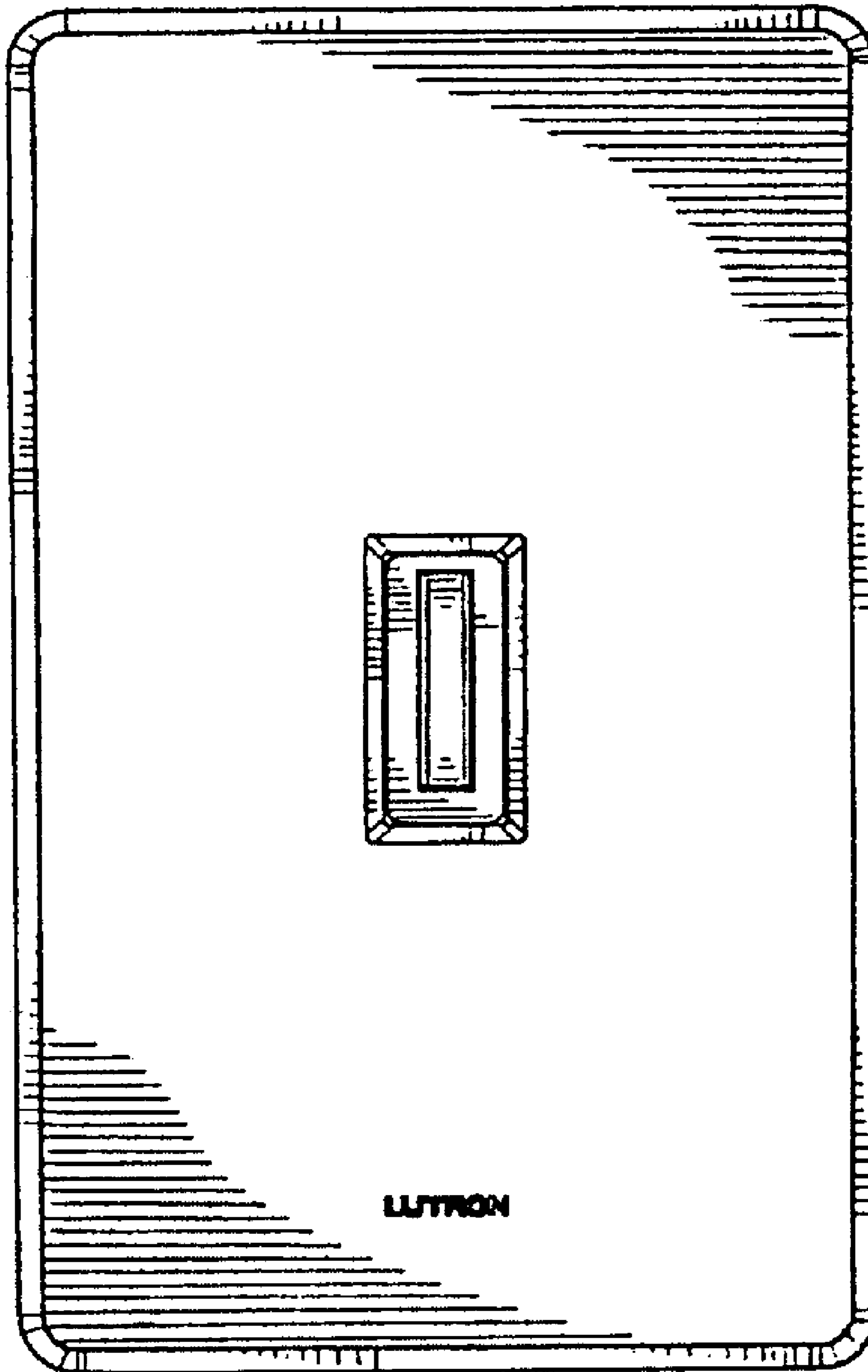


FIG. 2

FIG. 3

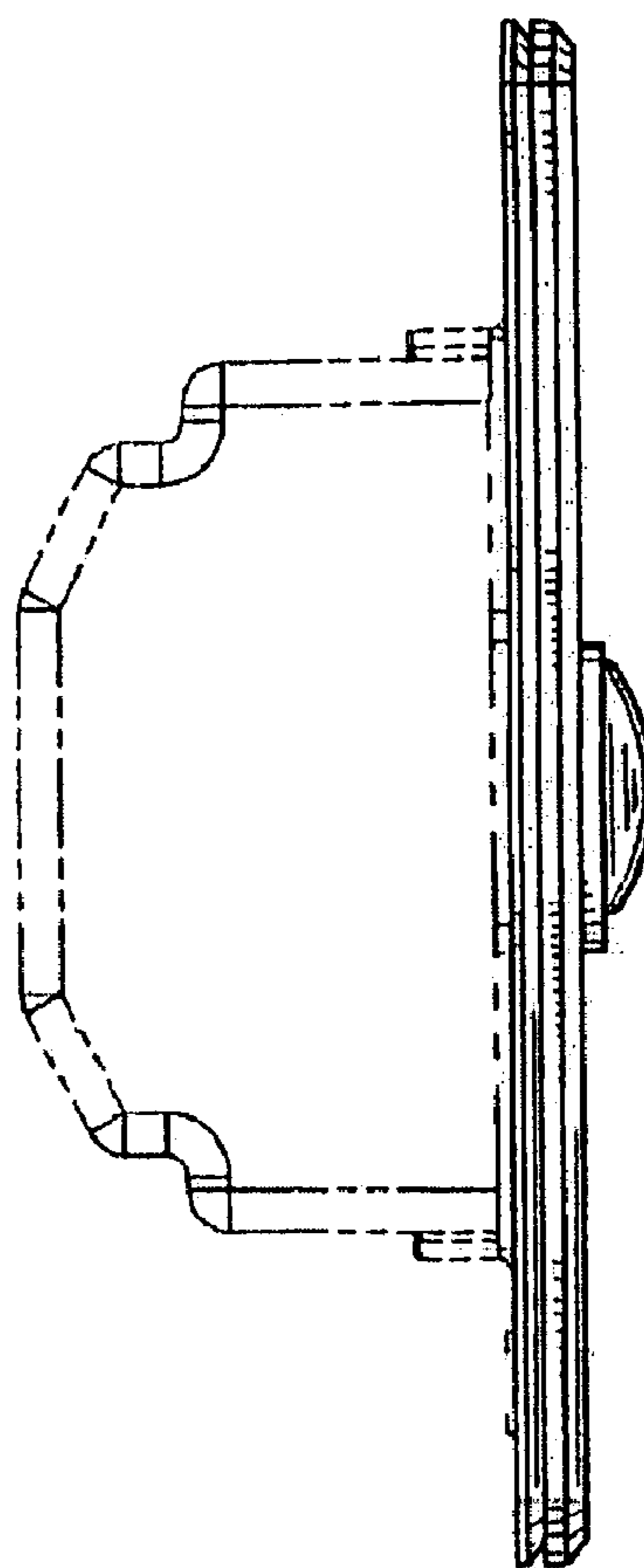
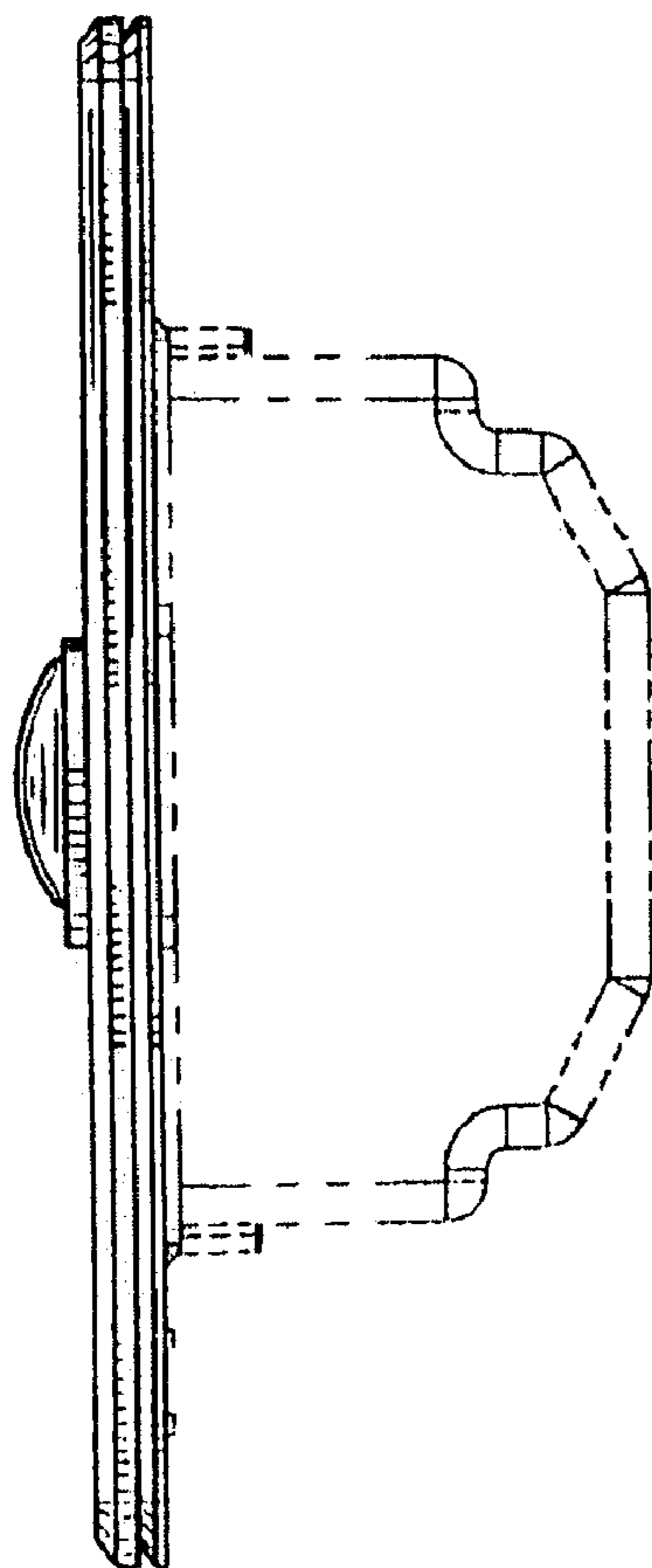


FIG. 4



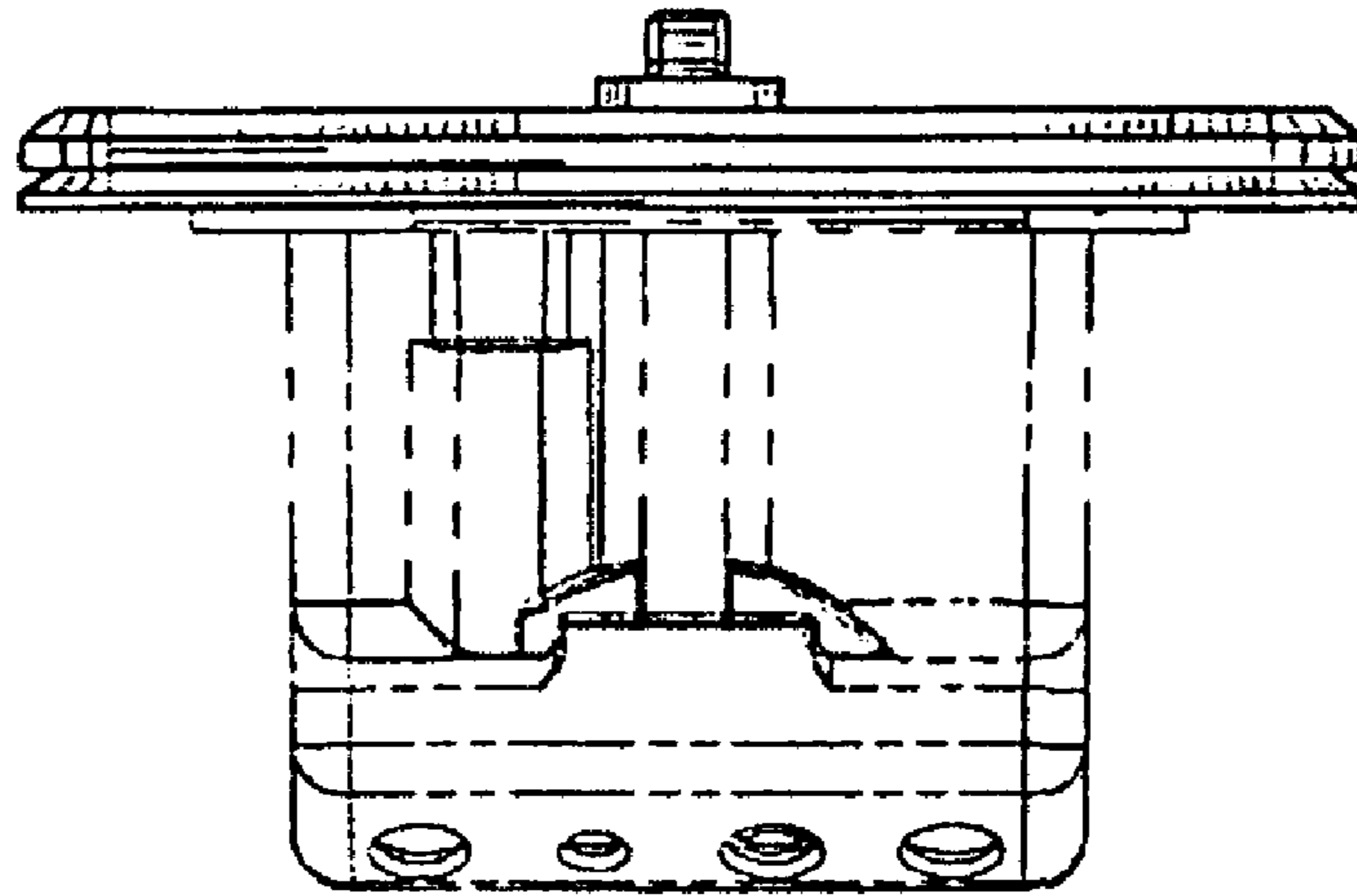


FIG. 5

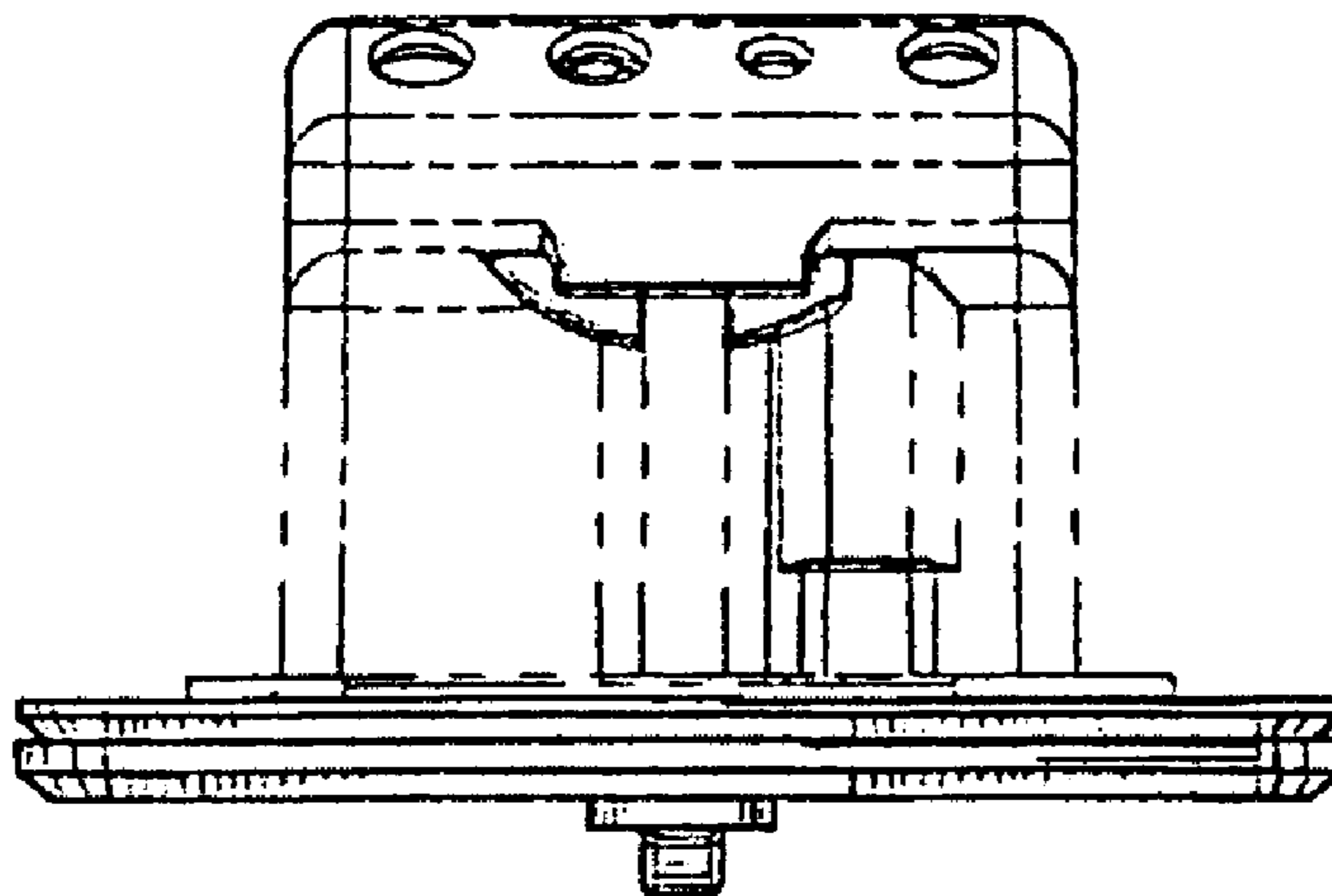


FIG. 6

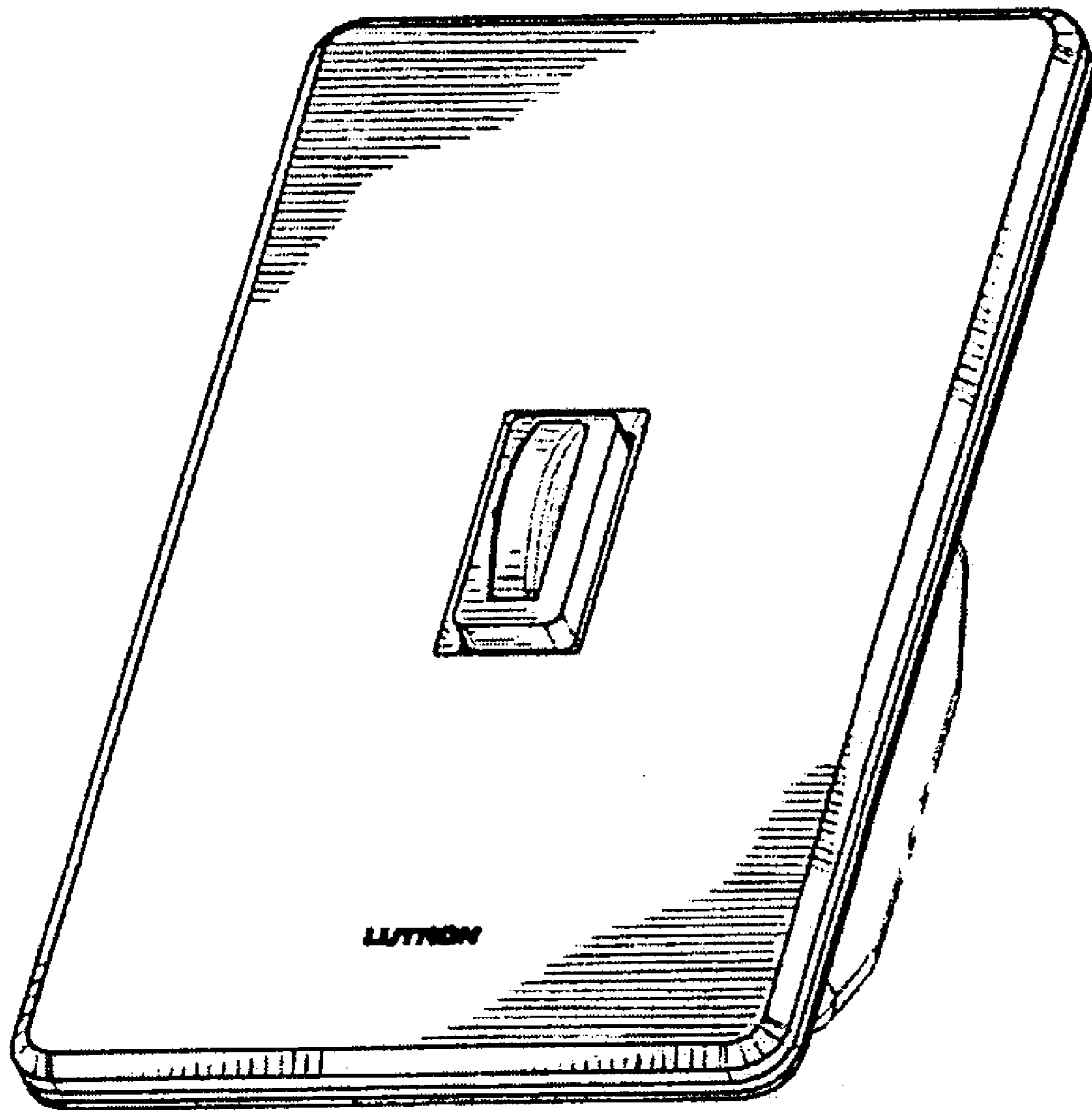


FIG. 7

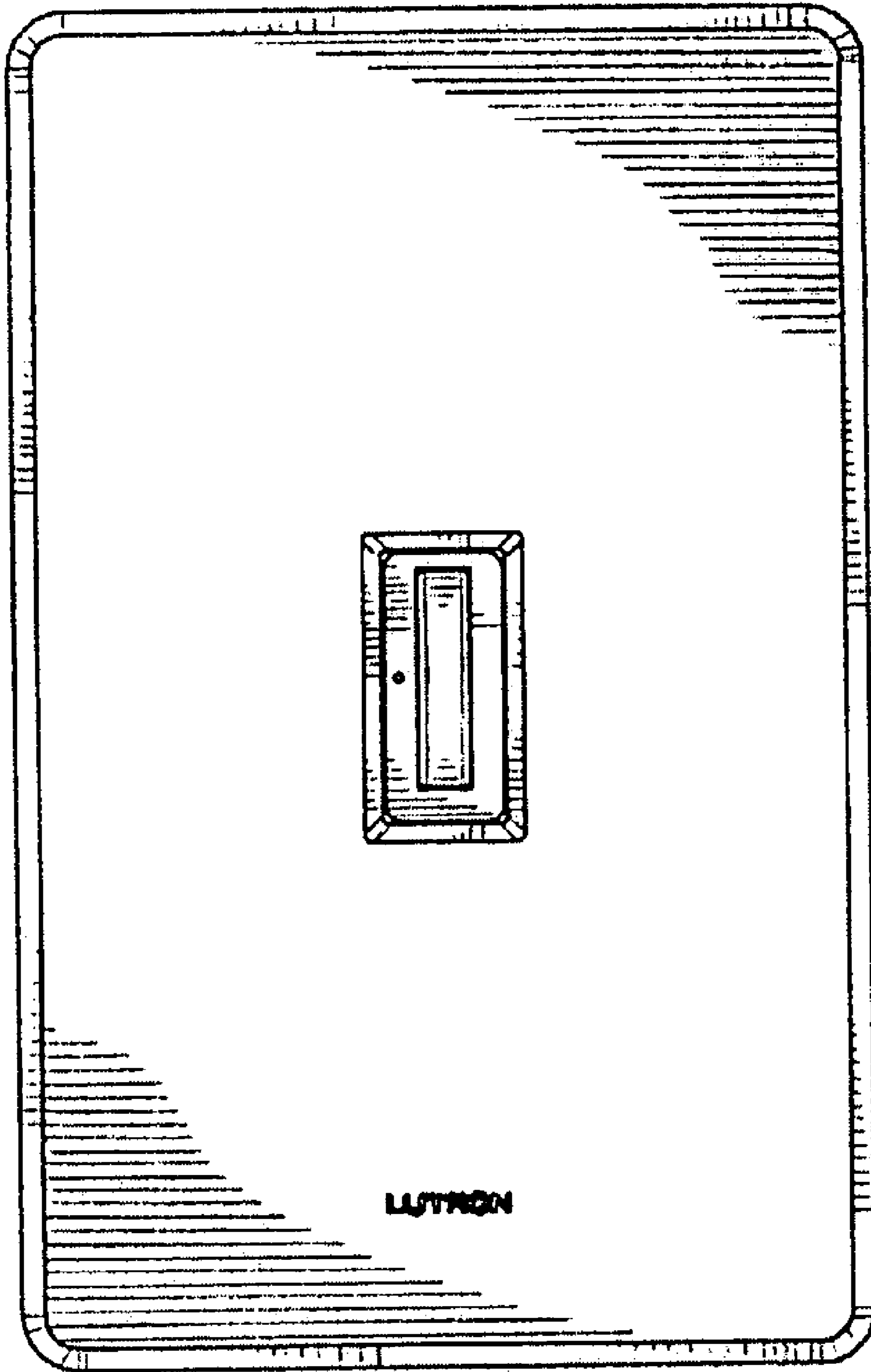


FIG. 8

FIG. 9

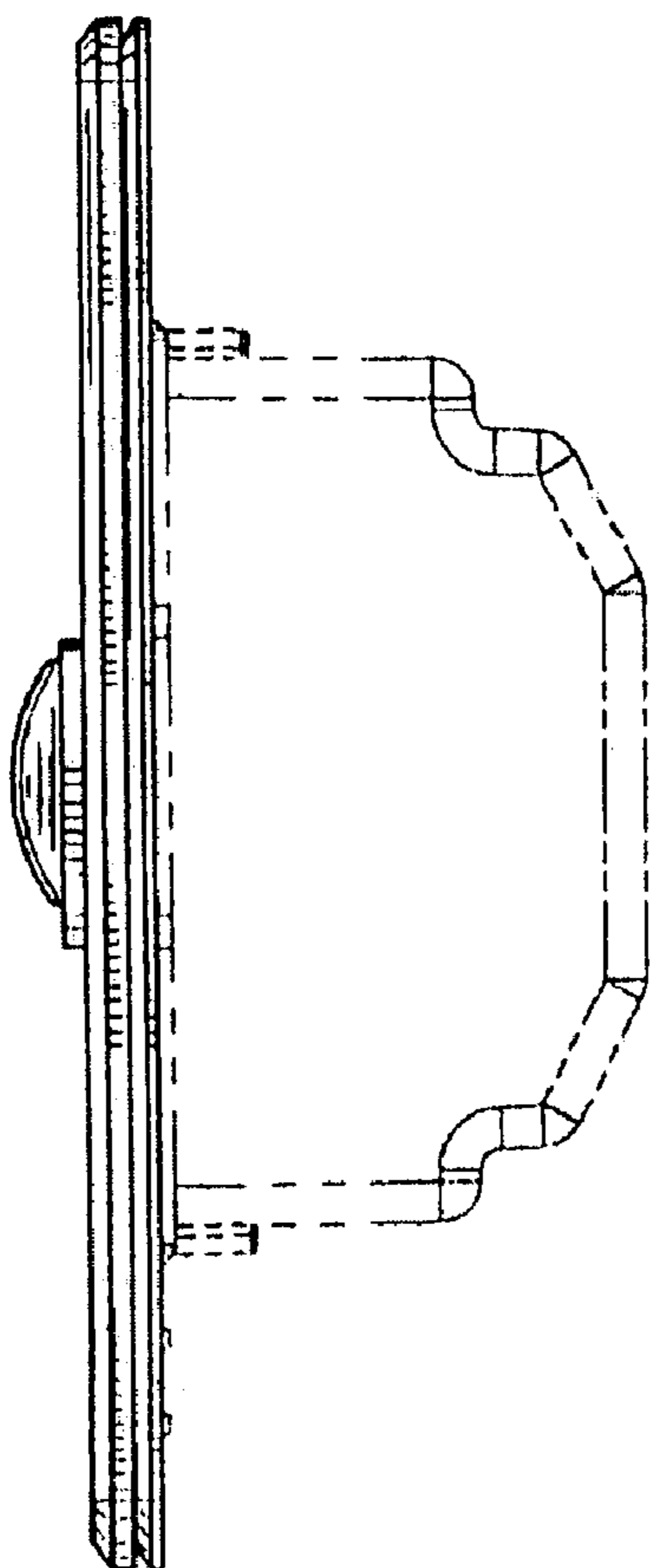
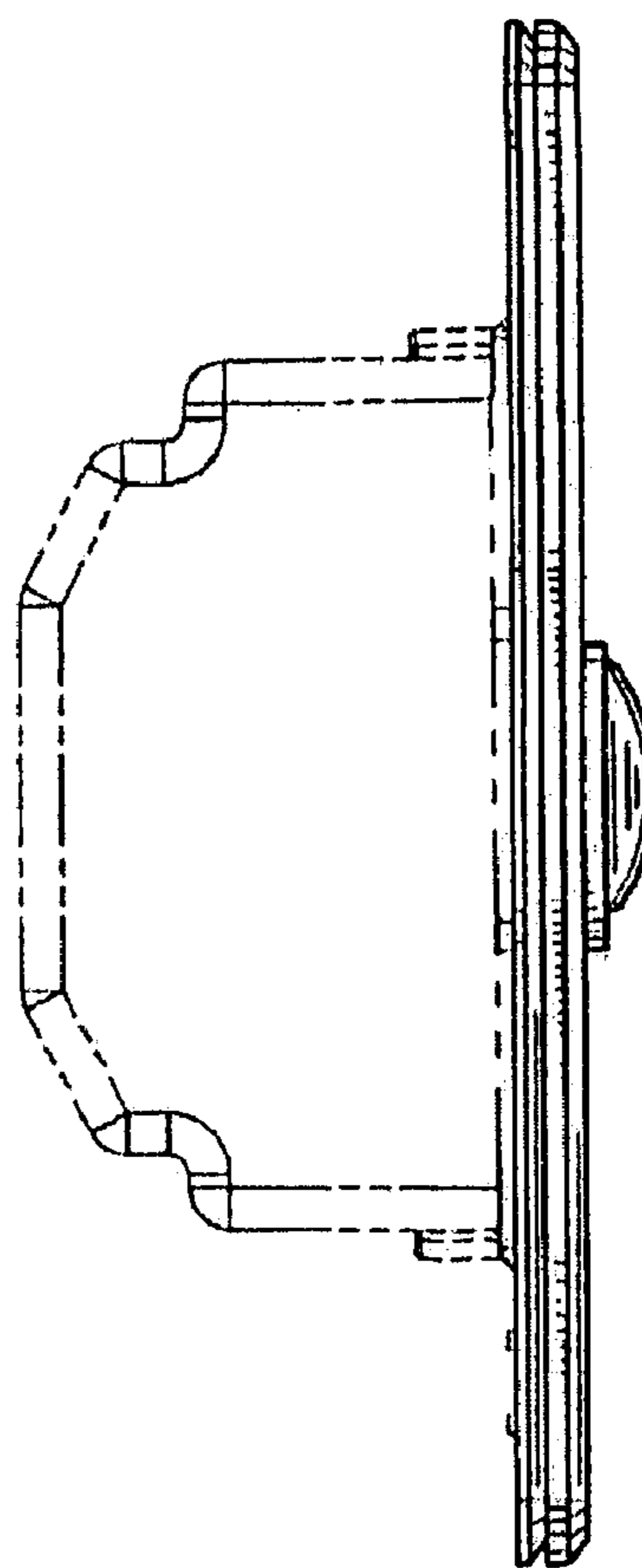


FIG. 10

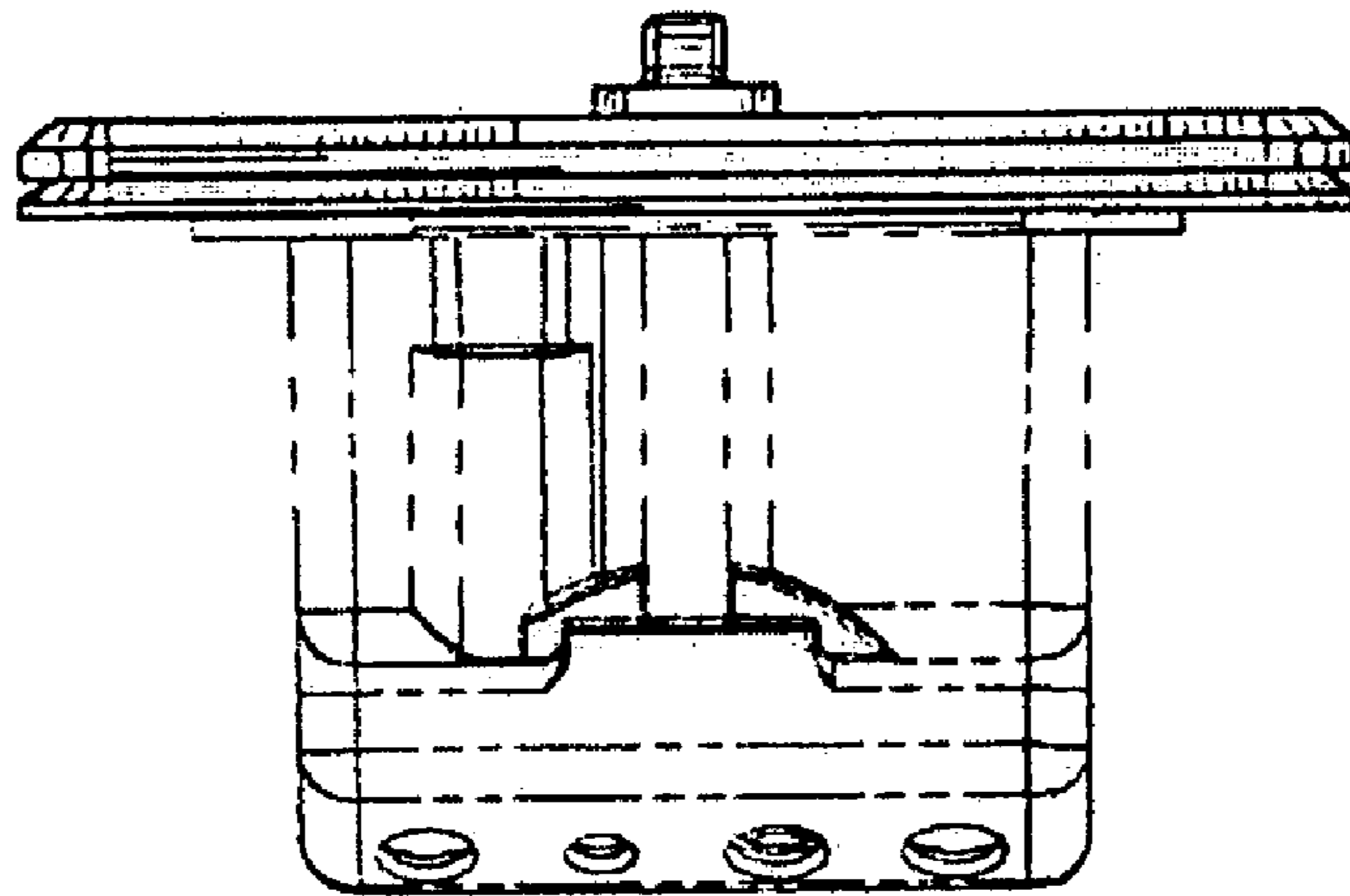


FIG. 11

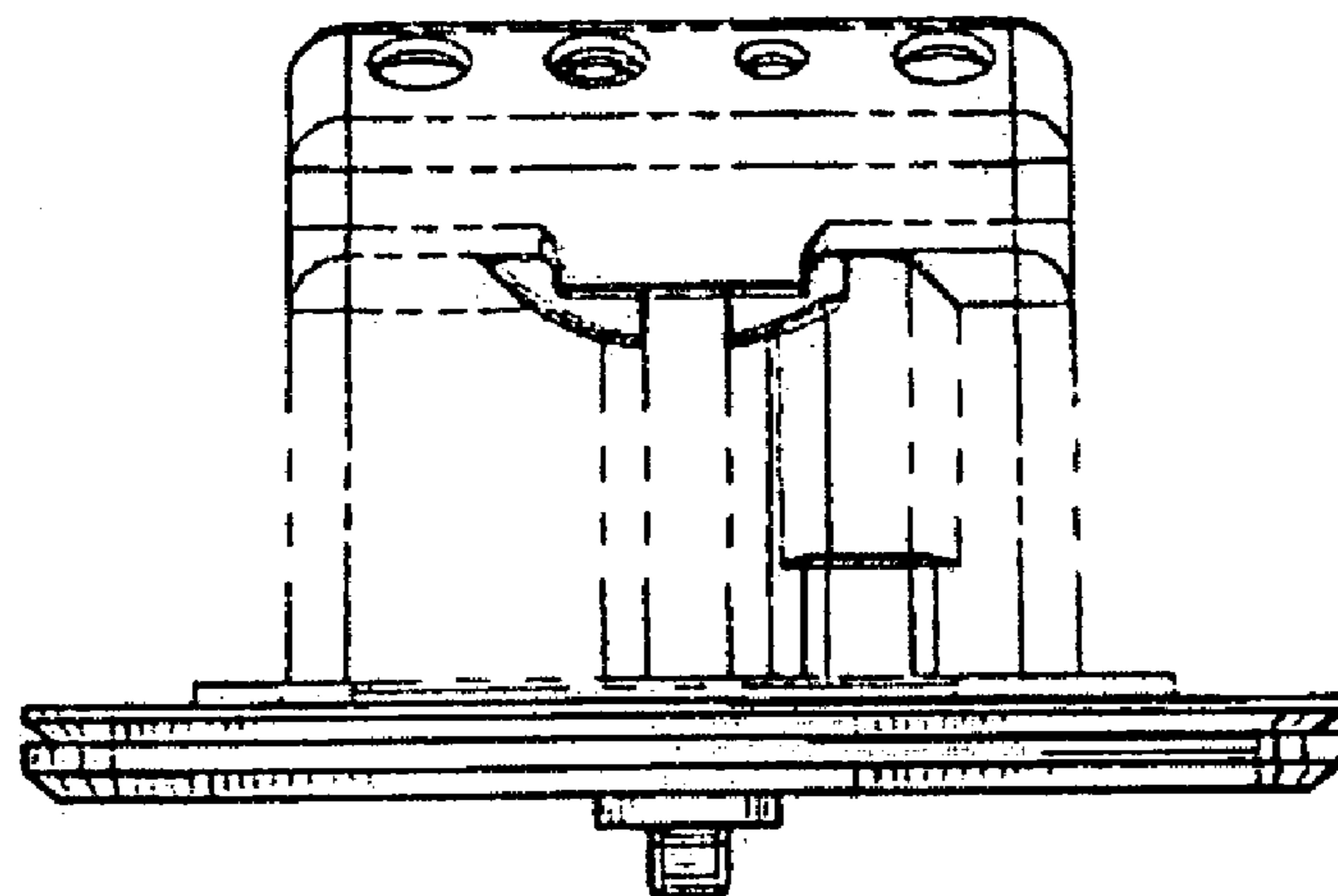


FIG. 12