



US00D526968S

(12) **United States Design Patent**
Castaldo

(10) **Patent No.:** **US D526,968 S**

(45) **Date of Patent:** **** Aug. 22, 2006**

(54) **ELECTRICAL RECEPTACLE HOUSING**

(75) Inventor: **Cosmo Castaldo**, Westbury, NY (US)

(73) Assignee: **Leviton Manufacturing Co., Inc.**,
Little Neck, NY (US)

(**) Term: **14 Years**

(21) Appl. No.: **29/214,469**

(22) Filed: **Oct. 5, 2004**

(51) **LOC (8) Cl.** **13-03**

(52) **U.S. Cl.** **D13/169; D13/158; D13/184**

(58) **Field of Classification Search** D13/158,
D13/169, 184; 174/52.1, 52.2, 53, 58, 60,
174/65 R, 66, 67; 200/50.02, 50.28; 220/4.02;
361/630; 439/135, 535

See application file for complete search history.

(56) **References Cited**

U.S. PATENT DOCUMENTS

- 5,243,157 A * 9/1993 Hoffman 200/43.11
- D354,738 S * 1/1995 Zimmermann et al. D13/169
- D406,820 S * 3/1999 Johnson D13/169
- 5,880,420 A * 3/1999 Rohmer et al. 200/50.28

- D426,813 S * 6/2000 Rohmer D13/169
- 6,448,515 B1 * 9/2002 Rohmer et al. 200/50.28
- 6,956,176 B1 * 10/2005 Castaldo 200/50.28
- 2006/0027446 A1 * 2/2006 Castaldo 200/50.28

* cited by examiner

Primary Examiner—Selina Sikder

(74) *Attorney, Agent, or Firm*—Paul J. Sutton

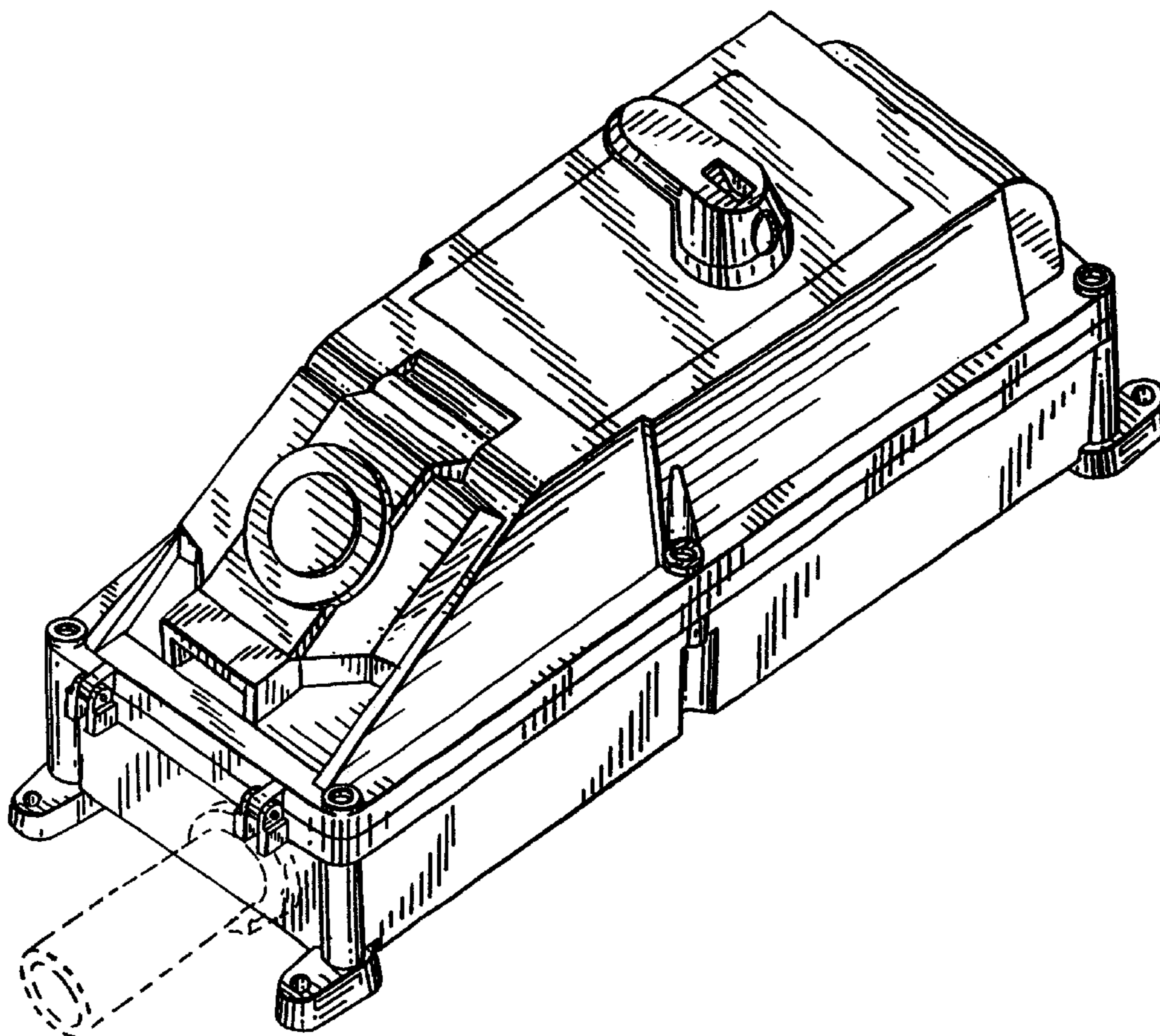
(57) **CLAIM**

I claim the ornamental design for an electrical receptacle housing, as shown and described.

DESCRIPTION

FIG. 1 is a perspective view illustrating my new design of an electrical receptacle housing;
 FIG. 2 is a top view thereof;
 FIG. 3 is a front view thereof;
 FIG. 4 is a side view thereof, the opposite side being a mirror image;
 FIG. 5 is a rear view thereof; and,
 FIG. 6 is a bottom view thereof.
 The broken lines shown in FIGS. 1–4 and 6 are for illustrative purposes only and form no part of the claimed design.

1 Claim, 6 Drawing Sheets



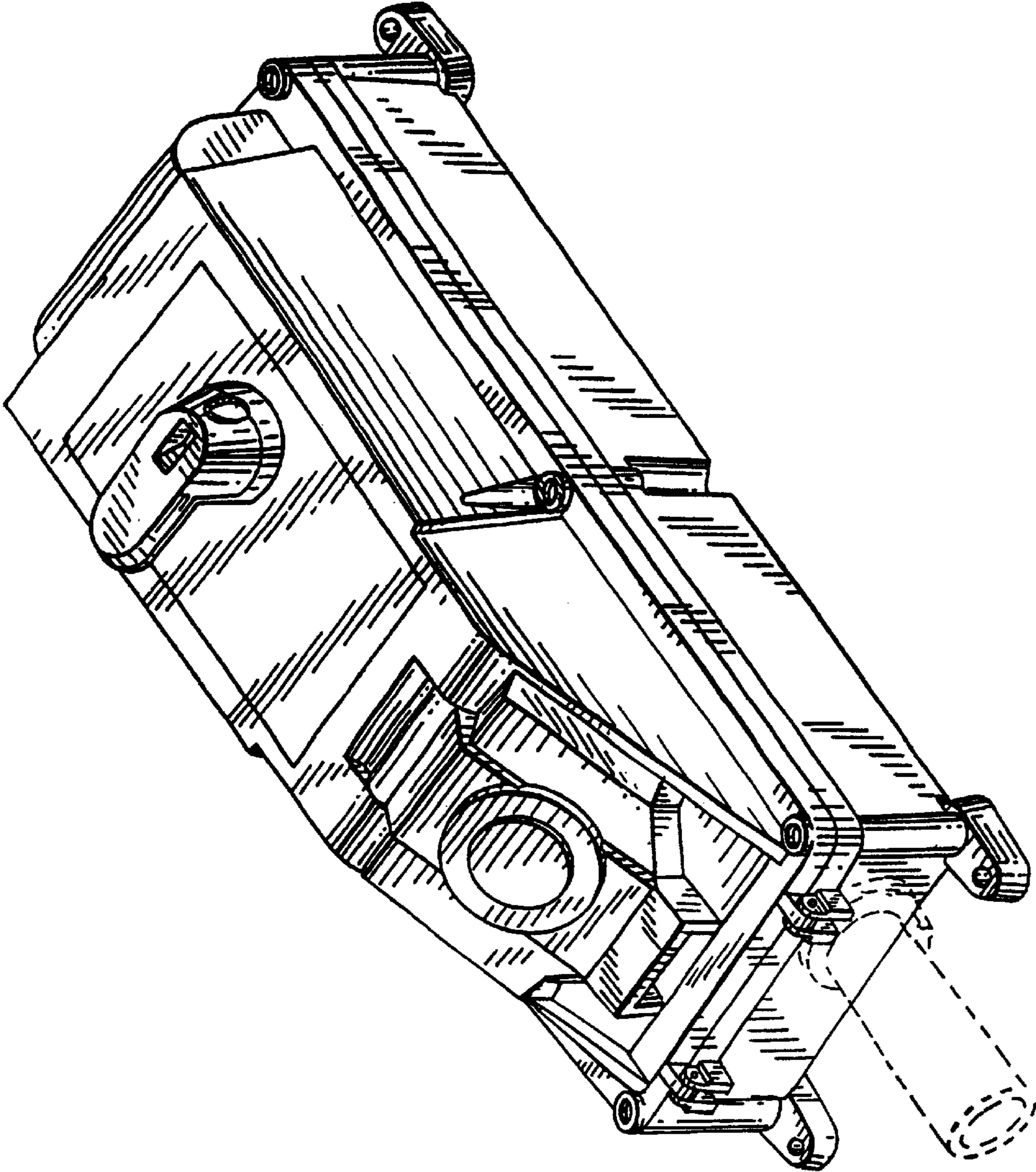


FIG. 1

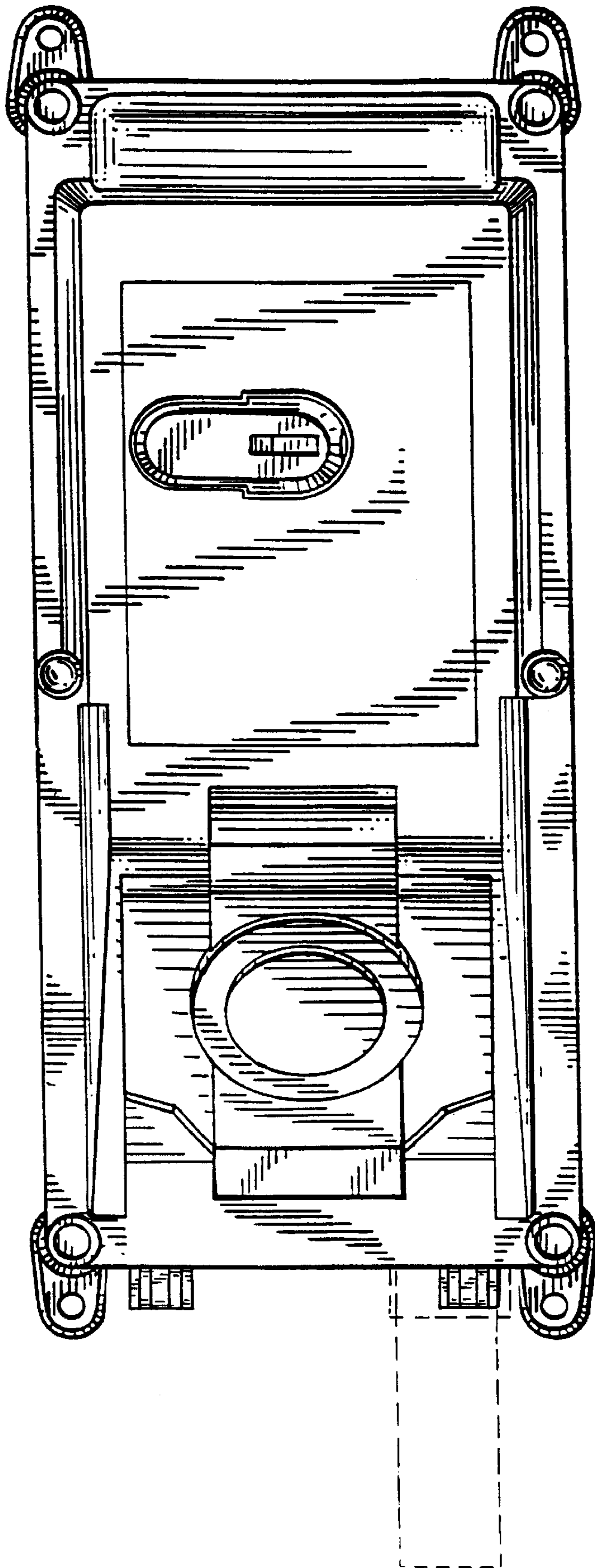


FIG. 2

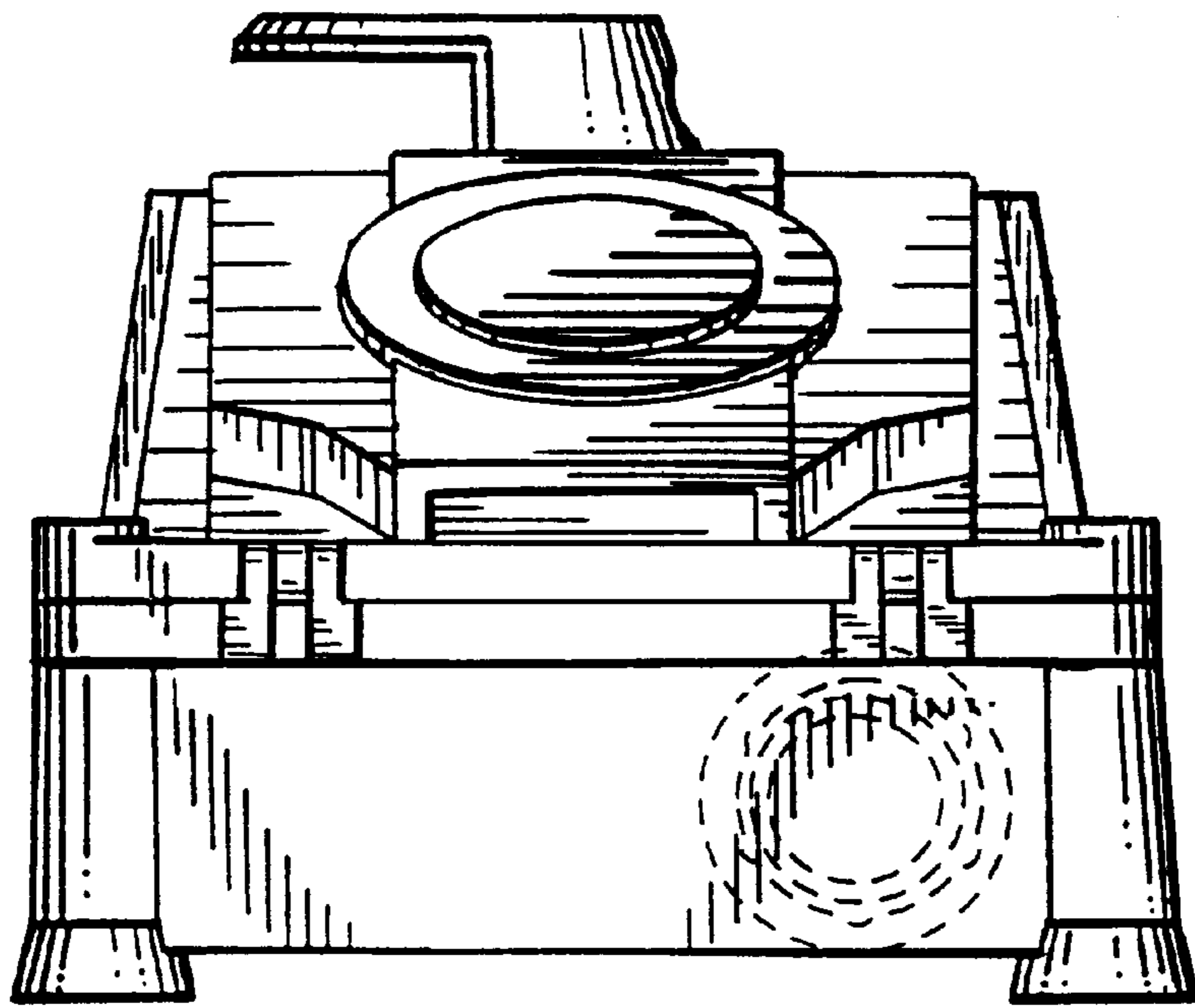


FIG. 3

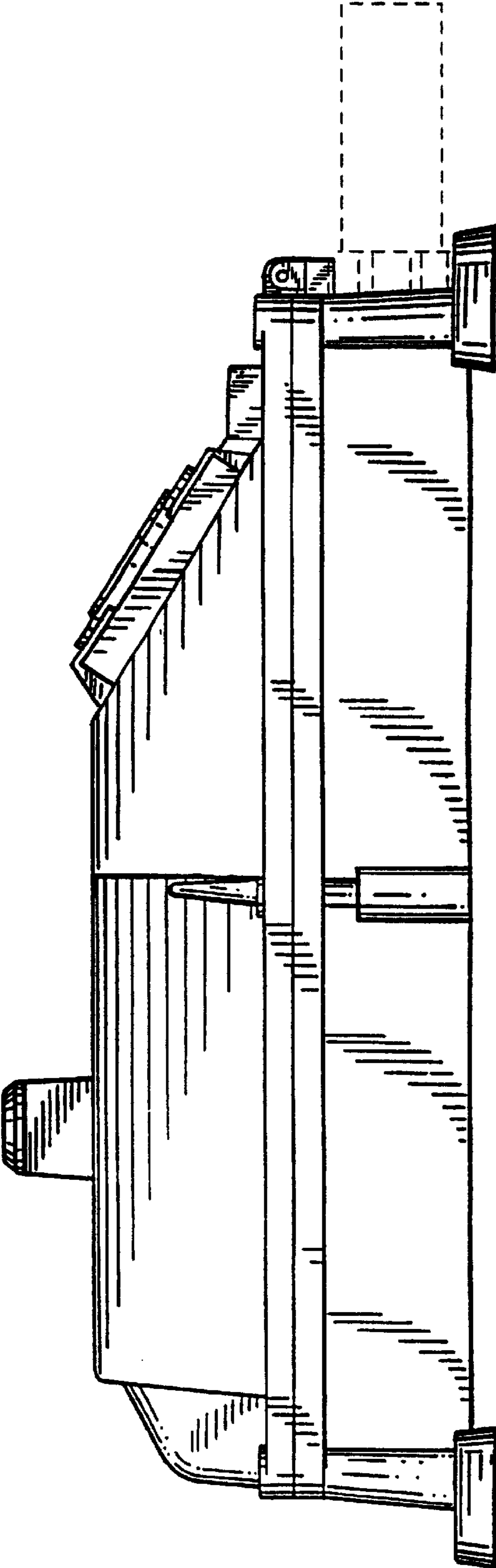


FIG. 4

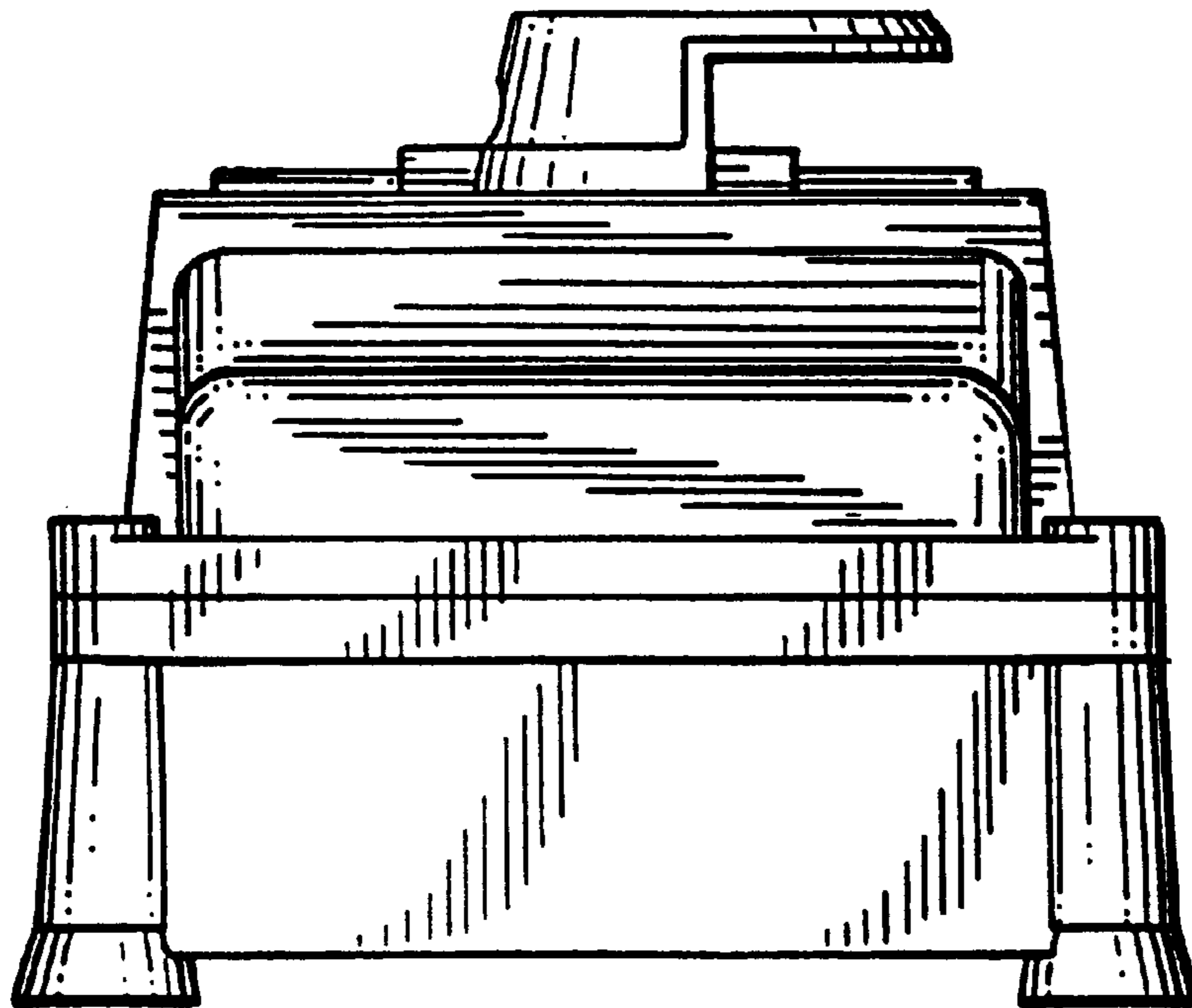


FIG. 5

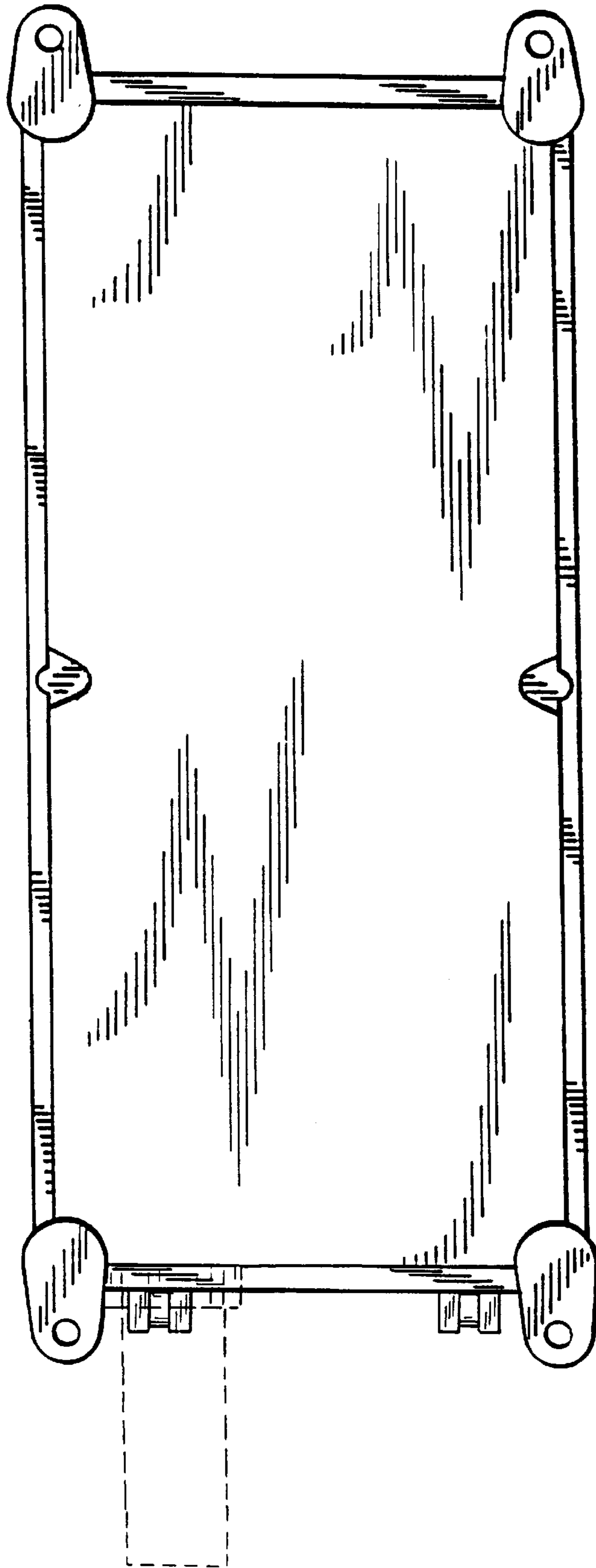


FIG. 6