

US00D526966S

(12) **United States Design Patent**
Chen

(10) **Patent No.:** **US D526,966 S**

(45) **Date of Patent:** **** Aug. 22, 2006**

(54) **REMOTE CONTROL UNIT**

(75) Inventor: **Wen Tarng Chen**, Hsinchu (TW)

(73) Assignee: **Willis Electric Co., Ltd.**, Hsinchu (TW)

(**) Term: **14 Years**

(21) Appl. No.: **29/236,794**

(22) Filed: **Aug. 23, 2005**

(51) **LOC (8) Cl.** **13-03**

(52) **U.S. Cl.** **D13/168**

(58) **Field of Classification Search** D13/168;
D10/104, 106; D14/218, 247; 340/825.22,
340/825.24, 825.25, 825.31, 825.36, 825.69,
340/825.71, 825.72; 341/20, 22, 23, 34, 173,
341/174, 176; 345/156, 168, 169; 348/734;
455/92, 95, 100, 128, 151.1-151.4, 325-355;
463/39, 42; 700/17, 19, 20, 281

See application file for complete search history.

(56) **References Cited**

U.S. PATENT DOCUMENTS

D354,489 S * 1/1995 Patton et al. D14/218

D375,909 S * 11/1996 Dziersk et al. D10/106
D381,662 S * 7/1997 Weissberg et al. D14/218
D392,945 S * 3/1998 Barry et al. D13/168
D452,520 S * 12/2001 Gotham et al. D16/235
6,674,364 B1 * 1/2004 Holbrook et al. 340/568.1
D495,665 S * 9/2004 Stekelenburg D13/168
D500,015 S * 12/2004 Gubbe D13/168

* cited by examiner

Primary Examiner—Selina Sikder

(74) *Attorney, Agent, or Firm*—Rosenberg, Klein & Lee

(57) **CLAIM**

The ornamental design for a remote control unit, as shown and described.

DESCRIPTION

FIG. 1 is a perspective view of a remote control unit showing my new design;

FIG. 2 is a front elevational view thereof;

FIG. 3 is a rear elevational view thereof;

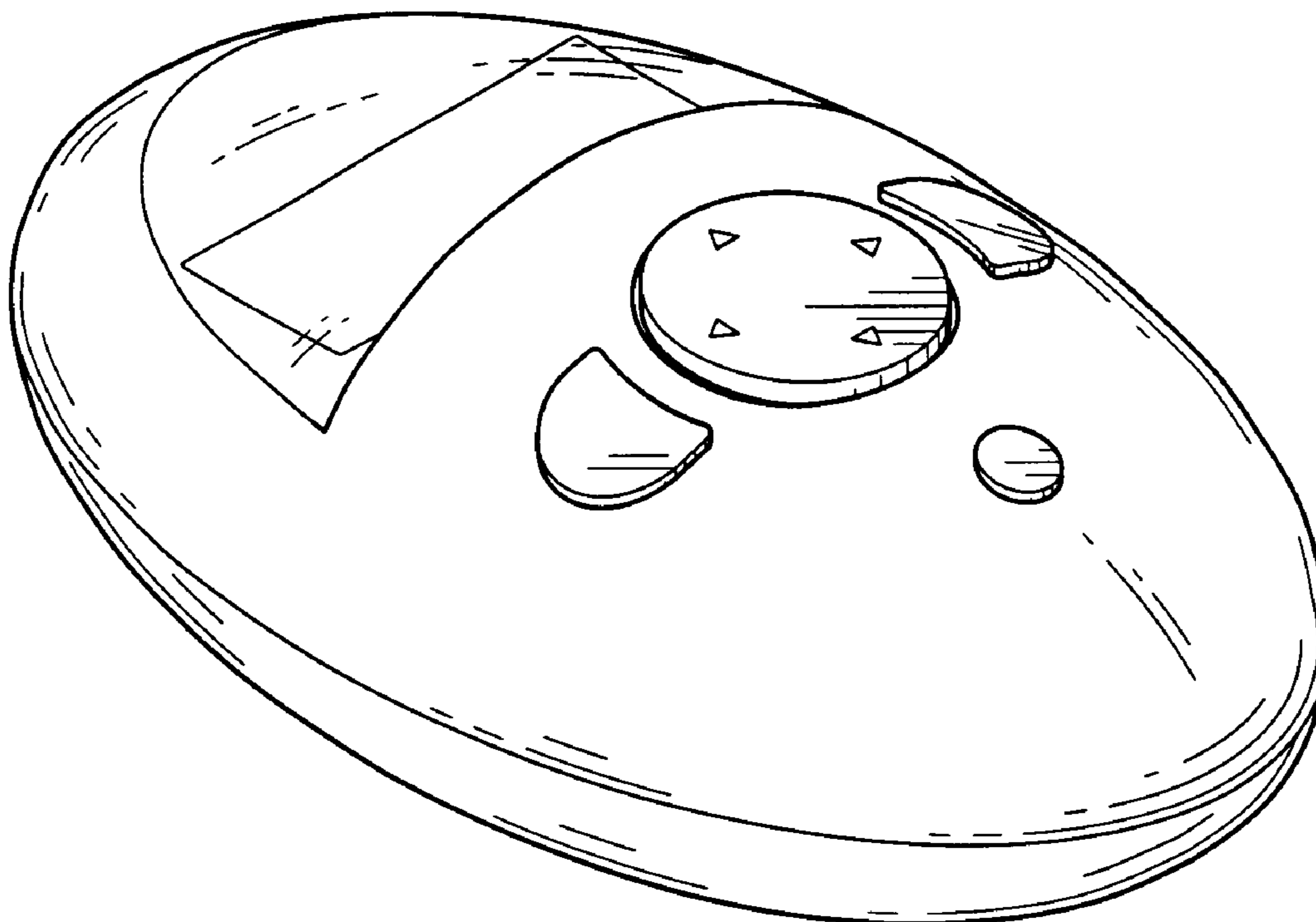
FIG. 4 is a left side elevational view thereof;

FIG. 5 is a right side elevational view thereof;

FIG. 6 is a top plan view thereof; and,

FIG. 7 is a bottom plan view thereof.

1 Claim, 7 Drawing Sheets



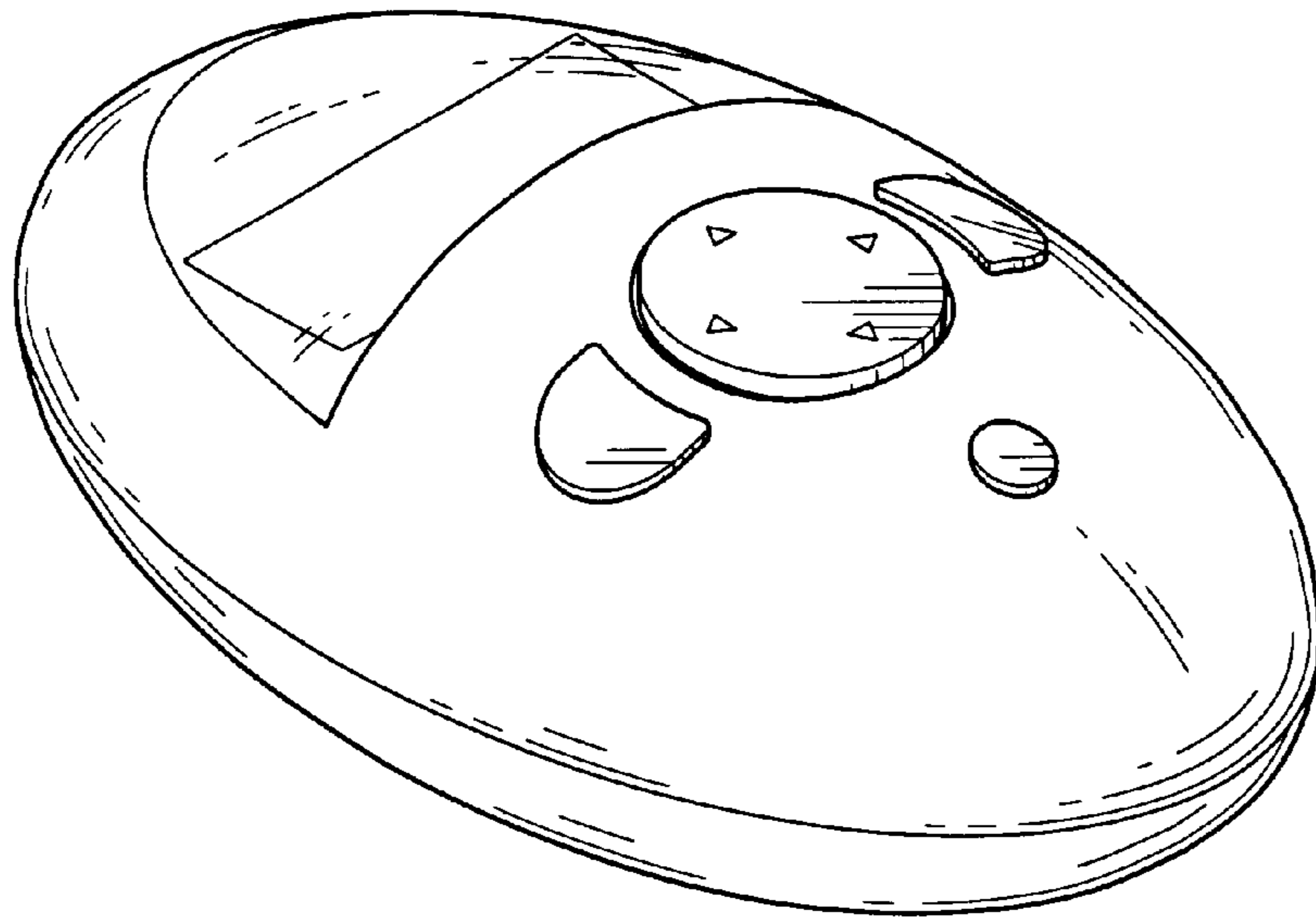


FIG.1

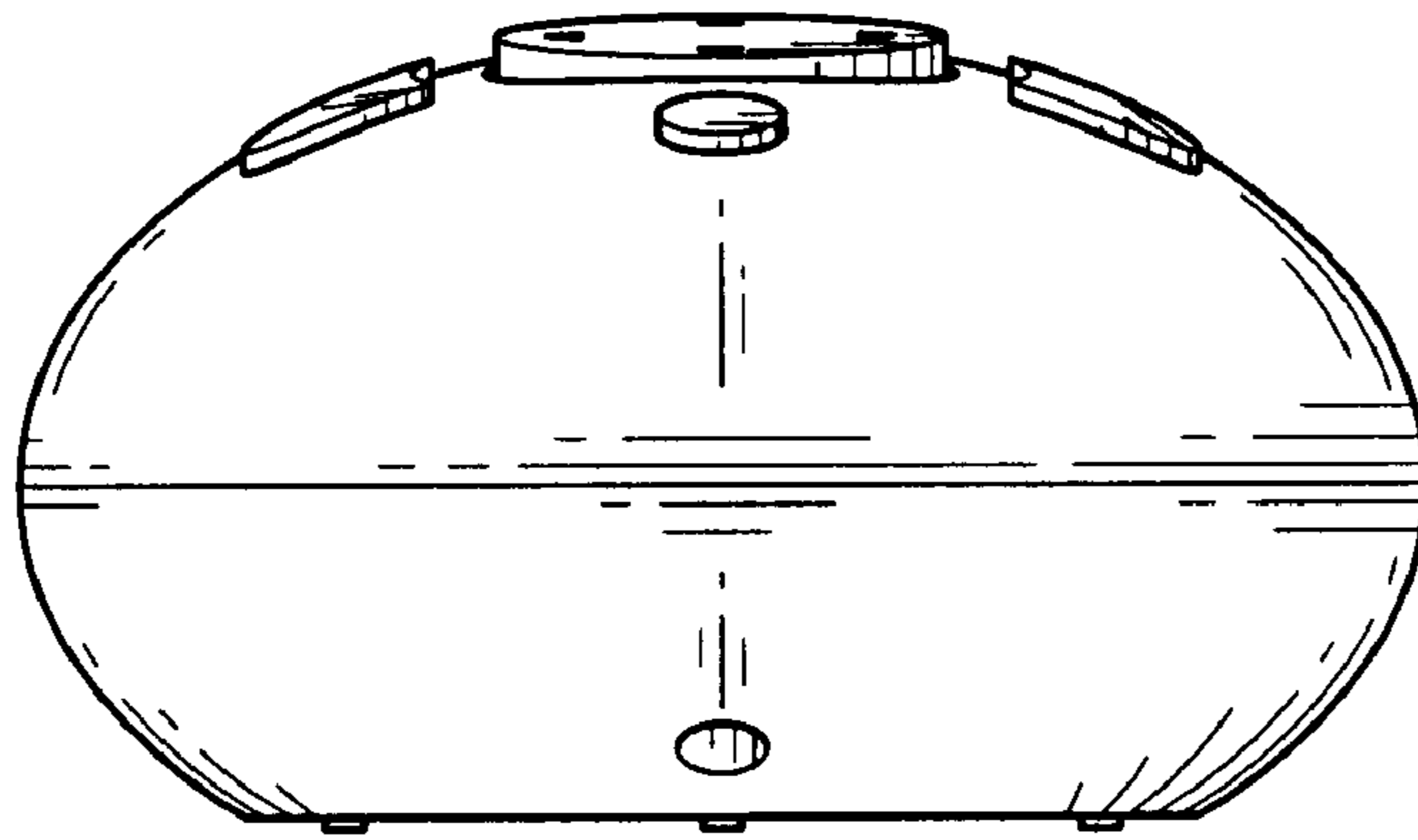


FIG.2

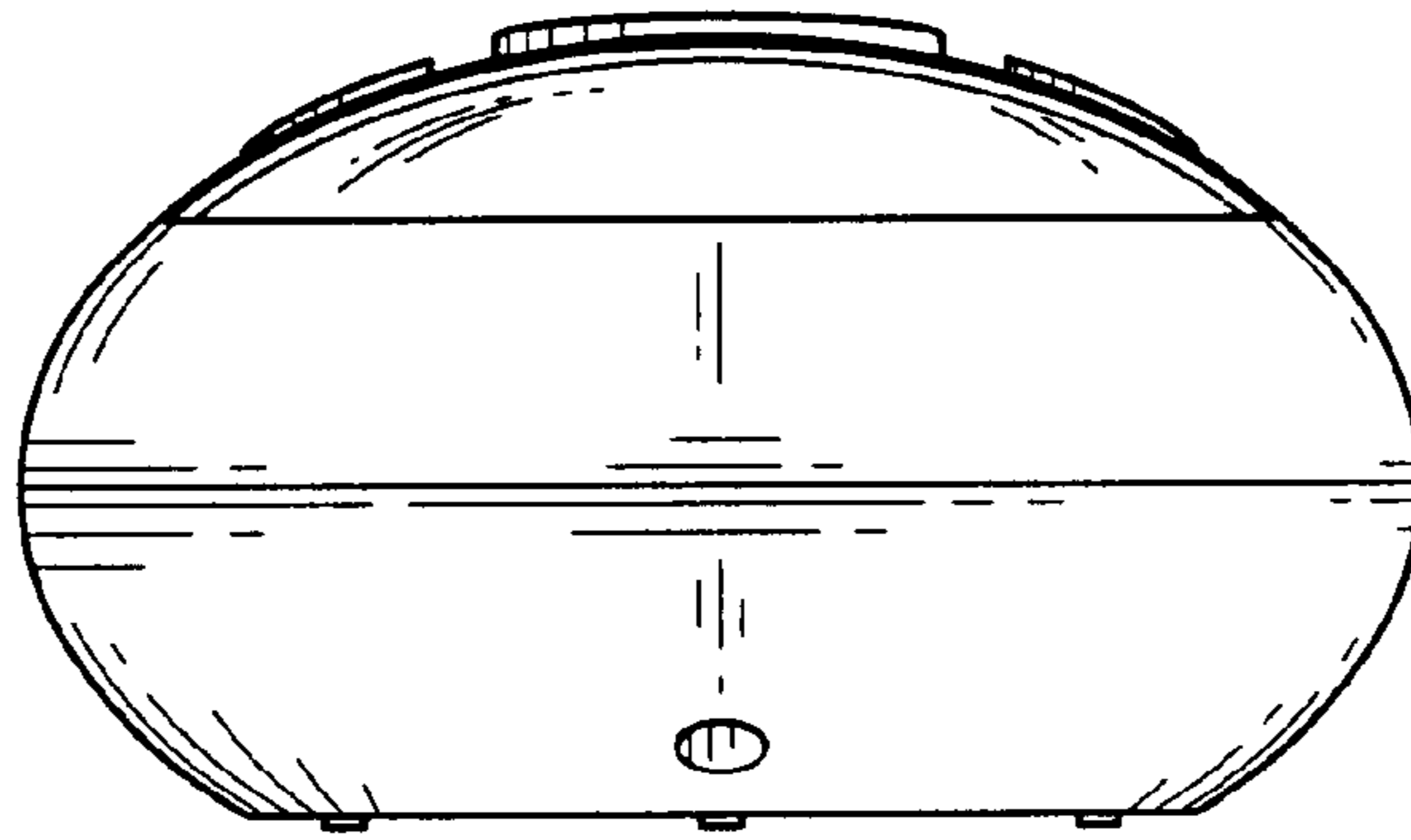


FIG.3

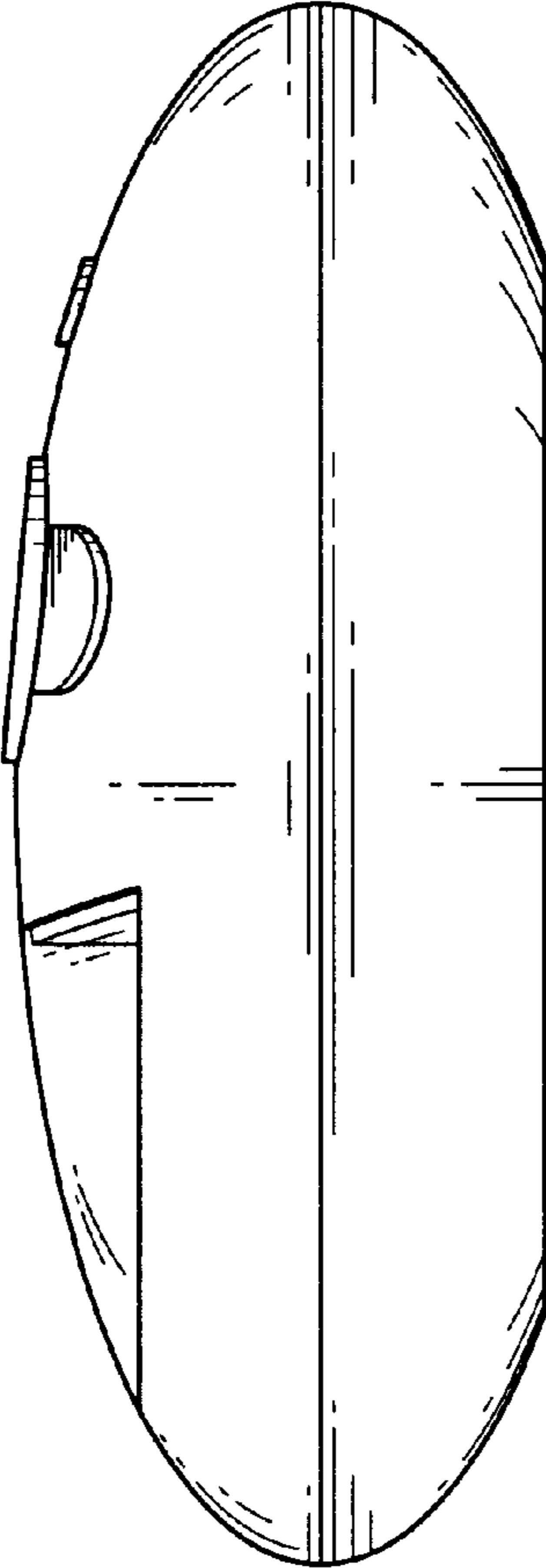


FIG.4

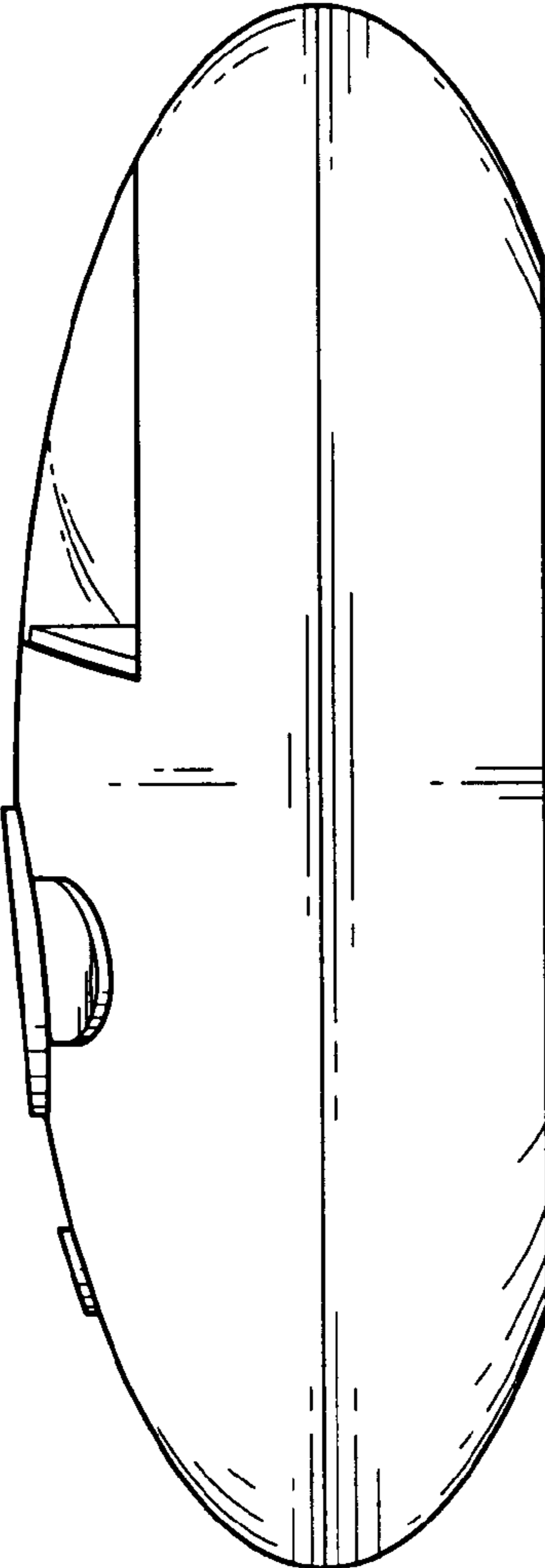


FIG. 5

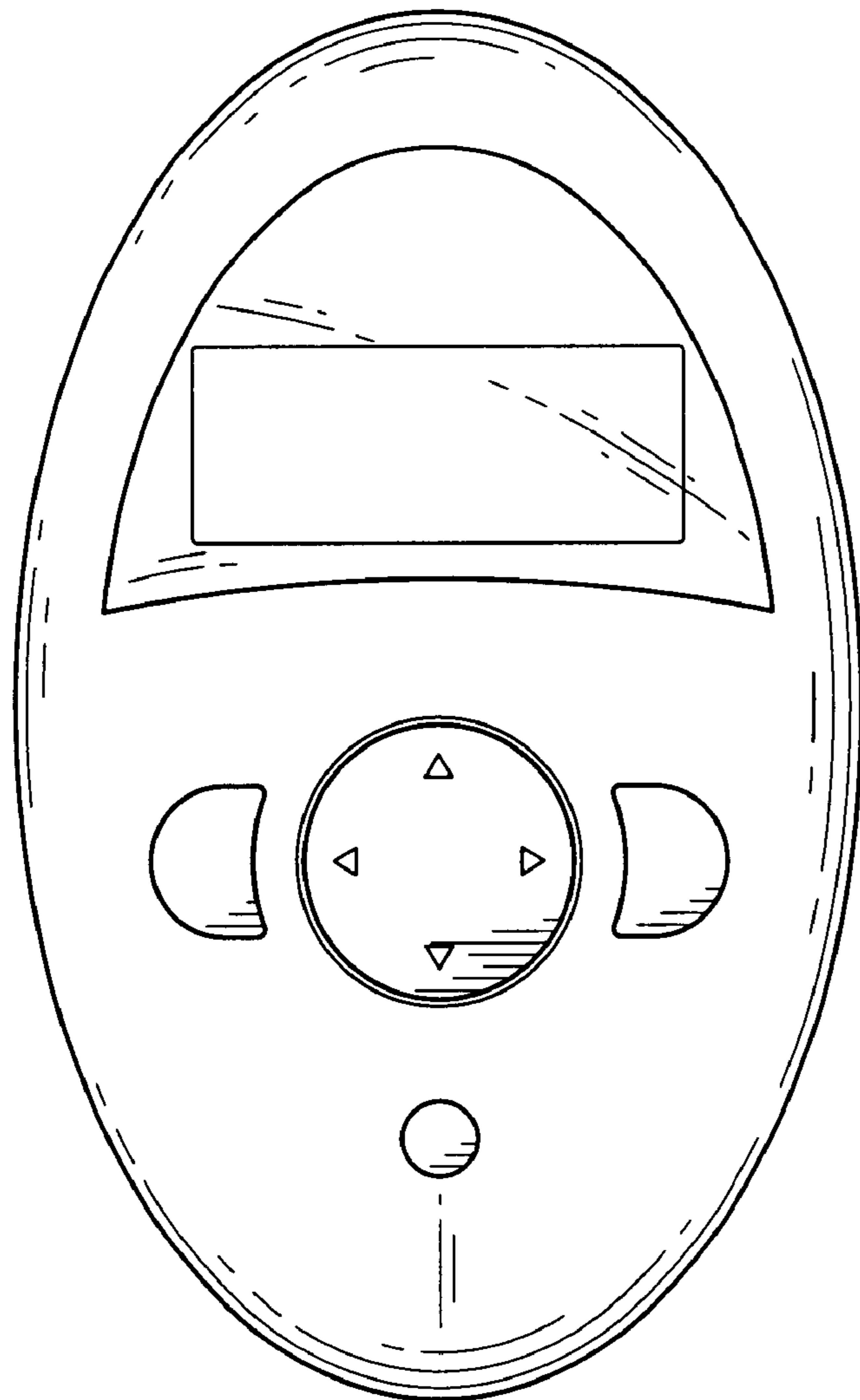


FIG.6

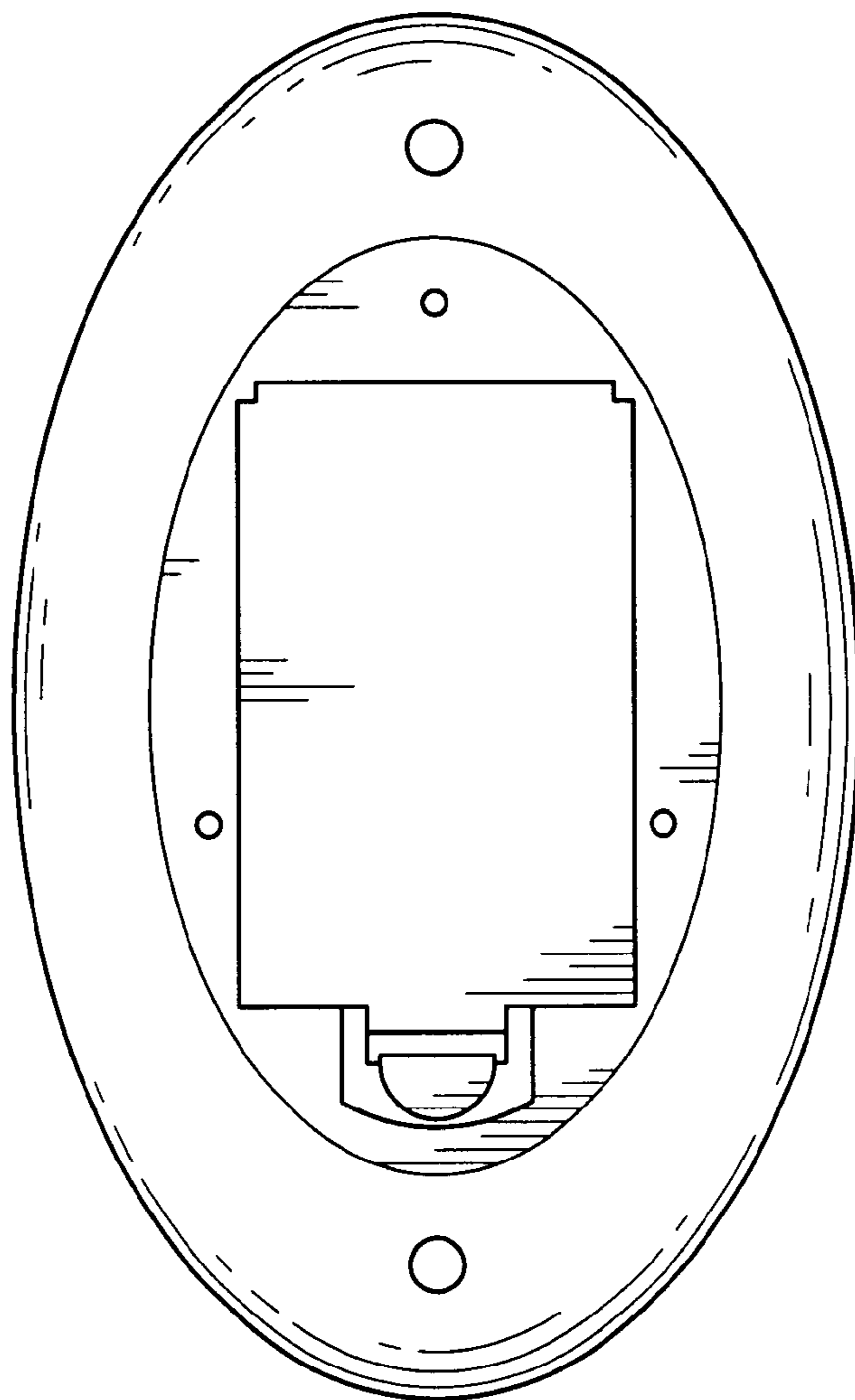


FIG. 7