



US00D526965S

(12) **United States Design Patent**
Chien Chiu

(10) **Patent No.:** **US D526,965 S**

(45) **Date of Patent:** **** Aug. 22, 2006**

(54) **ELECTRICAL CONNECTOR**

(75) Inventor: **Chen Chien Chiu**, Kuantung (CN)

(73) Assignee: **Advanced-Connectek, Inc.**, Taipei (TW)

(**) Term: **14 Years**

(21) Appl. No.: **29/240,003**

(22) Filed: **Oct. 7, 2005**

(51) **LOC (8) Cl.** **13-03**

(52) **U.S. Cl.** **D13/147**

(58) **Field of Classification Search** D13/133,
D13/146-147, 154, 184, 199; 439/76.1, 79,
439/108, 350, 352-354, 357-358, 607-610
See application file for complete search history.

(56) **References Cited**

U.S. PATENT DOCUMENTS

4,854,890	A	*	8/1989	Nishimura	439/607
D367,039	S	*	2/1996	Loh	D13/147
5,752,854	A	*	5/1998	Capp et al.	439/607
5,975,957	A	*	11/1999	Noda et al.	439/609
D434,383	S	*	11/2000	Hu et al.	D13/147

D451,476	S	*	12/2001	Wang et al.	D13/147
D460,050	S	*	7/2002	Haines et al.	D13/147
D462,325	S	*	9/2002	Nakatomi	D13/147
D469,406	S	*	1/2003	Kato et al.	D13/147
6,957,985	B1	*	10/2005	Wang	439/680

* cited by examiner

Primary Examiner—Stella Reid

Assistant Examiner—Daniel Bui

(74) *Attorney, Agent, or Firm*—Chauncey B. Johnson, Esq.;
Johnson & Associates, P.C.

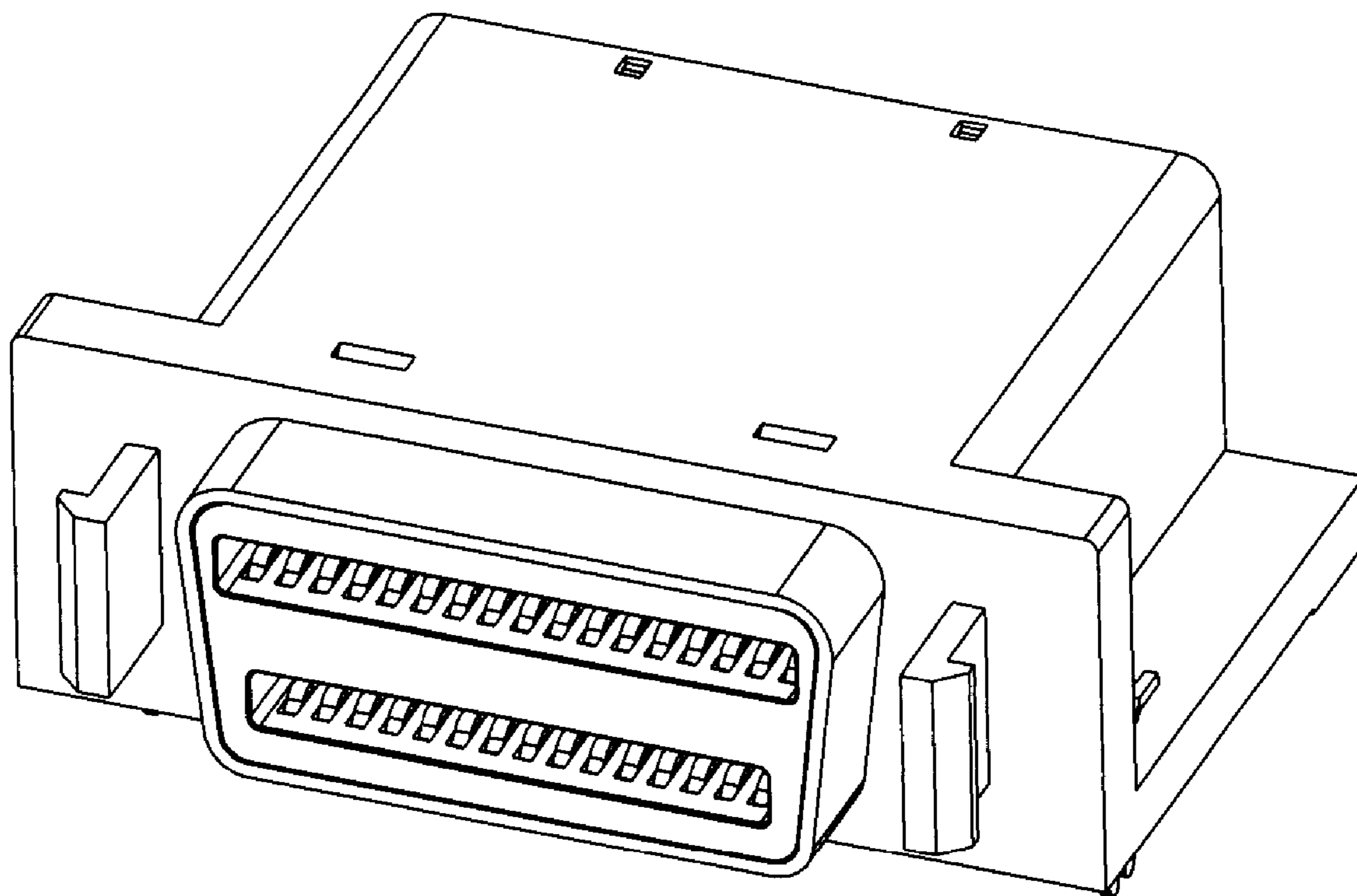
(57) **CLAIM**

The ornamental design for an electrical connector, as shown and described.

DESCRIPTION

FIG. 1 is a perspective view of an electrical connector showing my new design;
FIG. 2 is a front view thereof;
FIG. 3 is a rear view thereof;
FIG. 4 is a left view thereof;
FIG. 5 is a right view thereof;
FIG. 6 is a top view thereof; and,
FIG. 7 is a bottom view thereof.

1 Claim, 4 Drawing Sheets



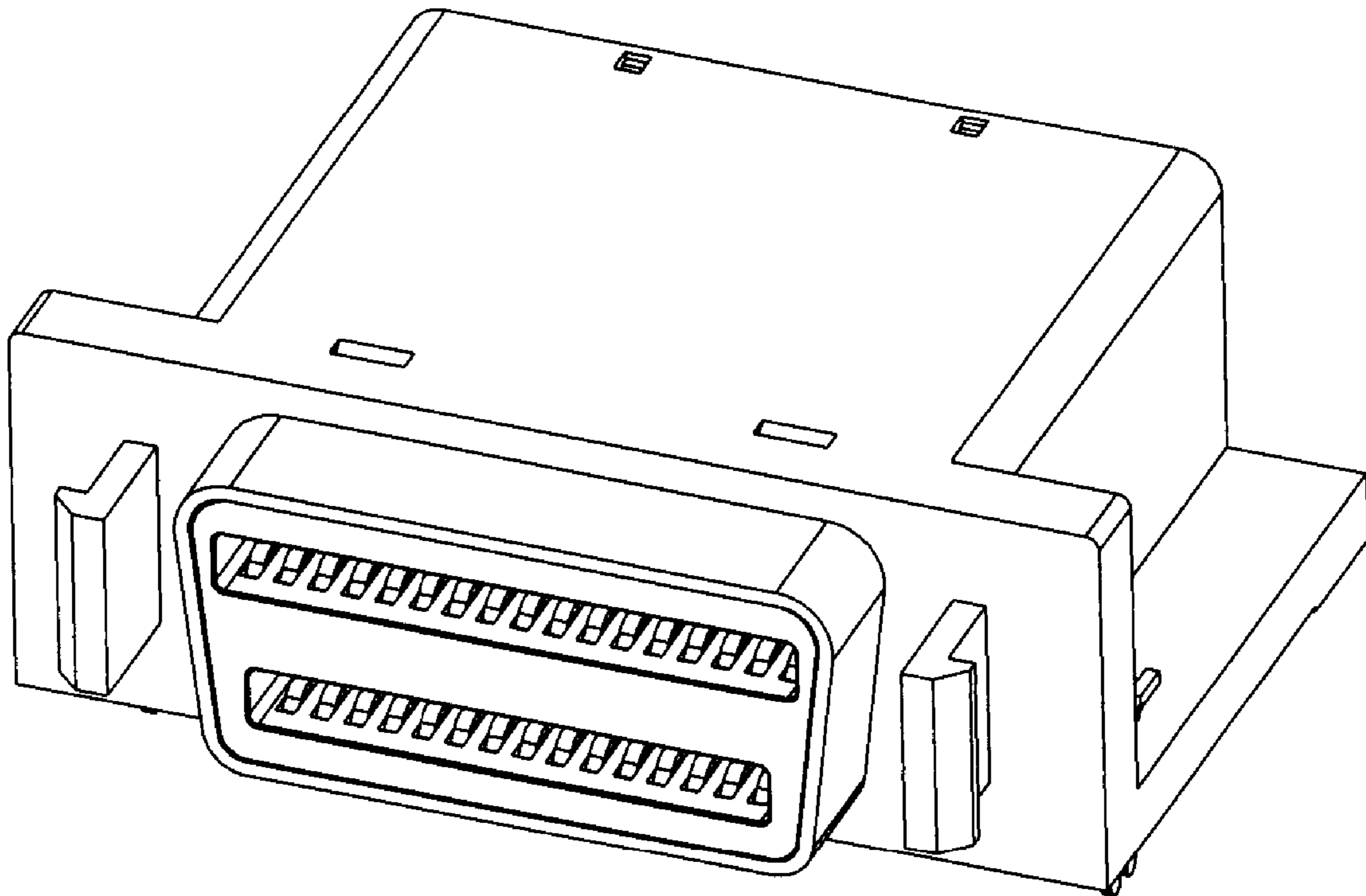


FIG.1

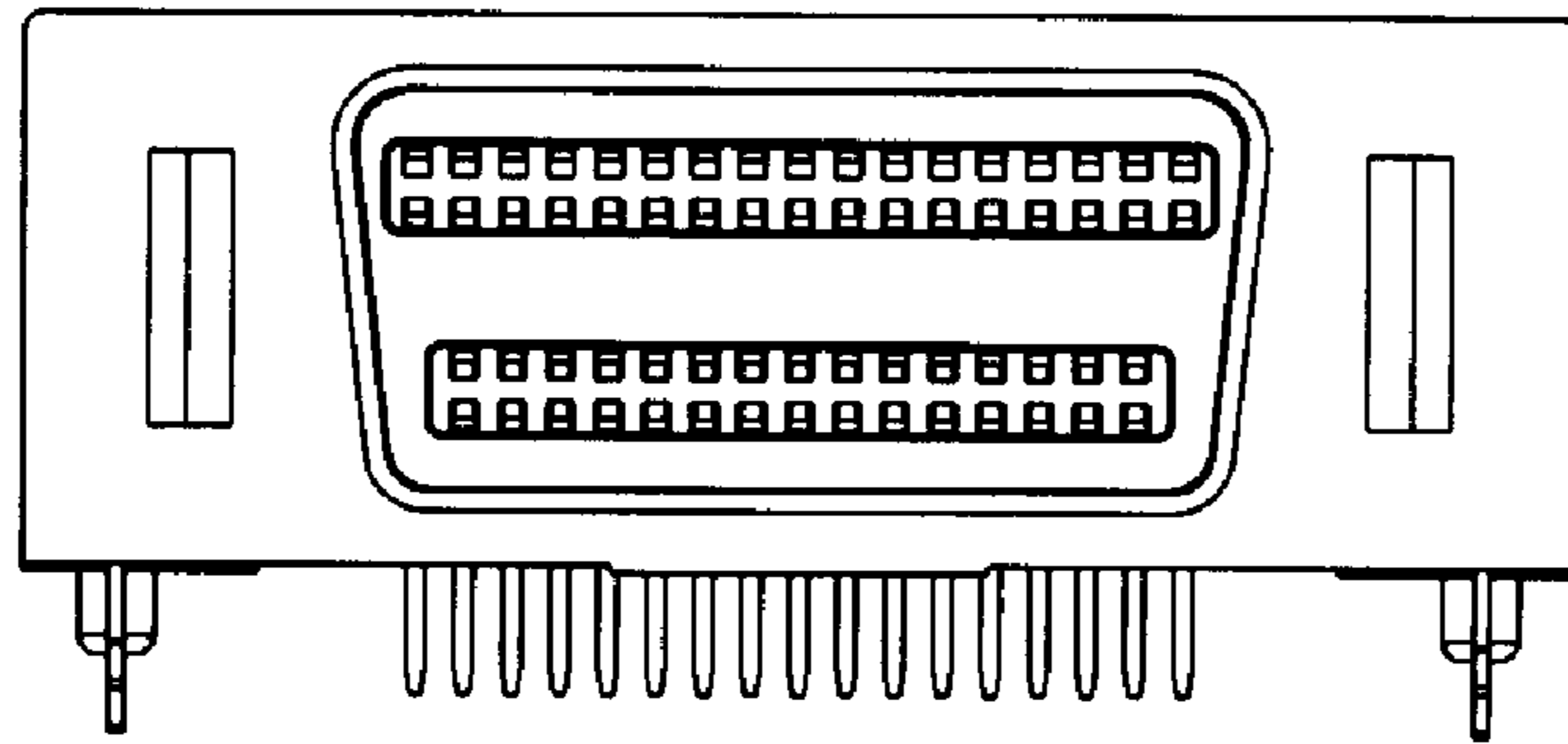


FIG. 2

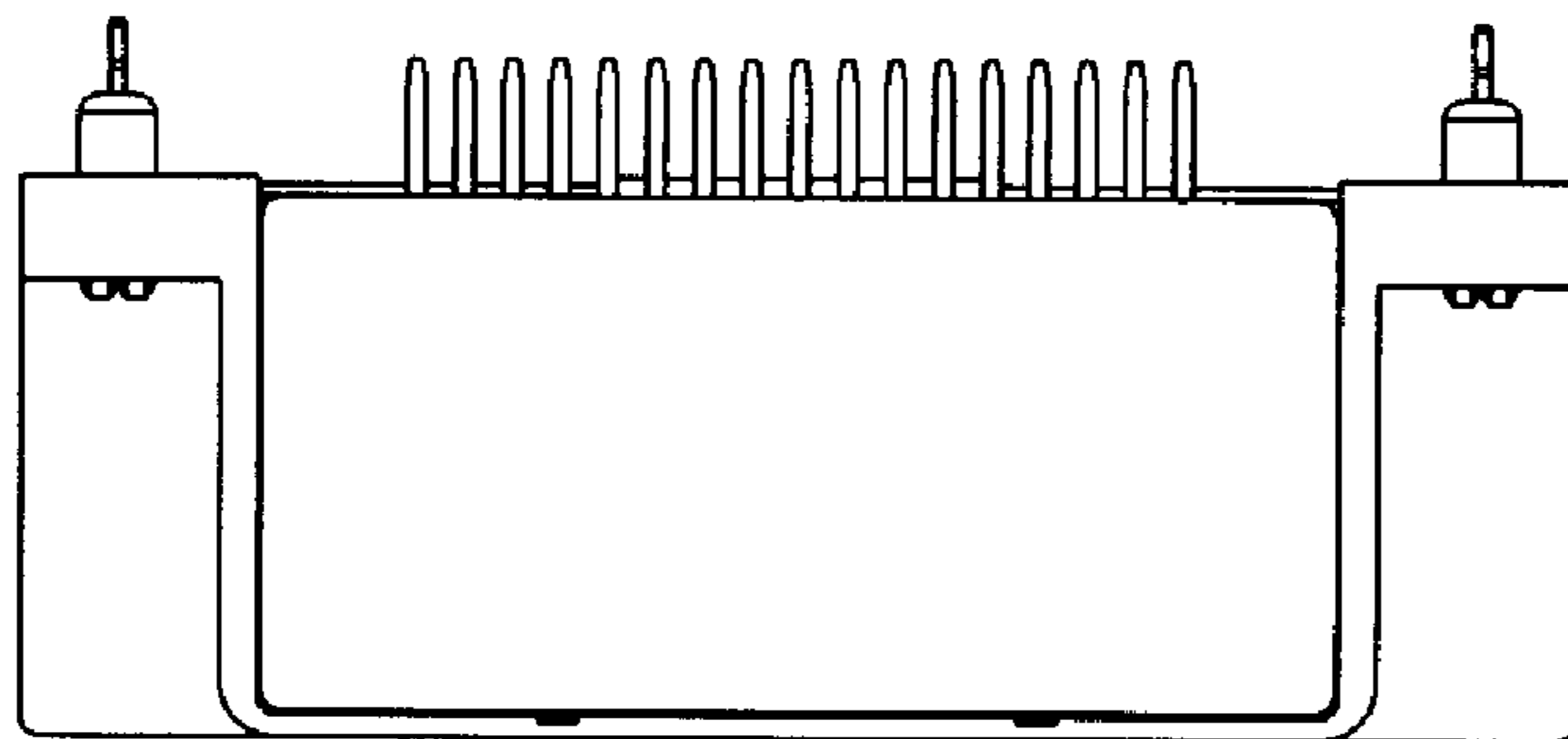


FIG. 3

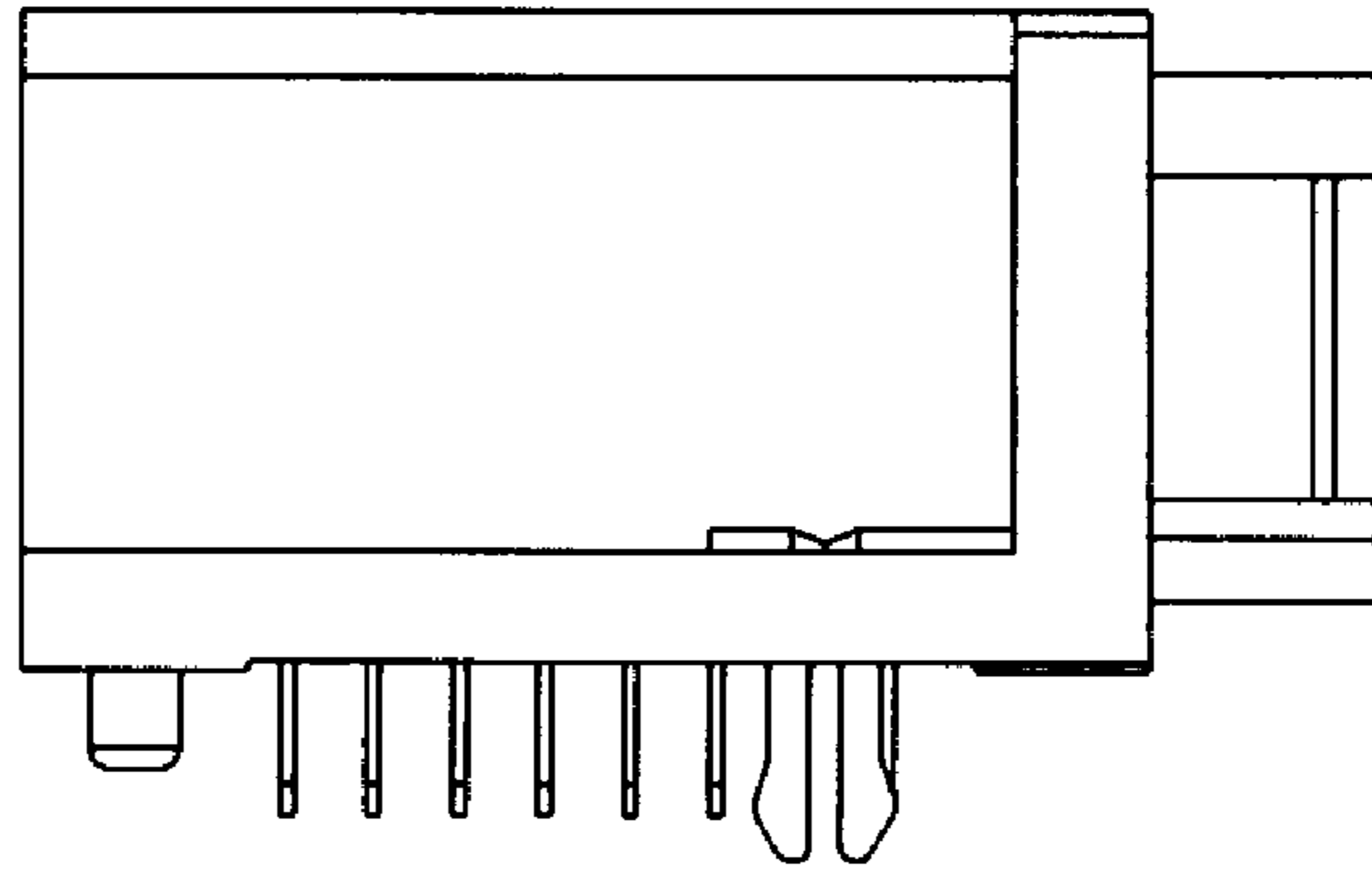


FIG.4

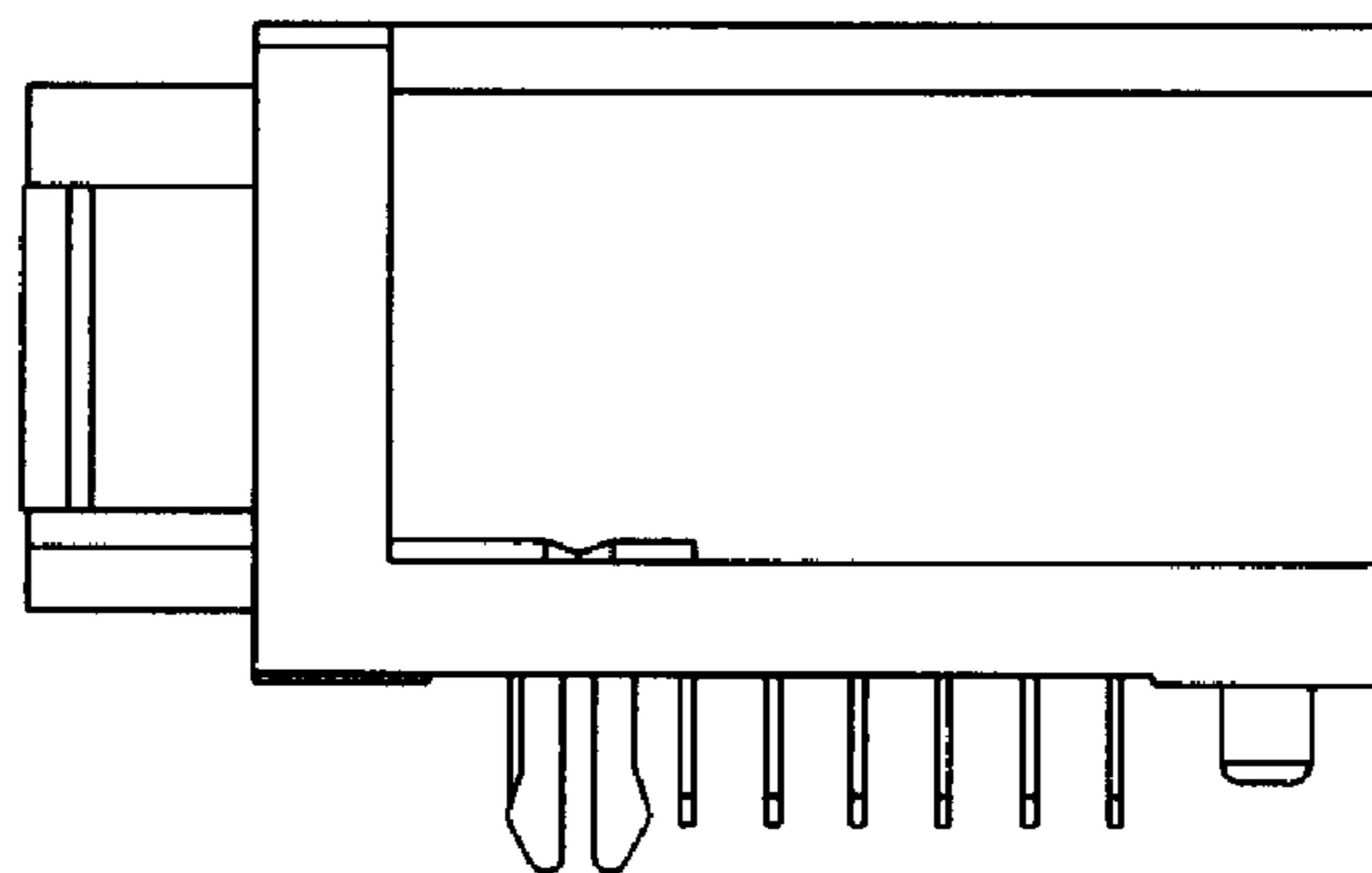


FIG.5

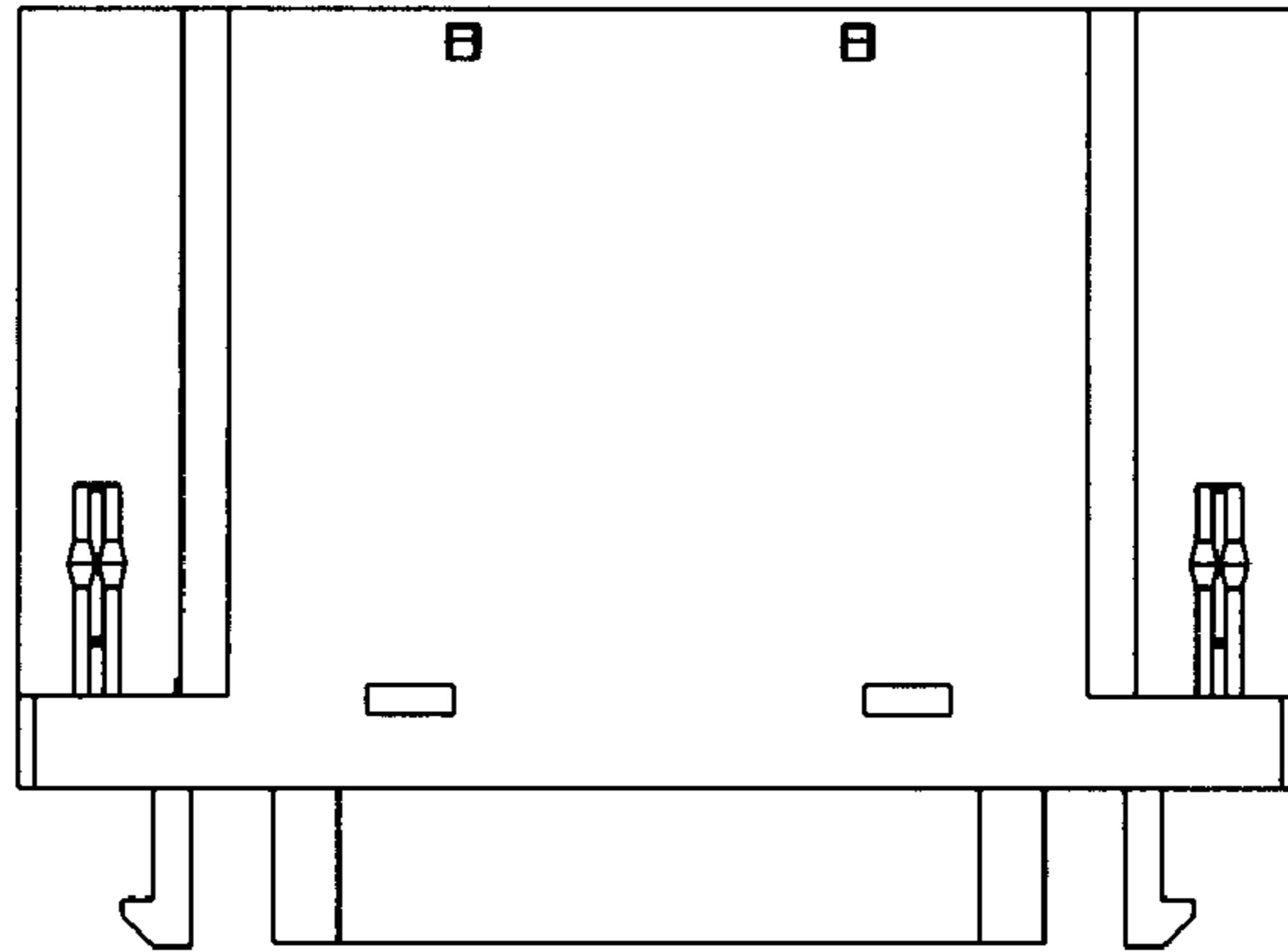


FIG. 6

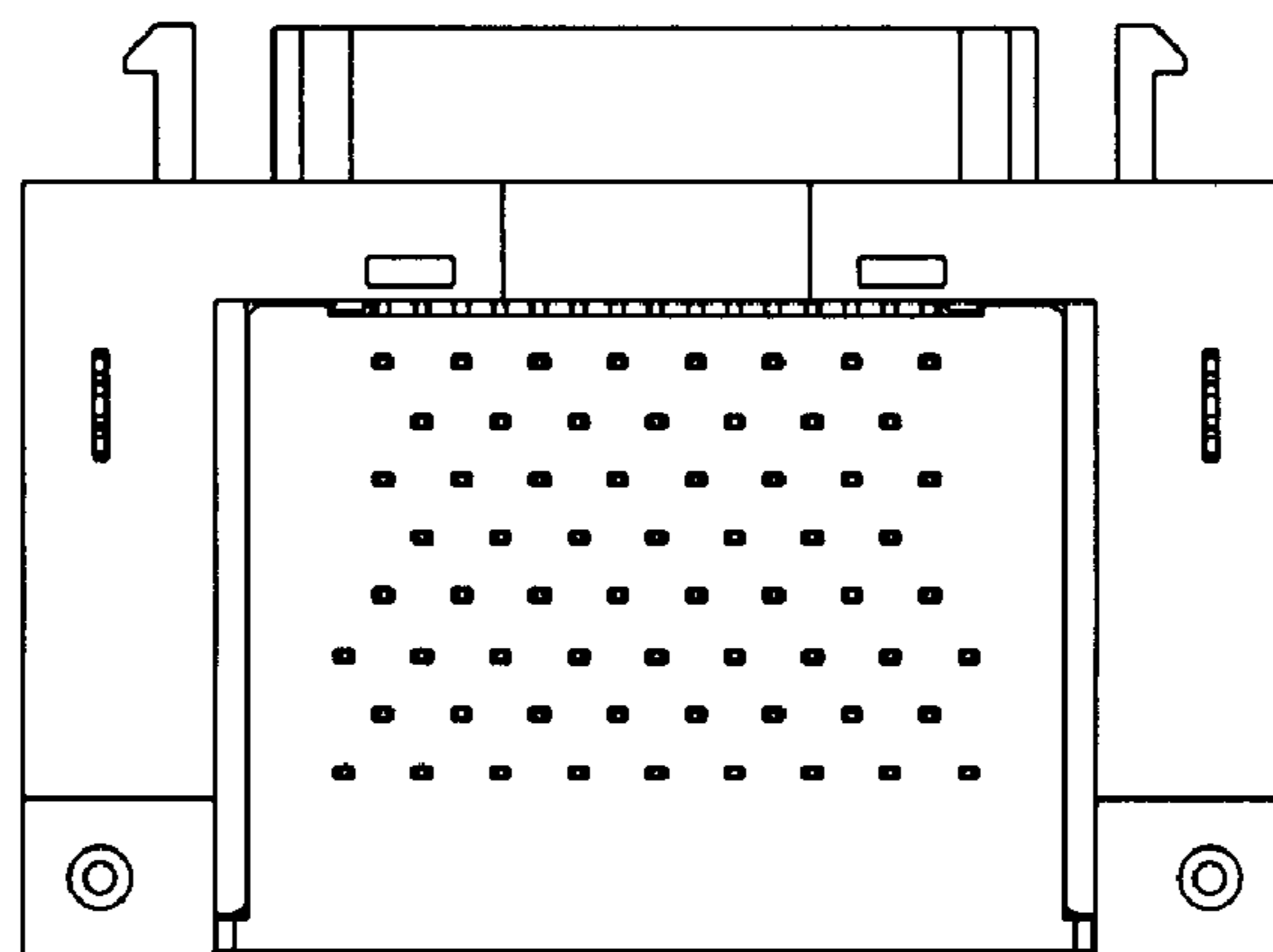


FIG. 7