



US00D526964S

(12) **United States Design Patent**
Chien Chiu

(10) **Patent No.:** **US D526,964 S**

(45) **Date of Patent:** **** Aug. 22, 2006**

(54) **ELECTRICAL CONNECTOR**

(75) Inventor: **Chen Chien Chiu**, Kuantung (CN)

(73) Assignee: **Advanced-Connectek, Inc.**, Taipei (TW)

(**) Term: **14 Years**

(21) Appl. No.: **29/240,000**

(22) Filed: **Oct. 7, 2005**

(51) **LOC (8) Cl.** **13-03**

(52) **U.S. Cl.** **D13/147**

(58) **Field of Classification Search** D13/133,
D13/146-147, 154, 184, 199; 439/76.1, 79,
439/108, 350, 352-354, 357-358, 607-610
See application file for complete search history.

(56) **References Cited**

U.S. PATENT DOCUMENTS

5,066,240 A * 11/1991 Verdun 439/181
D332,599 S * 1/1993 Kikuta et al. D13/147
5,219,294 A * 6/1993 Marsh et al. 439/79
D367,263 S * 2/1996 Nakamura D13/147

D407,690 S * 4/1999 Lai et al. D13/147
D410,897 S * 6/1999 Huang D13/147
D414,161 S * 9/1999 Huang D13/147
D421,420 S * 3/2000 Wu D13/147

* cited by examiner

Primary Examiner—Stella Reid

Assistant Examiner—Daniel Bui

(74) *Attorney, Agent, or Firm*—Chauncey B. Johnson, Esq.;
Johnson & Associates, P.C.

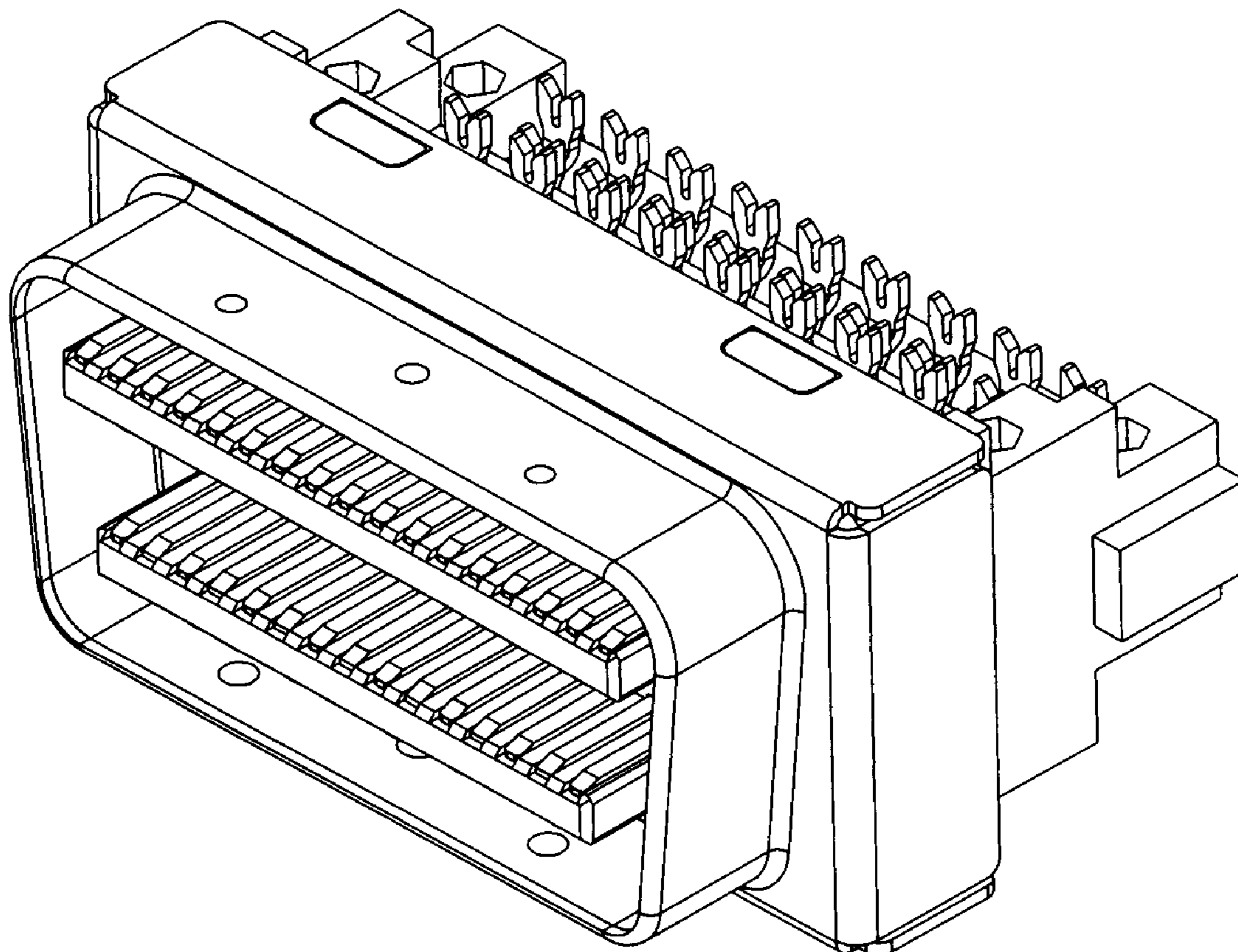
(57) **CLAIM**

The ornamental design for an electrical connector, as shown and described.

DESCRIPTION

FIG. 1 is a perspective view of an electrical connector showing my new design;
FIG. 2 is a front view thereof;
FIG. 3 is a rear view thereof;
FIG. 4 is a left view thereof;
FIG. 5 is a right view thereof;
FIG. 6 is a top view thereof; and,
FIG. 7 is a bottom view thereof.

1 Claim, 4 Drawing Sheets



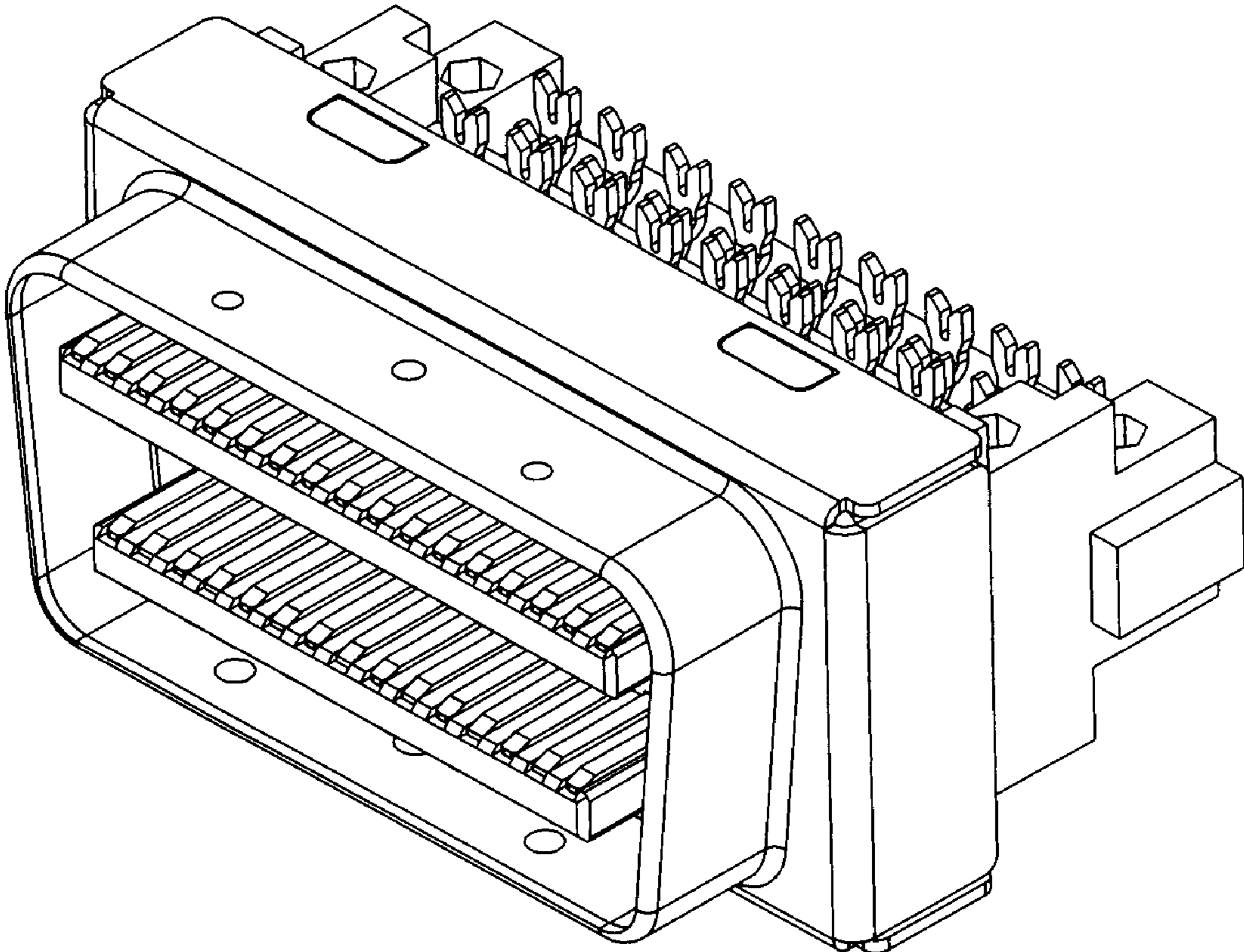


FIG.1

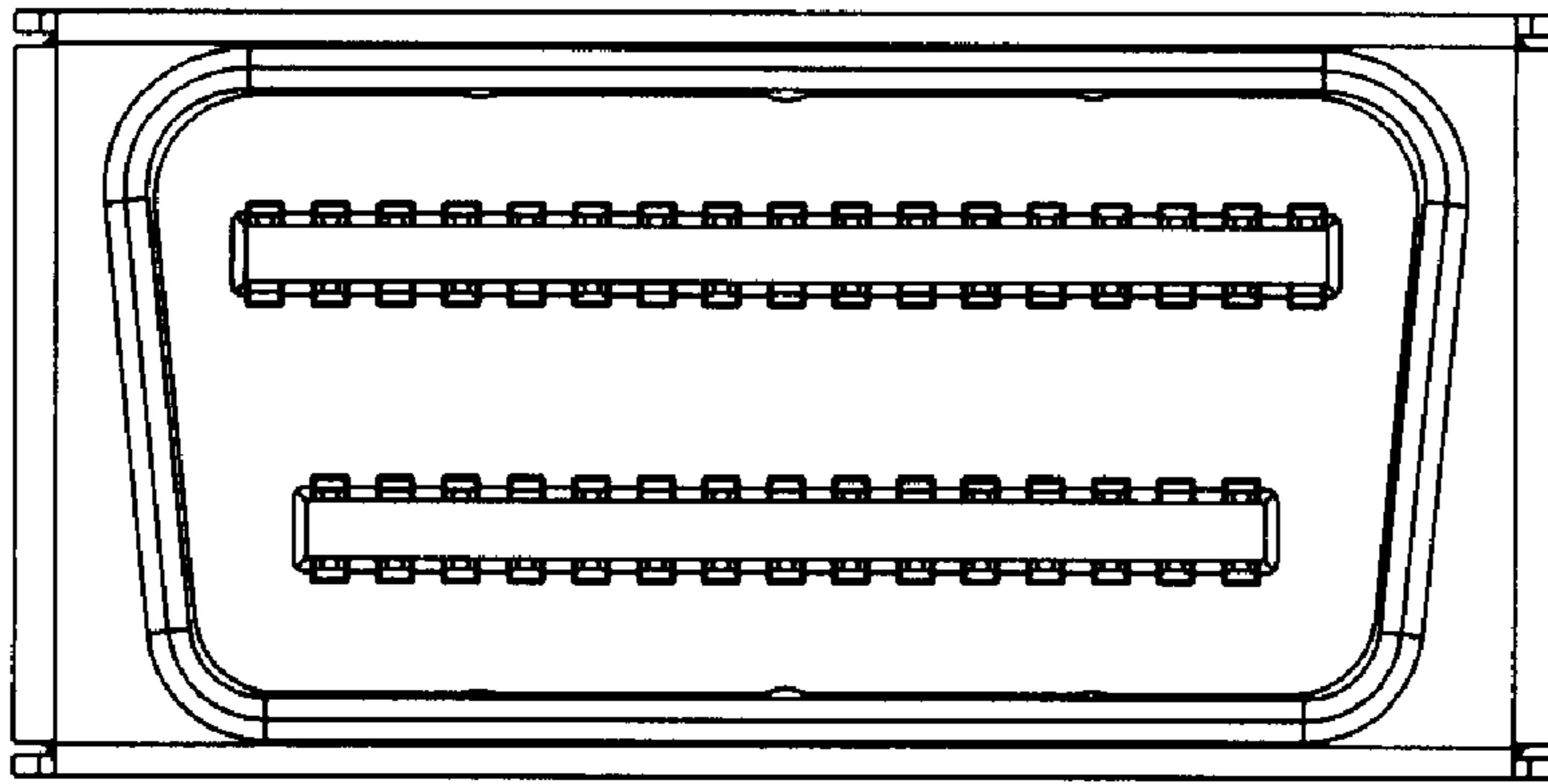


FIG. 2

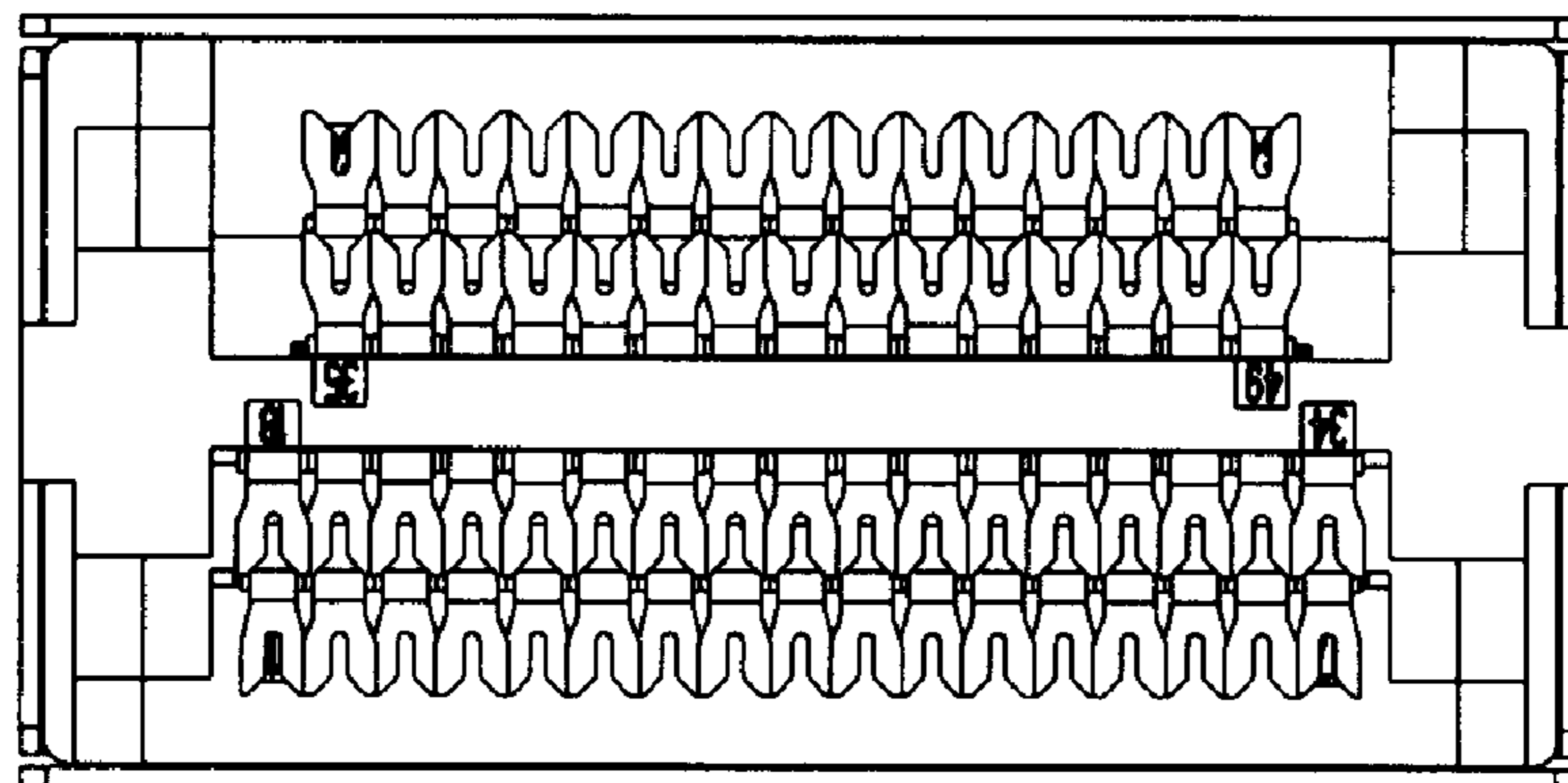


FIG. 3

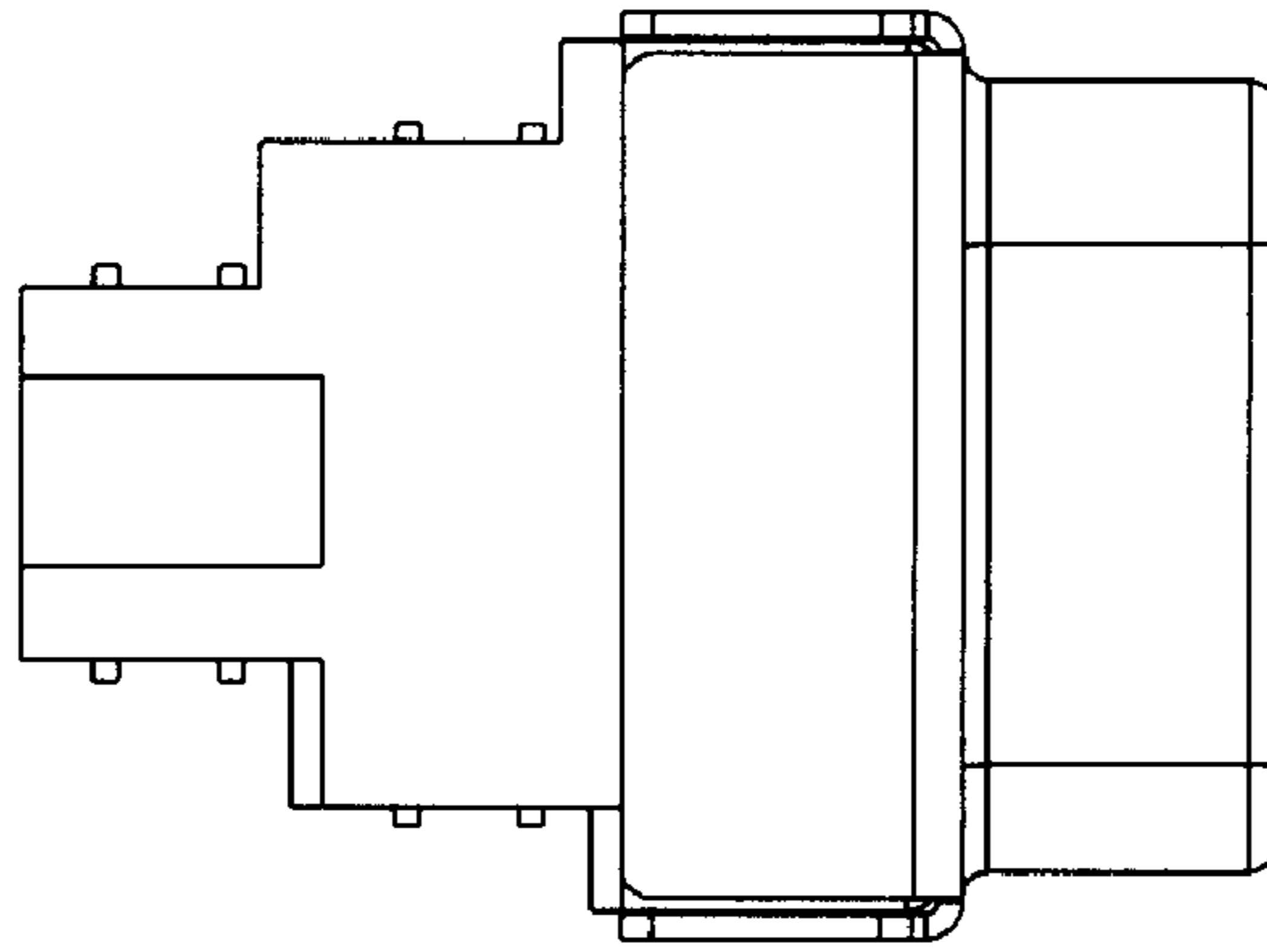


FIG.4

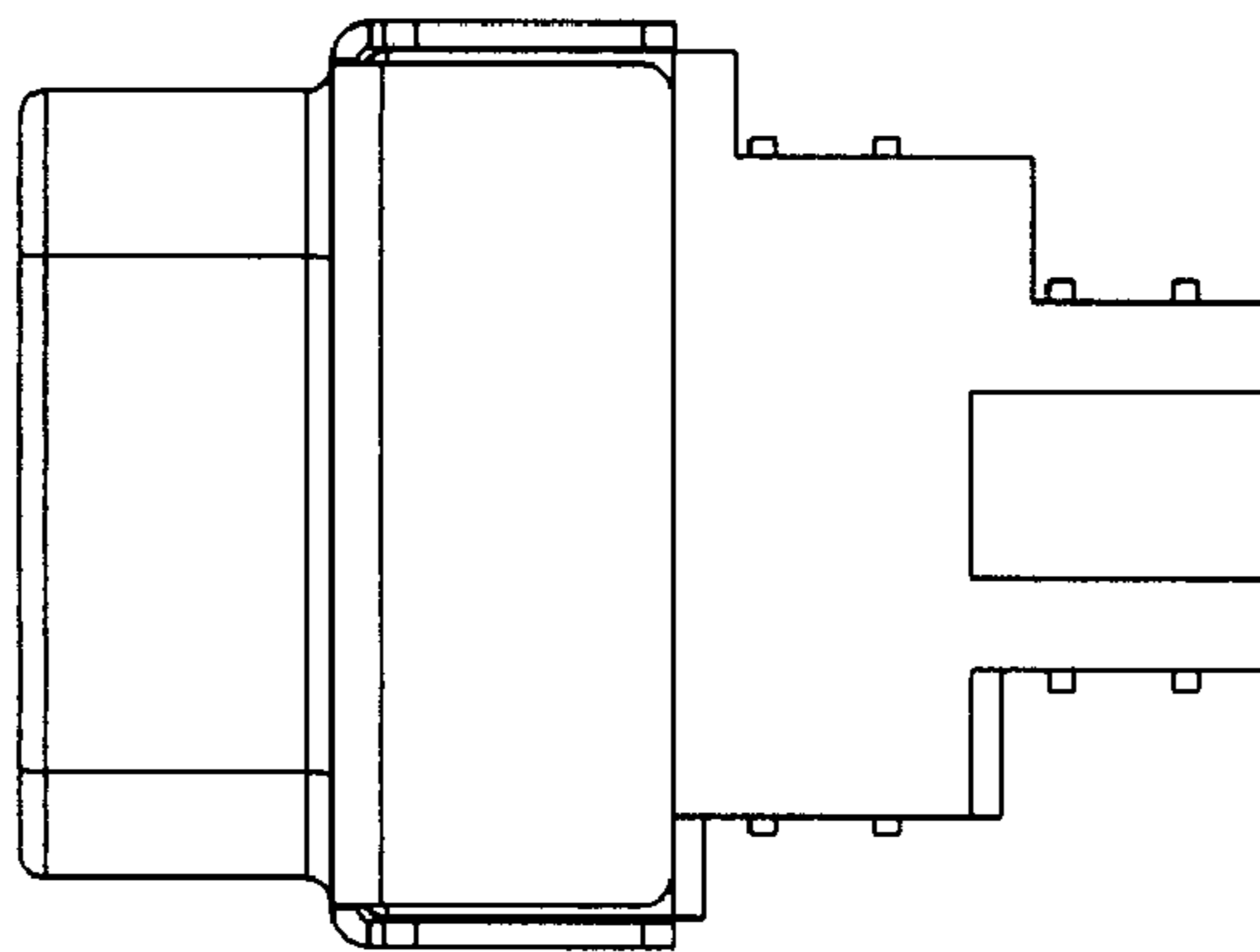


FIG.5

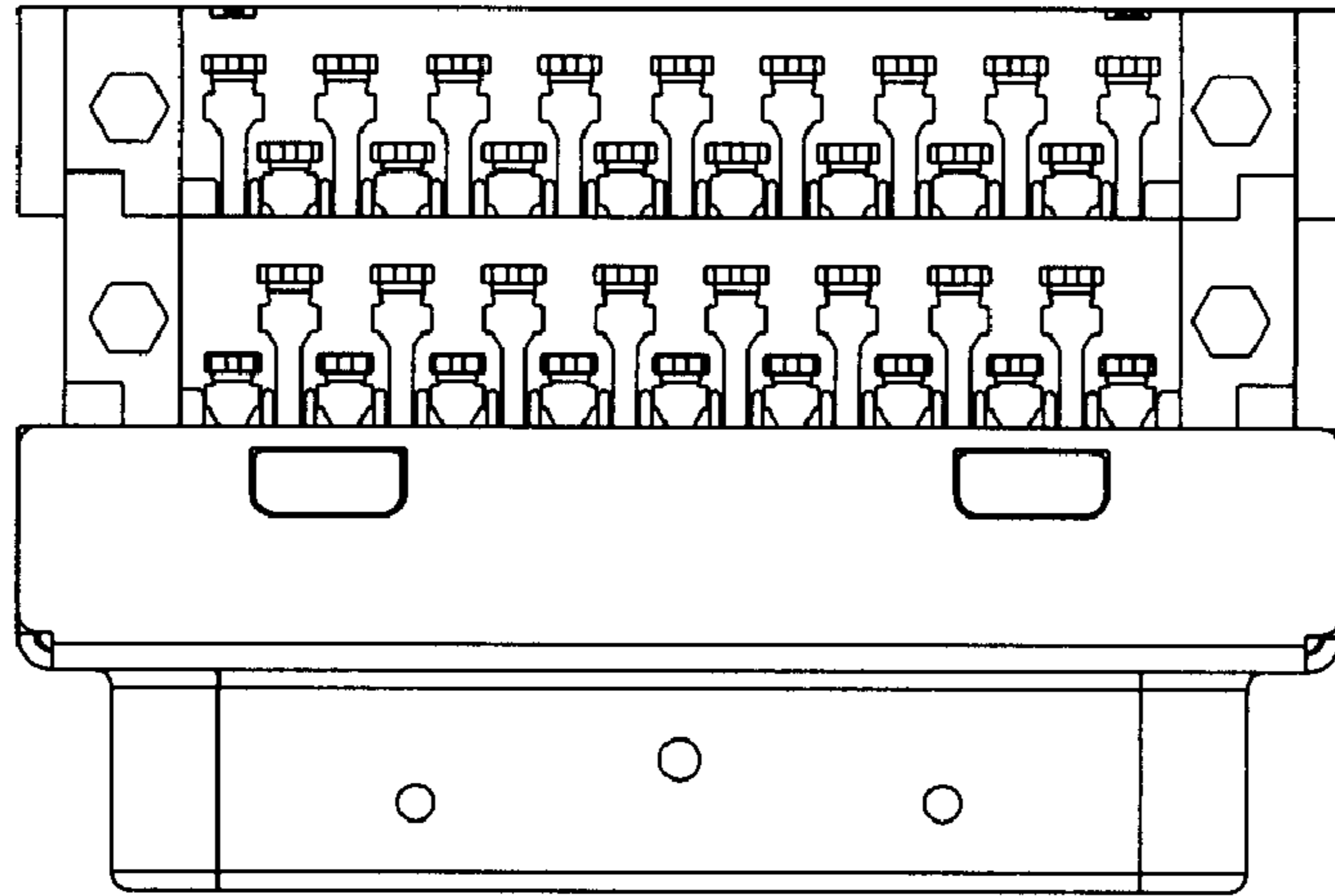


FIG. 6

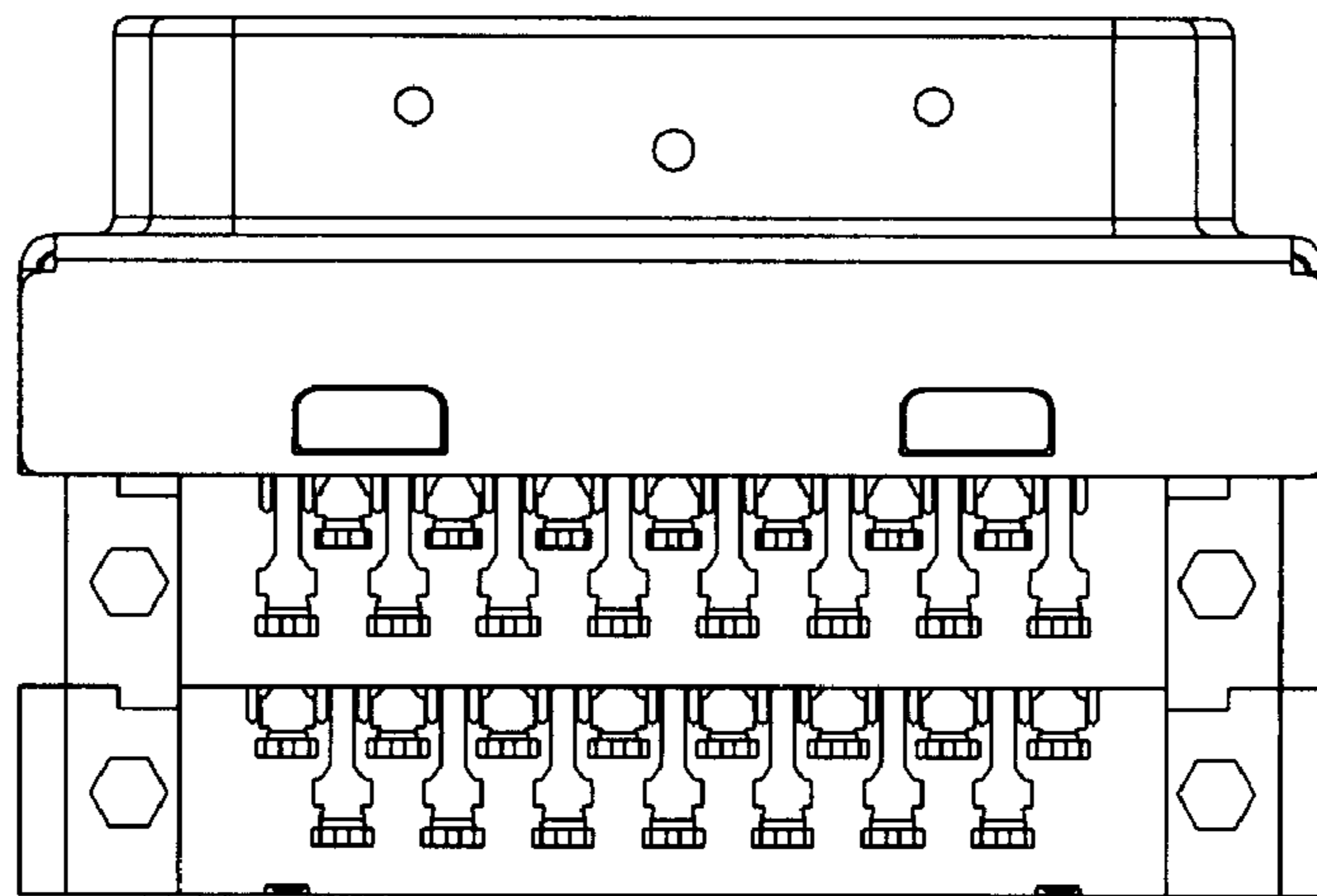


FIG. 7