

US00D526963S

(12) **United States Design Patent**
Morita et al.

(10) **Patent No.:** **US D526,963 S**

(45) **Date of Patent:** **** Aug. 22, 2006**

(54) **HOUSING FOR AN ELECTRIC CONNECTOR**

(75) Inventors: **Makoto Morita**, Aichi (JP); **Kinji Nakamura**, Aichi (JP); **Eiji Takeda**, Aichi (JP)

(73) Assignee: **J.S.T. Mfg. Co., Ltd.**, Osaka (JP)

(**) Term: **14 Years**

(21) Appl. No.: **29/209,034**

(22) Filed: **Jul. 12, 2004**

(30) **Foreign Application Priority Data**

Jan. 19, 2004 (JP) 2004-001089
Jan. 19, 2004 (JP) 2004-001087

(51) **LOC (8) Cl.** **13-03**

(52) **U.S. Cl.** **D13/147**

(58) **Field of Classification Search** D13/133,
D13/146-147, 154, 184, 199; 385/55, 59-60,
385/71, 78, 80, 83, 89-91; 439/353, 358,
439/660, 682

See application file for complete search history.

(56) **References Cited**

U.S. PATENT DOCUMENTS

D200,645 S * 3/1965 Schumacher D13/146
D203,502 S * 1/1966 Dell et al. D13/147
3,366,729 A * 1/1968 Pauza 174/138 R

3,399,374 A * 8/1968 Pauza et al. 439/355
D216,888 S * 3/1970 Kunkle et al. D13/147
D241,941 S * 10/1976 Sheesley et al. D14/256
4,984,998 A * 1/1991 Duncan et al. 439/352
D323,485 S * 1/1992 Ohkura et al. D13/147
D324,033 S * 2/1992 Kuzuno et al. D13/147
D439,221 S * 3/2001 Corona D13/146
6,257,917 B1 * 7/2001 Hyzin 439/358
D449,583 S * 10/2001 Goto D13/154

* cited by examiner

Primary Examiner—Stella Reid

Assistant Examiner—Daniel Bui

(74) *Attorney, Agent, or Firm*—Rabin & Berdo, PC

(57) **CLAIM**

The ornamental design for a housing for an electric connector, as shown and described.

DESCRIPTION

FIG. 1 is a perspective view of a housing for an electric connector showing our new design;

FIG. 2 is a top plan view;

FIG. 3 is a bottom plan view;

FIG. 4 is a front elevation view;

FIG. 5 is a right side view, a left side view thereof being a mirror image; and,

FIG. 6 is a rear elevation view.

1 Claim, 2 Drawing Sheets

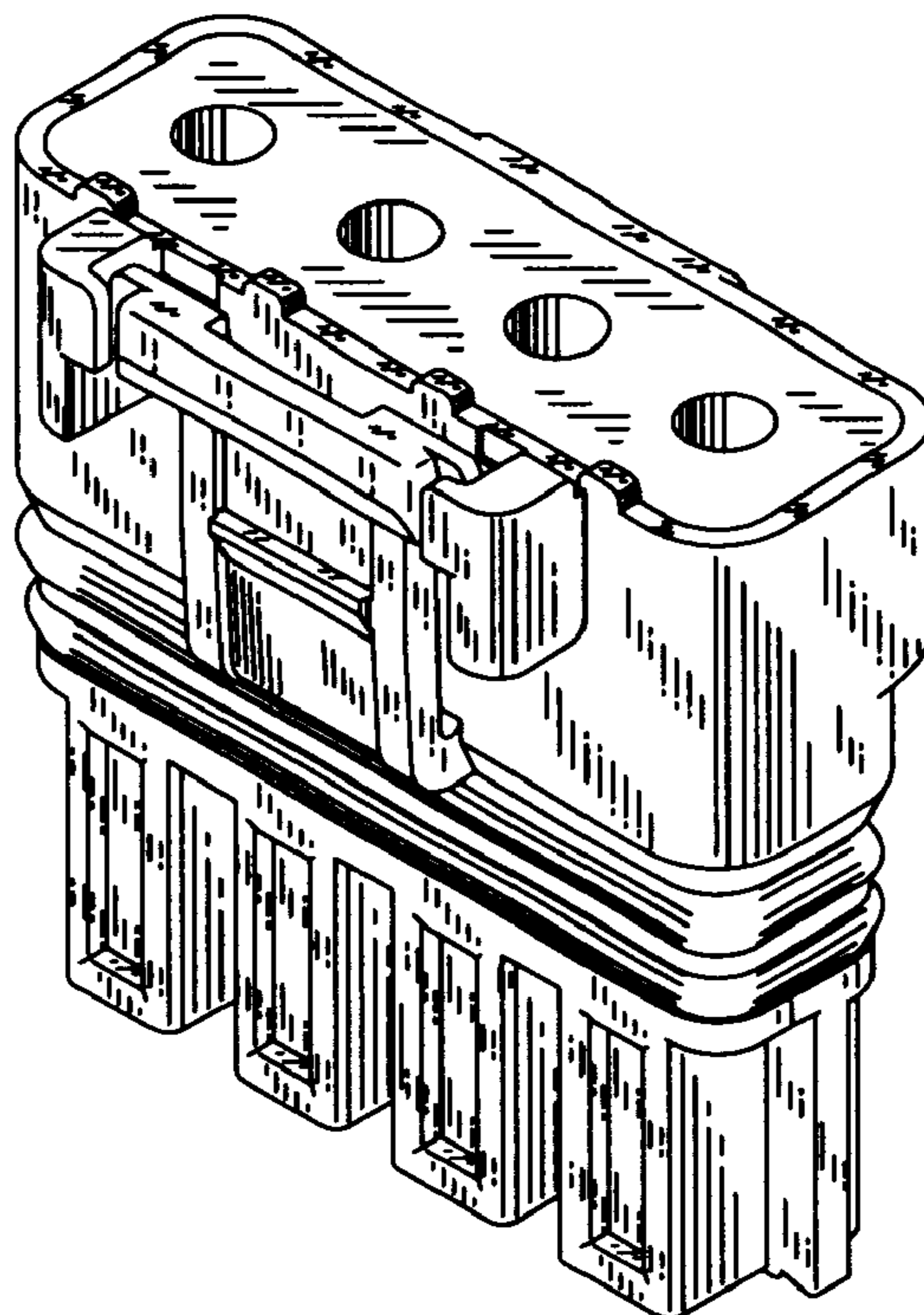


FIG. 1

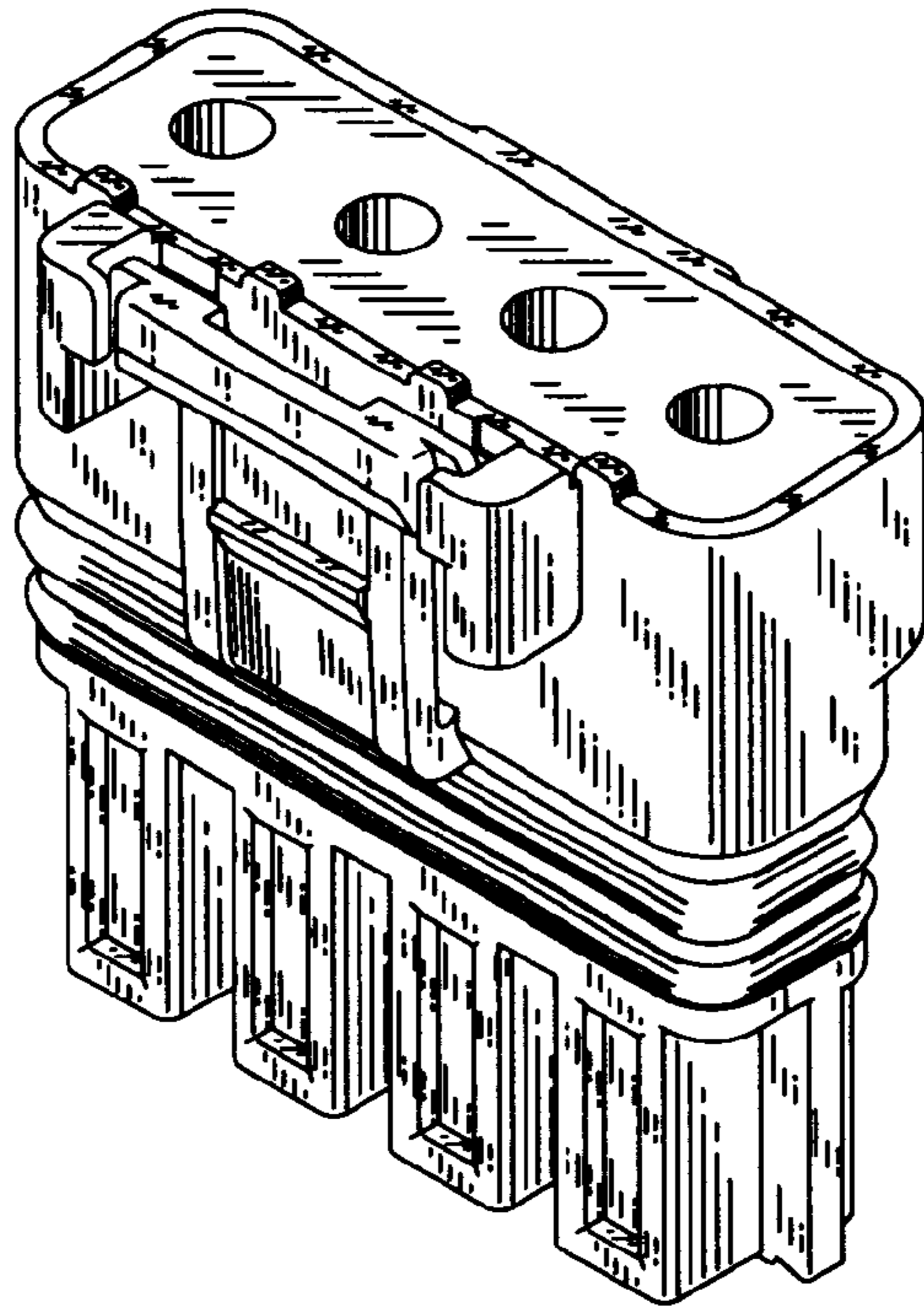


FIG. 2

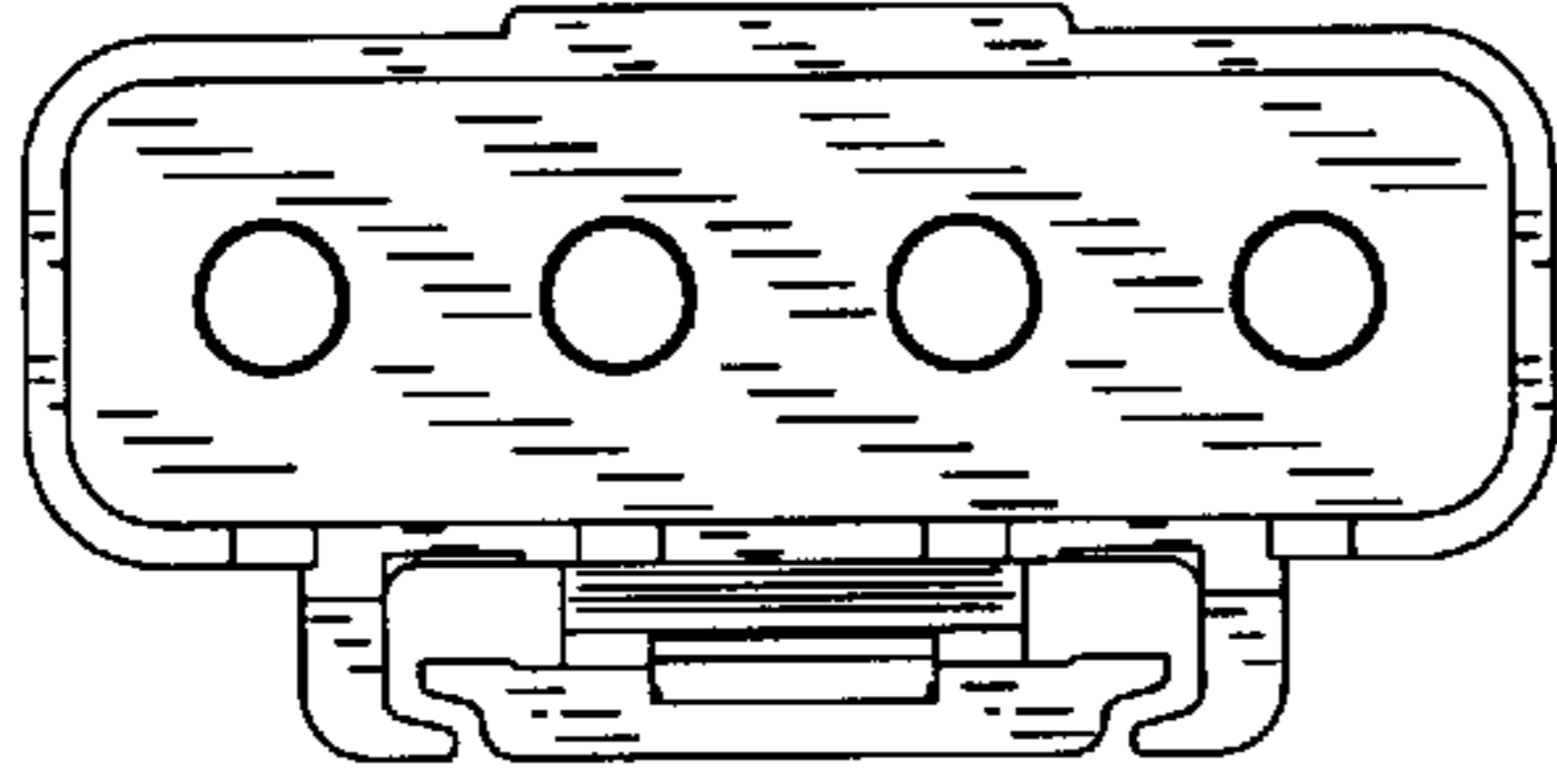


FIG. 3

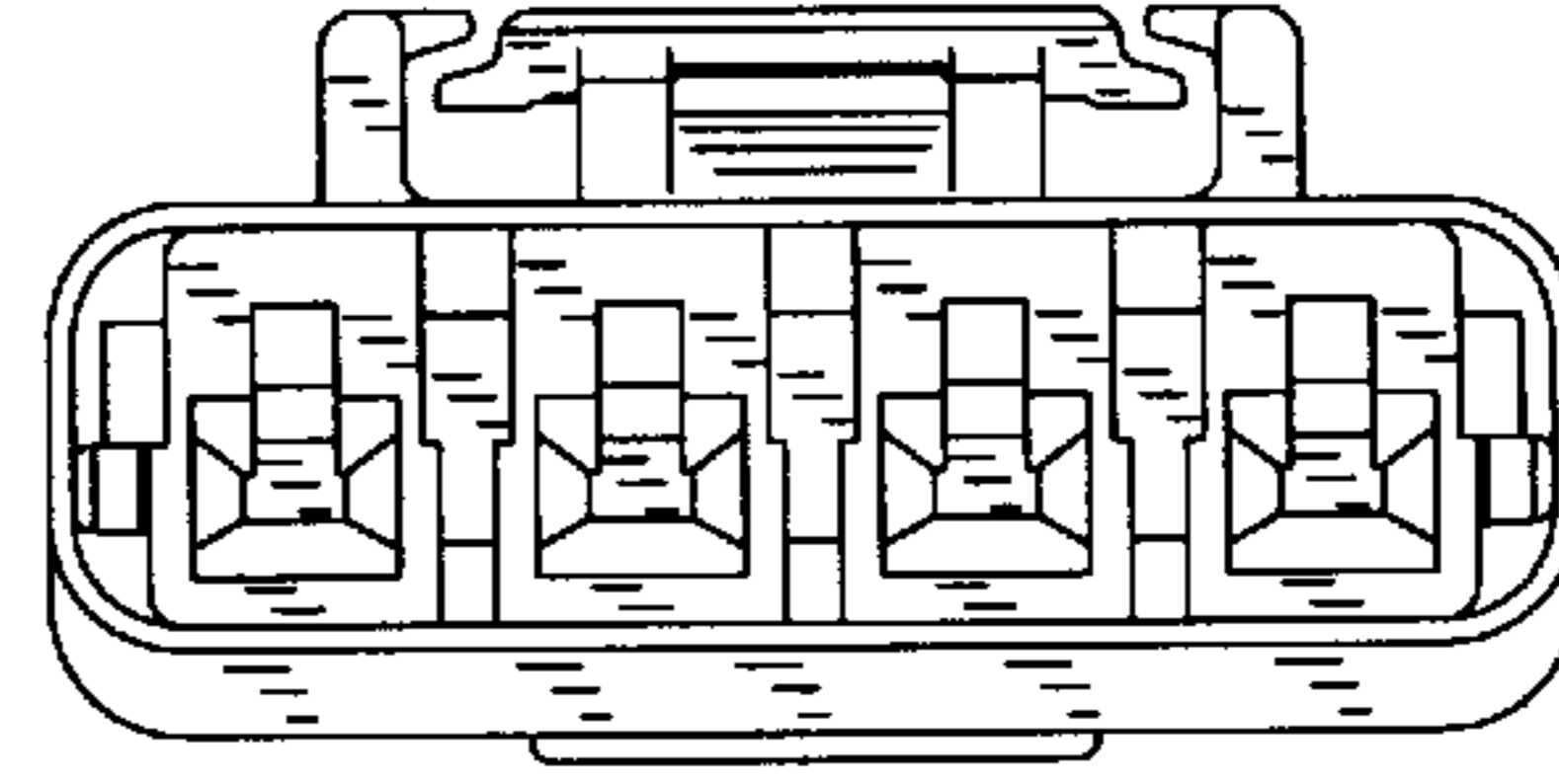


FIG. 4

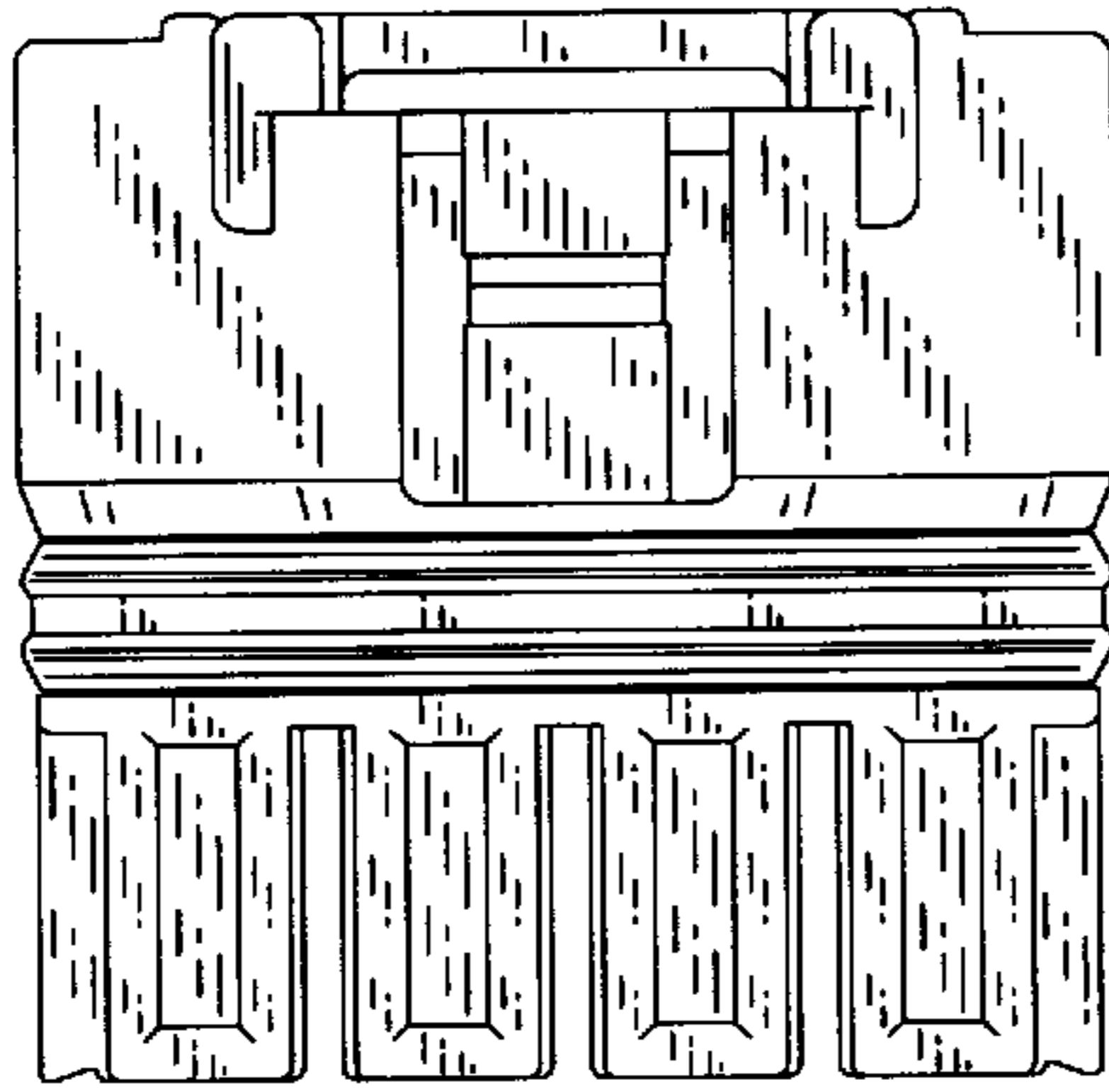


FIG. 5

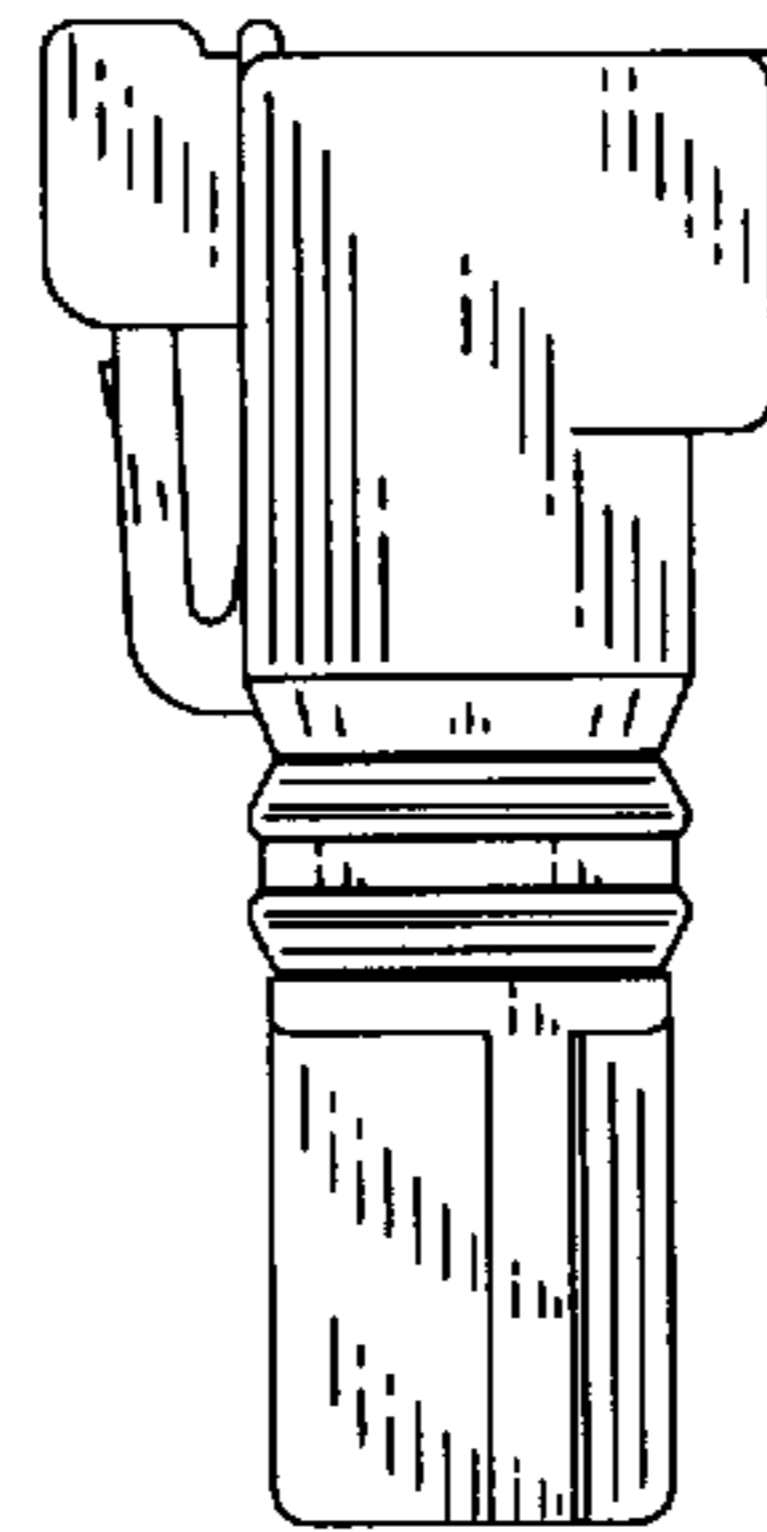


FIG. 6

