



US00D526962S

(12) **United States Design Patent**
Krieger et al.

(10) **Patent No.:** **US D526,962 S**

(45) **Date of Patent:** **** Aug. 22, 2006**

(54) **DC AND AC ENERGY SUPPLY POWERED THROUGH CIGARETTE LIGHTER ADAPTOR**

6,551,142 B1 * 4/2003 Eisenbraun 439/668
D494,542 S * 8/2004 Hriscu et al. D13/110
D504,408 S * 4/2005 Bey et al. D14/155
2002/0119708 A1 * 8/2002 Eisenbraun 439/668

(75) Inventors: **Michael Krieger**, Miami Beach, FL (US); **Kevin Ellsworth**, Alva, FL (US)

OTHER PUBLICATIONS

(73) Assignee: **Vector Products, Inc.**, Fort Lauderdale, FL (US)

Vector Catalog 2003, one page in Power Section (Nov. 2003).

Vector Catalog 2004, one page in Power Section (Nov. 2004).

(**) Term: **14 Years**

* cited by examiner

(21) Appl. No.: **29/221,028**

Primary Examiner—Alan P. Douglas

(22) Filed: **Jan. 11, 2005**

Assistant Examiner—Rosemary K. Tarcza

(51) **LOC (8) Cl.** **13-03**

(74) *Attorney, Agent, or Firm*—Venable LLP; Robert Kinberg; Manni Li

(52) **U.S. Cl.** **D13/144**

(58) **Field of Classification Search** D13/107,
D13/110, 144, 184; D14/155, 240; 320/110–112,
320/114; 363/146; 439/300, 620, 638, 668–669,
439/675, 825

(57) **CLAIM**

The ornamental design for a DC and AC energy supply powered through cigarette lighter adaptor, as shown and described.

See application file for complete search history.

DESCRIPTION

(56) **References Cited**

FIG. 1 is a perspective view from the front-top-left side of the DC and AC energy supply powered through cigarette lighter adaptor showing our new design;

FIG. 2 is a front view of the design shown in FIG. 1;

FIG. 3 is a rear view of the design shown in FIG. 1;

FIG. 4 is a left side view of the design shown in FIG. 1;

FIG. 5 is a right side view of the design shown in FIG. 1;

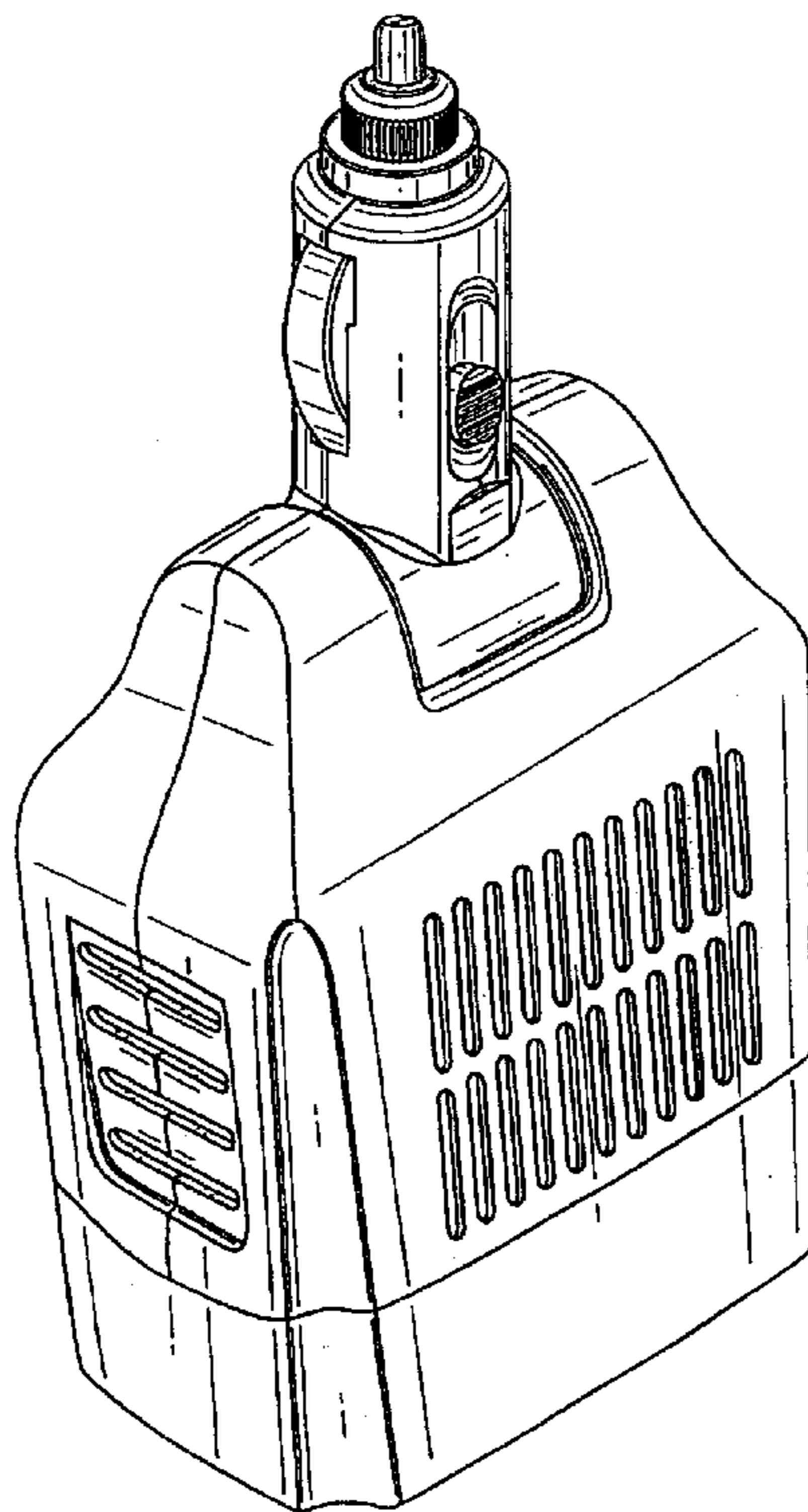
FIG. 6 is a top view of the design shown in FIG. 1; and,

FIG. 7 is a bottom view of the design shown in FIG. 1.

U.S. PATENT DOCUMENTS

D303,954 S * 10/1989 Michels et al. D14/155
D330,700 S * 11/1992 Wharton D13/158
D347,824 S * 6/1994 Wharton D13/144
D349,096 S * 7/1994 Hyvonen D13/107
5,847,545 A * 12/1998 Chen et al. 320/138
D456,349 S * 4/2002 Chuang D13/107
D464,316 S * 10/2002 Nazar D13/110
D465,781 S * 11/2002 Fischer D14/240
6,478,628 B1 * 11/2002 Ming 439/668

1 Claim, 7 Drawing Sheets



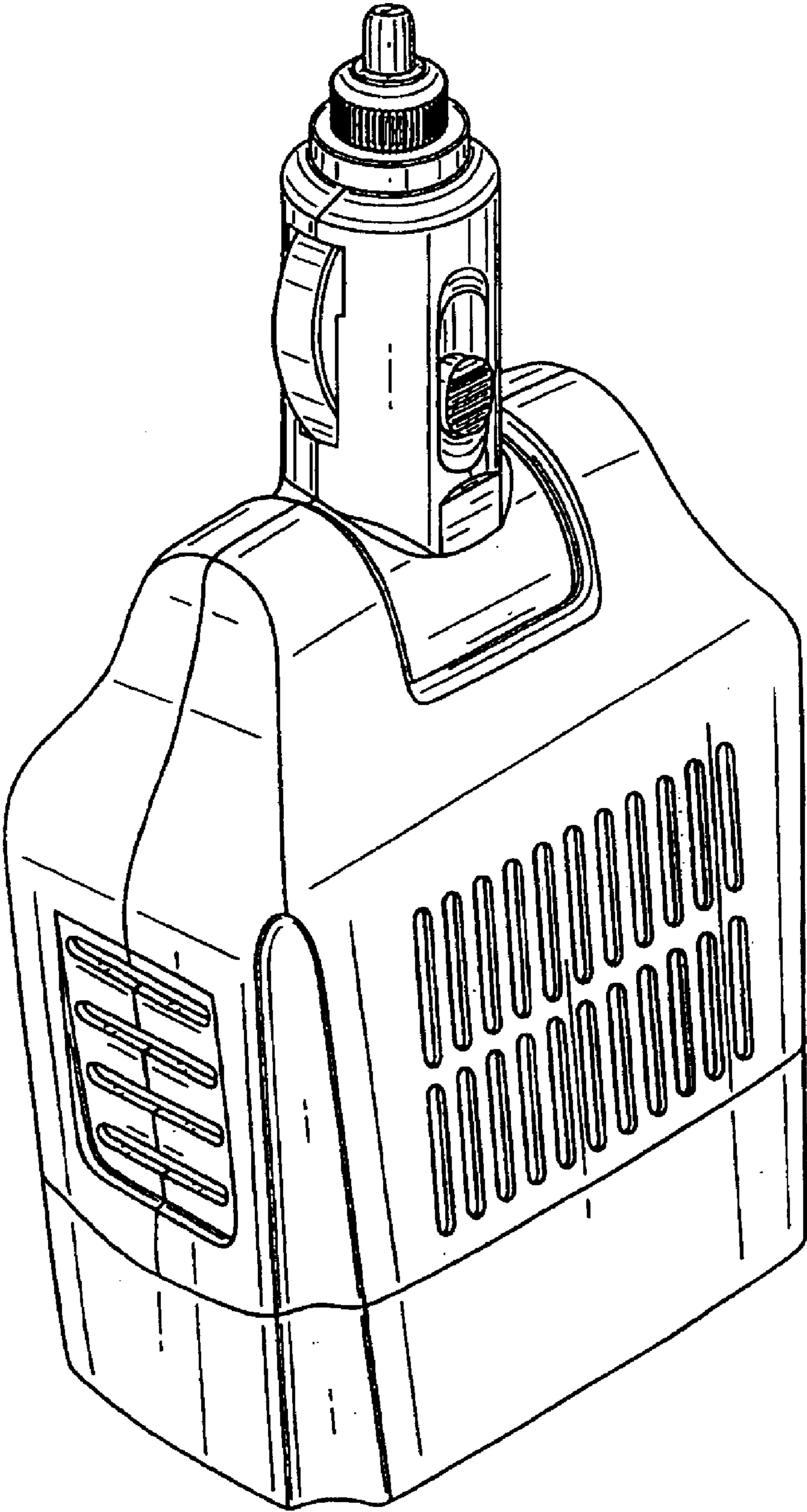


FIG. 1

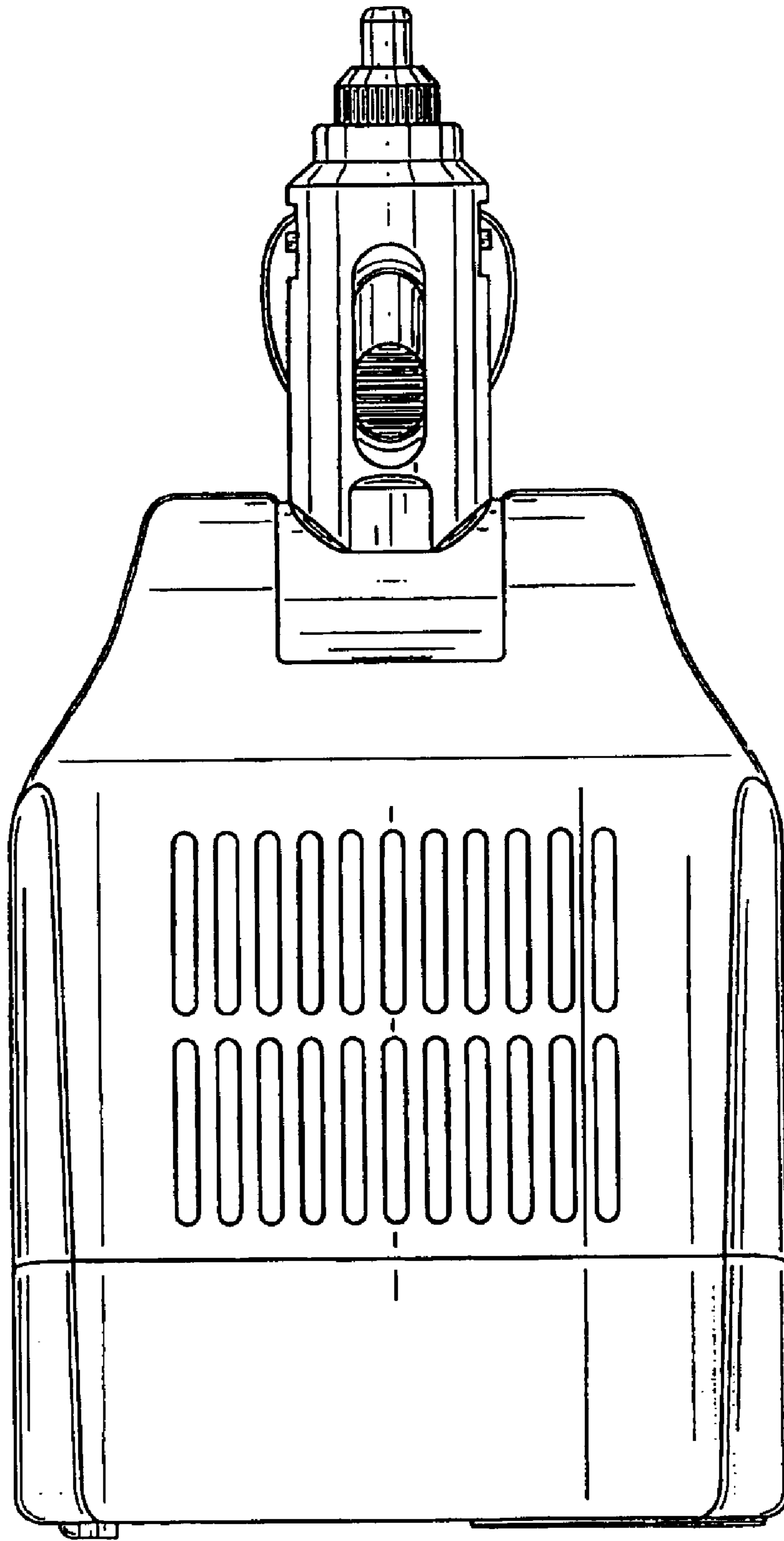


FIG. 2

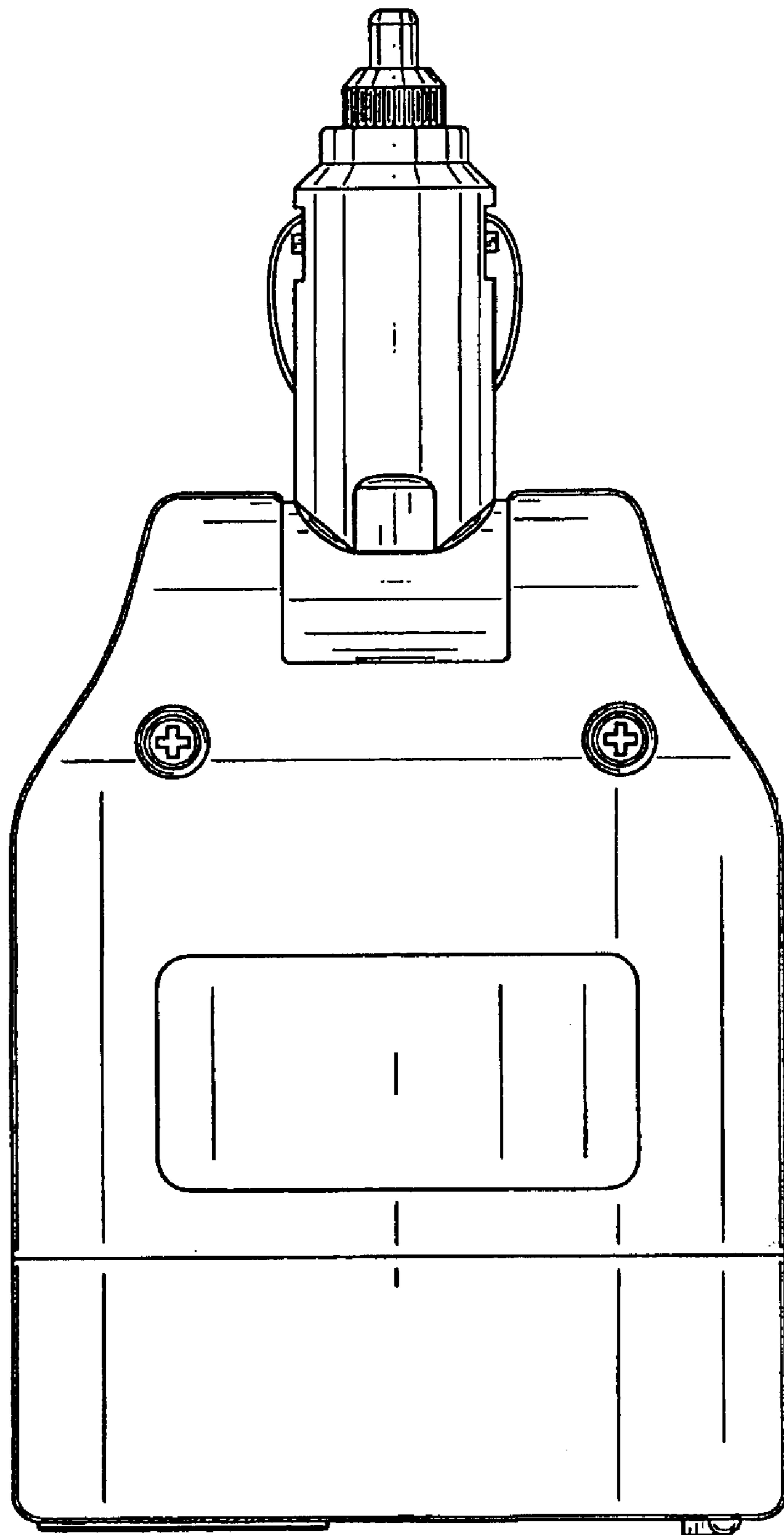


FIG. 3

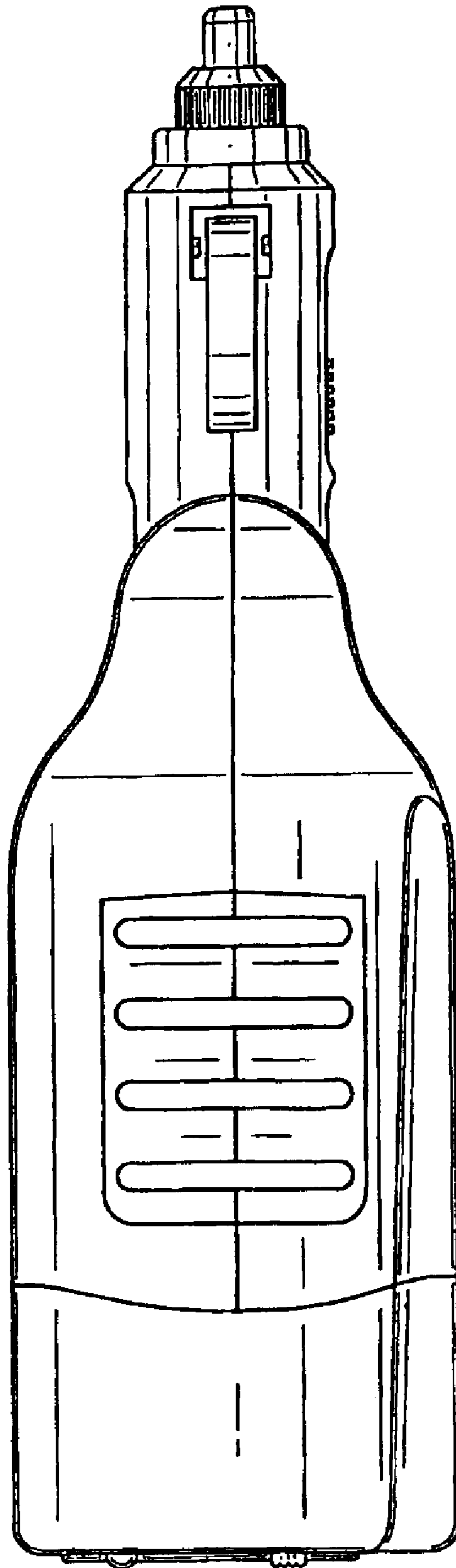


FIG. 4

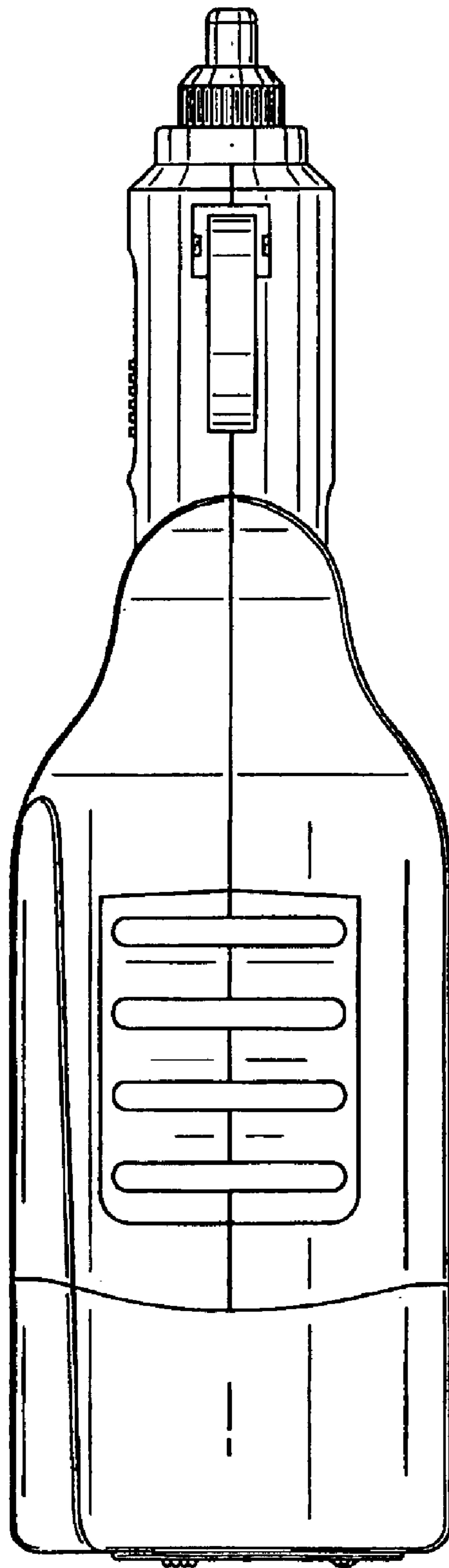


FIG. 5

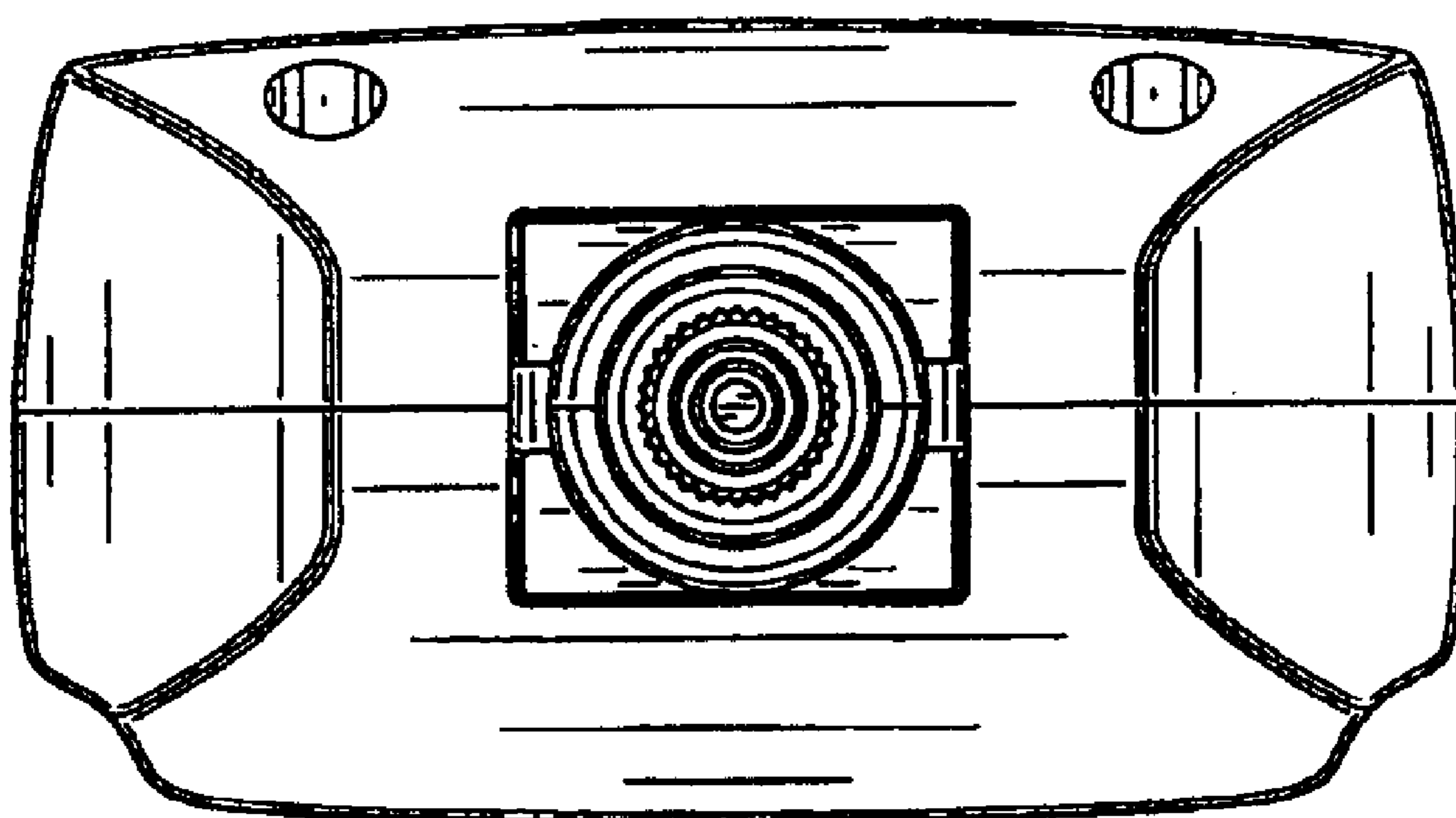


FIG. 6

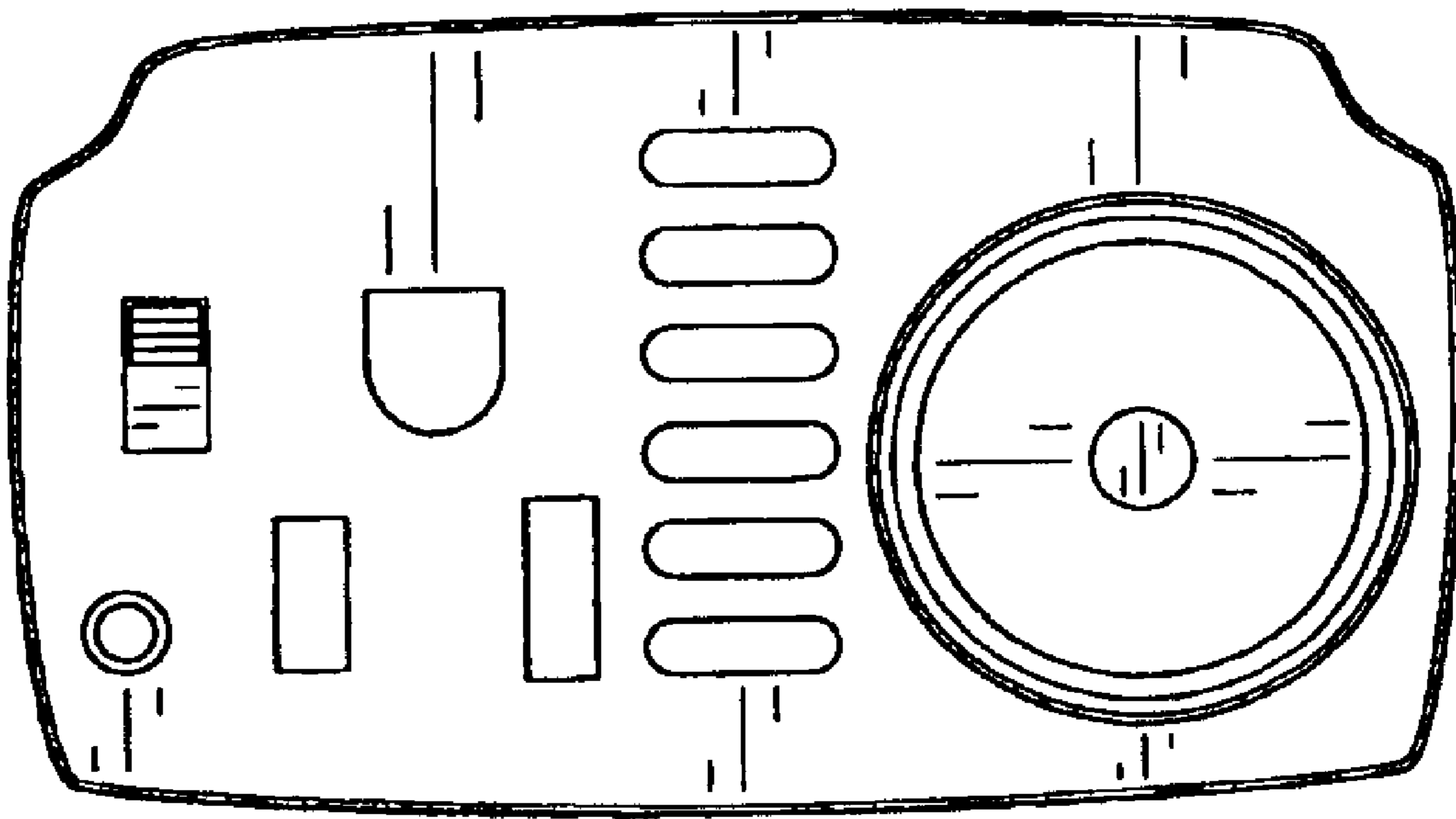


FIG. 7