



US00D526961S

(12) **United States Design Patent**  
**Kissinger et al.**

(10) **Patent No.:** **US D526,961 S**

(45) **Date of Patent:** **\*\* Aug. 22, 2006**

(54) **RETRACTABLE AND INTERCHANGEABLE CONTROL PANEL FOR ELECTRONIC OR LIKE DEVICES**

(75) Inventors: **John Kissinger**, Placentia, CA (US);  
**David Pincek**, Huntington Beach, CA (US)

(73) Assignee: **RGB Systems, Inc.**, Anaheim, CA (US)

(\*\*) Term: **14 Years**

(21) Appl. No.: **29/180,095**

(22) Filed: **Apr. 18, 2003**

(51) **LOC (8) Cl.** ..... **13-03**

(52) **U.S. Cl.** ..... **D13/139.4**

(58) **Field of Classification Search** ..... D13/139.1,  
D13/139.4, 139.6; 439/131, 535; 174/53  
See application file for complete search history.

(56) **References Cited**

**U.S. PATENT DOCUMENTS**

D182,010 S	1/1958	Wells et al.	
D187,221 S	2/1960	Laub et al.	
D198,531 S	6/1964	Beville	
D205,590 S	8/1966	Balmer	
D224,214 S	7/1972	Wormser	
D280,893 S	10/1985	Ueda	
D295,255 S	4/1988	Mauch	
D306,428 S	3/1990	Barth et al.	
D340,660 S	10/1993	Russell	
D363,741 S	10/1995	Leff et al.	
5,705,772 A	* 1/1998	Brown	174/48
D420,327 S	* 2/2000	Byrne	D13/139.4
D437,827 S	2/2001	Gershfeld	
D442,143 S	5/2001	Gershfeld	
D448,756 S	10/2001	Lewellen	
D449,819 S	* 10/2001	Gershfeld	D13/139.4
D457,137 S	* 5/2002	Gershfeld	D13/139.4
D466,868 S	* 12/2002	Gershfeld	D13/139.4
D473,525 S	* 4/2003	Pincek et al.	D13/162

**OTHER PUBLICATIONS**

Product Catalog, Electri-Cable Assemblies, Inc., 2000.  
T3U Table Box, FSR Metal Products Group, 2001.  
Product Catalog, Spider Manufacturing, Inc., Apr. 1998.  
Catalog No. 19, Doug Mockett & Company, Inc., 2000.

\* cited by examiner

*Primary Examiner*—Joel Sincavage

(74) *Attorney, Agent, or Firm*—The Hecker Law Group

(57) **CLAIM**

The ornamental design for a retractable and interchangeable control panel for electronic or like devices, as shown and described.

**DESCRIPTION**

FIG. 1 is a perspective view of a retractable and interchangeable control panel for electronic or like devices in an open position.

FIG. 2 is a top plan view thereof of the retractable and interchangeable control panel for electronic or like devices in an open position.

FIG. 3 is a front elevational view thereof of the retractable and interchangeable control panel for electronic or like devices in an open position.

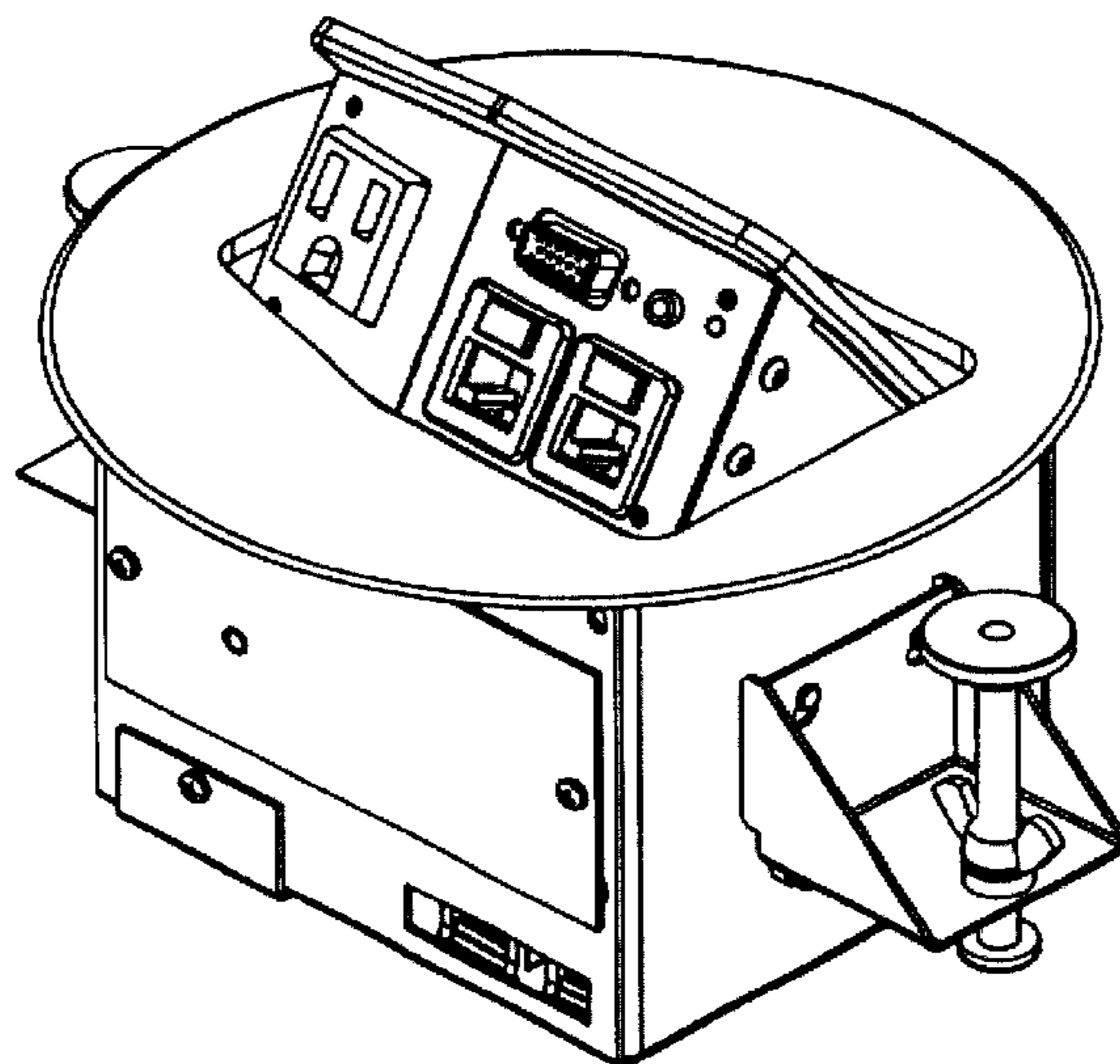
FIG. 4 is a right side elevational view thereof of the retractable and interchangeable control panel for electronic or like devices in an open position.

FIG. 5 is a left side elevational view thereof of the retractable and interchangeable control panel for electronic or like devices in an open position.

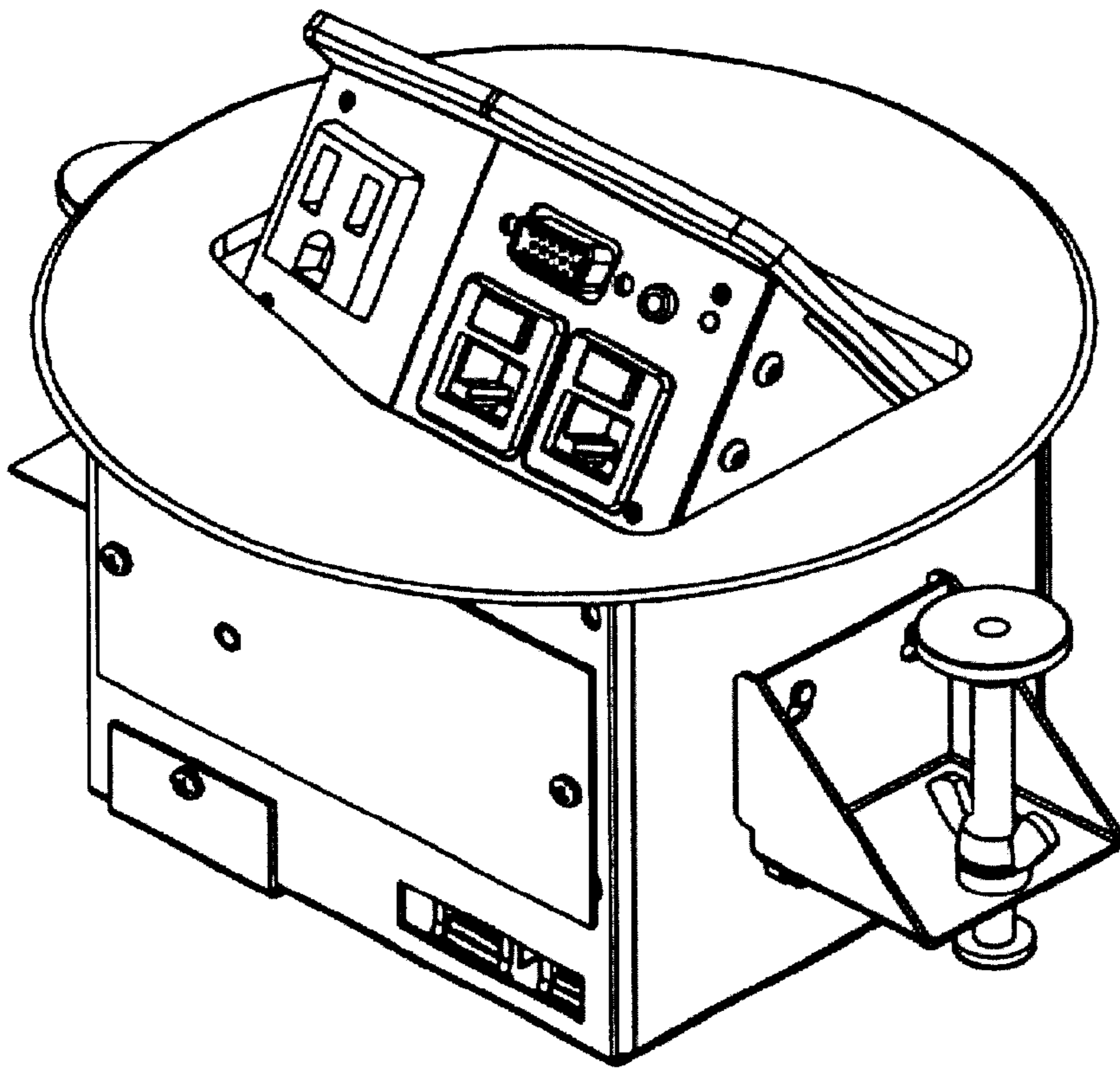
FIG. 6 is a back elevational view thereof of the retractable and interchangeable control panel for electronic or like devices in an open position; and,

FIG. 7 is a bottom plan view thereof of the retractable and interchangeable control panel for electronic or like devices in a closed position.

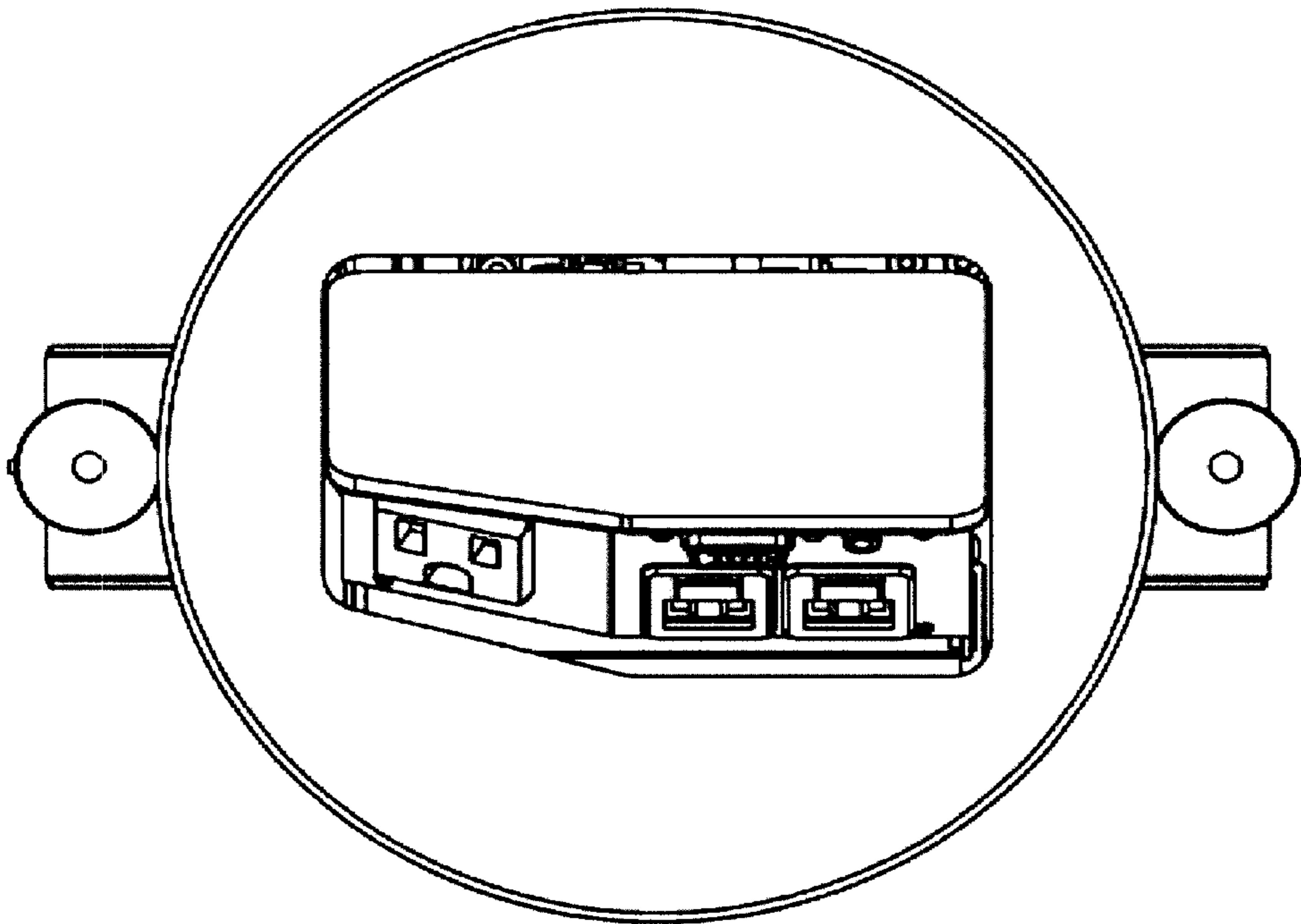
**1 Claim, 7 Drawing Sheets**



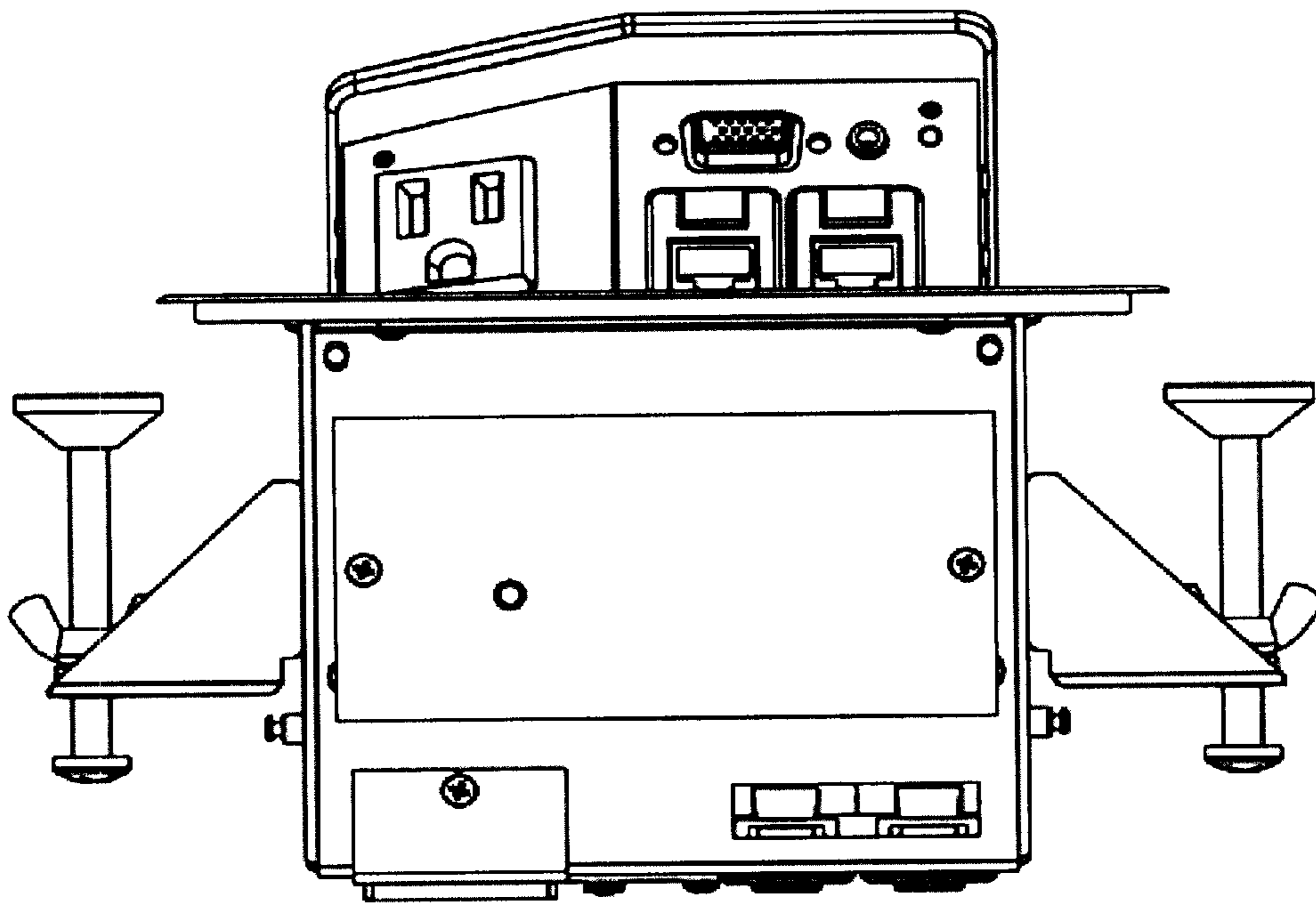
*Figure 1*



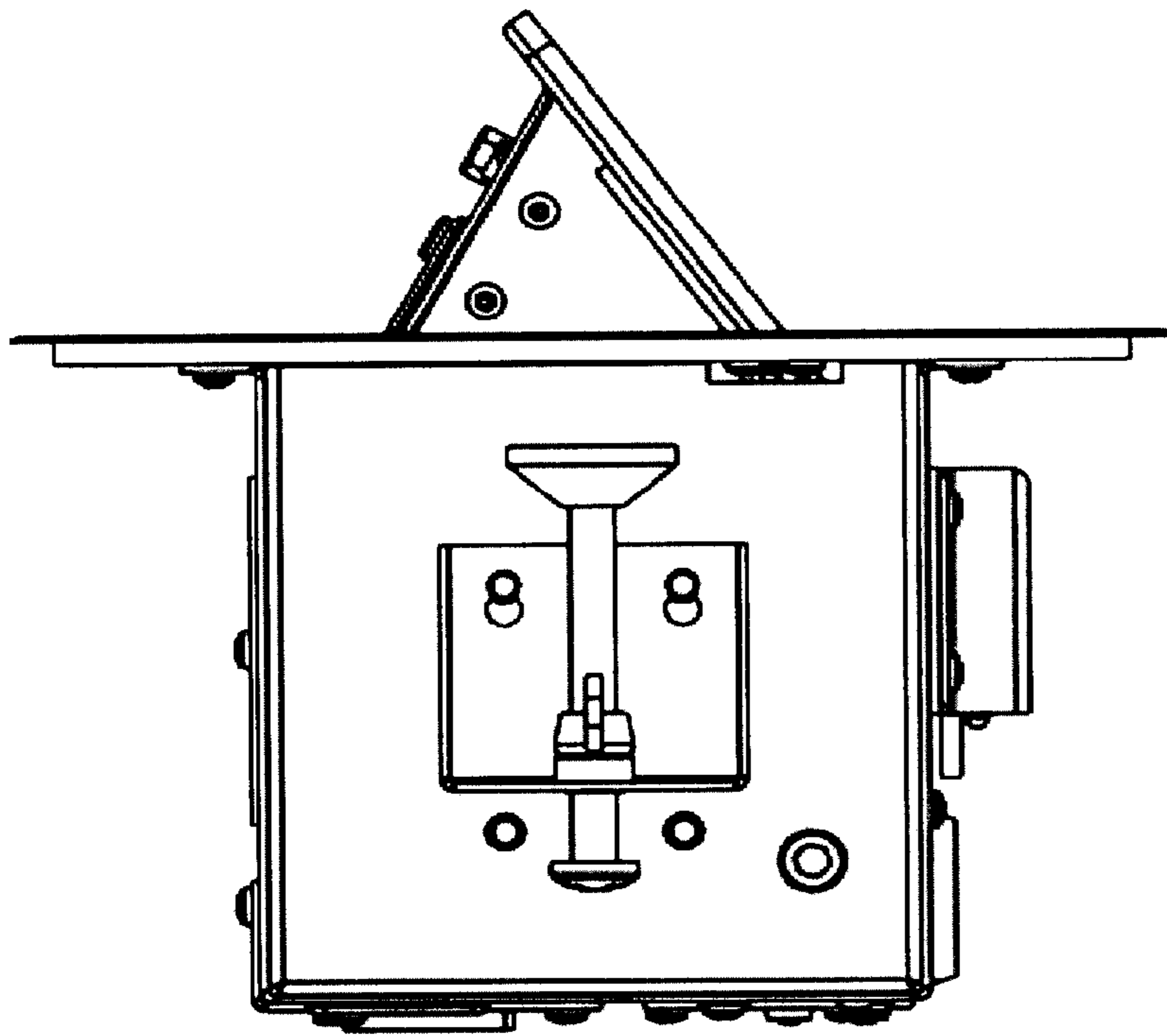
*Figure 2*



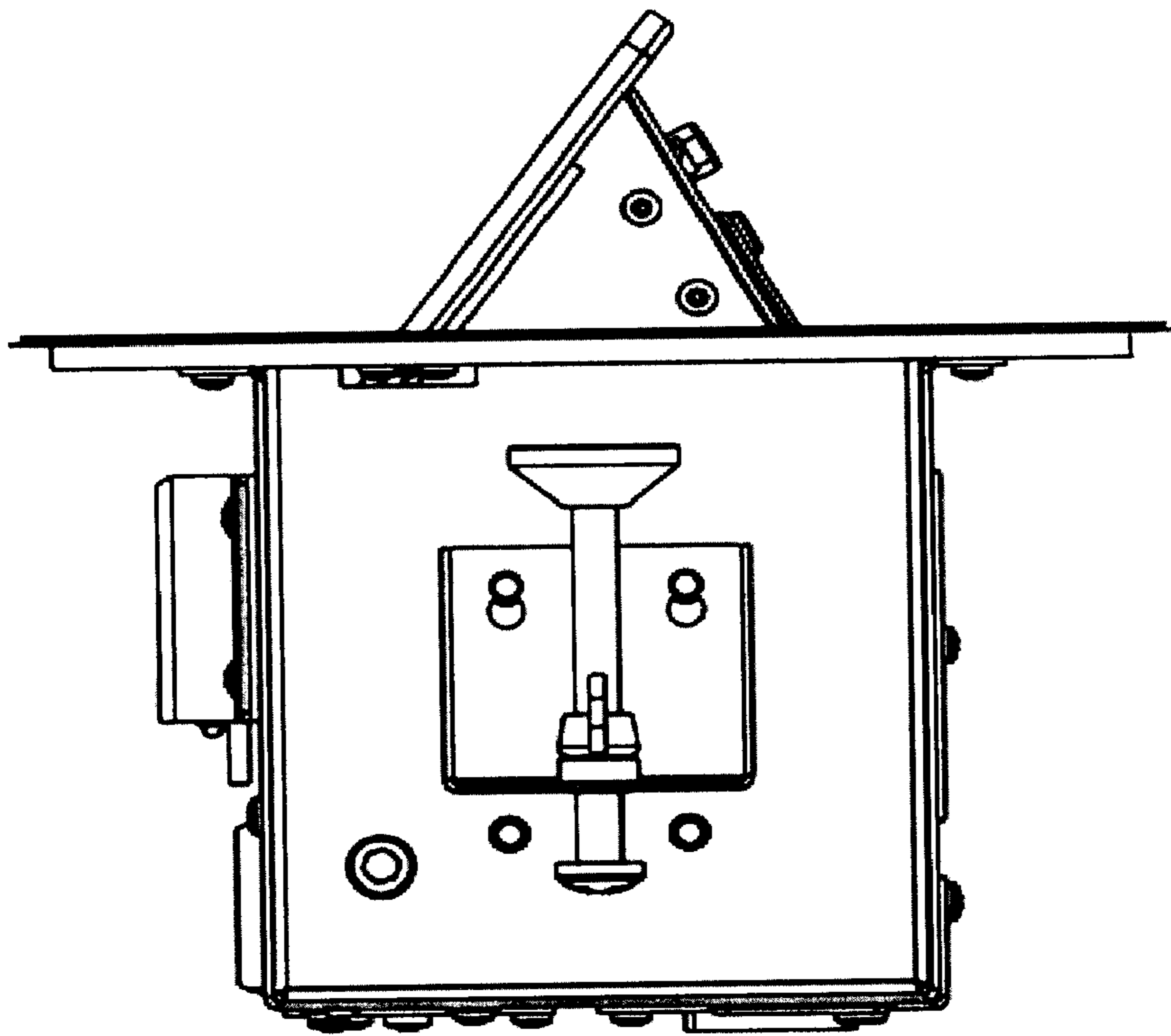
*Figure 3*



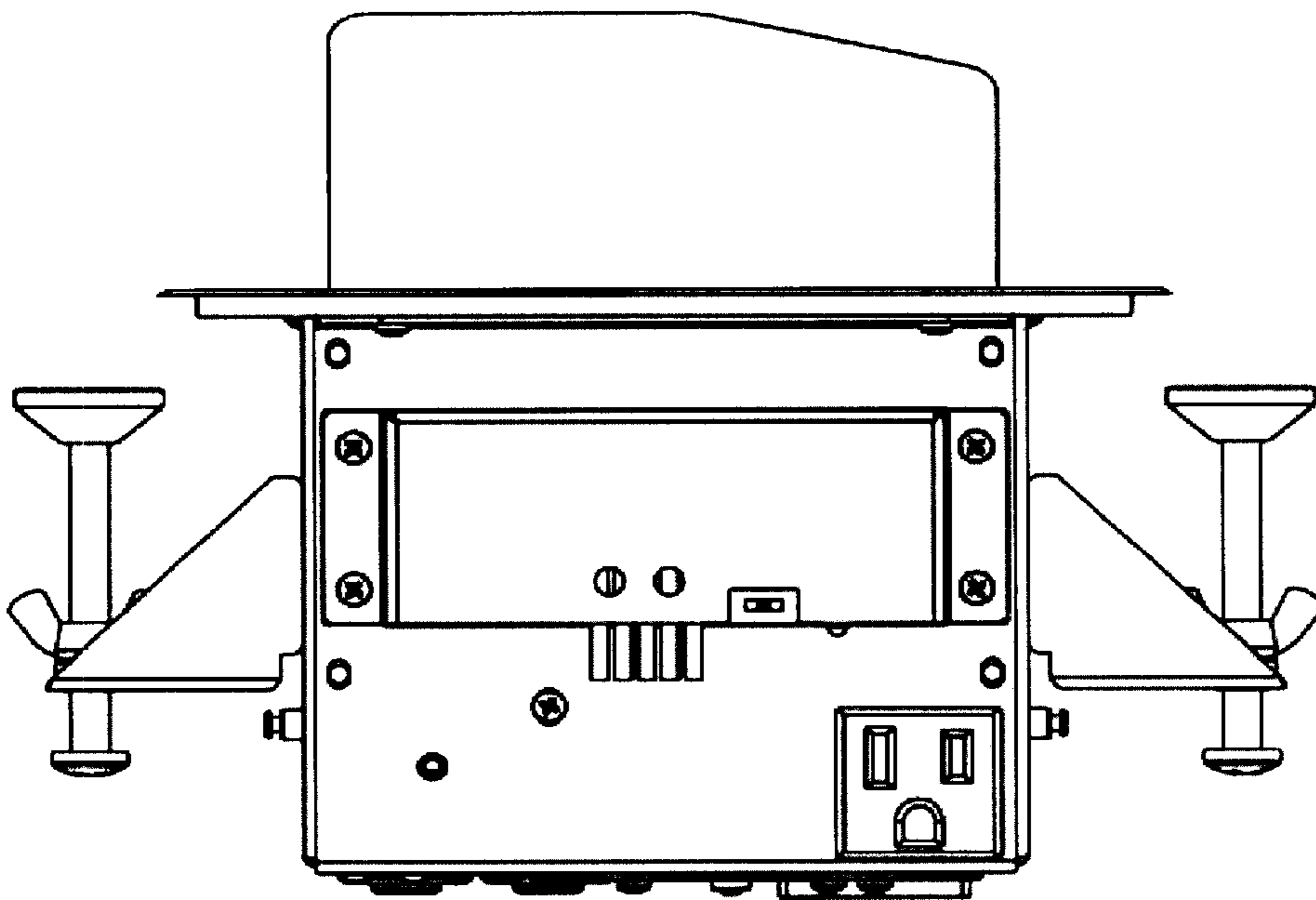
*Figure 4*



*Figure 5*



*Figure 6*



*Figure 7*

