



US00D526960S

(12) **United States Design Patent**  
**Kobayashi et al.**

(10) **Patent No.:** **US D526,960 S**  
(45) **Date of Patent:** **\*\* Aug. 22, 2006**

(54) **NOISE FILTER**

(75) Inventors: **Katsumi Kobayashi**, Sakata (JP);  
**Toshihiro Kuroshima**, Sakata (JP)  
(73) Assignee: **TDK Corporation**, Tokyo (JP)  
(\*\*) Term: **14 Years**

(21) Appl. No.: **29/220,977**

(22) Filed: **Jan. 10, 2005**

(30) **Foreign Application Priority Data**

Jul. 13, 2004 (JP) ..... 2004-021135

(51) **LOC (8) Cl.** ..... **13-02**

(52) **U.S. Cl.** ..... **D13/110; D13/133**

(58) **Field of Classification Search** ..... D13/110,  
D13/101, 118, 133, 146, 156; D8/396; 174/19,  
174/58, 60, 257, 258; 307/151; 361/679,  
361/707, 728; 363/39

See application file for complete search history.

(56) **References Cited**

**U.S. PATENT DOCUMENTS**

D314,186 S \* 1/1991 Fujioka ..... D13/199  
D319,217 S \* 8/1991 Fujioka ..... D13/199  
D361,310 S \* 8/1995 Kawamura ..... D13/110  
D369,778 S \* 5/1996 Tamaki ..... D13/110  
5,920,250 A \* 7/1999 Watanabe et al. .... 336/92  
6,072,125 A \* 6/2000 Takeuchi ..... 174/92  
6,469,589 B1 \* 10/2002 Takeda ..... 333/12

**FOREIGN PATENT DOCUMENTS**

JP U 03-013798 2/1991  
JP U 03-013799 2/1991  
JP U 03-059693 6/1991  
JP U 03-077421 8/1991  
JP A 03-181106 8/1991  
JP A 10-032395 2/1998  
JP A 2000-091136 3/2000  
JP 1127718 12/2001

\* cited by examiner

*Primary Examiner*—Stella Reid

*Assistant Examiner*—Derrick Holland

(74) *Attorney, Agent, or Firm*—Oliff & Berridge, PLC

(57) **CLAIM**

The ornamental design for noise filter, as shown and described.

**DESCRIPTION**

FIG. 1 is a perspective view of a noise filter, showing our new design;

FIG. 2 is a front elevation view thereof;

FIG. 3 is a rear elevation view thereof;

FIG. 4 is a right side elevation view, with the left side being a mirror image thereof;

FIG. 5 is a top plan view thereof;

FIG. 6 is a bottom plan view thereof; and,

FIG. 7 is a perspective view thereof.

The broken lines showing is for illustrative purposes only and forms no part of the claimed design.

**1 Claim, 4 Drawing Sheets**

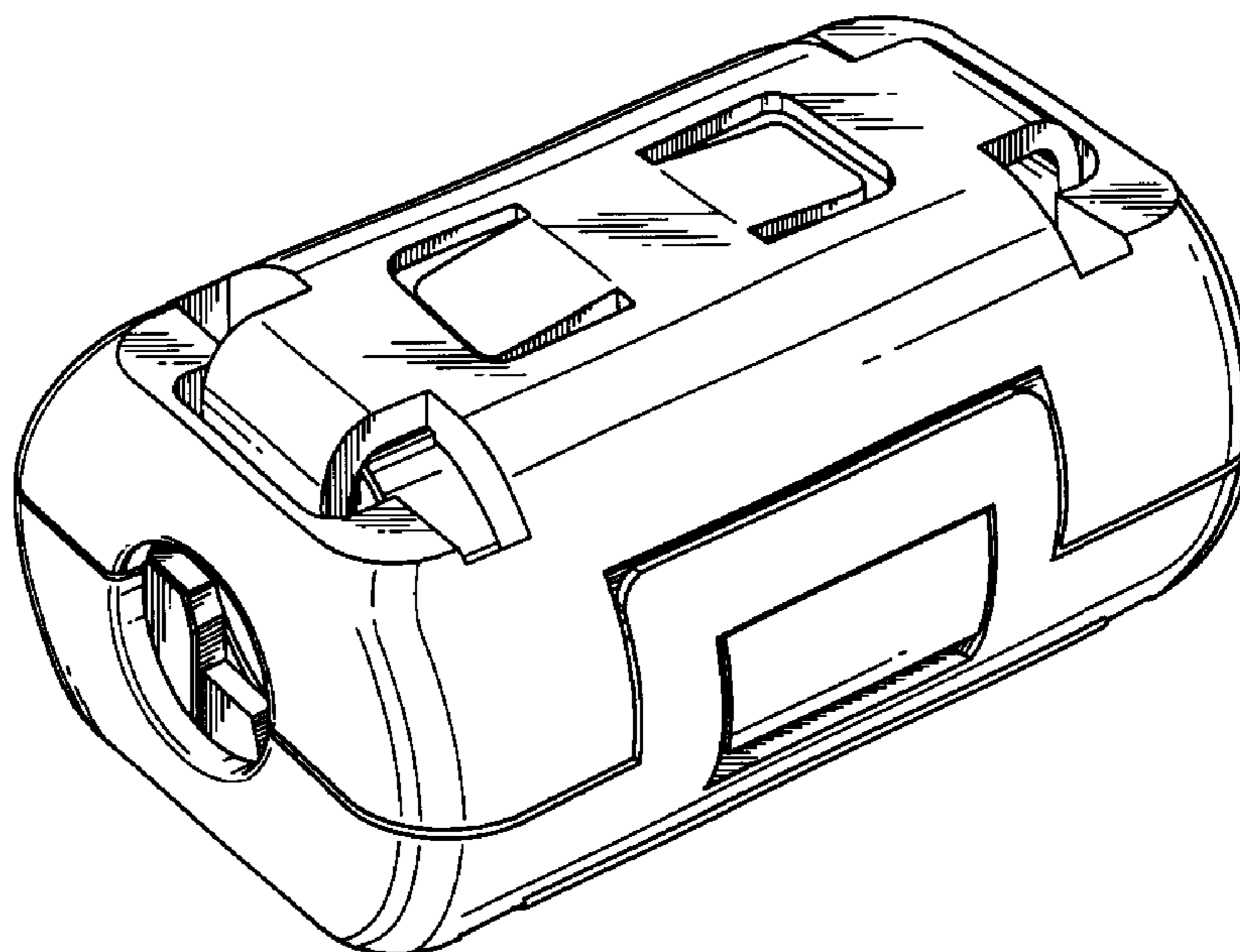


FIG.1

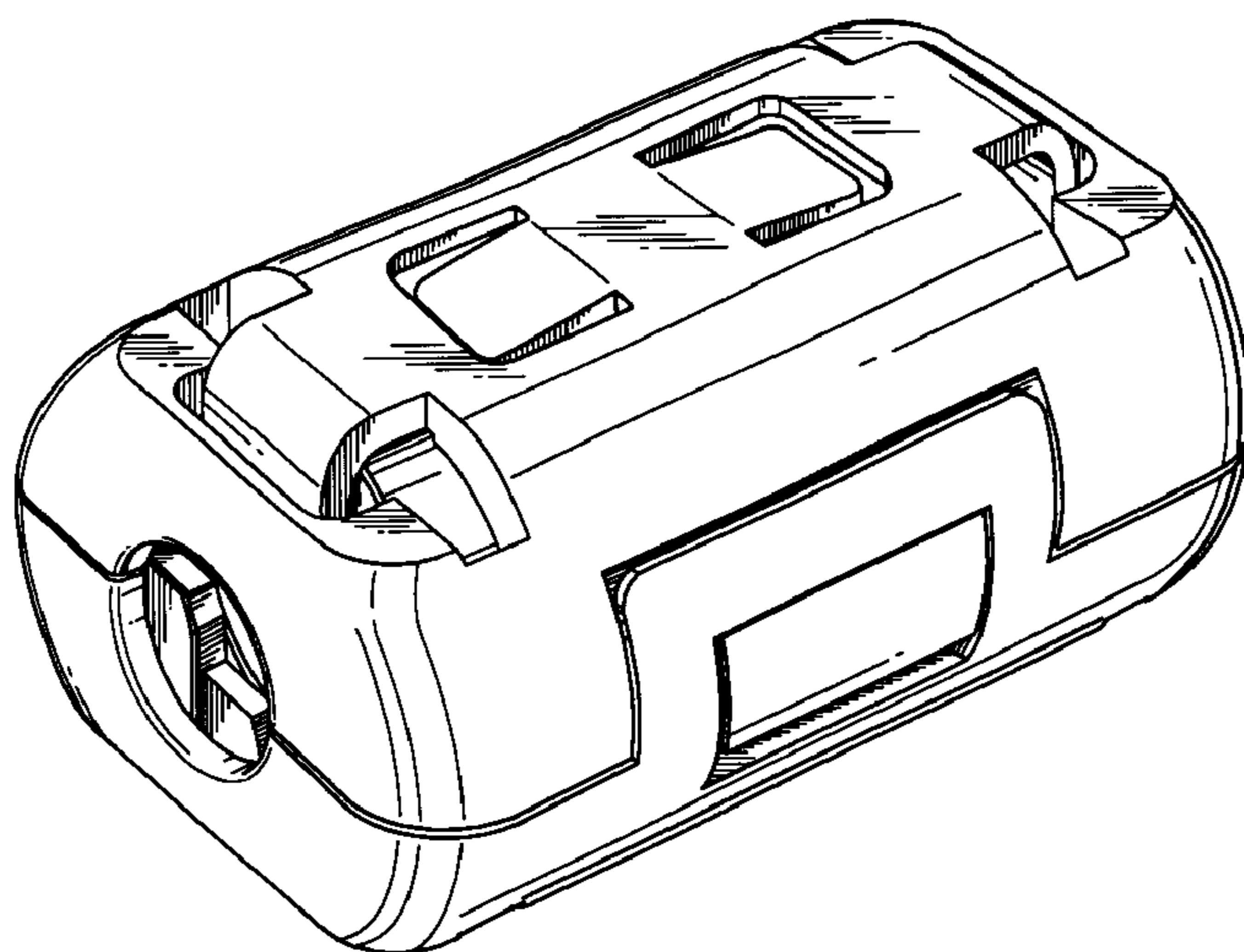


FIG.2

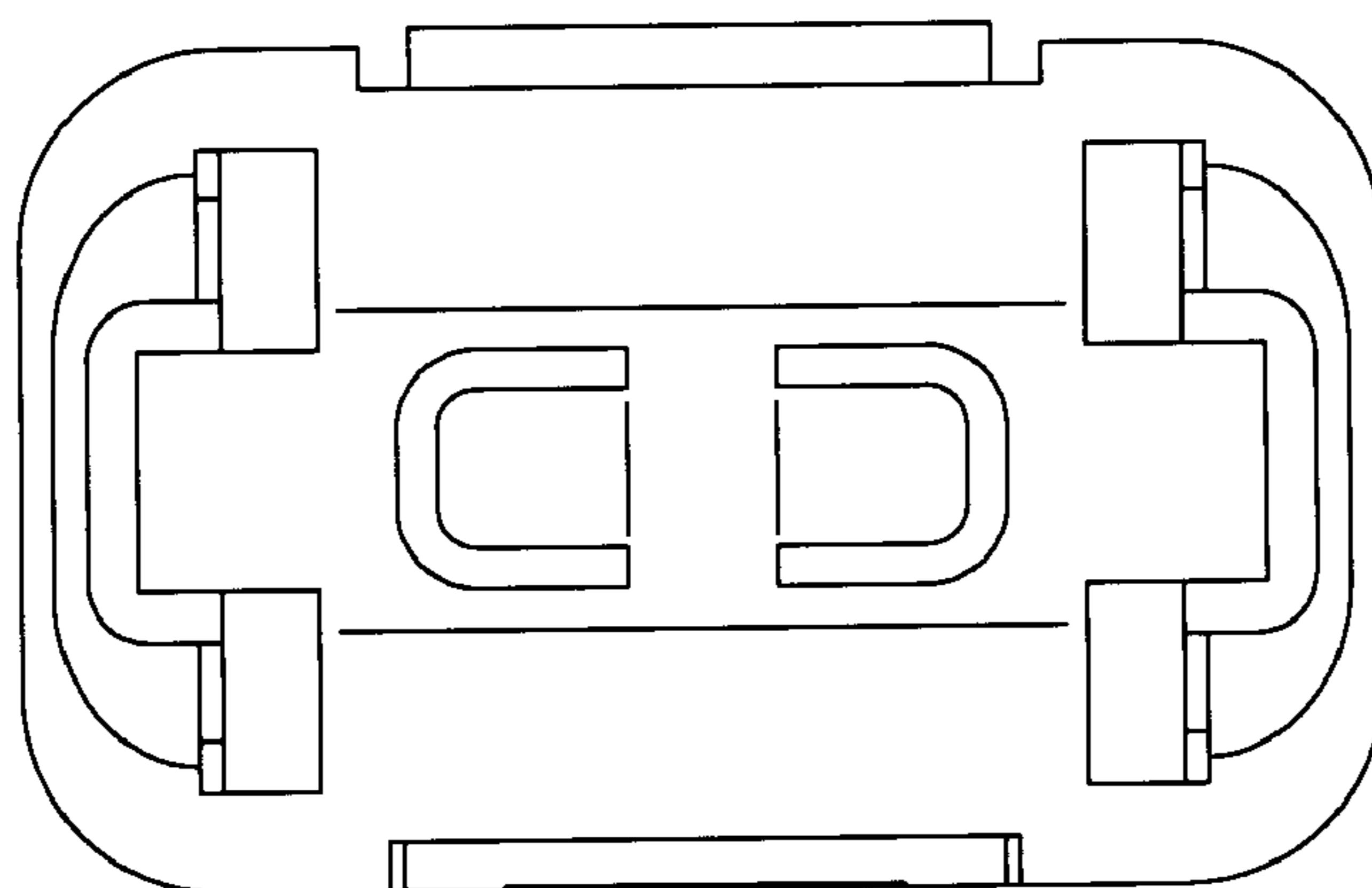


FIG.3

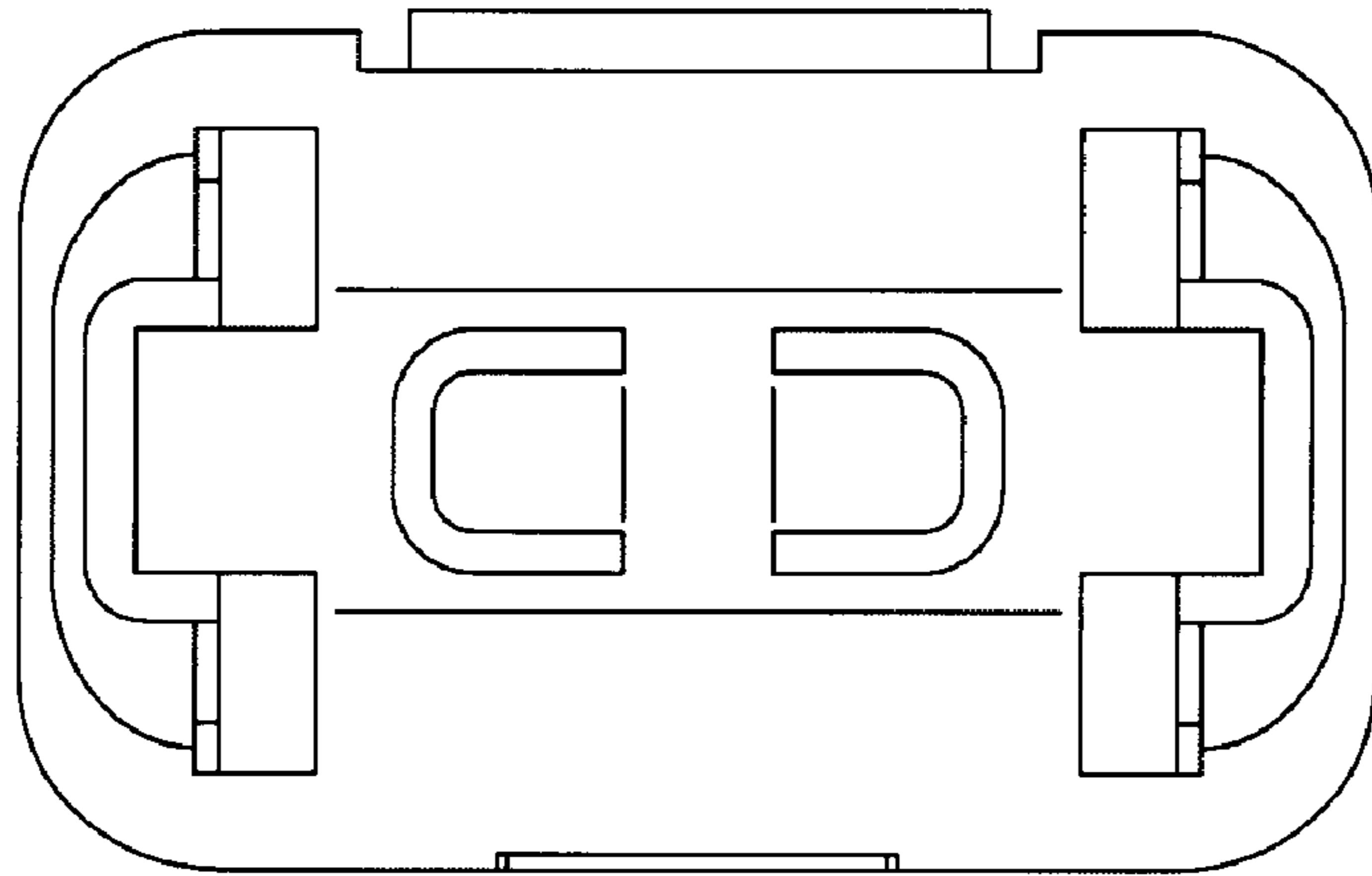


FIG.4

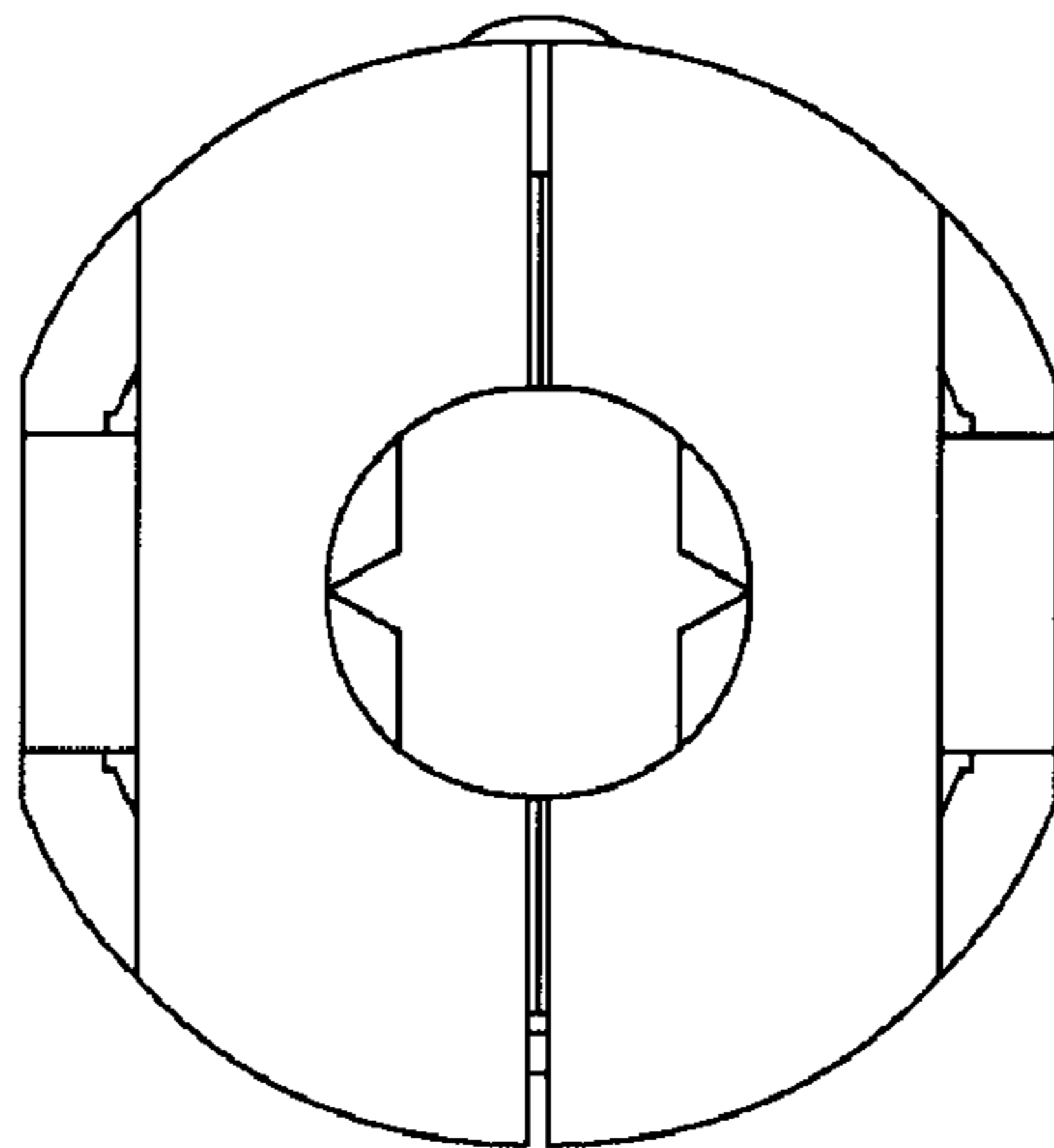


FIG.5

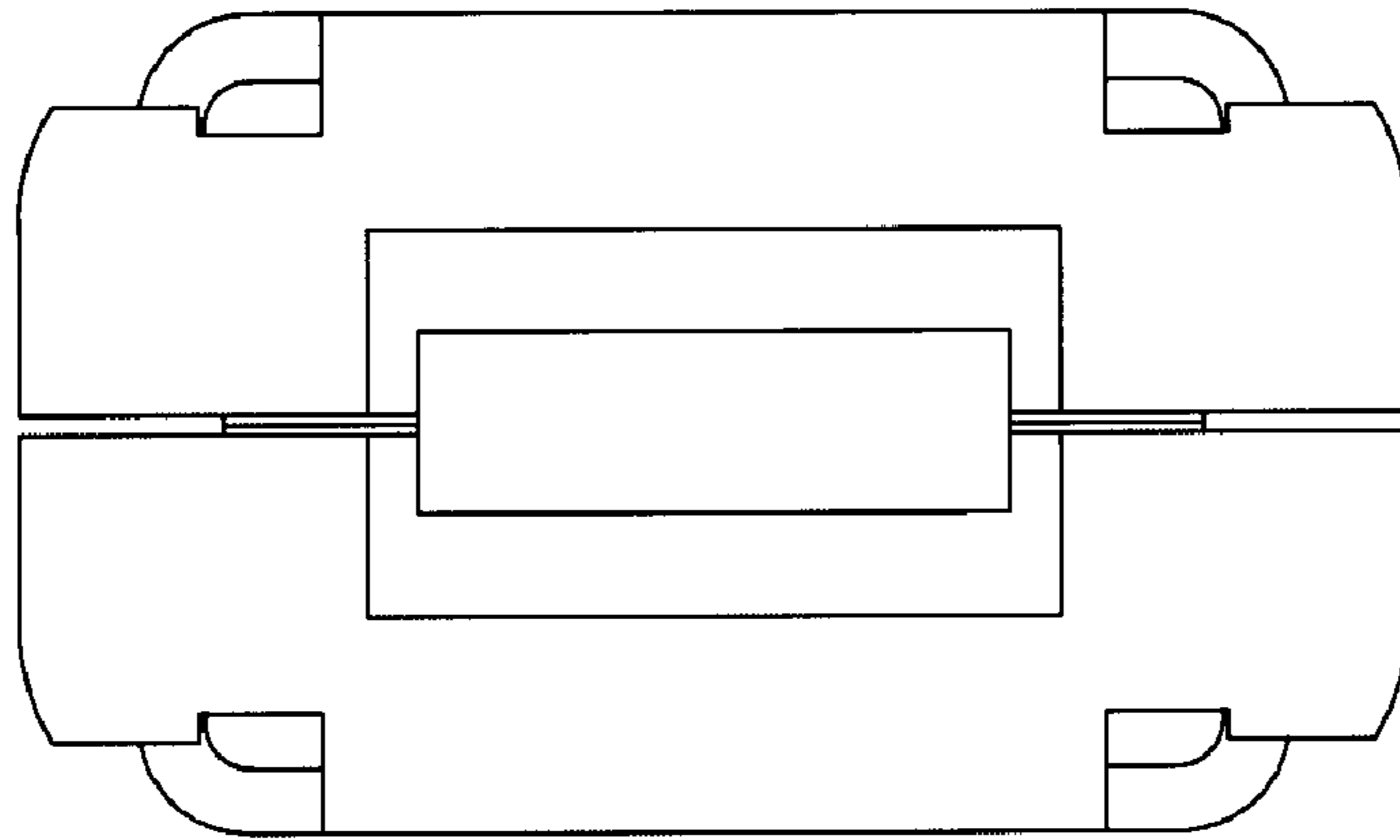


FIG.6

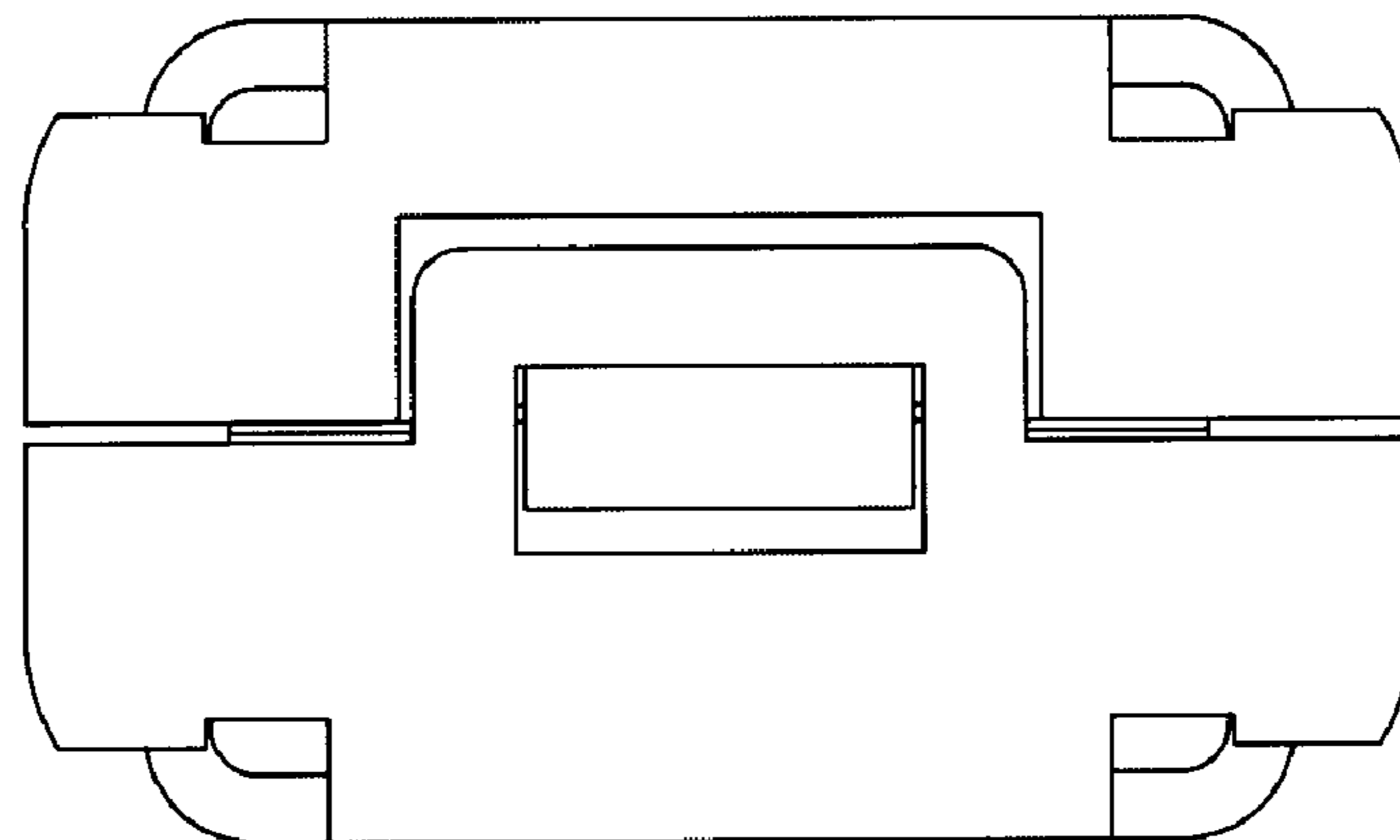


FIG.7

