



US00D526959S

(12) **United States Design Patent**  
**Maglica et al.**

(10) **Patent No.:** **US D526,959 S**

(45) **Date of Patent:** **\*\* Aug. 22, 2006**

(54) **FLASHLIGHT RECHARGER**

(75) Inventors: **Anthony Maglica**, Ontario, CA (US);  
**Stacey H. West**, Upland, CA (US)

(73) Assignee: **Mag Instrument, Inc.**, Ontario, CA  
(US)

(\*\*) Term: **14 Years**

(21) Appl. No.: **29/251,355**

(22) Filed: **Jan. 6, 2006**

**Related U.S. Application Data**

(63) Continuation-in-part of application No. 11/108,520, filed on  
Apr. 18, 2005.

(51) **LOC (8) Cl.** ..... **13-02**

(52) **U.S. Cl.** ..... **D13/108; D26/38**

(58) **Field of Classification Search** ..... D13/107-110,  
D13/118-119, 184; D14/251, 253, 432, 434;  
D26/38; 320/107-115; 362/183, 190, 192,  
362/208

See application file for complete search history.

(56) **References Cited**

**U.S. PATENT DOCUMENTS**

D297,265 S \* 8/1988 Ingram, II ..... D26/38  
D303,107 S \* 8/1989 Maglica et al. .... D13/120  
D334,993 S \* 4/1993 Lee ..... D26/38  
5,413,223 A \* 5/1995 Kang ..... 206/573  
D377,538 S \* 1/1997 Blevins ..... D26/38

D394,122 S \* 5/1998 Concari et al. .... D26/38  
D400,166 S \* 10/1998 Concari et al. .... D13/108  
5,836,672 A \* 11/1998 Maglica et al. .... 362/183  
RE37,092 E \* 3/2001 Sharrah et al. .... 362/183  
6,313,604 B1 \* 11/2001 Chen ..... 320/114  
6,316,911 B1 \* 11/2001 Moskowitz et al. .... 320/114  
D481,675 S \* 11/2003 Ng ..... D13/108  
2005/0135091 A1 \* 6/2005 Sharrah et al. .... 362/205

\* cited by examiner

*Primary Examiner*—Alan P. Douglas

*Assistant Examiner*—Rosemary K. Tarcza

(74) *Attorney, Agent, or Firm*—Jones Day

(57) **CLAIM**

The ornamental design for a flashlight recharger, as shown  
and described.

**DESCRIPTION**

FIG. 1 is a rear and top left perspective view of a flashlight  
recharger.

FIG. 2 is a front and top right perspective view of the  
flashlight recharger.

FIG. 3 is a top plan view of the flashlight recharger.

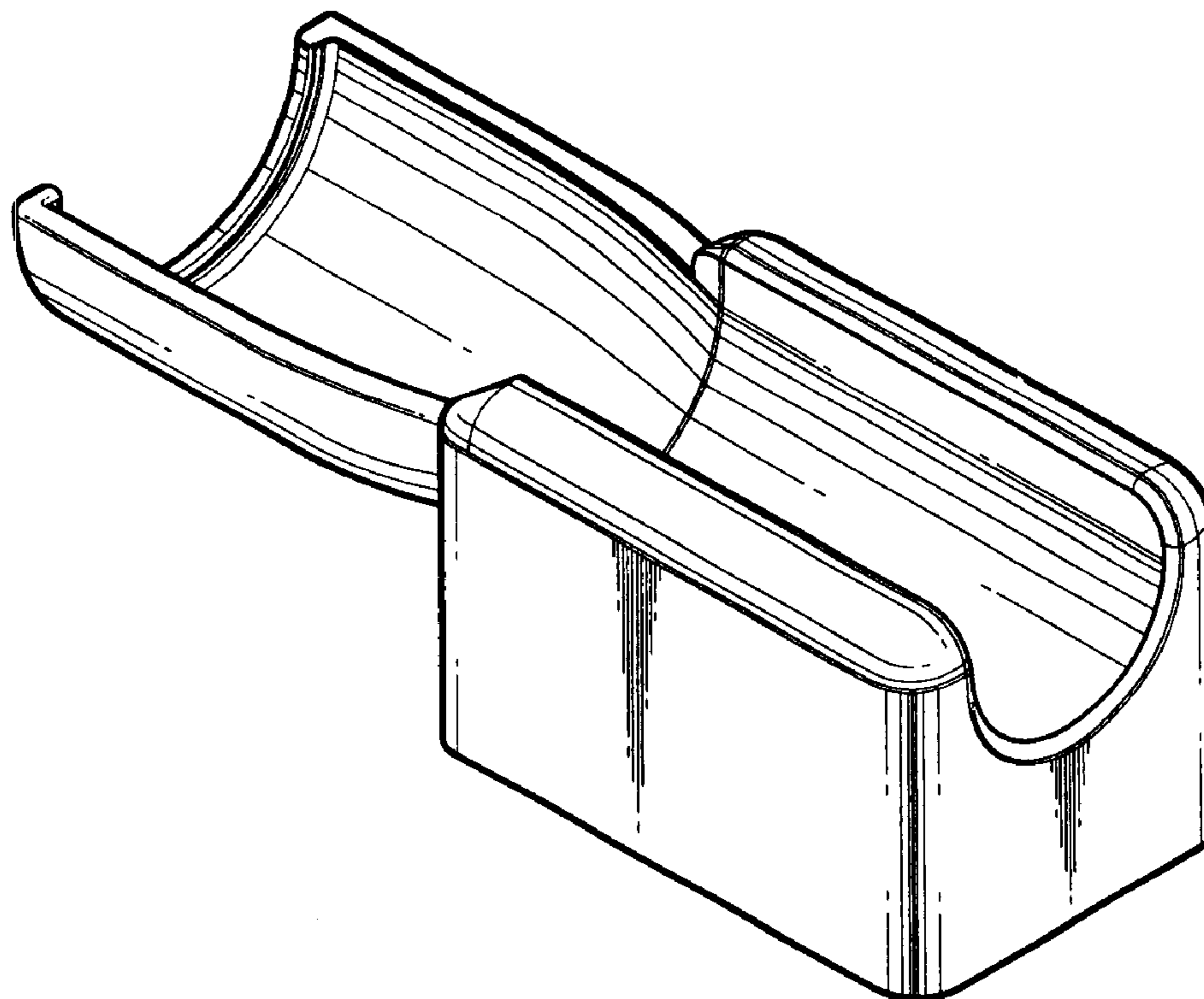
FIG. 4 is a front view of the flashlight recharger.

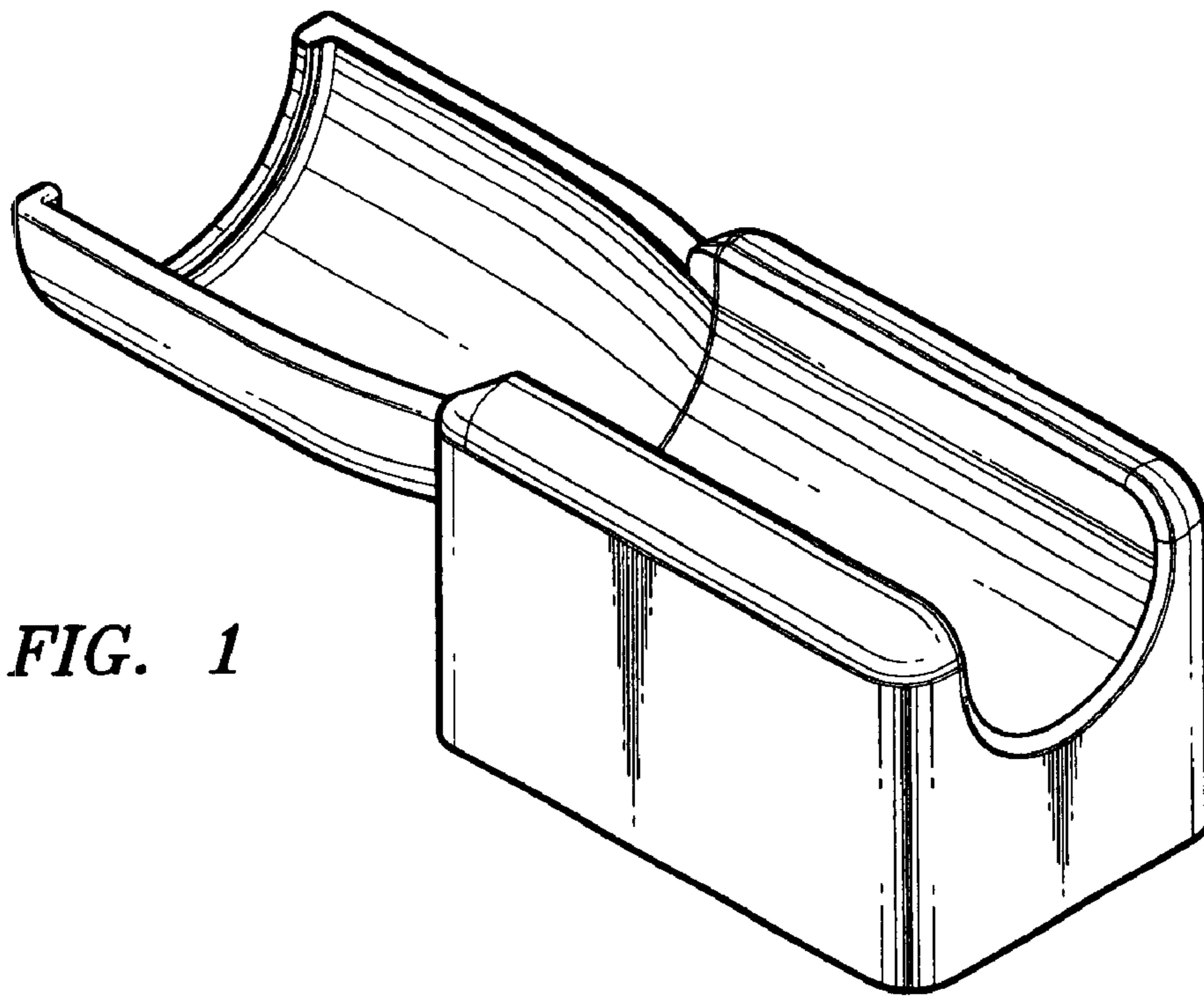
FIG. 5 is a rear view of the flashlight recharger.

FIG. 6 is a left side view of the flashlight recharger, in which  
the broken line showing of the flashlight is included for the  
purpose of illustrating environmental elements only and  
forms no part of the claimed design; and,

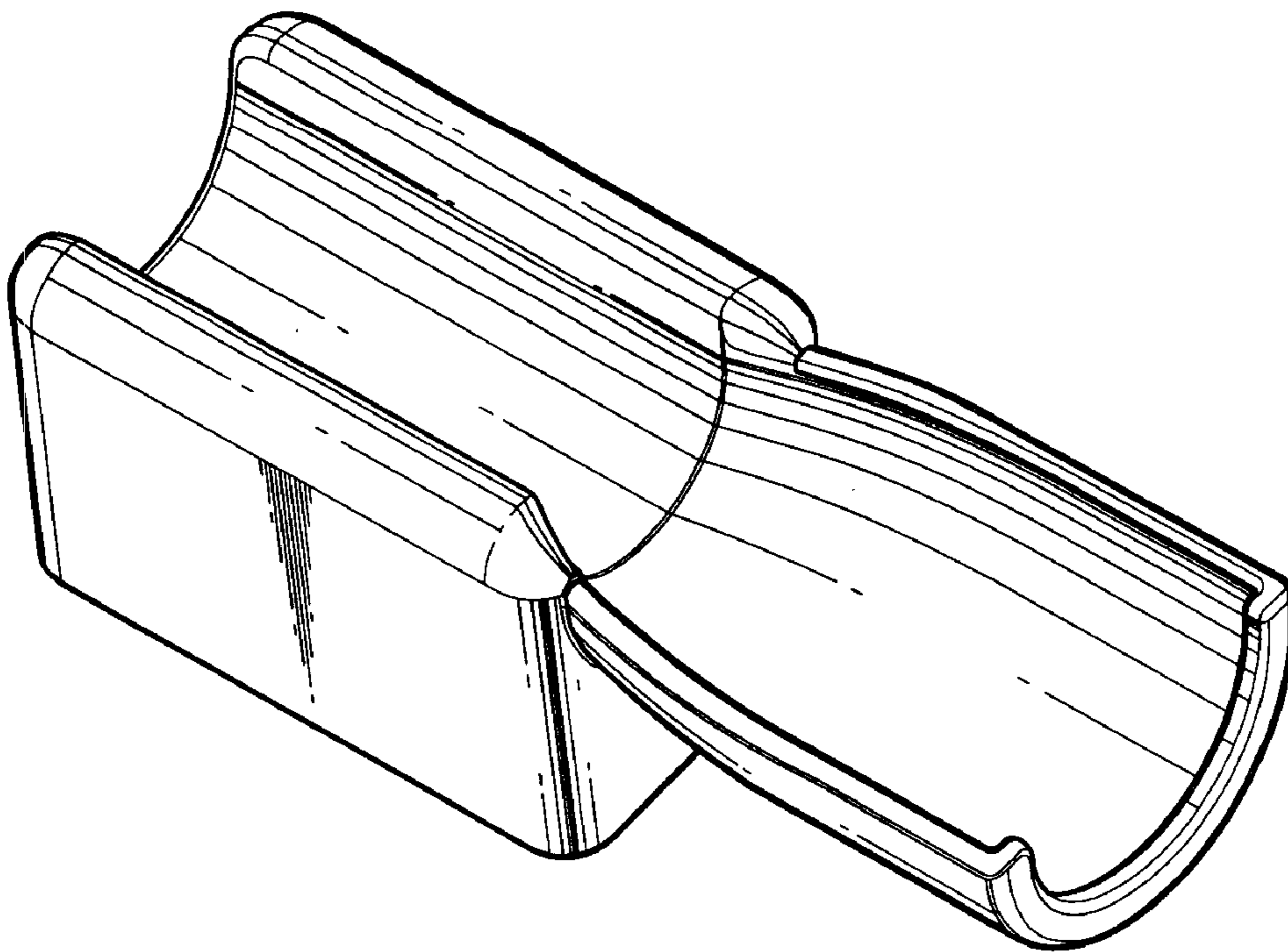
FIG. 7 is a right side view of the flashlight recharger.

**1 Claim, 3 Drawing Sheets**

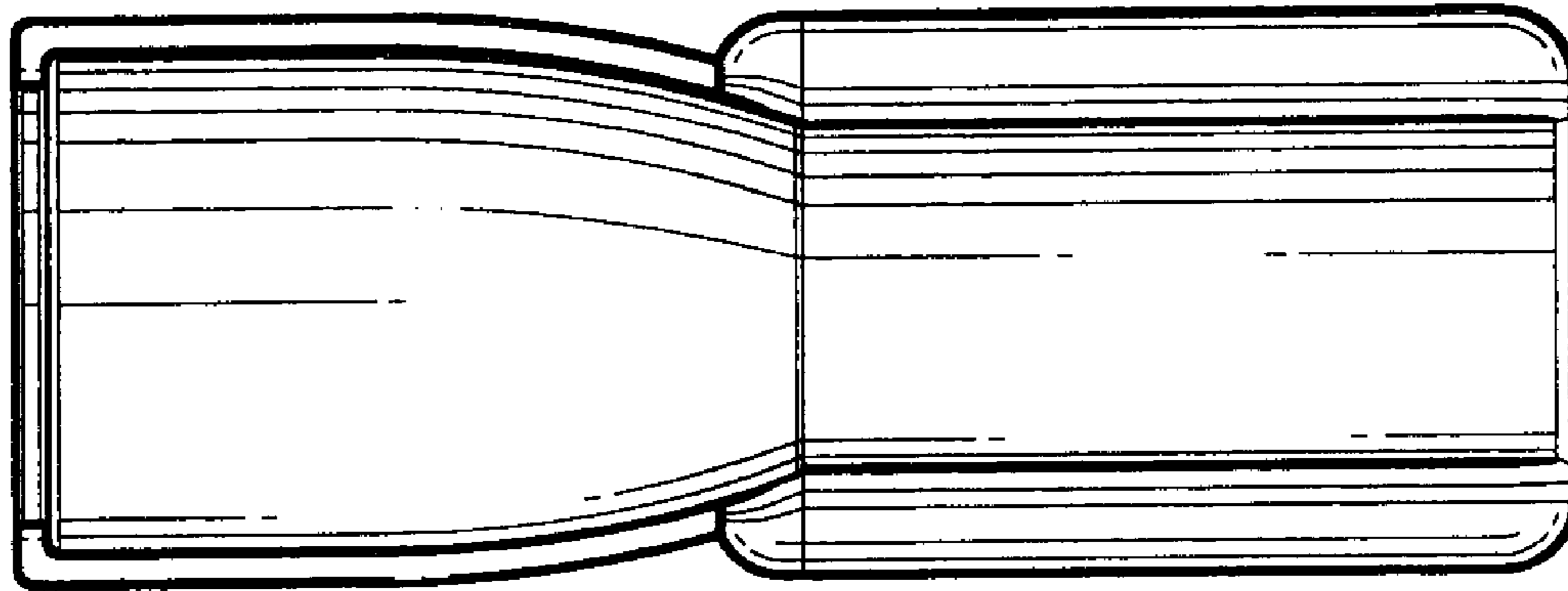




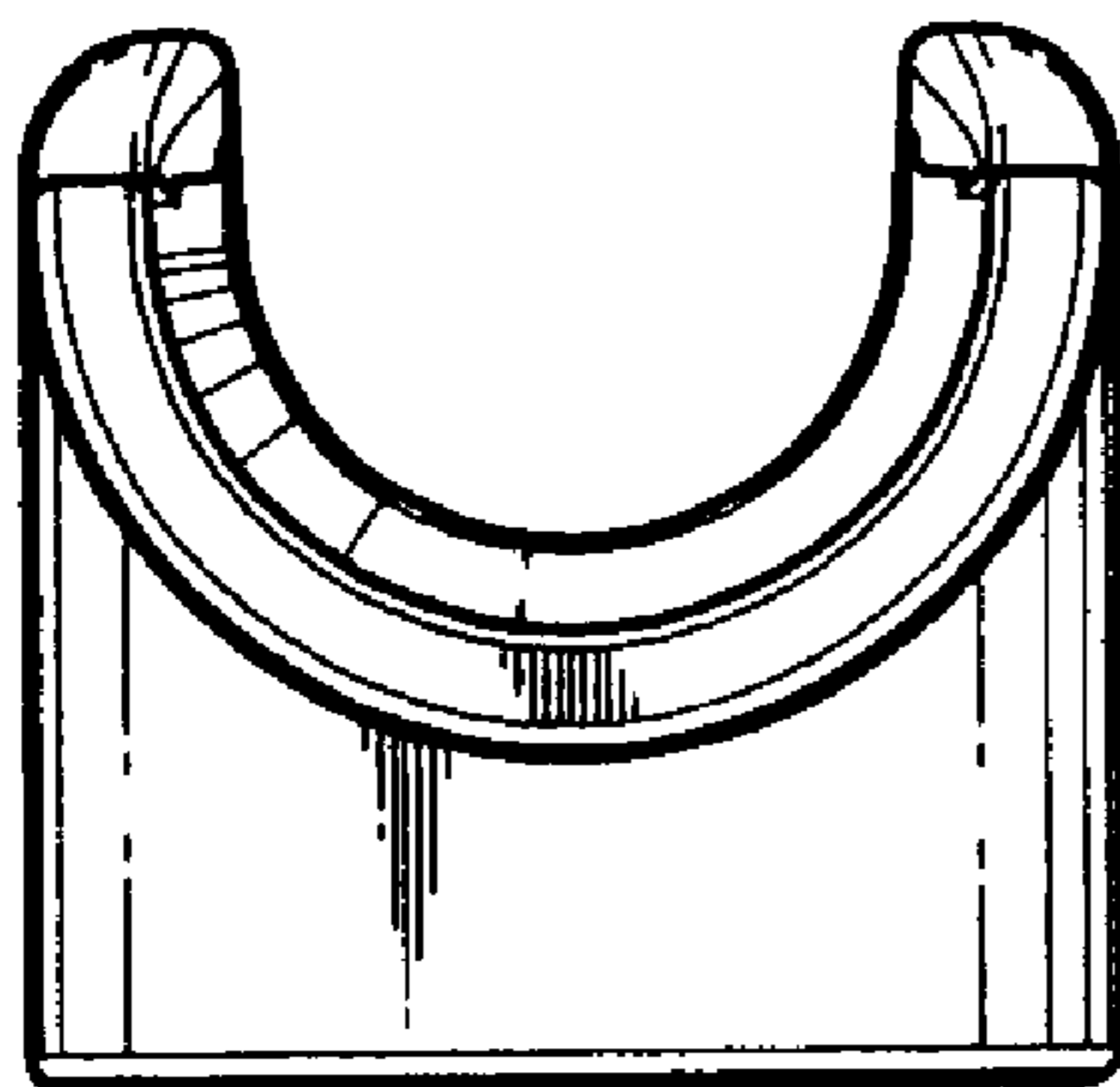
*FIG. 1*



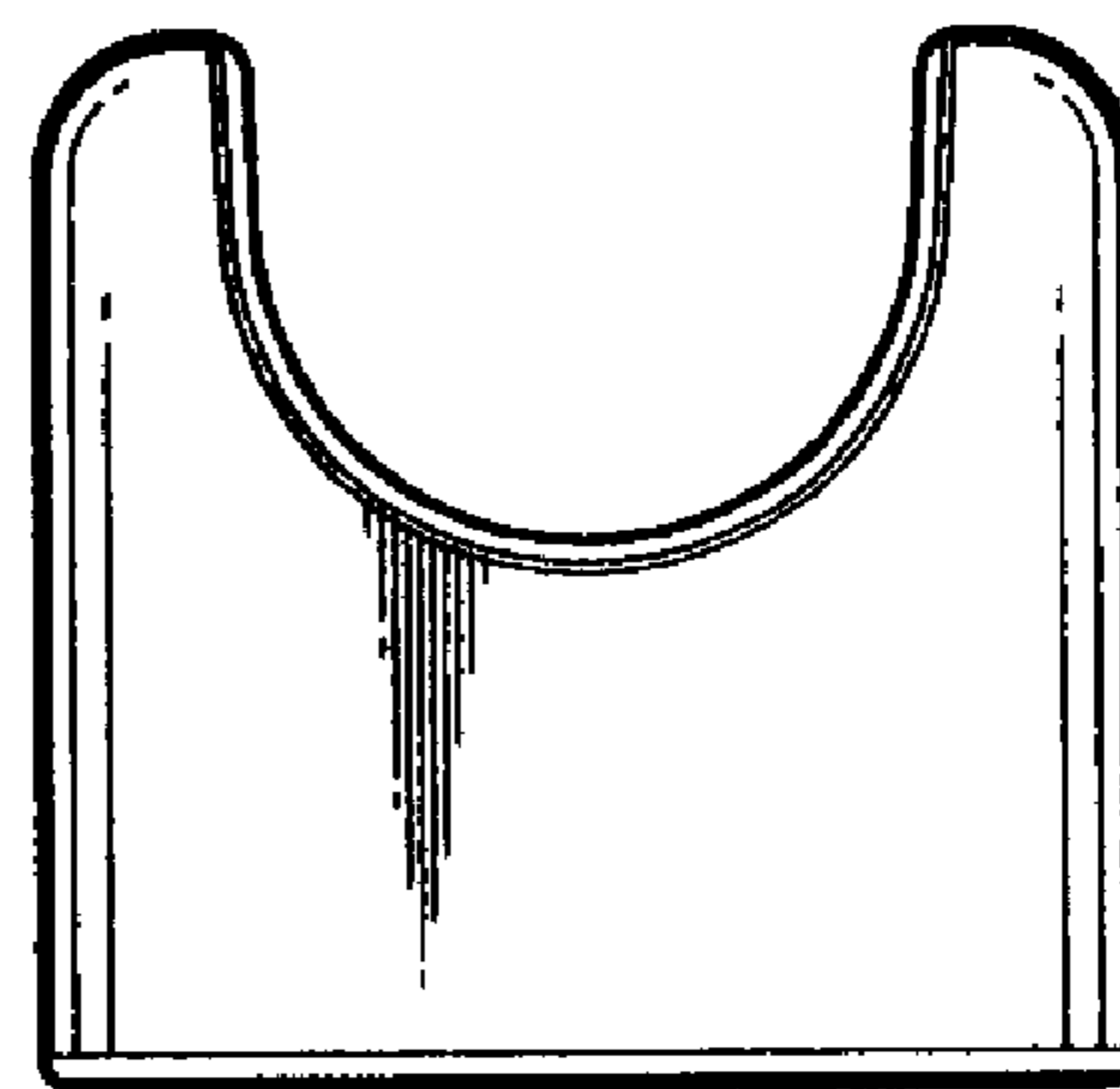
*FIG. 2*



*FIG. 3*



*FIG. 4*



*FIG. 5*

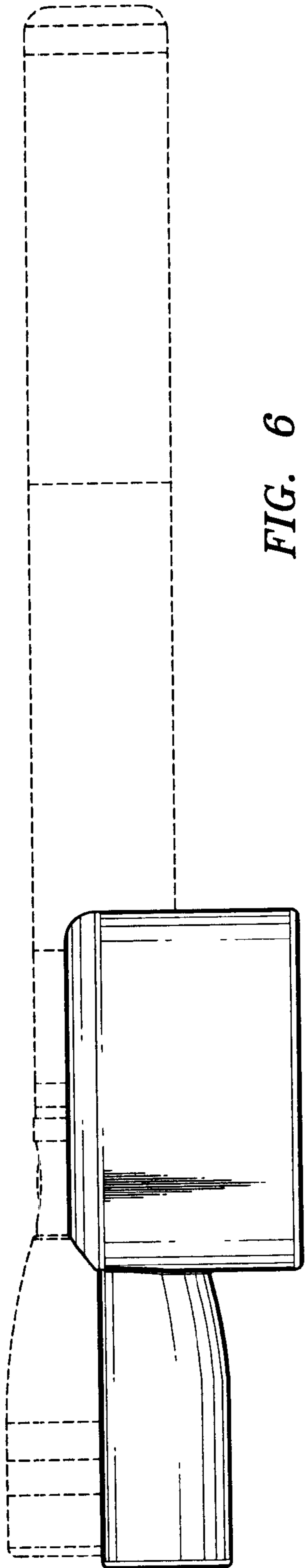


FIG. 6

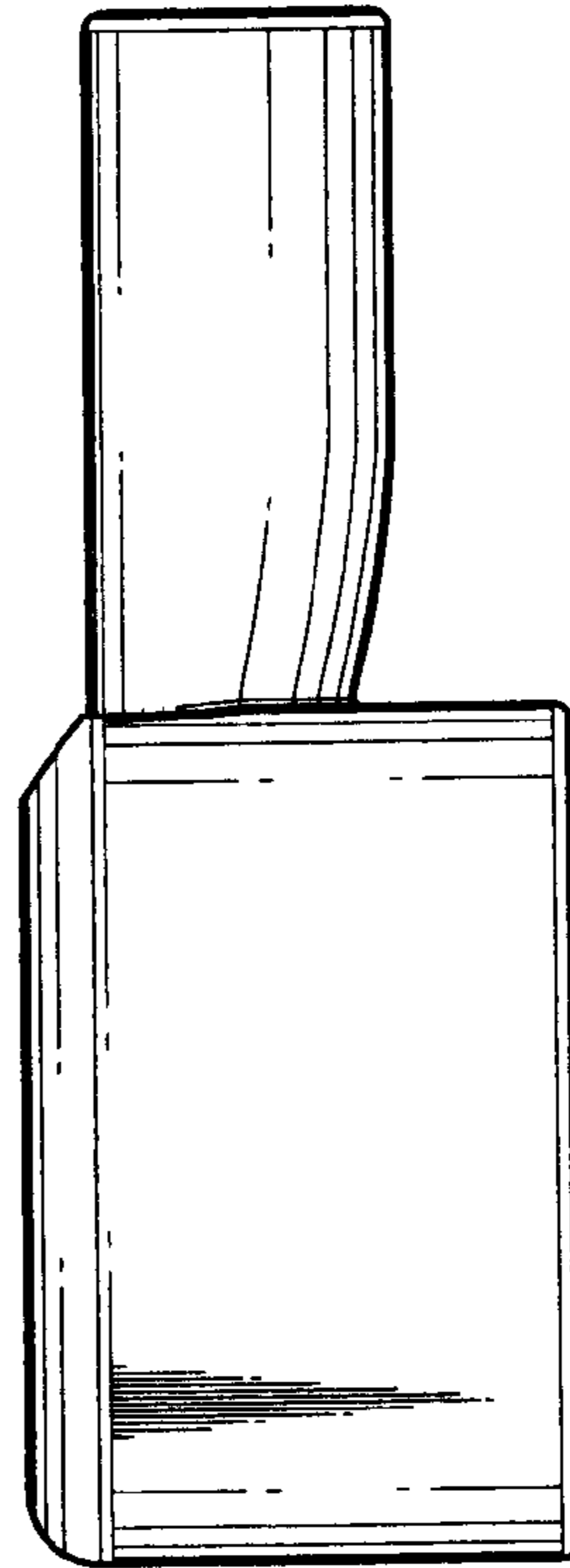


FIG. 7