



US00D526958S

(12) **United States Design Patent**
Shimizu

(10) **Patent No.:** **US D526,958 S**

(45) **Date of Patent:** **** Aug. 22, 2006**

(54) **COMBINED CHARGER AND CONNECTOR**

(75) Inventor: **Minoru Shimizu**, Tokyo (JP)

(73) Assignee: **Sony Corporation**, Tokyo (JP)

(**) Term: **14 Years**

(21) Appl. No.: **29/233,197**

(22) Filed: **Jun. 30, 2005**

(30) **Foreign Application Priority Data**

Dec. 30, 2004 (JP) D2004-040726

(51) **LOC (8) Cl.** **13-02**

(52) **U.S. Cl.** **D13/108**

(58) **Field of Classification Search** D13/107-110,
D13/118-119, 184; D14/251, 253, 432, 434;
320/107-115

See application file for complete search history.

(56) **References Cited**

U.S. PATENT DOCUMENTS

5,220,270	A	*	6/1993	Peickert	320/107
D345,977	S	*	4/1994	Nagele	D14/149
D346,798	S	*	5/1994	Nagele	D14/149
D369,797	S	*	5/1996	Hillier et al.	D14/149
D419,955	S	*	2/2000	Silzer, Jr.	D13/108
D421,443	S	*	3/2000	Nagele et al.	D14/253

D428,387	S	*	7/2000	Malloy et al.	D13/107
D433,996	S	*	11/2000	Ma	D13/110
D443,247	S	*	6/2001	Chuan et al.	D13/107
D445,760	S	*	7/2001	Minagawa et al.	D13/108
D458,219	S	*	6/2002	Ma	D13/110
D470,136	S	*	2/2003	Chin	D14/253
D500,314	S	*	12/2004	Lodato et al.	D14/253

* cited by examiner

Primary Examiner—Alan P. Douglas

Assistant Examiner—Rosemary K. Tarcza

(74) *Attorney, Agent, or Firm*—Rader, Fishman & Grauer PLLC

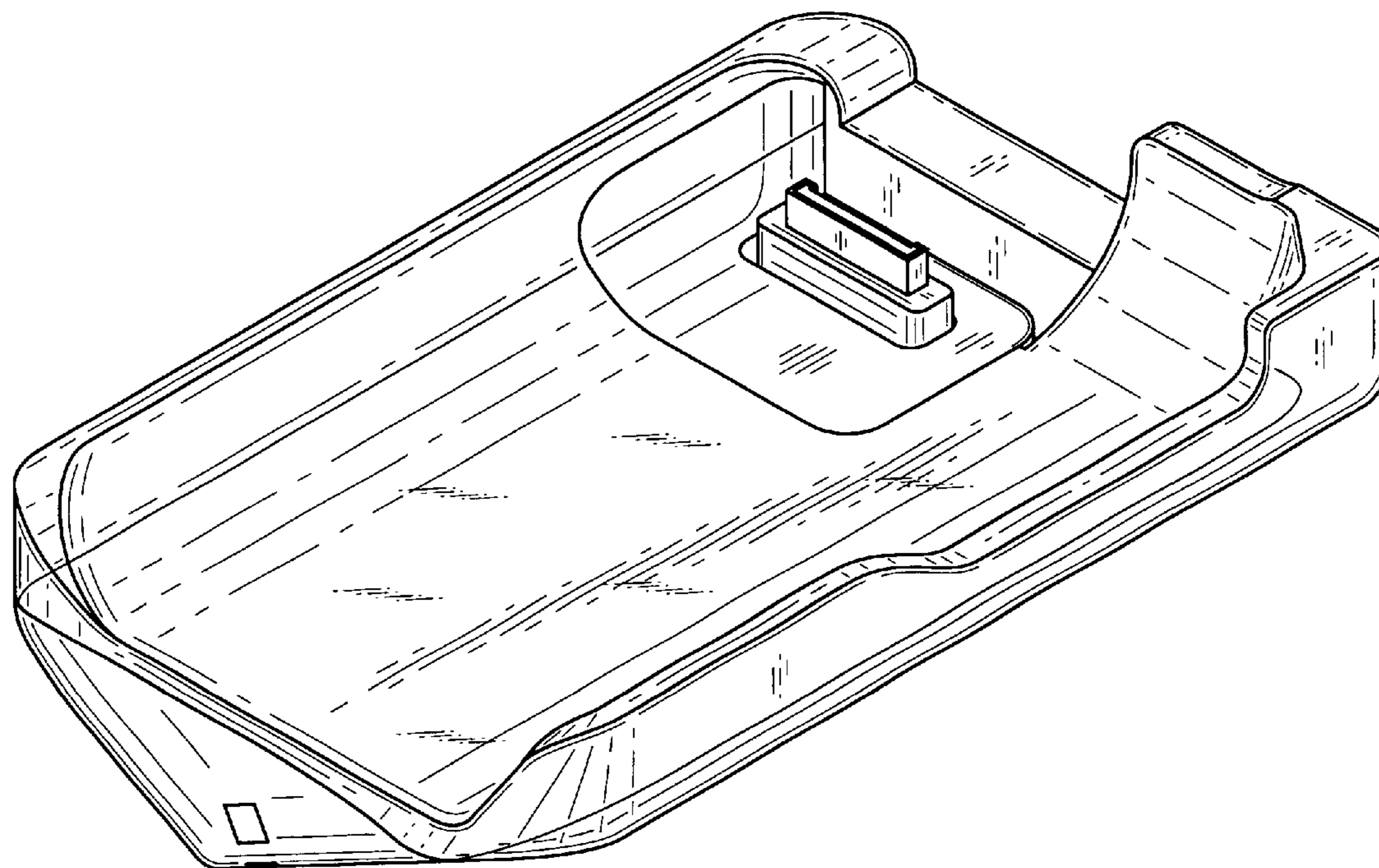
(57) **CLAIM**

The ornamental design for a combined charger and connector, as shown.

DESCRIPTION

FIG. 1 is a perspective view of a combined charger and connector showing my new design; FIG. 2 is a front elevational view thereof; FIG. 3 is a rear elevational view thereof; FIG. 4 is a left side elevational view thereof; FIG. 5 is a right side elevational view thereof; FIG. 6 is a top plan view thereof; and, FIG. 7 is a bottom plan view thereof.

1 Claim, 7 Drawing Sheets



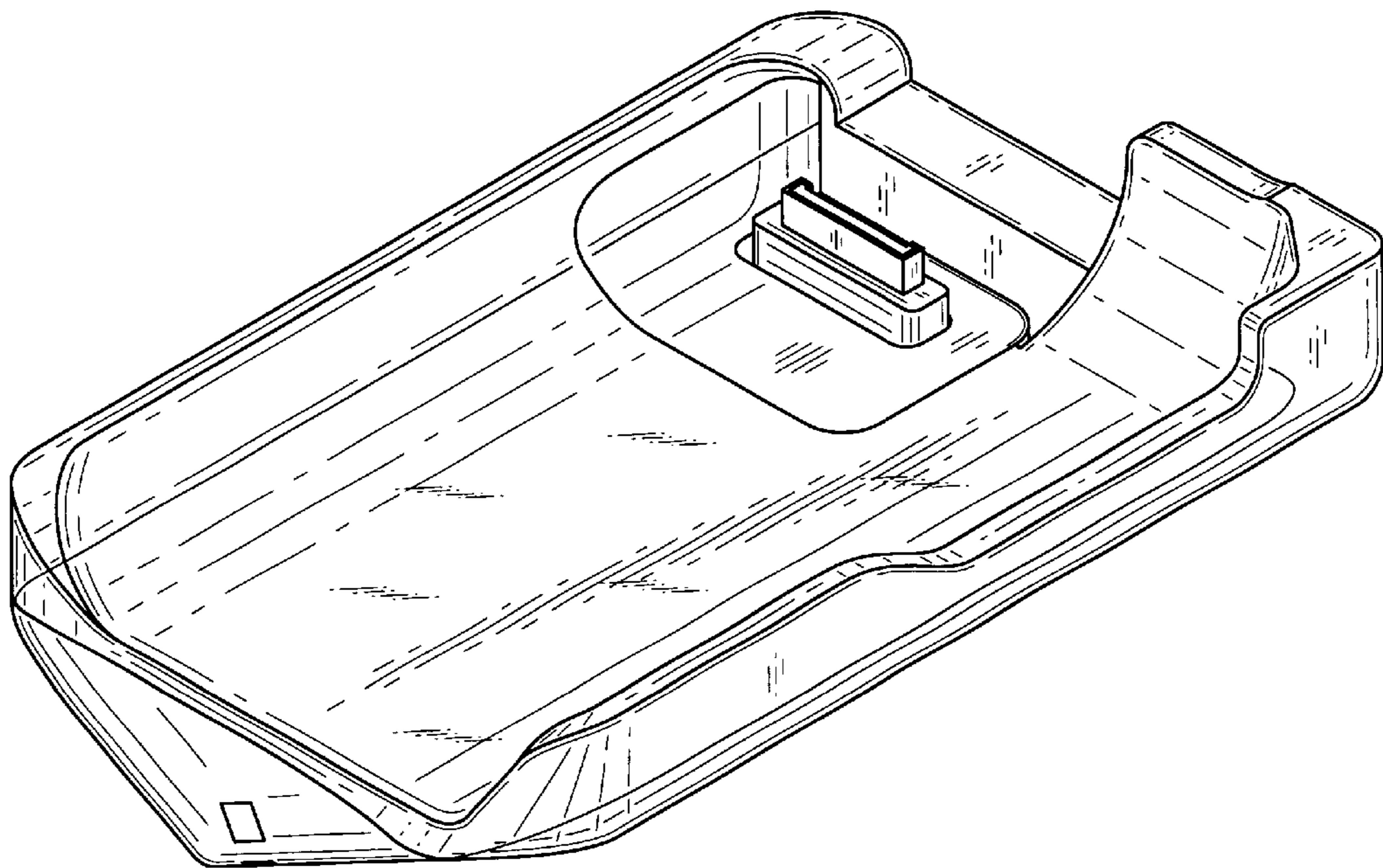


FIG. 1

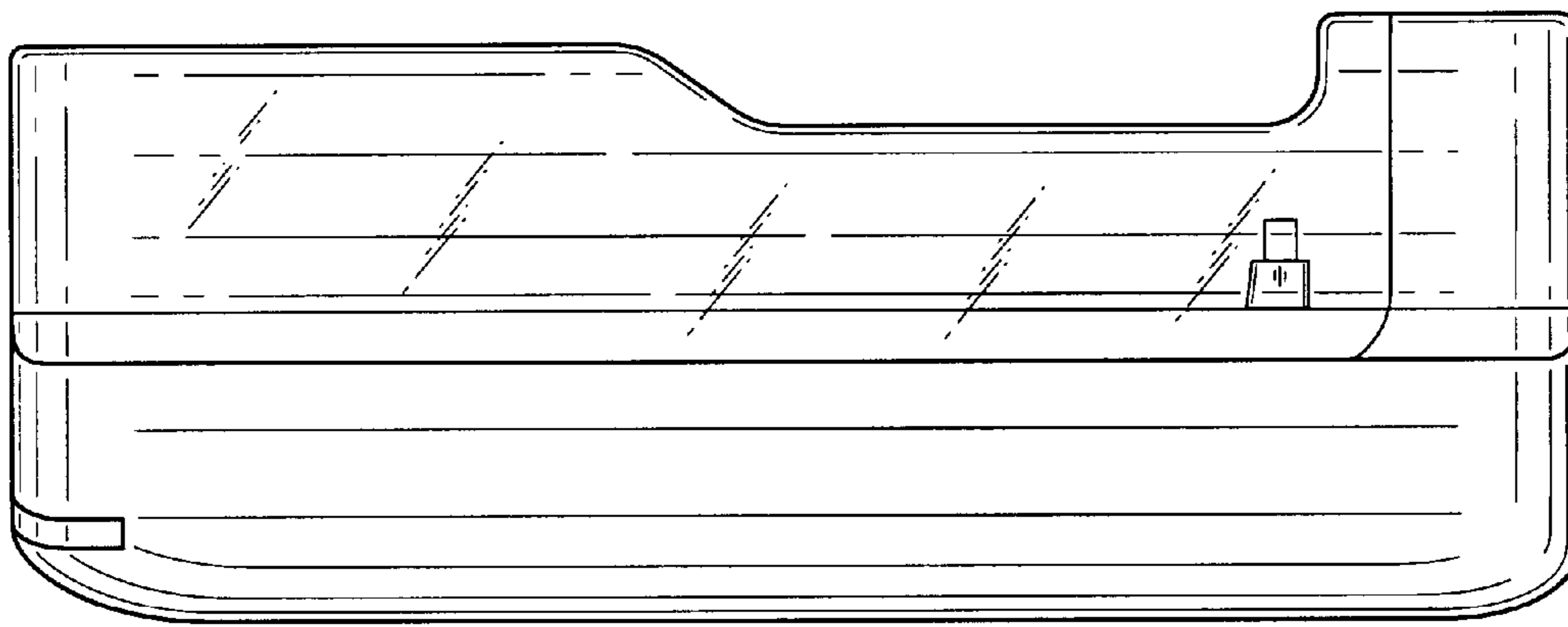


FIG. 2

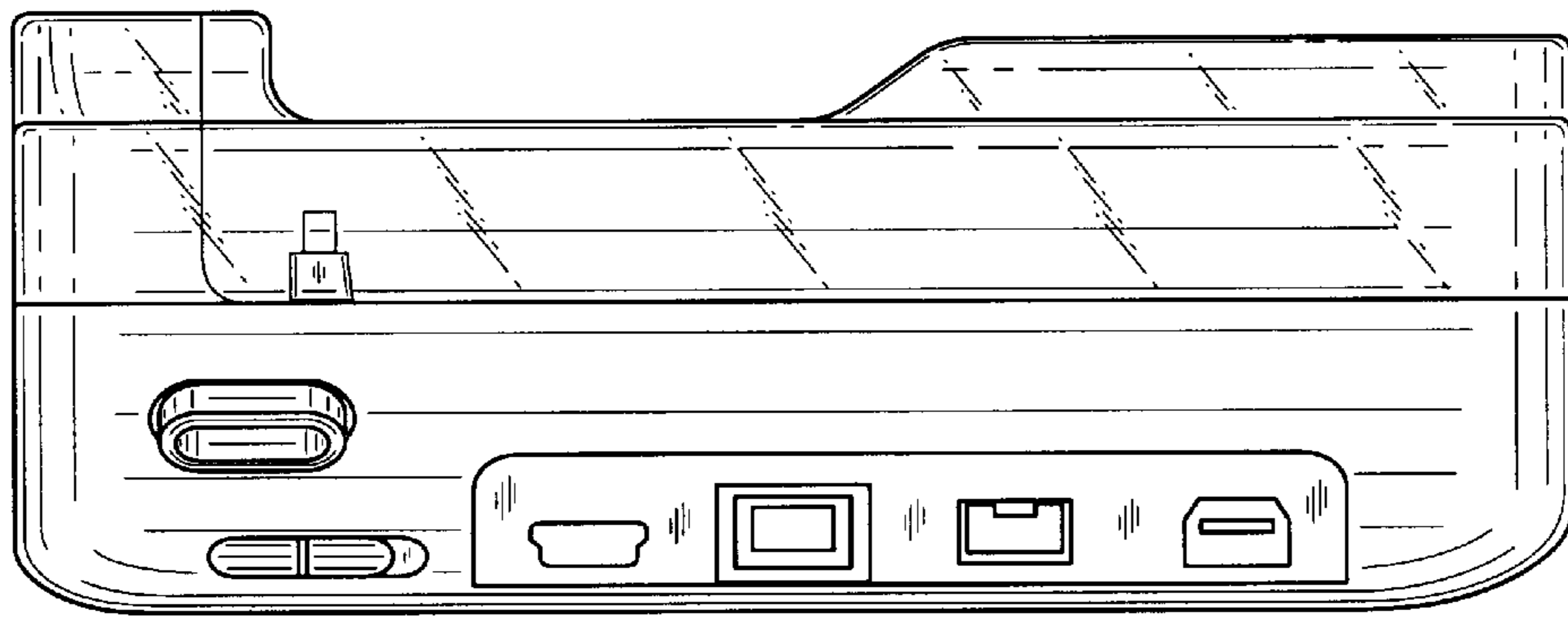


FIG. 3

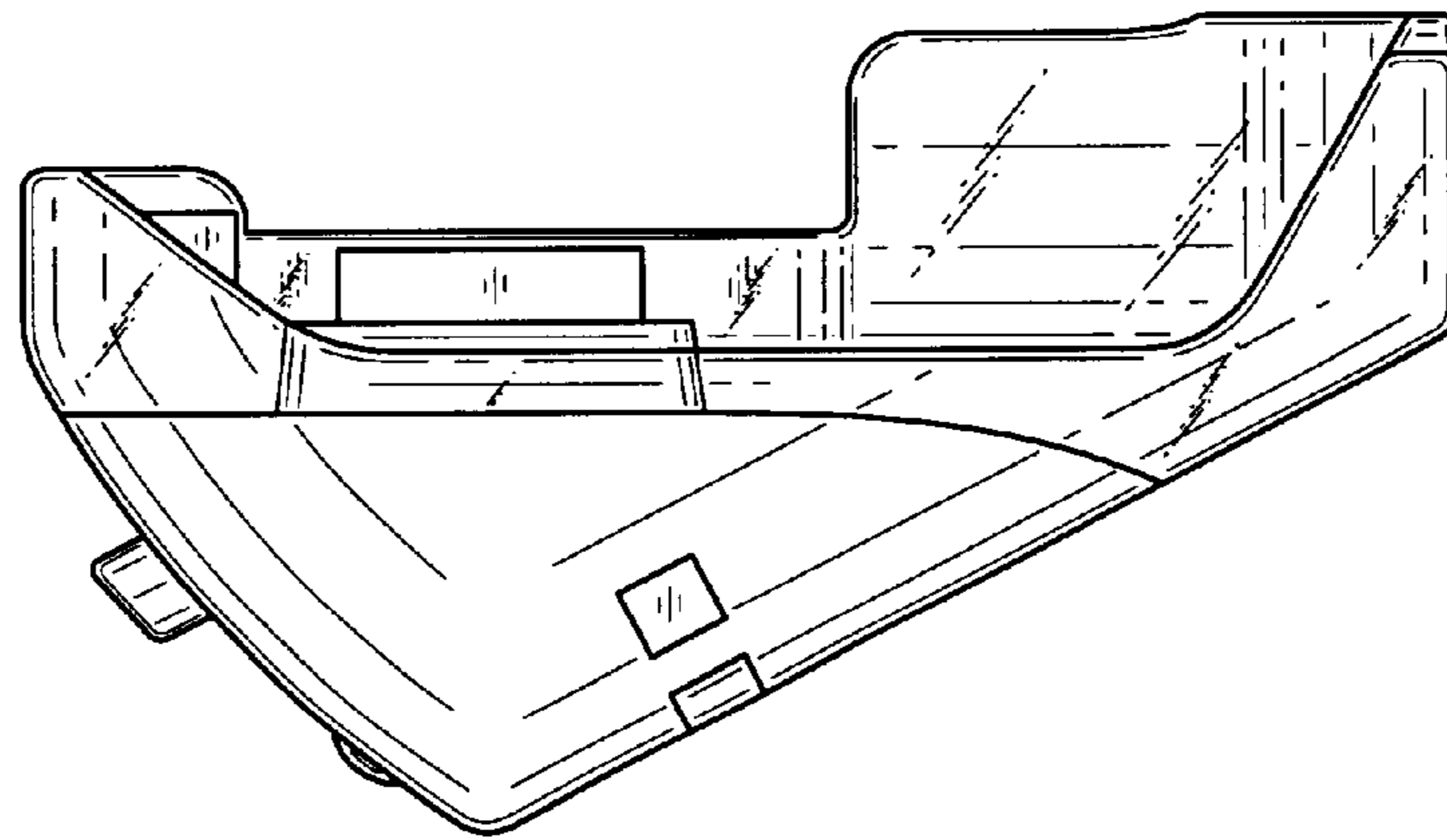


FIG. 4

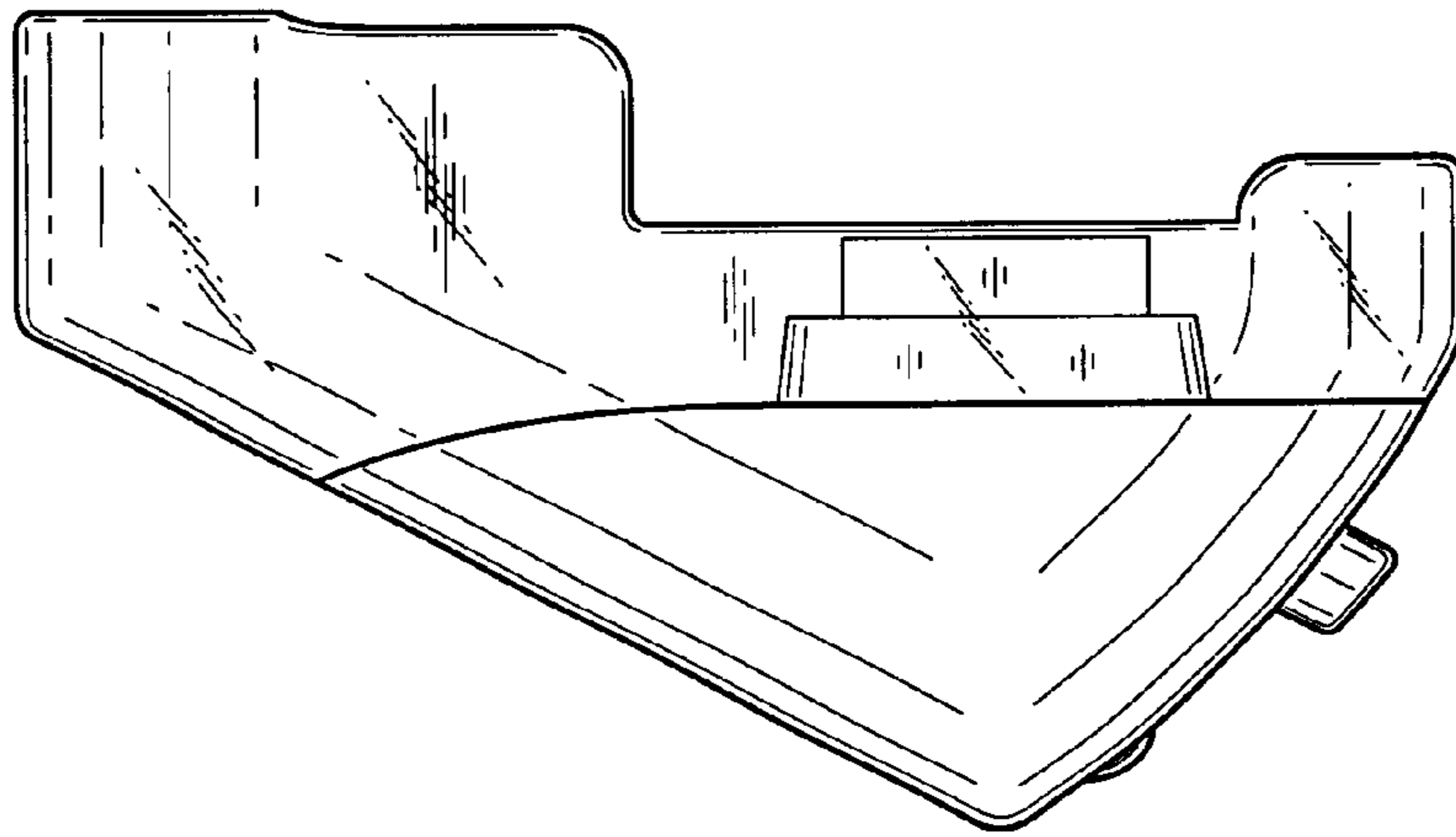


FIG. 5

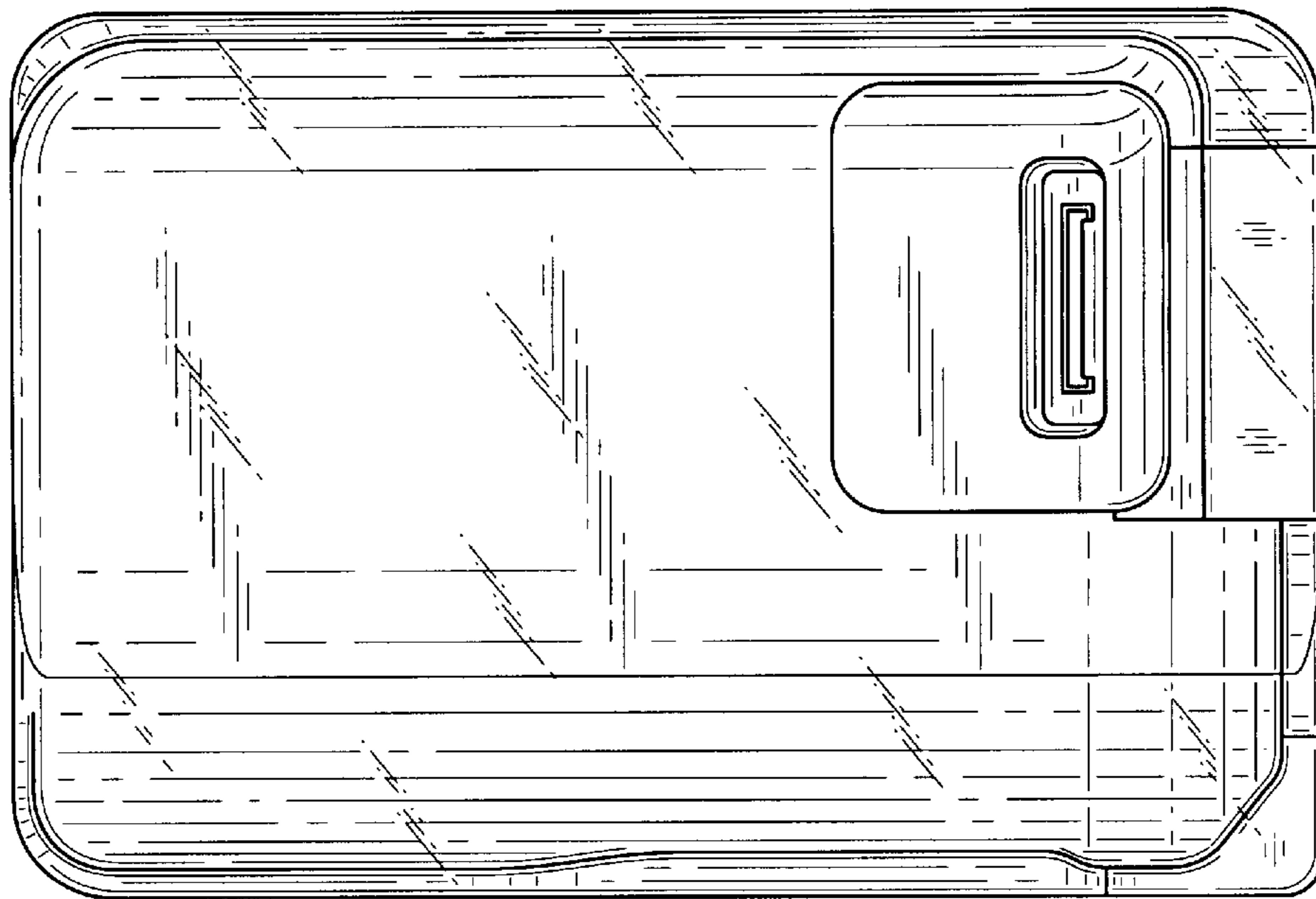


FIG. 6

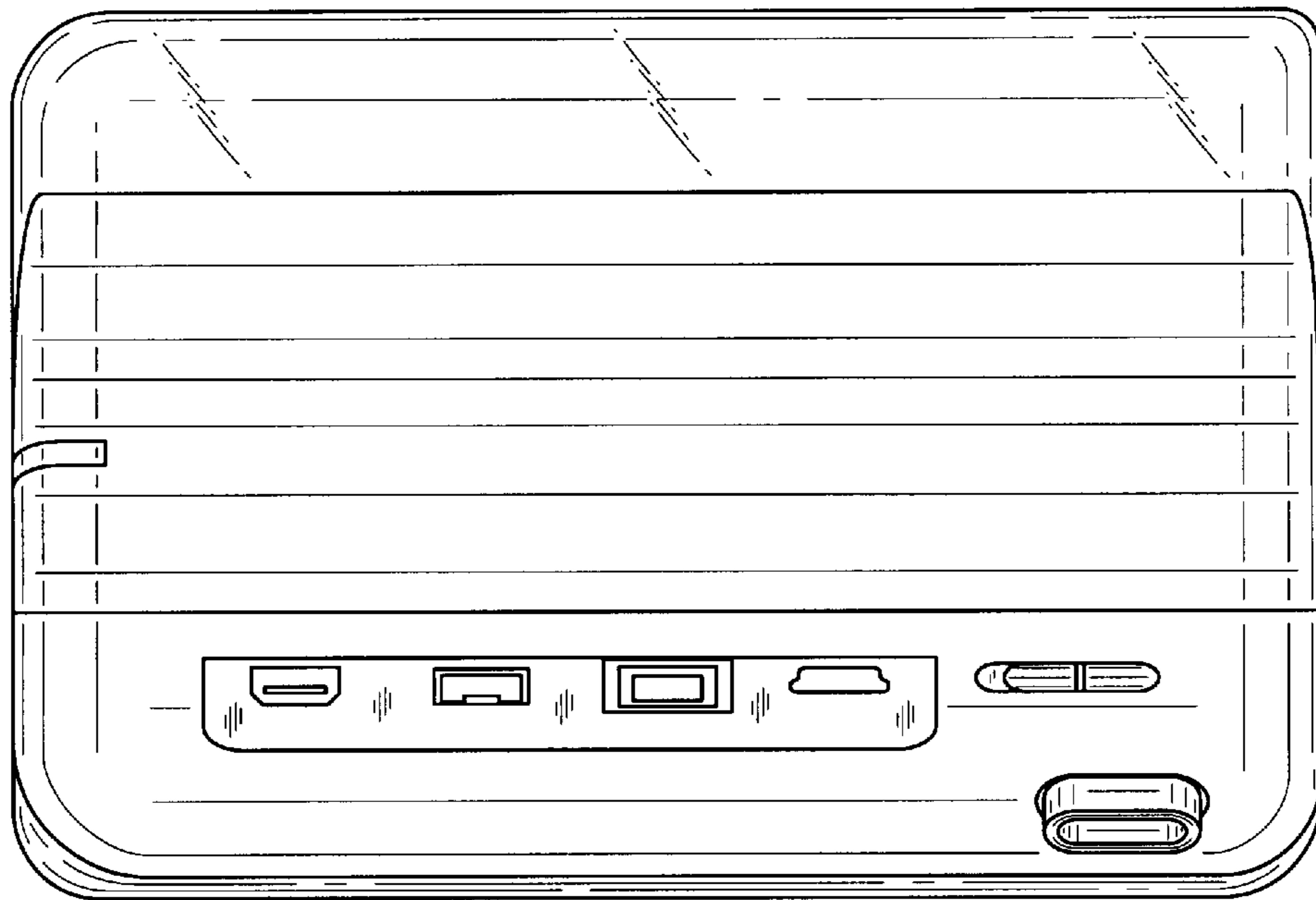


FIG. 7