



US00D526953S

(12) **United States Design Patent**
Hall et al.

(10) **Patent No.:** **US D526,953 S**

(45) **Date of Patent:** **** Aug. 22, 2006**

(54) **CUP HOLDER**

(75) Inventors: **Phillip J. Hall**, Denton, TX (US);
Louis D. Heilaneh, Lewisville, TX
(US); **Kunjithapadam Raghavendran**,
Denton, TX (US)

(73) Assignee: **PACCAR Inc**, Bellevue, WA (US)

(**) Term: **14 Years**

(21) Appl. No.: **29/225,776**

(22) Filed: **Mar. 18, 2005**

(51) **LOC (8) Cl.** **12-16**

(52) **U.S. Cl.** **D12/419**

(58) **Field of Classification Search** D12/415-419,
D12/421-423, 195, 192; 296/37.1, 37.6,
296/37.8, 37.13-37.16; 224/275-276, 42.11,
224/926, 539-543; 280/750-752, 770, 762;
297/411.26, 411.23; 180/90; D15/28; D7/619.1-625,
D7/509, 523

See application file for complete search history.

(56) **References Cited**

U.S. PATENT DOCUMENTS

D371,538 S * 7/1996 Ferrigan D12/419

D375,719 S * 11/1996 Schlangen et al. D12/419
D444,120 S * 6/2001 Smith D12/419
D447,998 S * 9/2001 Pfeiffer et al. D12/415
D448,001 S * 9/2001 Pfeiffer et al. D12/419
D490,044 S * 5/2004 Smith D12/419

* cited by examiner

Primary Examiner—Stacia Cadmus

(74) *Attorney, Agent, or Firm*—Sidley Austin LLP

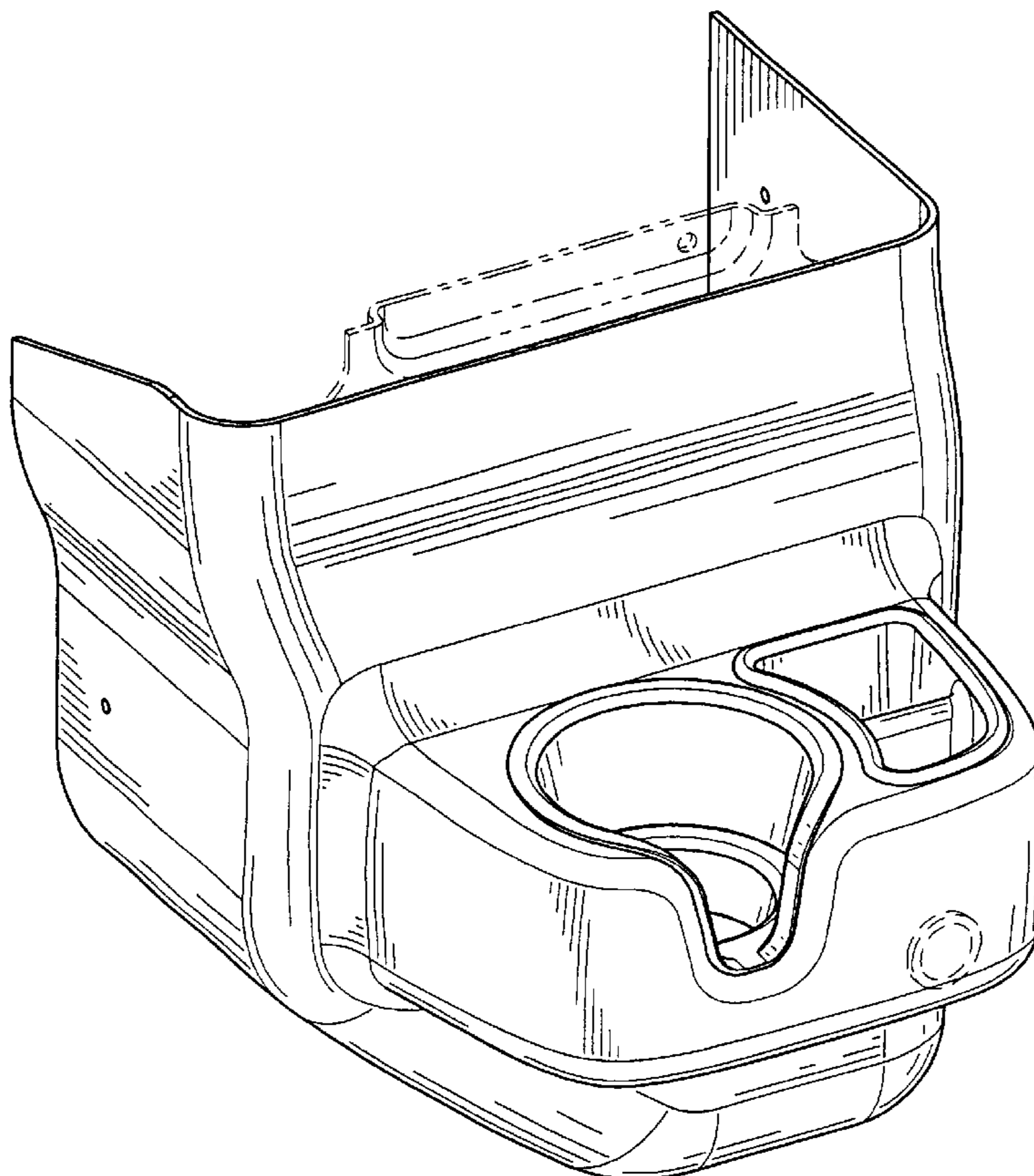
(57) **CLAIM**

The ornamental design for a cup holder, as shown and described.

DESCRIPTION

FIG. 1 is an oblique view of a cup holder showing our new design;
FIG. 2 is a front view of the cup holder shown in FIG. 1;
FIG. 3 is a right side view of the cup holder shown in FIG. 1;
FIG. 4 is a left side view of the cup holder shown in FIG. 1;
FIG. 5 is a rear view of the cup holder shown in FIG. 1;
FIG. 6 is a top view of the cup holder shown in FIG. 1; and,
FIG. 7 is a bottom view of the cup holder shown in FIG. 1.
The broken line showing part of the dashboard in FIG. 1 depicts environment and is not part of the claimed design.

1 Claim, 4 Drawing Sheets



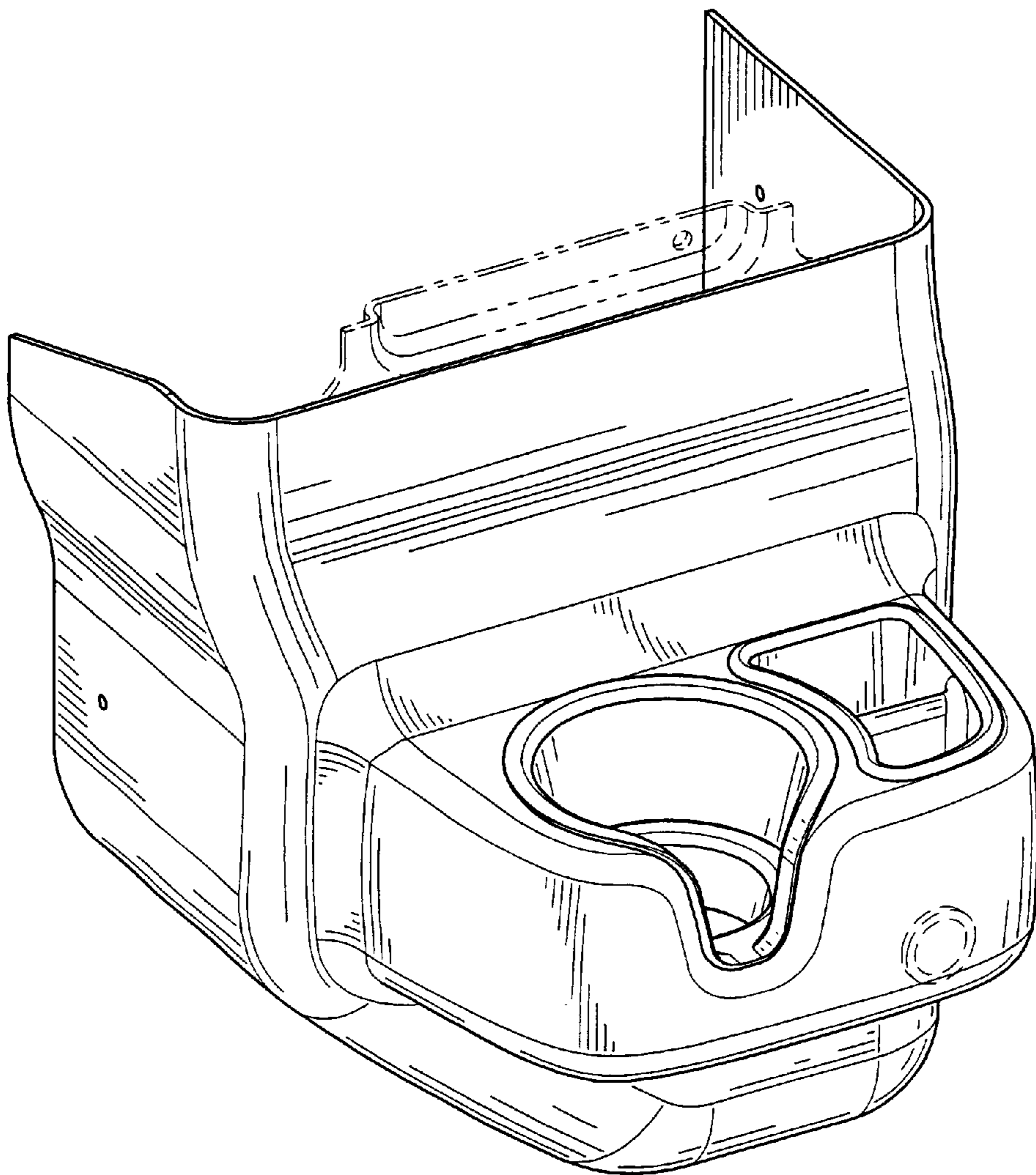


FIG. 1

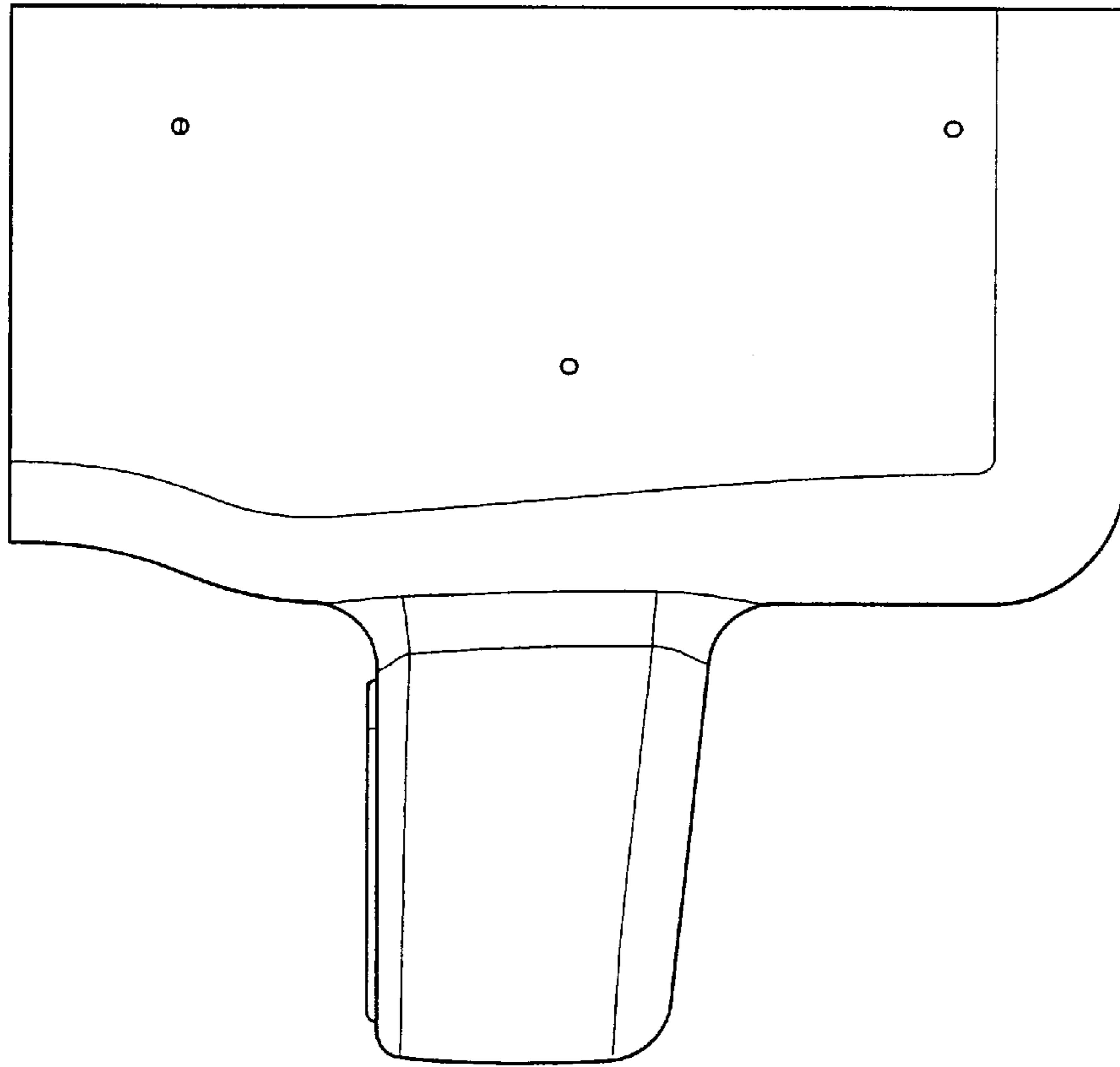


FIG. 3

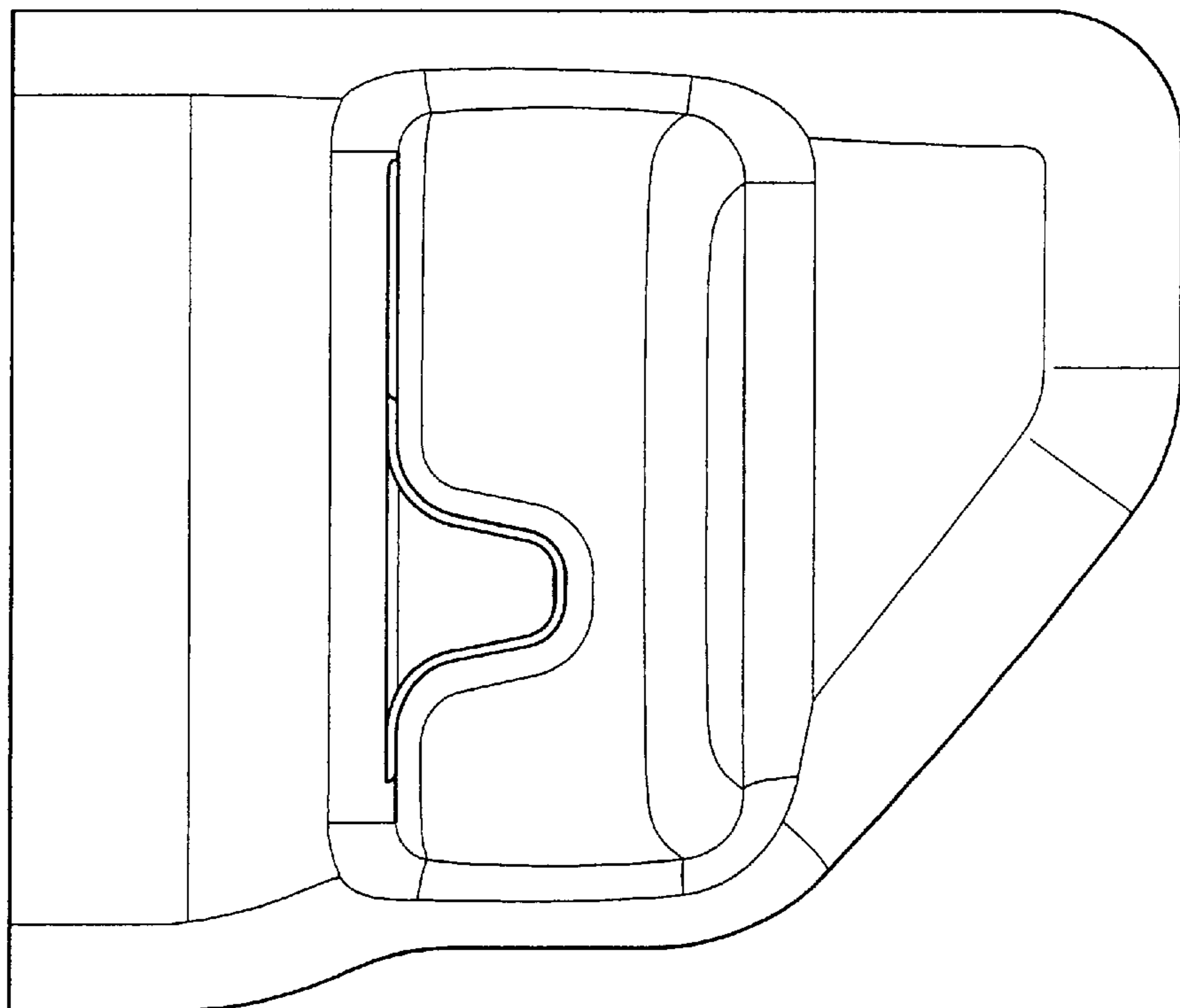


FIG. 2

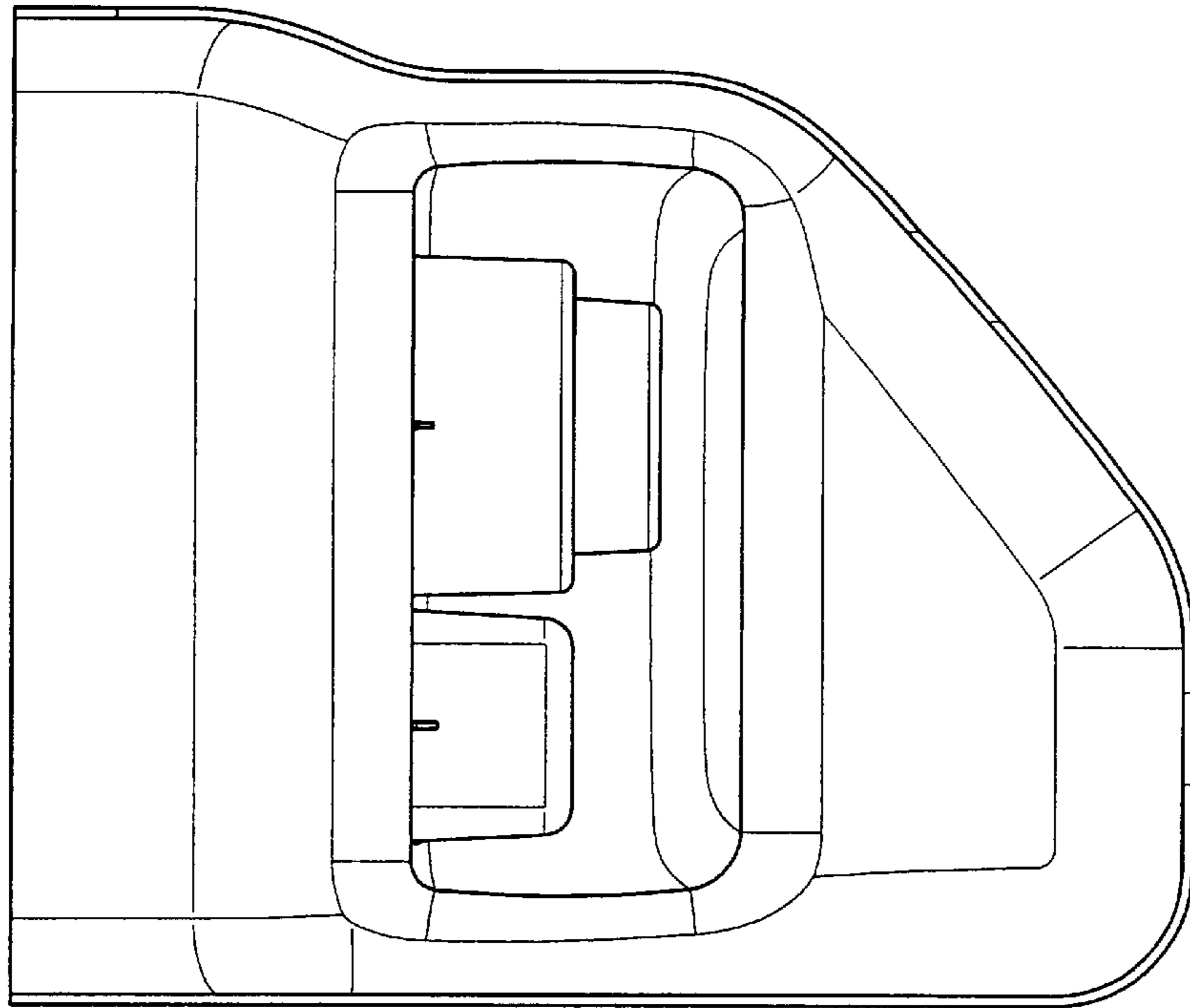


FIG. 5

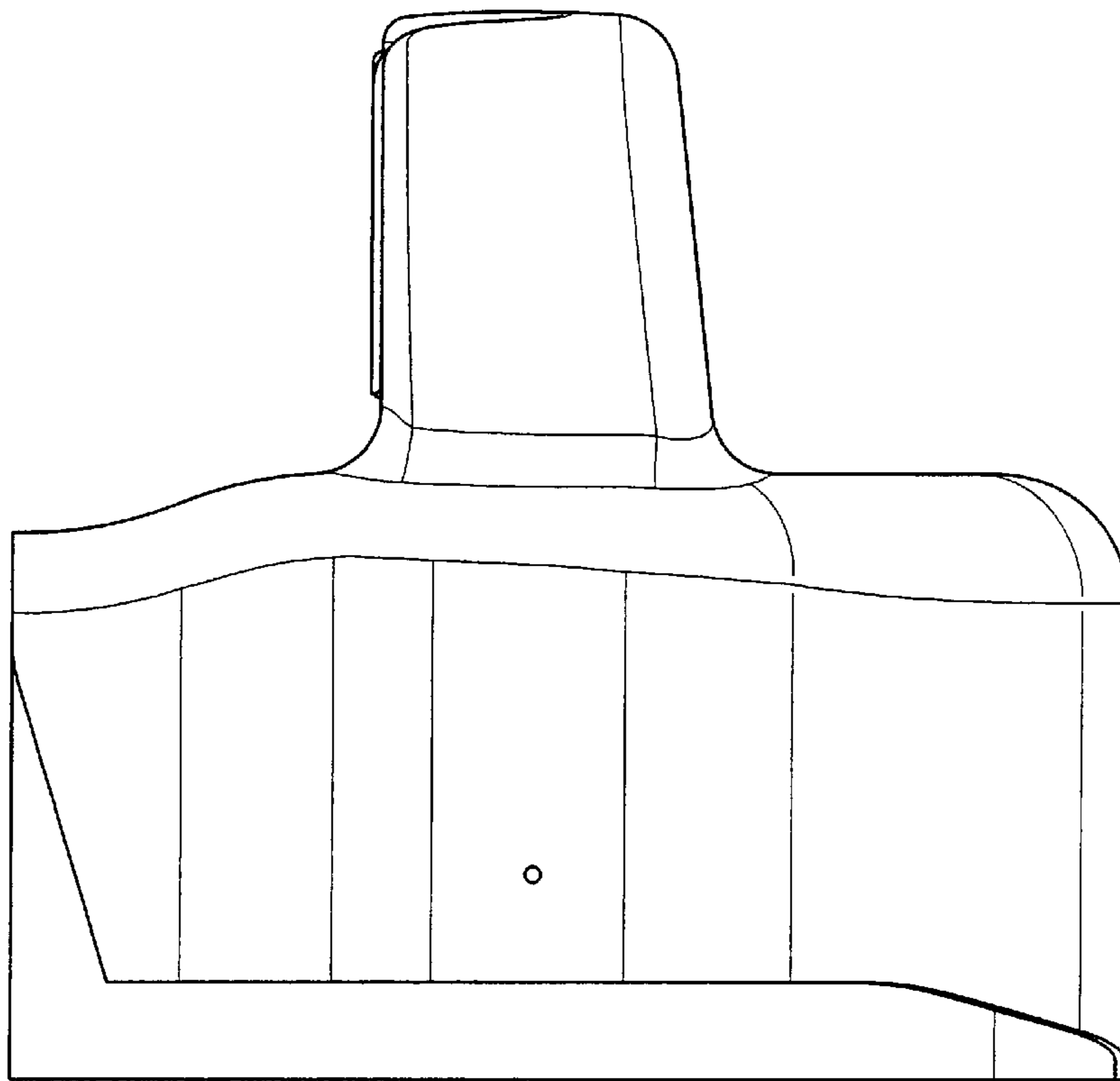


FIG. 4

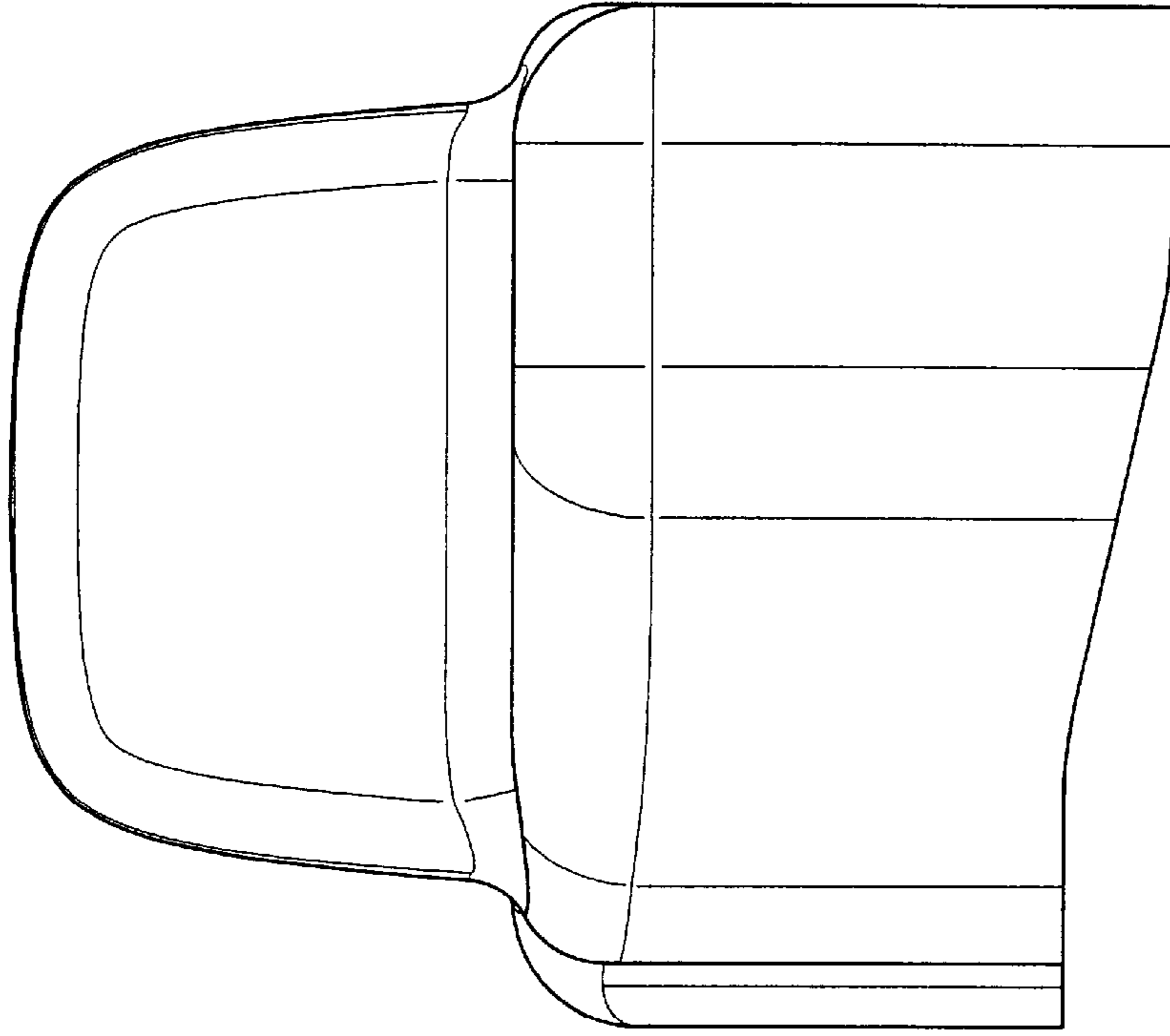


FIG. 7

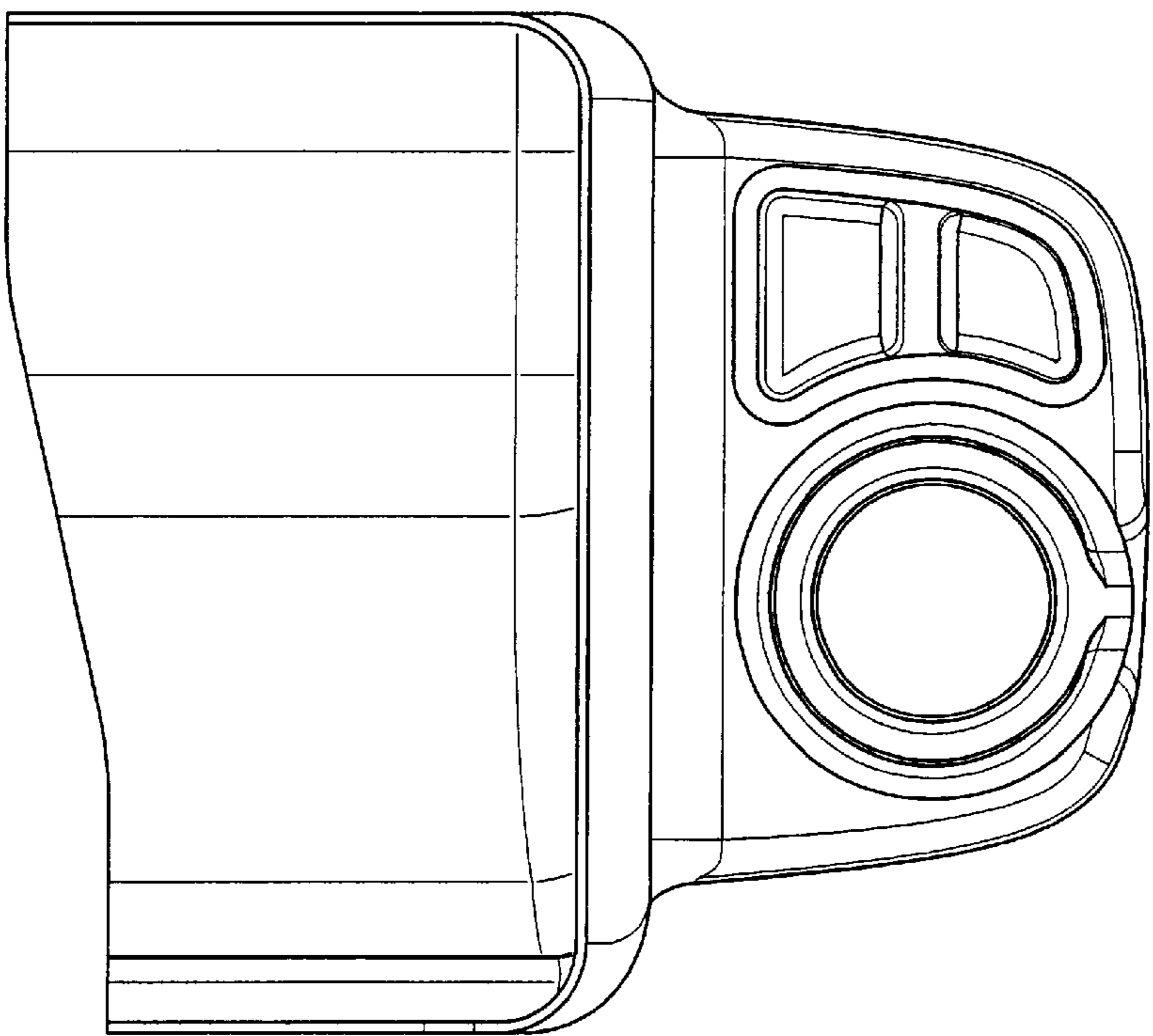


FIG. 6