



US00D526952S

(12) **United States Design Patent**
Stahel et al.

(10) **Patent No.:** **US D526,952 S**

(45) **Date of Patent:** **** Aug. 22, 2006**

(54) **PIVOTING PASSENGER ARM REST FOR A MOTORCYCLE**

4,695,096 A 9/1987 Kincaid 297/417
6,164,725 A 12/2000 Santa Cruz et al. 297/411.29

(75) Inventors: **Alwin J. Stahel**, St. Paul, MN (US);
Brian K. Stahel, New Brighton, MN (US)

* cited by examiner

Primary Examiner—Alan P. Douglas

Assistant Examiner—Linda Brooks

(73) Assignee: **Kurakyn Holdings, Inc.**, Somerset, WI (US)

(74) *Attorney, Agent, or Firm*—Dicke, Billig & Czaja, PLLC

(**) Term: **14 Years**

(57) **CLAIM**

(21) Appl. No.: **29/215,546**

The ornamental design for a pivoting passenger arm rest for a motorcycle, as shown and described.

(22) Filed: **Oct. 20, 2004**

DESCRIPTION

(51) **LOC (8) Cl.** **12-16**

(52) **U.S. Cl.** **D12/411**

(58) **Field of Classification Search** D12/110,
D12/114, 407, 411, 419, 421, 425; D6/501,
D6/502, 354, 567, 574; D7/552.1; 224/400,
224/413, 425, 427, 430, 433, 42.11, 417,
224/926; 297/188.04, 188.17, 411.21–411.29,
297/411.35, 411.37; 280/288.4, 304.3, 304.4,
280/304.5; 180/219

FIG. 1 is a perspective view of a pivoting passenger armrest for a motorcycle embodying a first form of our new design;

FIG. 2 is a top plan view thereof, with the drink container holder in folded, non-use position;

FIG. 3 is a front elevational view of FIG. 2;

FIG. 4 is a right side view of FIG. 2;

FIG. 5 is a left side view of FIG. 2;

FIG. 6 is a rear elevational view of FIG. 2; and,

FIG. 7 is a bottom plan view of FIG. 2.

The dotted line representations form no part of the claimed design.

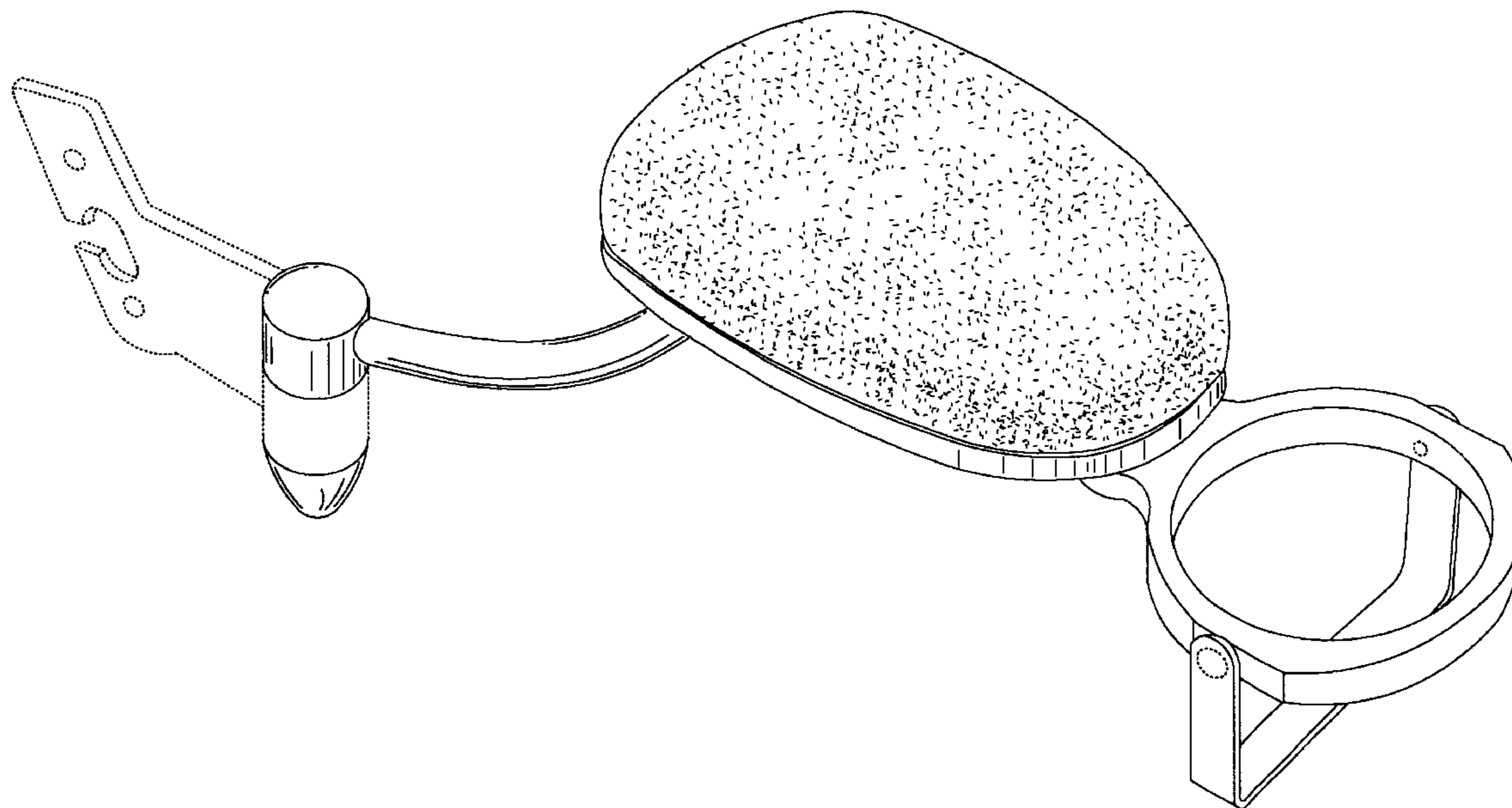
See application file for complete search history.

(56) **References Cited**

U.S. PATENT DOCUMENTS

D270,506 S * 9/1983 Thorne D6/574

1 Claim, 7 Drawing Sheets



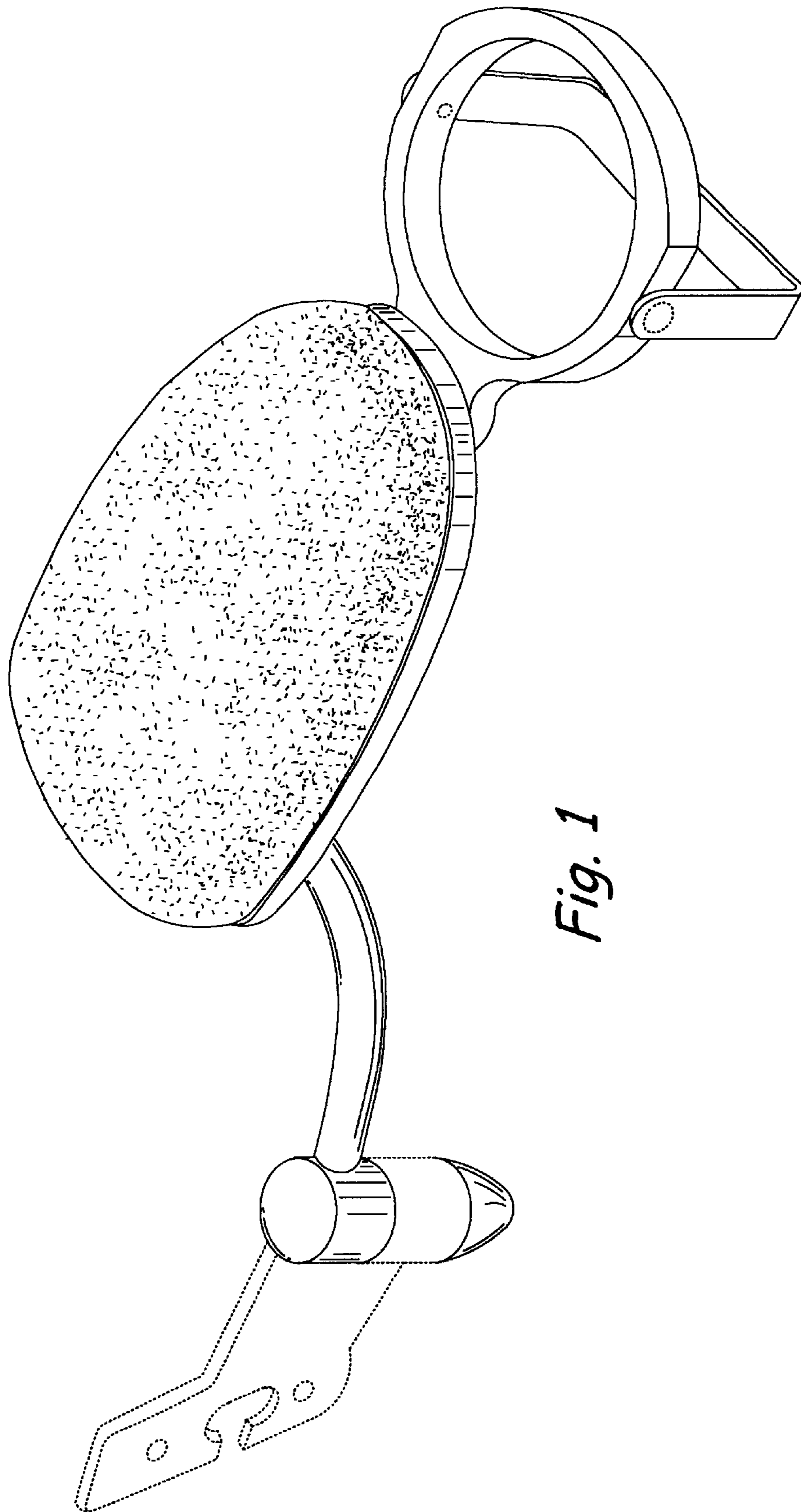


Fig. 1

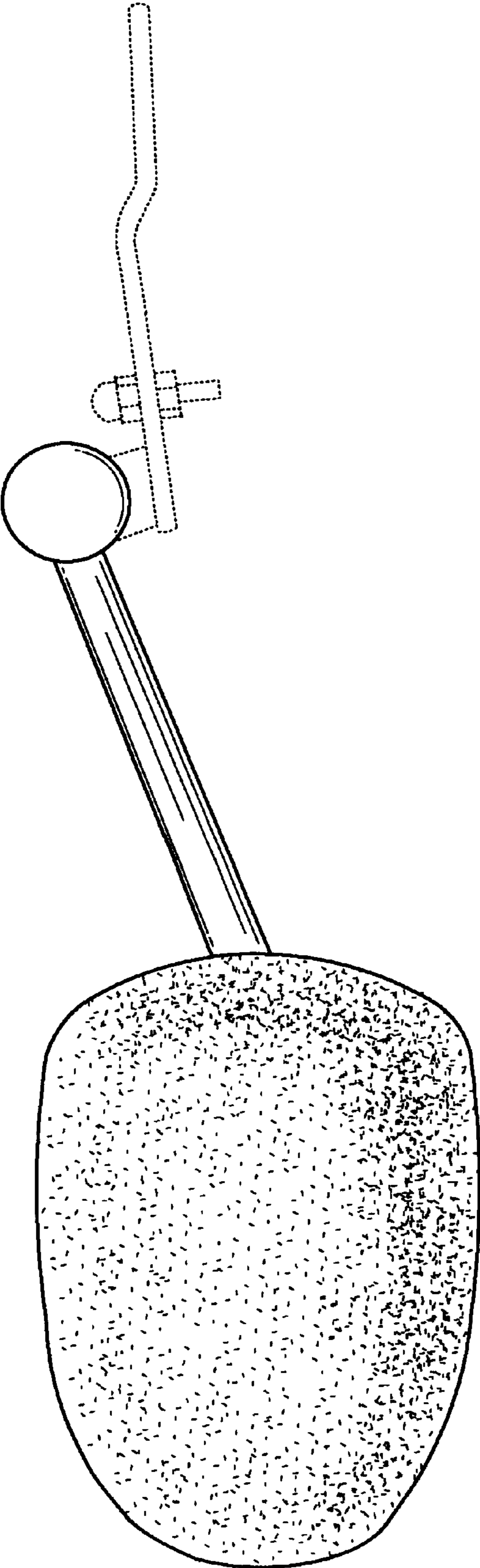


Fig. 2

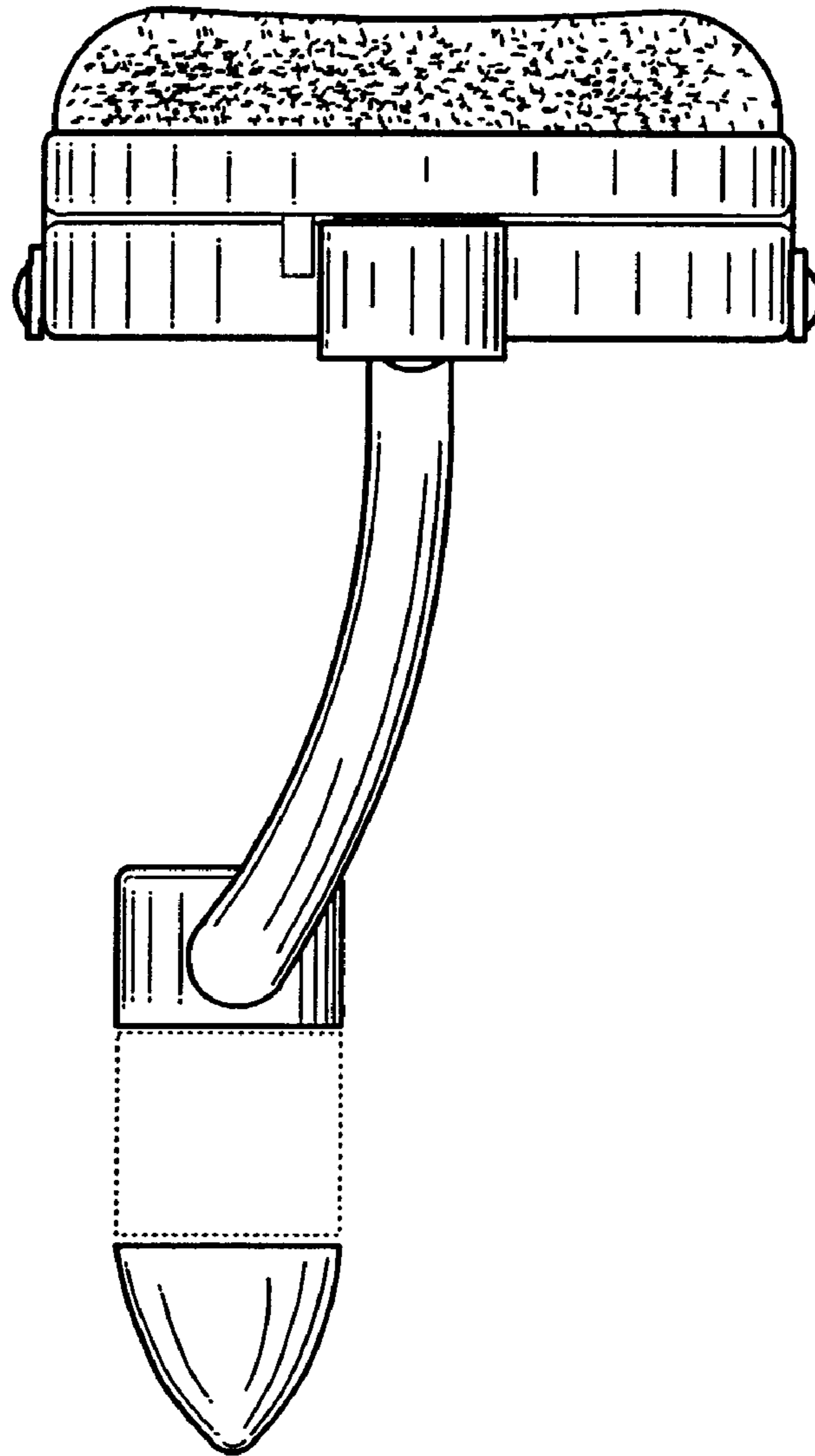


Fig. 3

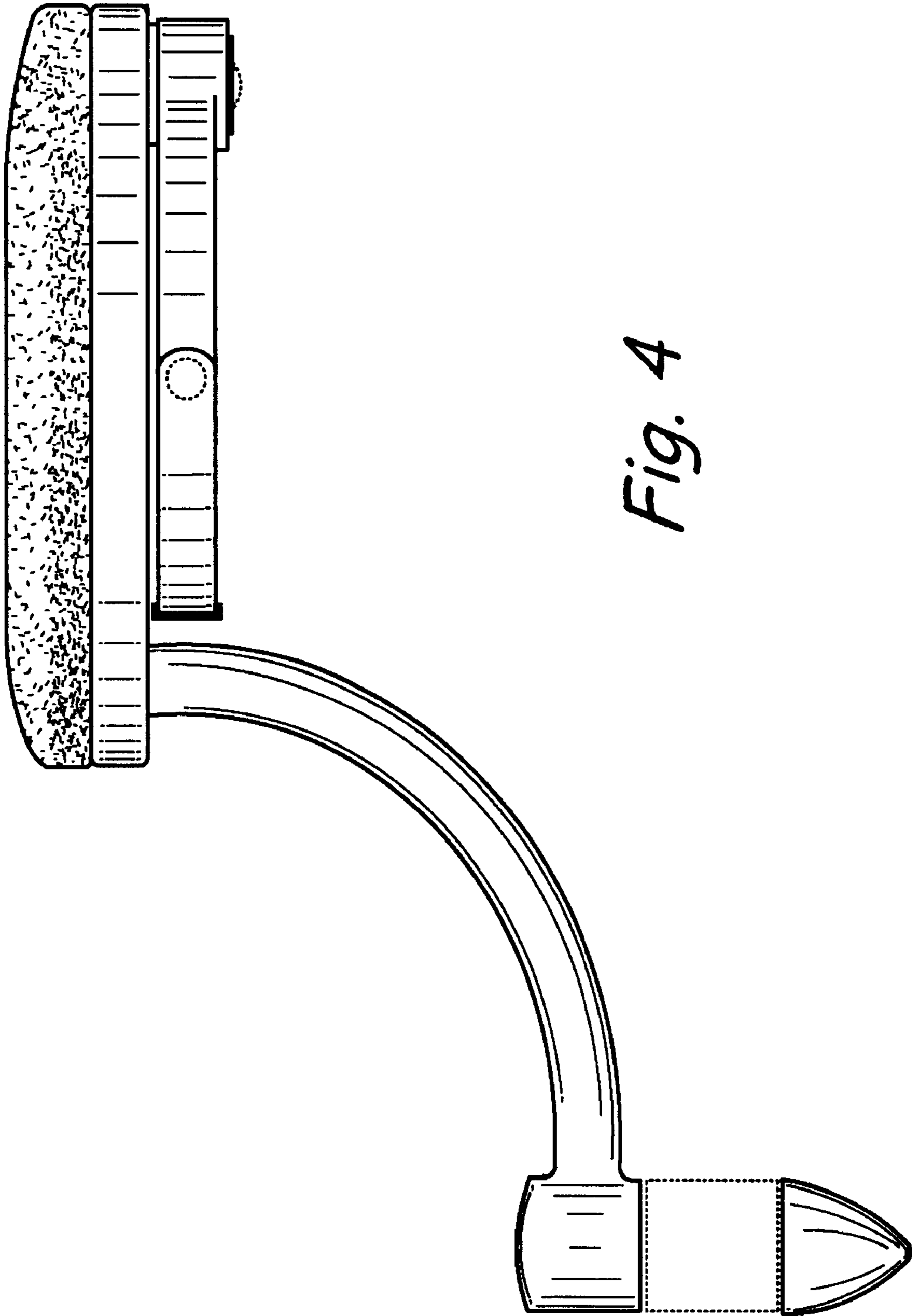


Fig. 4

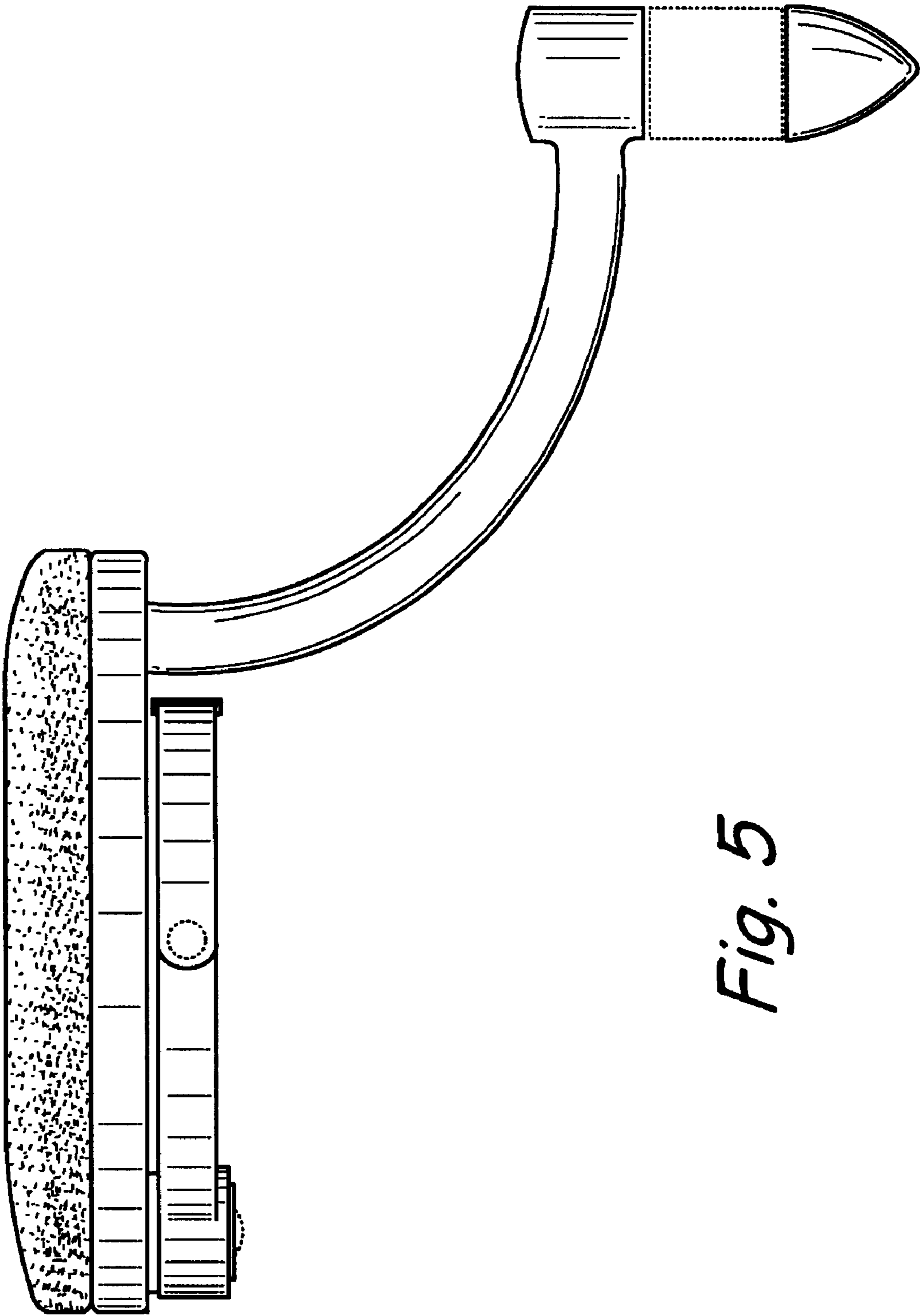


Fig. 5

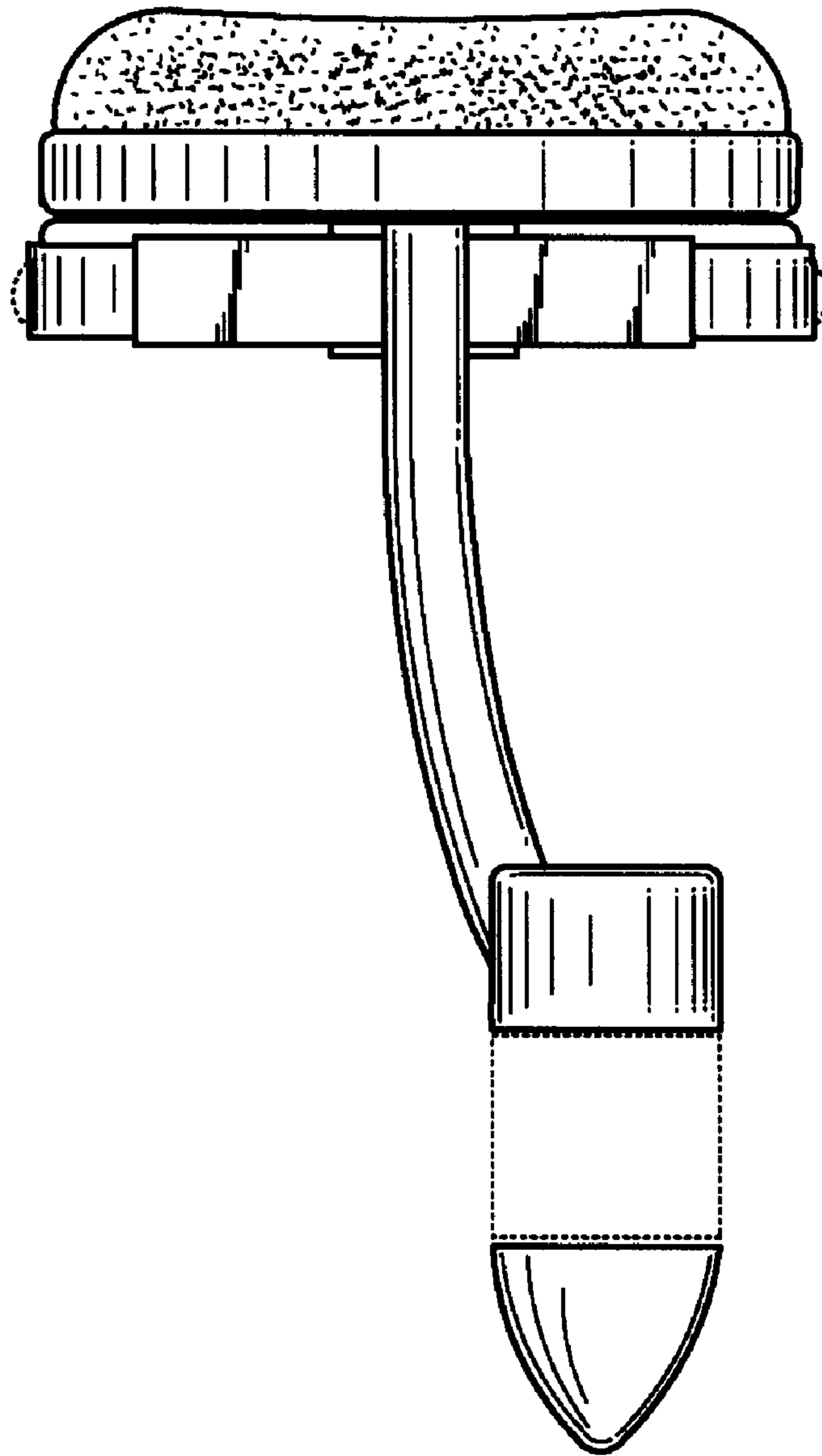


Fig. 6

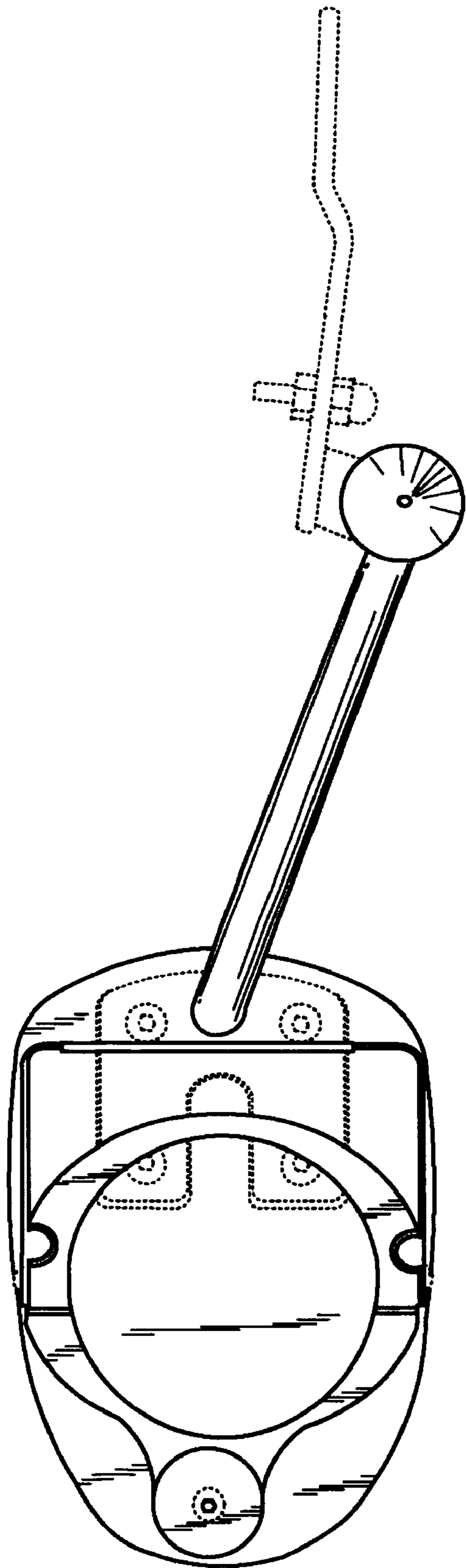


Fig. 7