

US00D526950S

(12) **United States Design Patent**
Bareket

(10) **Patent No.:** **US D526,950 S**

(45) **Date of Patent:** **** Aug. 22, 2006**

(54) **CONSTRUCTION ELEMENT FOR VEHICLES OR THE LIKE**

D363,211 S * 10/1995 Noble D8/395
D423,994 S * 5/2000 Helwig D12/133

(75) Inventor: **Asaf Bareket**, Ramat Gan (IL)

* cited by examiner

(73) Assignee: **ASAF Metal (R.A.M.) LTD**, Ramat Gan (IL)

Primary Examiner—Holly Baynham
(74) *Attorney, Agent, or Firm*—Nath & Associates PLLC; Gary M. Nath; Gregory B. Kang

(**) Term: **14 Years**

(57) **CLAIM**

(21) Appl. No.: **29/187,572**

What is claimed is the ornamental design of a construction element for vehicles or the like illustrated in the annexed drawings.

(22) Filed: **Aug. 5, 2003**

(30) **Foreign Application Priority Data**

DESCRIPTION

Feb. 9, 2003 (IL) 37518

(51) **LOC (8) Cl.** **12-06**

FIG. 1 is an isometric view of a construction profile in accordance with a first embodiment of the present invention; FIG. 2 is a front view of the profile of FIG. 1; FIG. 3 is a rear view thereof; FIG. 4 is a top view thereof; FIG. 5 is a bottom view thereof; FIG. 6 is a right side view; and, FIG. 7 is a left side view.

(52) **U.S. Cl.** **D12/223**

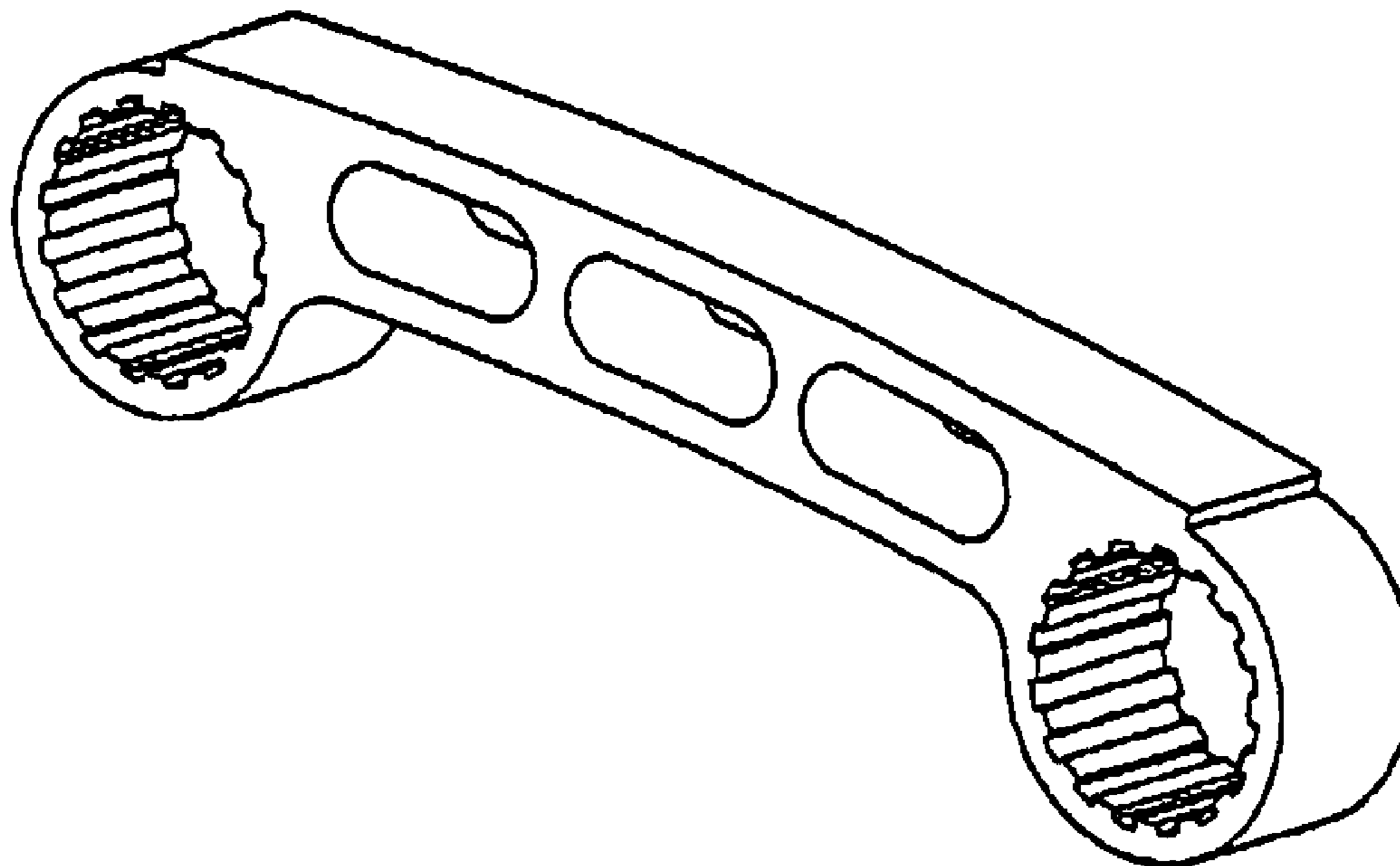
(58) **Field of Classification Search** D8/395, D8/354; D12/223; 24/339, 336
See application file for complete search history.

(56) **References Cited**

U.S. PATENT DOCUMENTS

D363,017 S * 10/1995 Noble D8/395

1 Claim, 2 Drawing Sheets



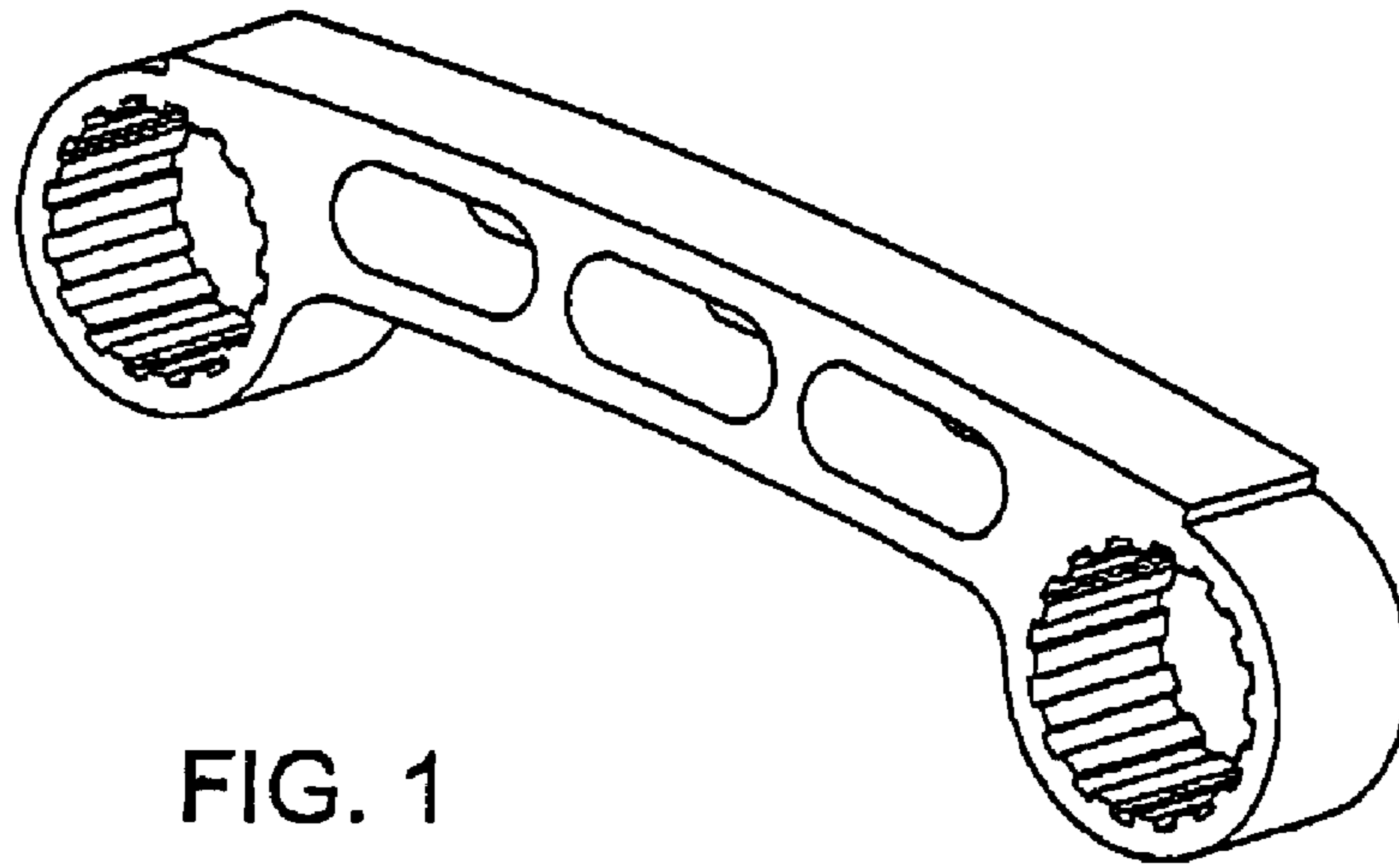


FIG. 1

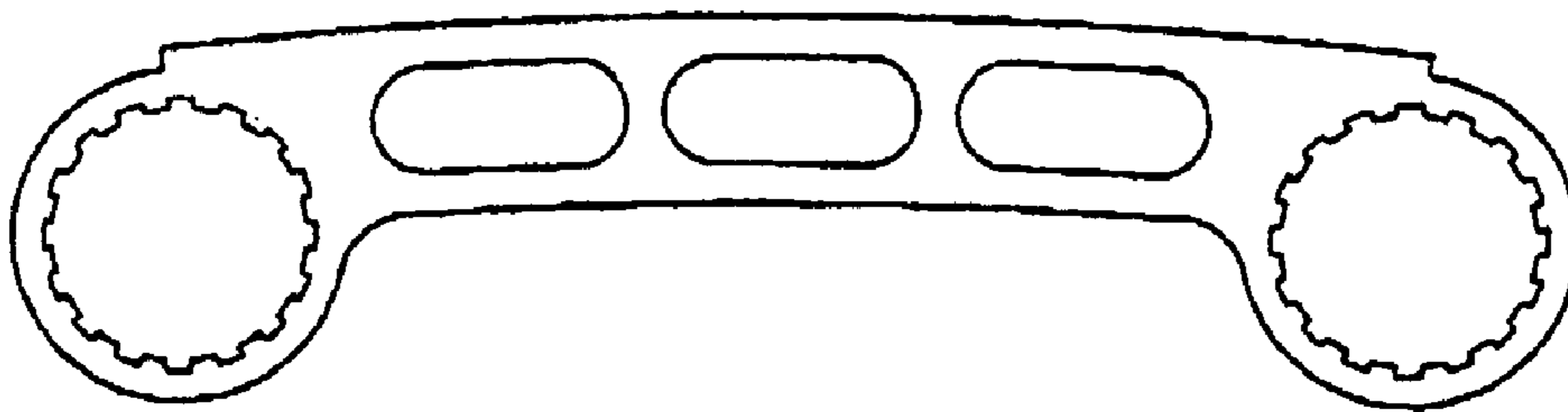


FIG. 2

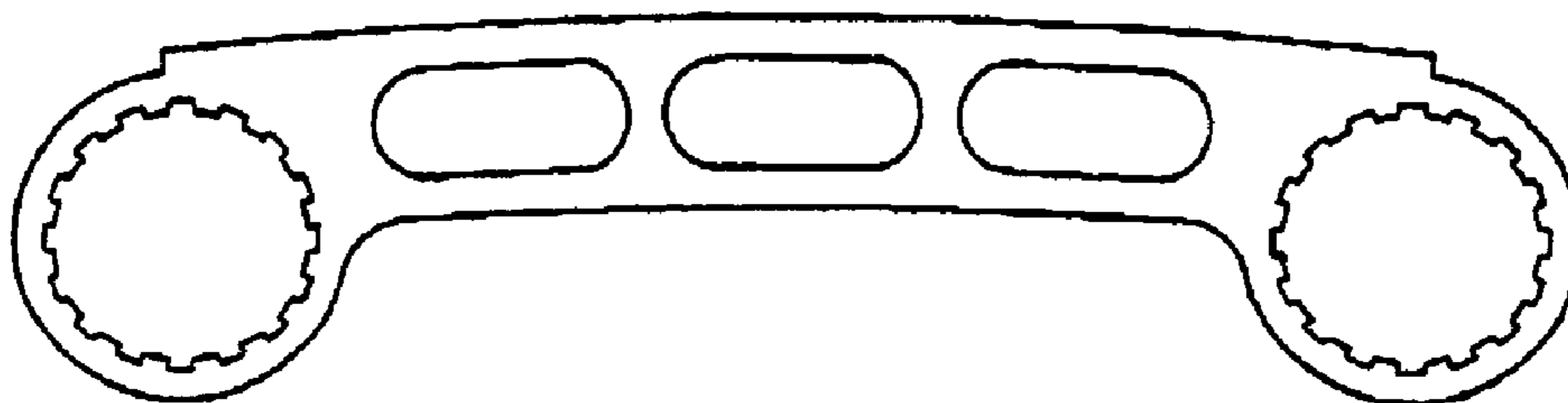


FIG. 3



FIG. 4

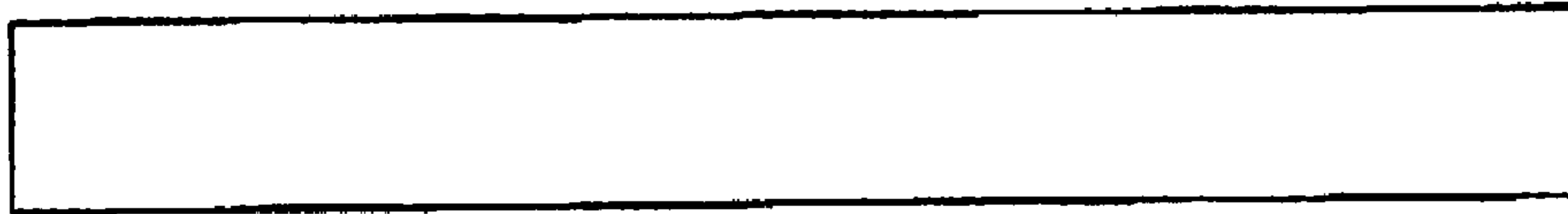


FIG. 5



FIG. 6

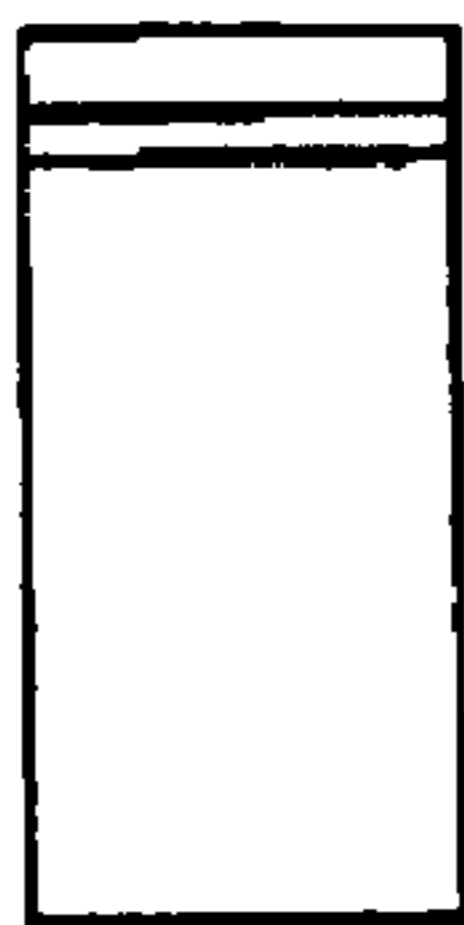


FIG. 7