

US00D526949S

(12) **United States Design Patent**
Viandante

(10) **Patent No.:** **US D526,949 S**

(45) **Date of Patent:** **** Aug. 22, 2006**

(54) **FRONT FACE OF AN AUTOMOTIVE WHEEL**

(75) **Inventor:** **Michele Viandante**, Aachen (DE)

(73) **Assignee:** **Kohl Automobile GmbH**, Aachen (DE)

(**) **Term:** **14 Years**

(21) **Appl. No.:** **29/244,241**

(22) **Filed:** **Dec. 7, 2005**

(30) **Foreign Application Priority Data**

Sep. 5, 2005 (EM) 000394911

(51) **LOC (8) Cl.** **12-16**

(52) **U.S. Cl.** **D12/211**

(58) **Field of Classification Search** D12/204-213;
301/37.101, 64.101, 65

See application file for complete search history.

(56) **References Cited**

U.S. PATENT DOCUMENTS

D249,787 S * 10/1978 Tanaka D12/205
D422,258 S * 4/2000 Hale, Jr. D12/211

D430,843 S * 9/2000 Sands D12/211
D480,676 S * 10/2003 Bhambra D12/211
D481,663 S * 11/2003 Maifrini D12/211
D482,308 S * 11/2003 Lee D12/211
D482,997 S 12/2003 Viandante
D486,116 S * 2/2004 Maifrini D12/211
D486,437 S 2/2004 Hieke
D502,135 S * 2/2005 Weld D12/211
D512,007 S * 11/2005 Sze D12/209

* cited by examiner

Primary Examiner—Stacia Cadmus

(74) *Attorney, Agent, or Firm*—Cohen, Pontani, Lieberman & Pavane

(57) **CLAIM**

The ornamental design for a front face of an automotive wheel, as shown and described.

DESCRIPTION

FIG. 1 is a perspective view of a front face of an automotive wheel showing my new design; and, FIG. 2 is a front elevation view thereof.

1 Claim, 2 Drawing Sheets

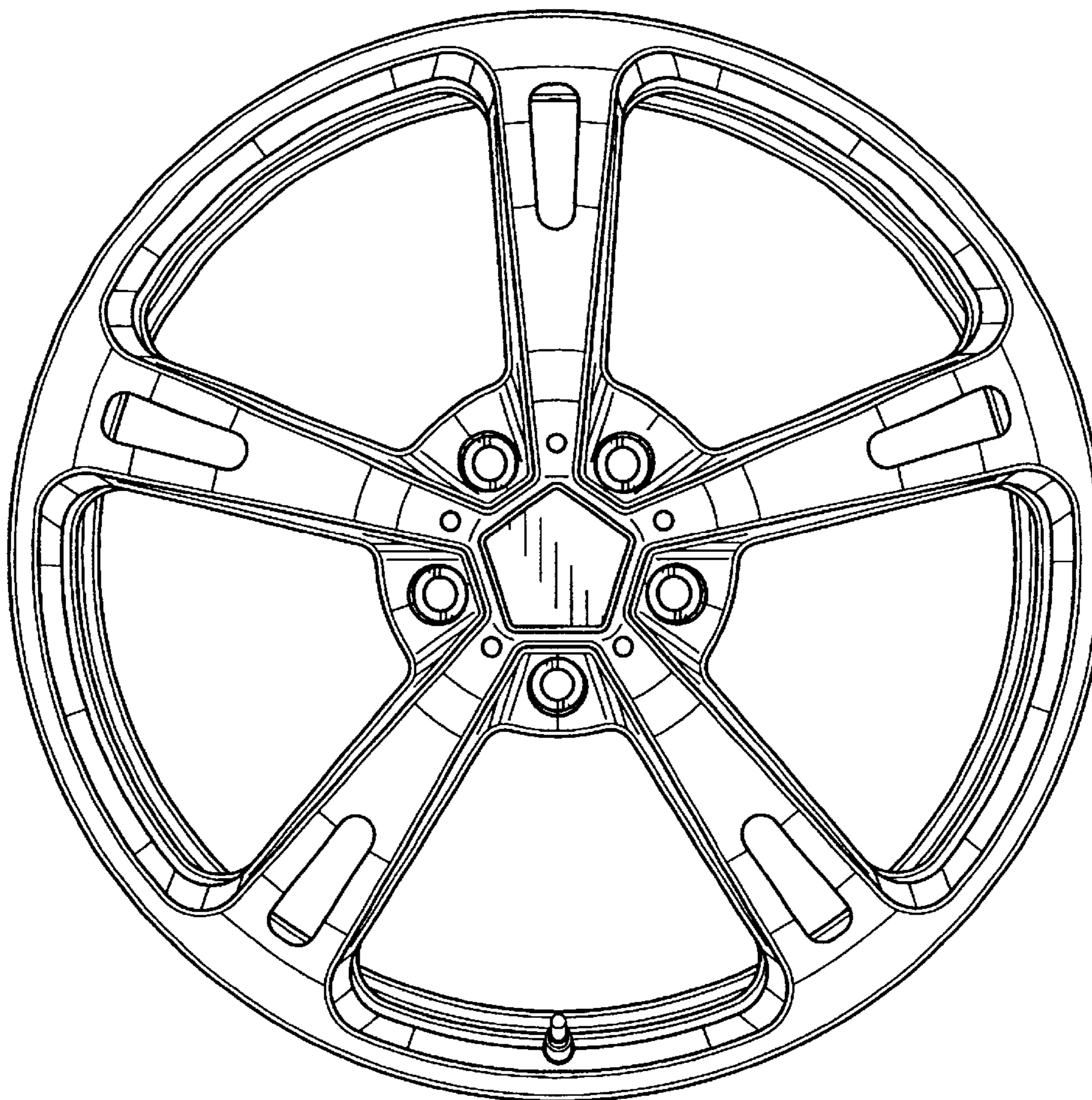


FIG. 1

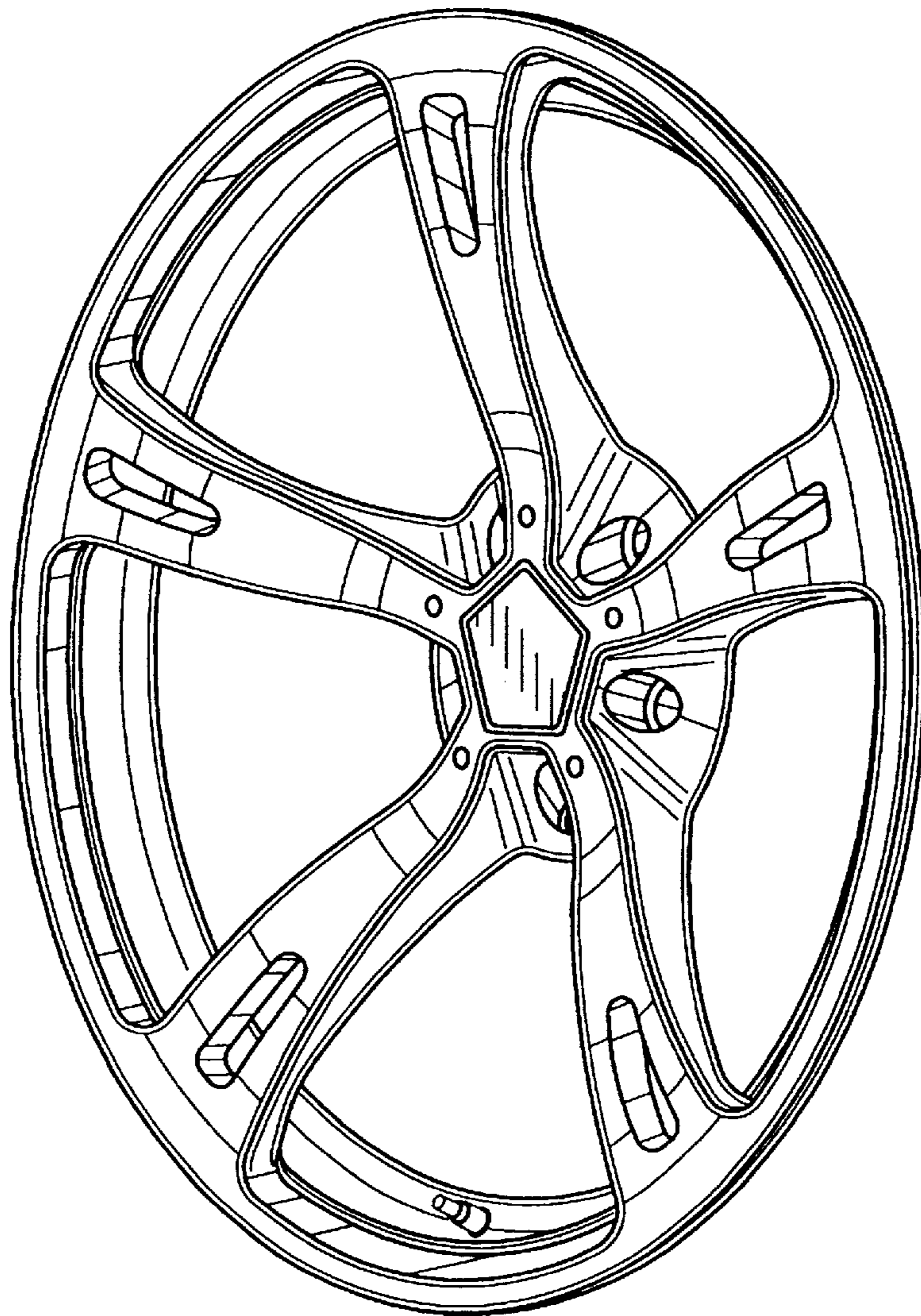


FIG.2

