

US00D526948S

(12) **United States Design Patent**  
**Truebsbach**

(10) **Patent No.:** **US D526,948 S**

(45) **Date of Patent:** **\*\* Aug. 22, 2006**

(54) **FRONT FACE OF A VEHICLE WHEEL**

(75) **Inventor:** **Sebastian Truebsbach**, Prien am Chiemsee (DE)

(73) **Assignee:** **Bayerische Motoren Werke Aktiengesellschaft**, Munich (DE)

(\*\*) **Term:** **14 Years**

(21) **Appl. No.:** **29/242,306**

(22) **Filed:** **Nov. 9, 2005**

(30) **Foreign Application Priority Data**

May 11, 2005 (DE) ..... 40502549

(51) **LOC (8) Cl.** ..... **12-16**

(52) **U.S. Cl.** ..... **D12/211**

(58) **Field of Classification Search** ..... D12/204-213;  
301/37.101, 64.101, 65

See application file for complete search history.

(56) **References Cited**

**U.S. PATENT DOCUMENTS**

- D402,951 S \* 12/1998 Wechner ..... D12/211
- D416,849 S \* 11/1999 Weidhase ..... D12/211
- D421,953 S \* 3/2000 Sims et al. .... D12/211

- D432,071 S \* 10/2000 Brown ..... D12/211
- D447,107 S \* 8/2001 Kuribayashi ..... D12/211
- D451,067 S \* 11/2001 Frizzi ..... D12/211
- D453,494 S \* 2/2002 Brown et al. .... D12/211
- D470,094 S 2/2003 van Hooydonk
- D471,504 S \* 3/2003 Laengerer ..... D12/211
- D479,178 S \* 9/2003 Lai ..... D12/211
- D499,686 S \* 12/2004 Song ..... D12/211
- D500,005 S \* 12/2004 van Hooydonk ..... D12/211
- D500,726 S \* 1/2005 Hettler ..... D12/211
- D515,493 S \* 2/2006 Schaefers ..... D12/211

\* cited by examiner

*Primary Examiner*—Stacia Cadmus

(74) *Attorney, Agent, or Firm*—Crowell & Moring LLP

(57) **CLAIM**

The ornamental design for a front face of a vehicle wheel, as shown and described.

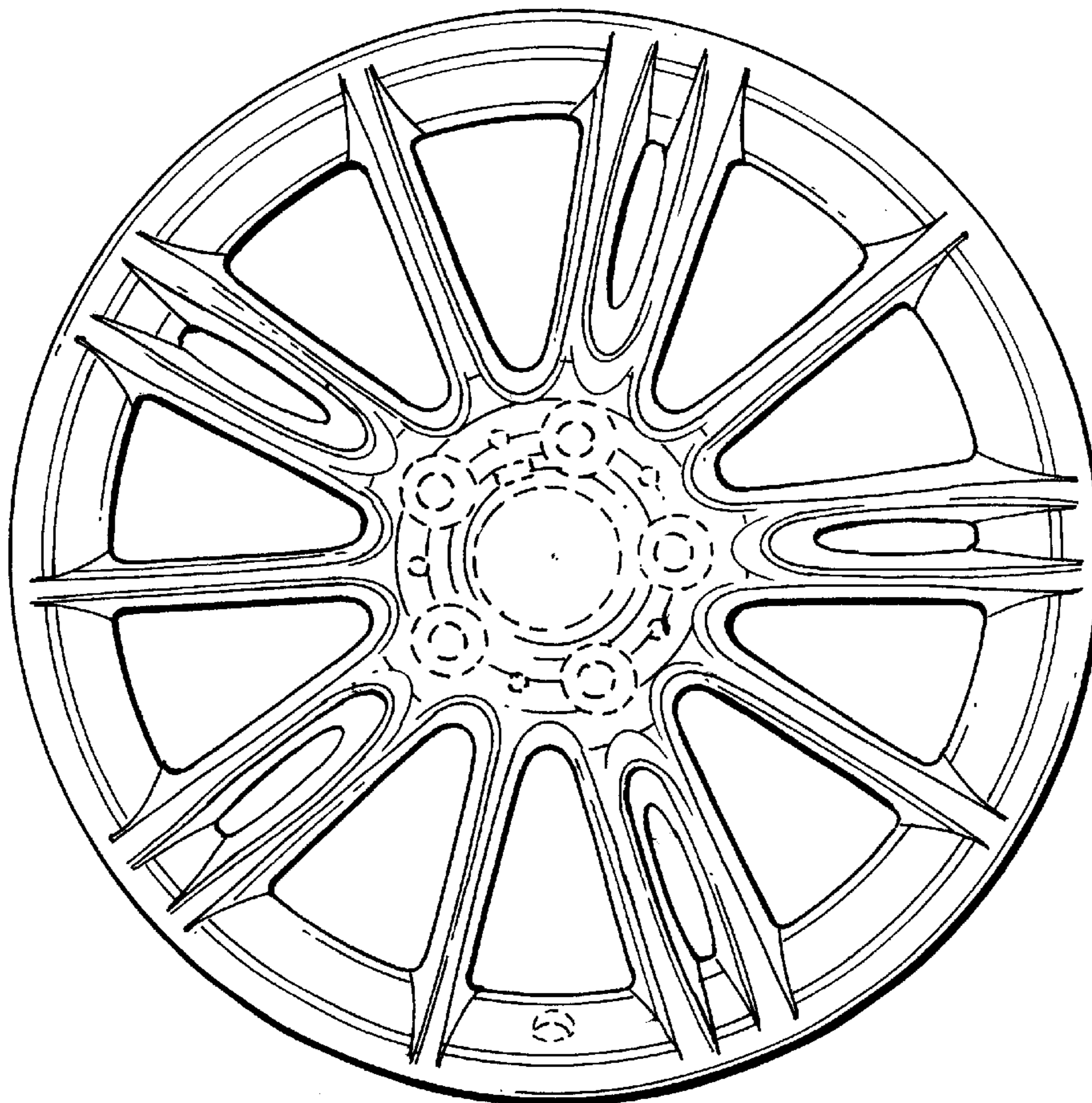
**DESCRIPTION**

FIG. 1 is a perspective view of a front face of a vehicle wheel according to my novel design; and,

FIG. 2 is a front view thereof.

The broken lines are for illustrative purposes only and form no part of the claimed design.

**1 Claim, 1 Drawing Sheet**



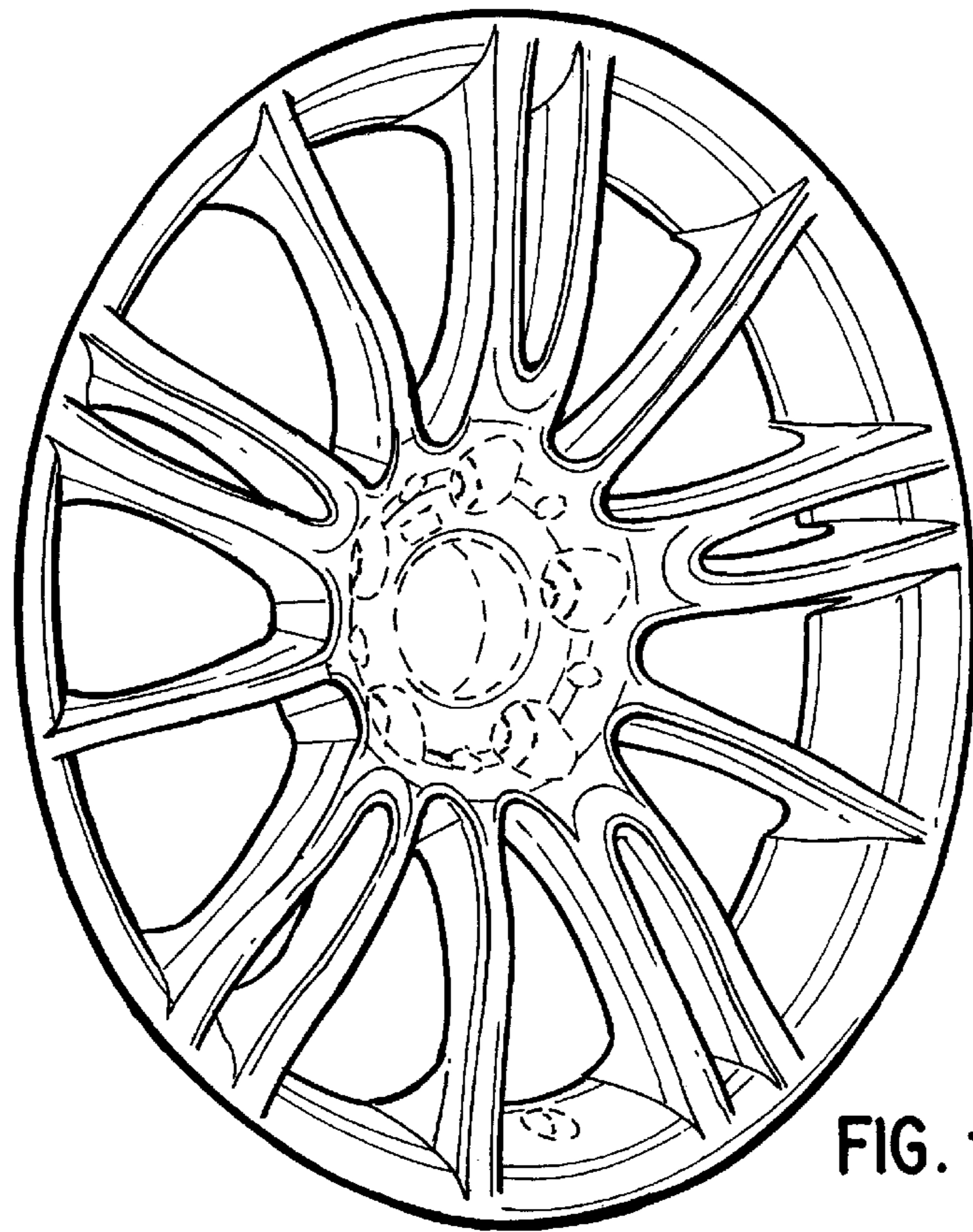


FIG. 1

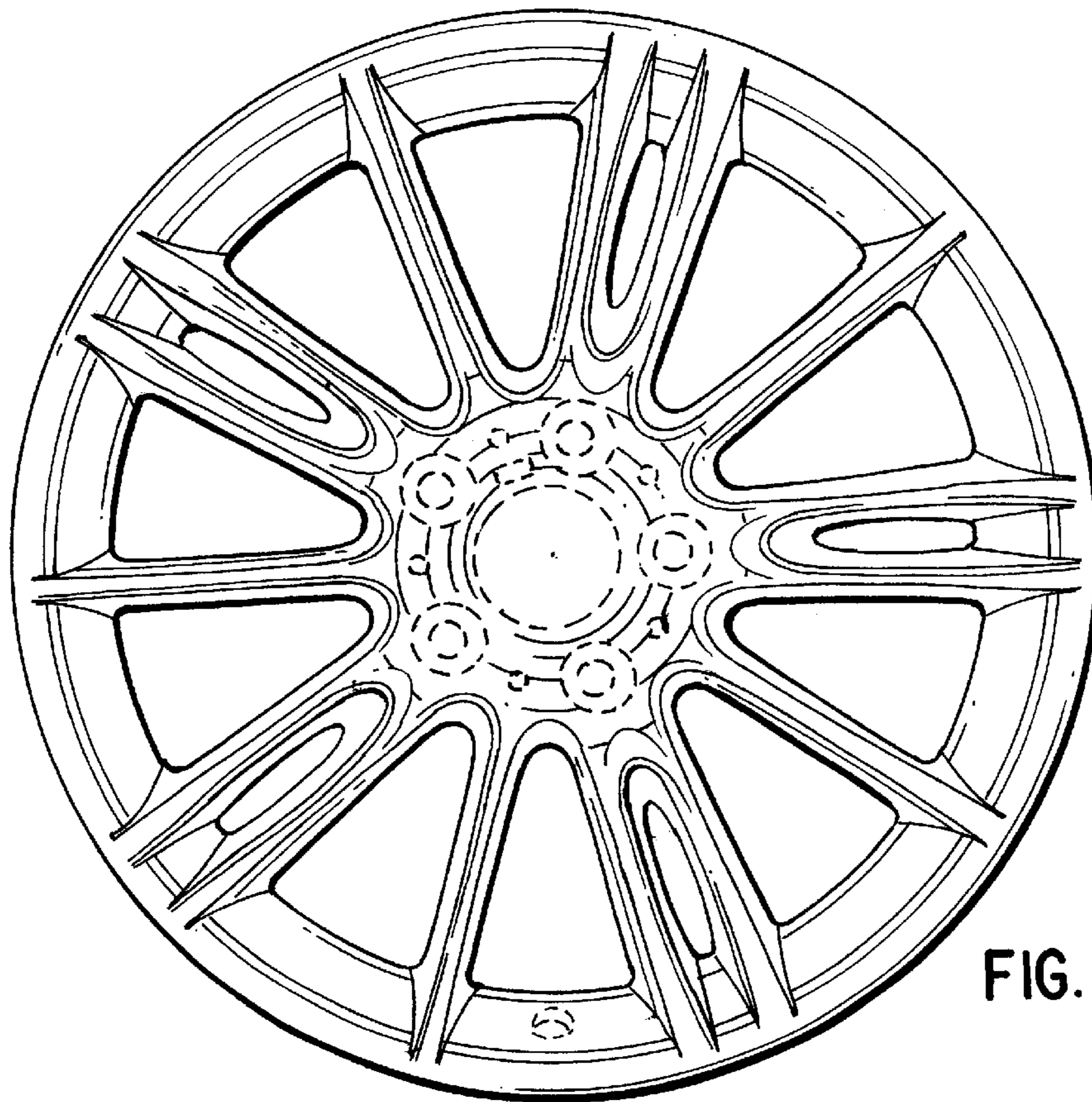


FIG. 2