



US00D526947S

(12) **United States Design Patent**  
**Kim**

(10) **Patent No.:** **US D526,947 S**

(45) **Date of Patent:** **\*\* Aug. 22, 2006**

(54) **AUTOMOTIVE WHEEL**

(75) Inventor: **Young H. Kim**, La Habra, CA (US)

(73) Assignee: **The Wheel Group**, Industry, CA (US)

(\*\*) Term: **14 Years**

(21) Appl. No.: **29/253,444**

(22) Filed: **Feb. 7, 2006**

(51) **LOC (8) Cl.** ..... **12-16**

(52) **U.S. Cl.** ..... **D12/209**

(58) **Field of Classification Search** ..... D12/204-213;  
301/37.101, 64.101, 65

See application file for complete search history.

(56) **References Cited**

**U.S. PATENT DOCUMENTS**

D421,953 S	*	3/2000	Sims et al.	.....	D12/211
D432,071 S	*	10/2000	Brown	.....	D12/211
D447,107 S	*	8/2001	Kuribayashi	.....	D12/211
D449,266 S	*	10/2001	Afzal	.....	D12/209

D471,504 S	*	3/2003	Laengerer	.....	D12/211
D479,178 S	*	9/2003	Lai	.....	D12/211
D499,686 S	*	12/2004	Song	.....	D12/211
D500,005 S	*	12/2004	van Hooydonk	.....	D12/211
D509,467 S	*	9/2005	Gabath	.....	D12/211
D516,489 S	*	3/2006	Alonso	.....	D12/211
D516,991 S	*	3/2006	Guevara	.....	D12/211

\* cited by examiner

*Primary Examiner*—Stacia Cadmus

(57) **CLAIM**

The ornamental design for an automotive wheel, as shown and described.

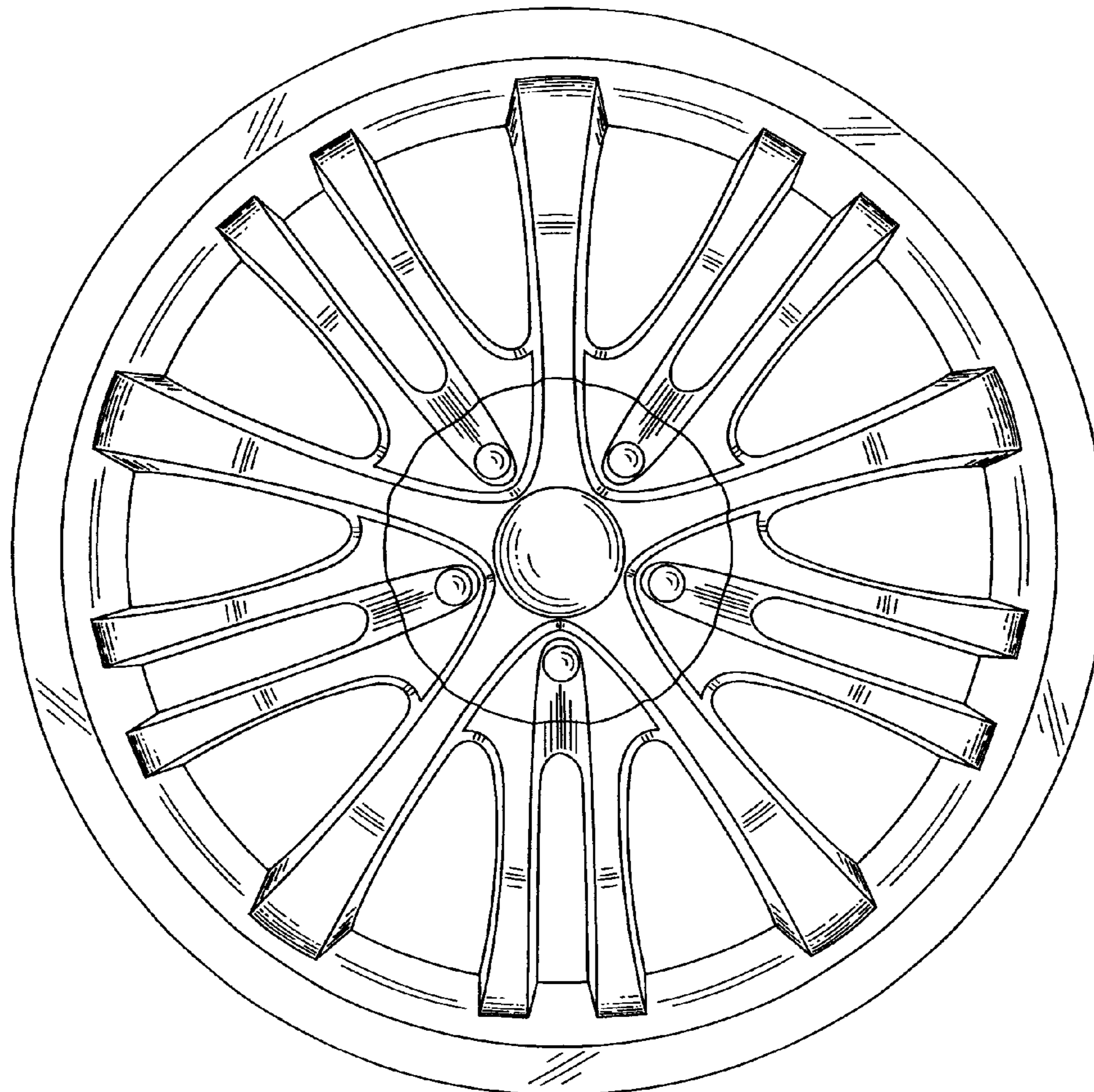
**DESCRIPTION**

FIG. 1 is a perspective view of an automotive wheel showing my new design; and,

FIG. 2 is a front elevational view thereof.

The broken lines are for illustrative purposes only, and form no part of the claimed design herein.

**1 Claim, 2 Drawing Sheets**



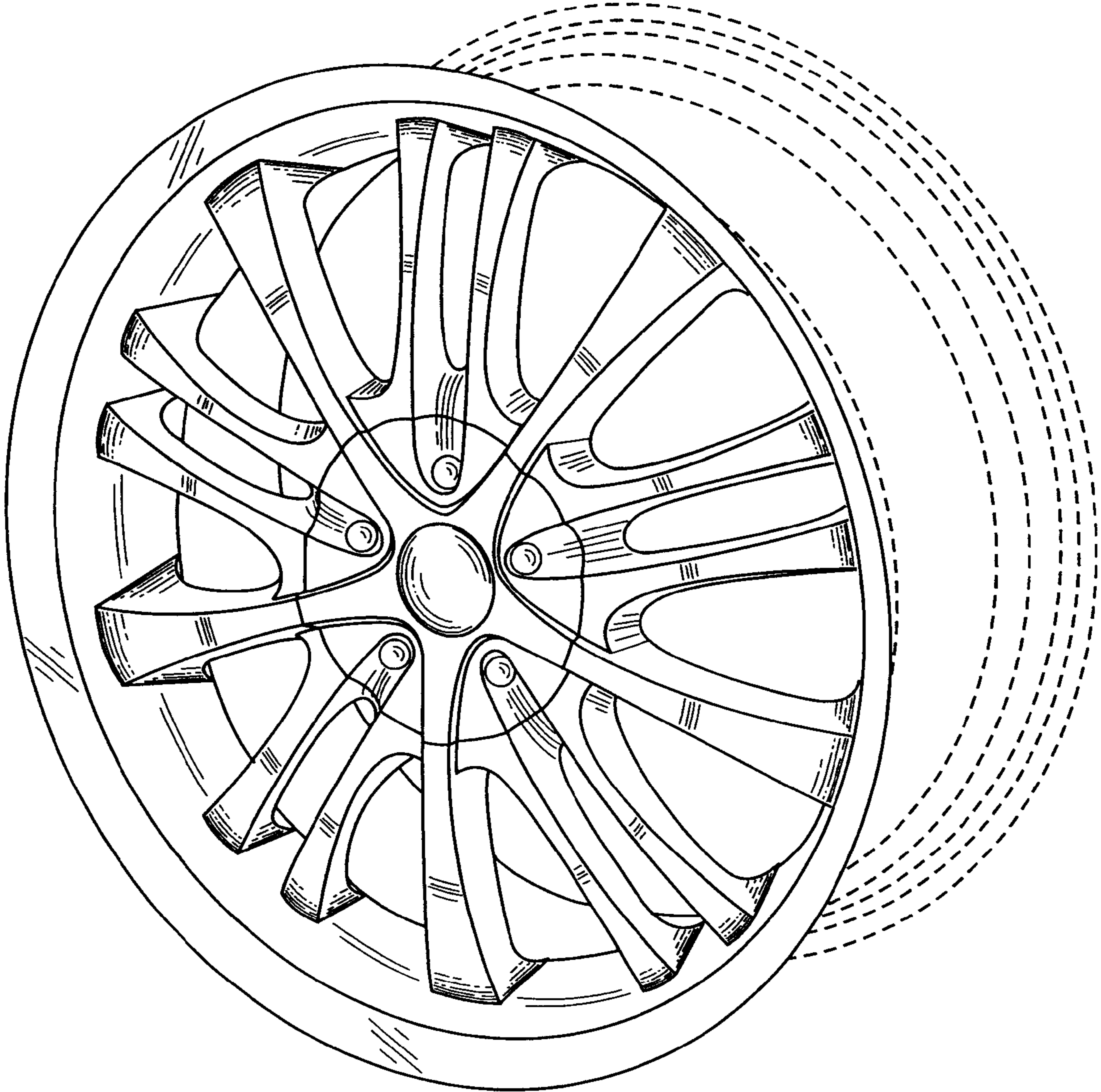


FIG. 1

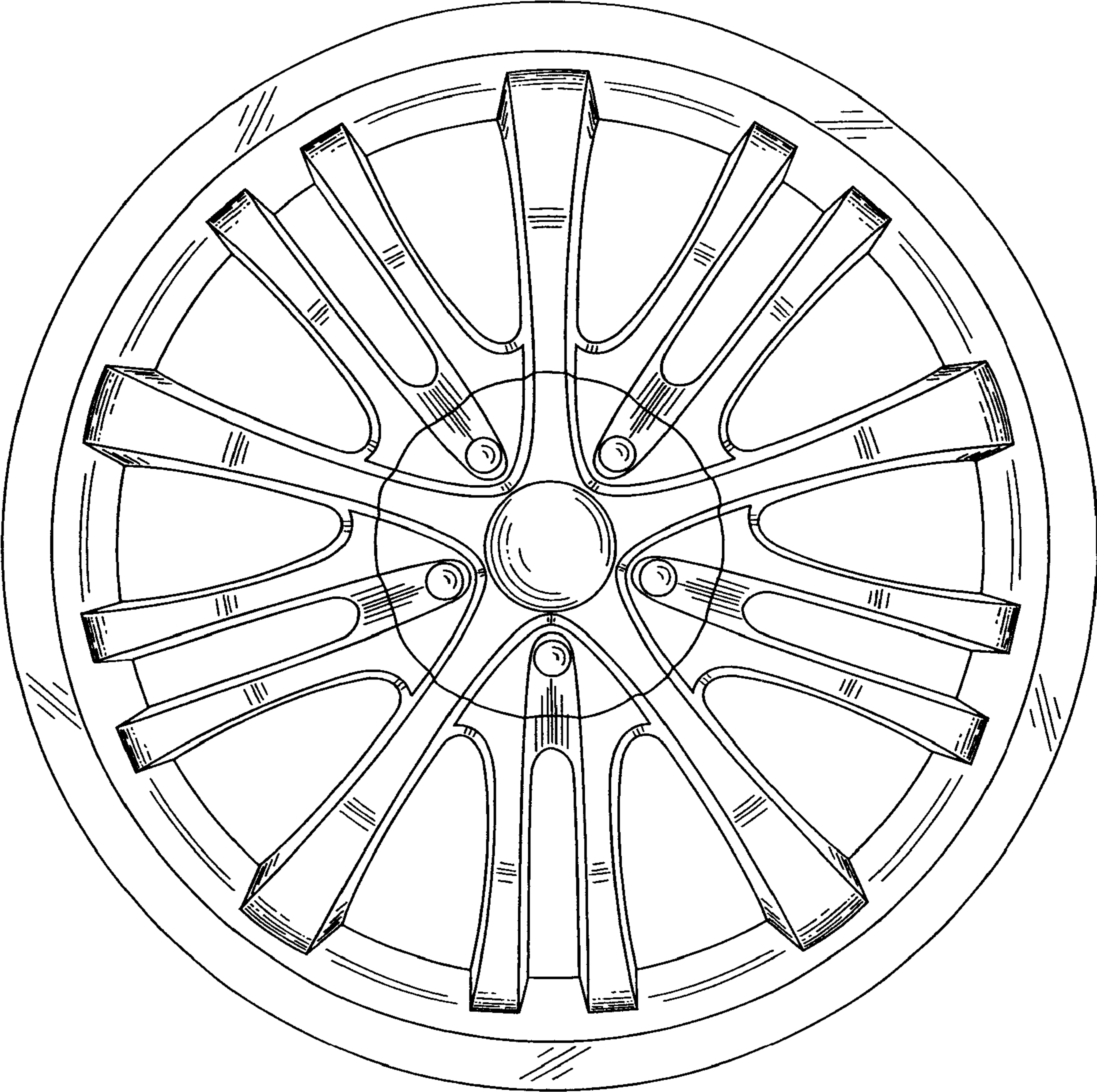


FIG. 2