



US00D526945S

(12) **United States Design Patent** (10) **Patent No.:** **US D526,945 S**  
**Lai** (45) **Date of Patent:** **\*\* Aug. 22, 2006**

(54) **SURFACE CONFIGURATION OF A REAR PORTION OF A VEHICLE, TOY, AND/OR OTHER REPLICAS**

(75) Inventor: **Pinky Lai**, Koenigsbach-Stein (DE)

(73) Assignee: **Dr. Ing. h.c.F. Porsche Aktiengesellschaft**, Stuttgart (DE)

(\*\*) Term: **14 Years**

(21) Appl. No.: **29/237,728**

(22) Filed: **Sep. 7, 2005**

(30) **Foreign Application Priority Data**

Mar. 8, 2005 (DE) ..... 4 05 01 298  
Mar. 8, 2005 (DE) ..... 4 05 01 300  
Mar. 8, 2005 (DE) ..... 4 05 01 304  
Mar. 8, 2005 (DE) ..... 4 05 01 299

(51) **LOC (8) Cl.** ..... **12-16**

(52) **U.S. Cl.** ..... **D12/196; D12/164**

(58) **Field of Classification Search** ..... D12/90-92,  
D12/196, 169, 86, 164; 296/181.1 S, 181.5  
See application file for complete search history.

(56) **References Cited**

**U.S. PATENT DOCUMENTS**

D401,890 S \* 12/1998 Larson et al. .... D12/91  
D435,815 S \* 1/2001 Larson ..... D12/169  
D437,812 S \* 2/2001 Lai ..... D12/169  
D449,254 S \* 10/2001 Larson ..... D12/92  
D469,393 S \* 1/2003 Schlachter ..... D12/196  
D507,207 S \* 7/2005 Larson ..... D12/92  
D507,510 S \* 7/2005 Larson ..... D12/92

D515,461 S \* 2/2006 Lai ..... D12/92

\* cited by examiner

*Primary Examiner*—Melody N. Brown

(74) *Attorney, Agent, or Firm*—Crowell & Moring LLP

(57) **CLAIM**

The ornamental design for a surface configuration of a rear portion of a vehicle, toy, and/or other replicas, as shown and described.

**DESCRIPTION**

This application is related to the following co-pending applications, of the inventor, filed on even date herewith: application Ser. No. 29/237,713, entitled “Surface Configuration of a Vehicle, Toy, and/or Other Replicas”; and application Ser. No. 29/237,754, entitled “Surface Configuration of a Retractable Rear Spoiler for a Vehicle”.

FIG. 1 is a front view of a first embodiment of a surface configuration of a rear portion of a vehicle, toy, and/or other replicas according to my novel design;

FIG. 2 is left perspective view thereof, the right perspective view being mirror symmetrical; and

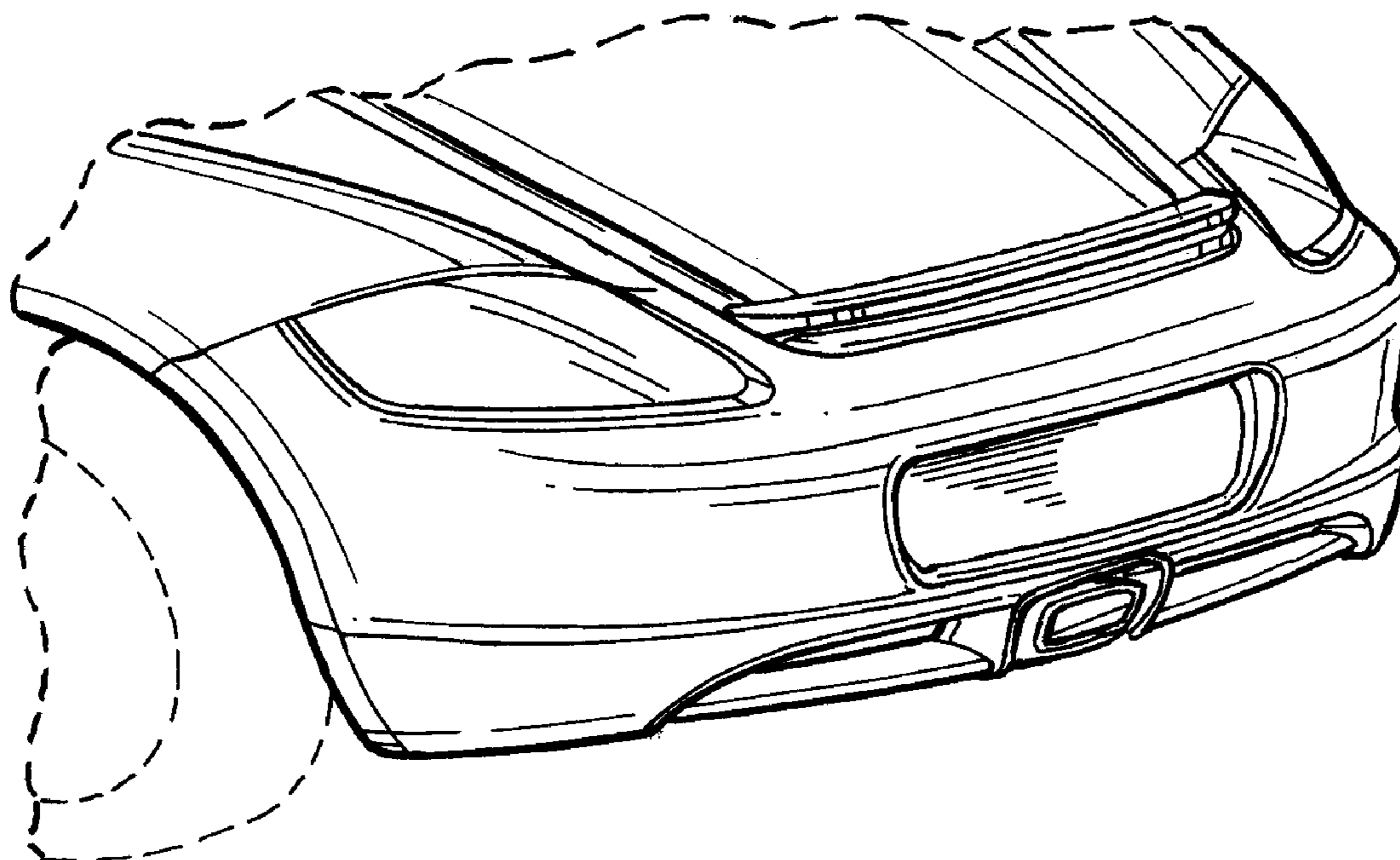
FIG. 3 is a left side view thereof, the right side view being mirror symmetrical.

FIG. 4 is a front view of a second embodiment of the surface configuration of a rear portion of a vehicle, toy, and/or other replicas according to my novel design; and,

FIG. 5 is a left perspective view thereof, the right perspective view being mirror symmetrical.

The broken lines are for illustrative purposes only and form no part of the claimed design.

**1 Claim, 3 Drawing Sheets**



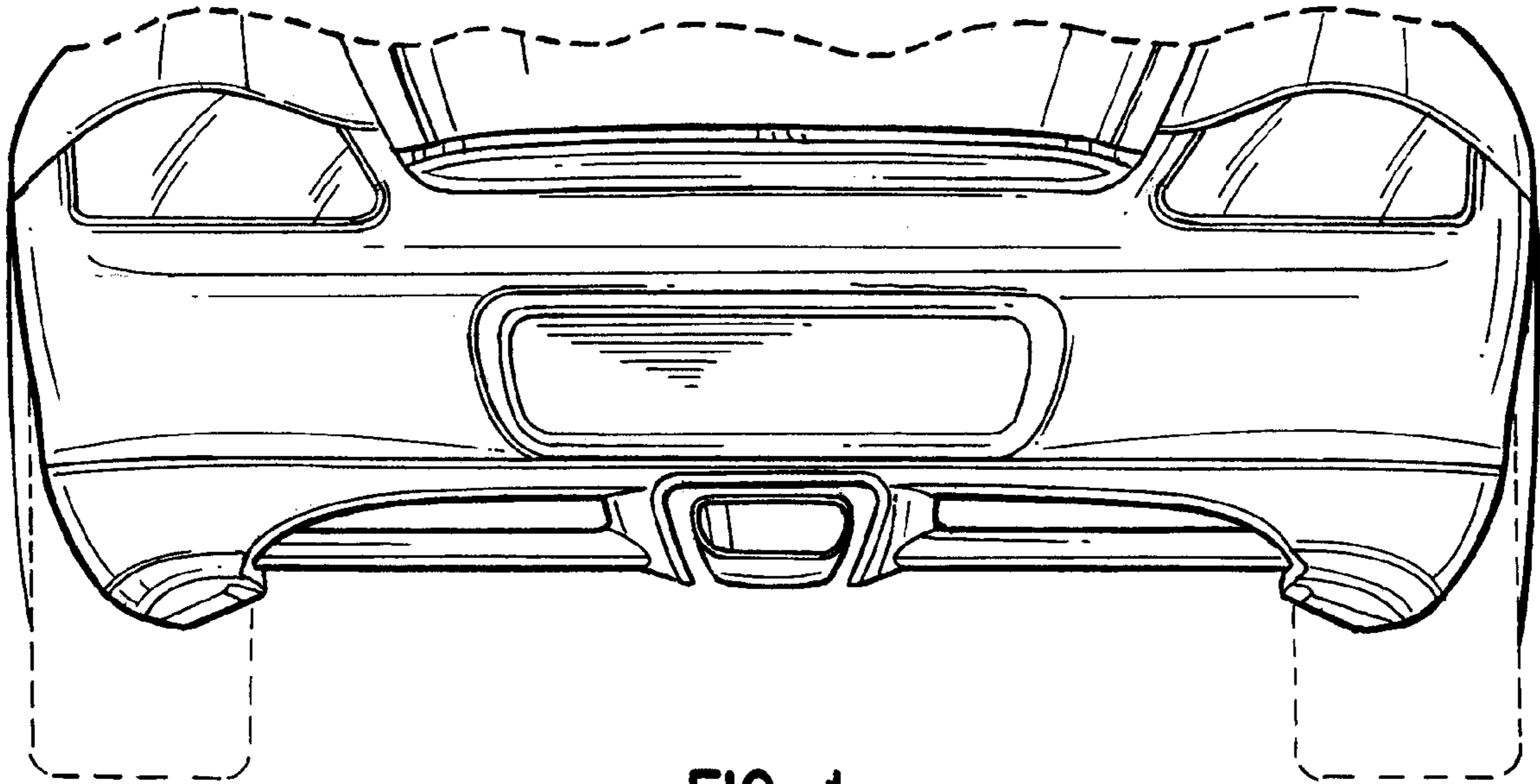


FIG. 1

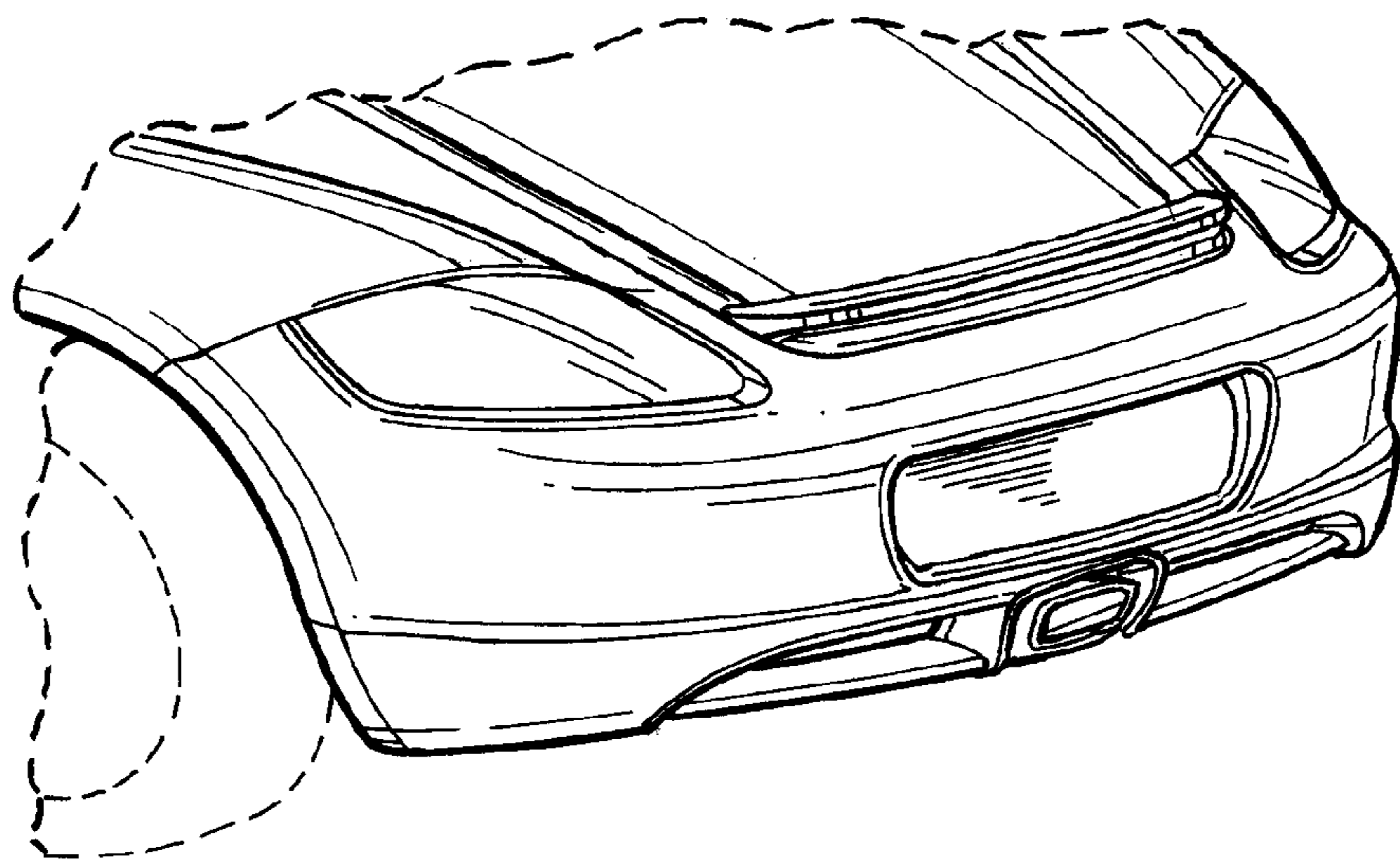


FIG. 2

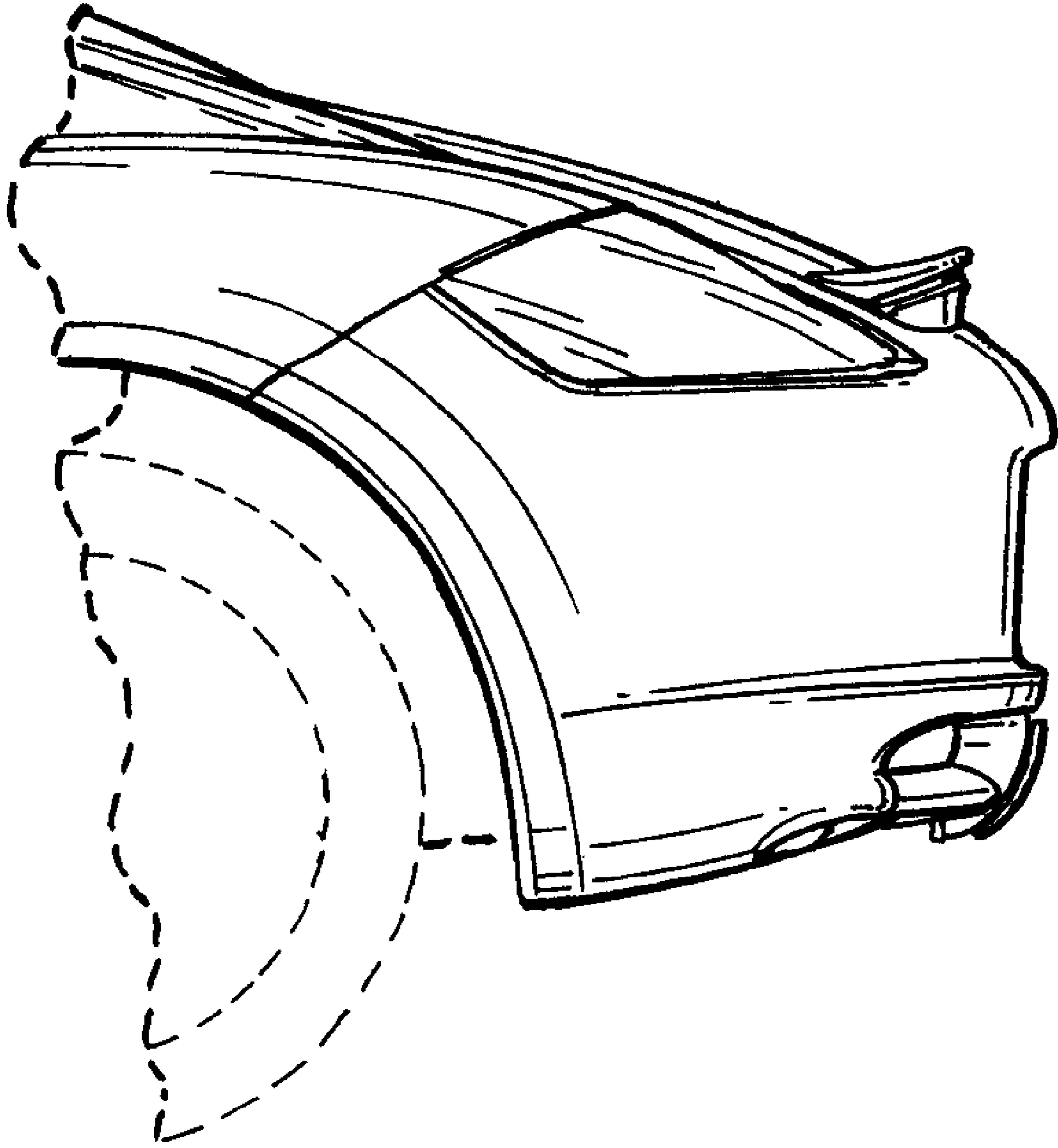


FIG. 3

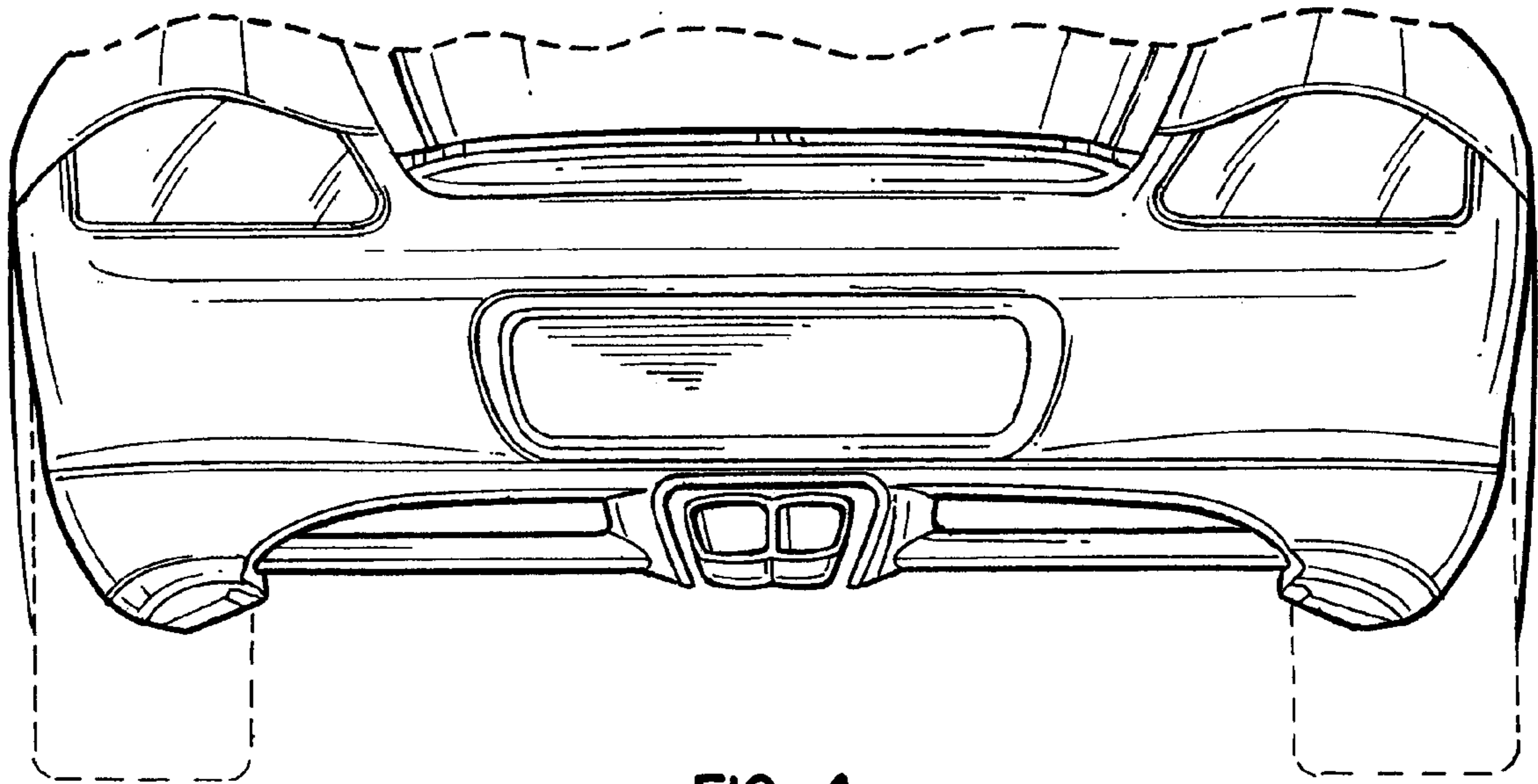


FIG. 4

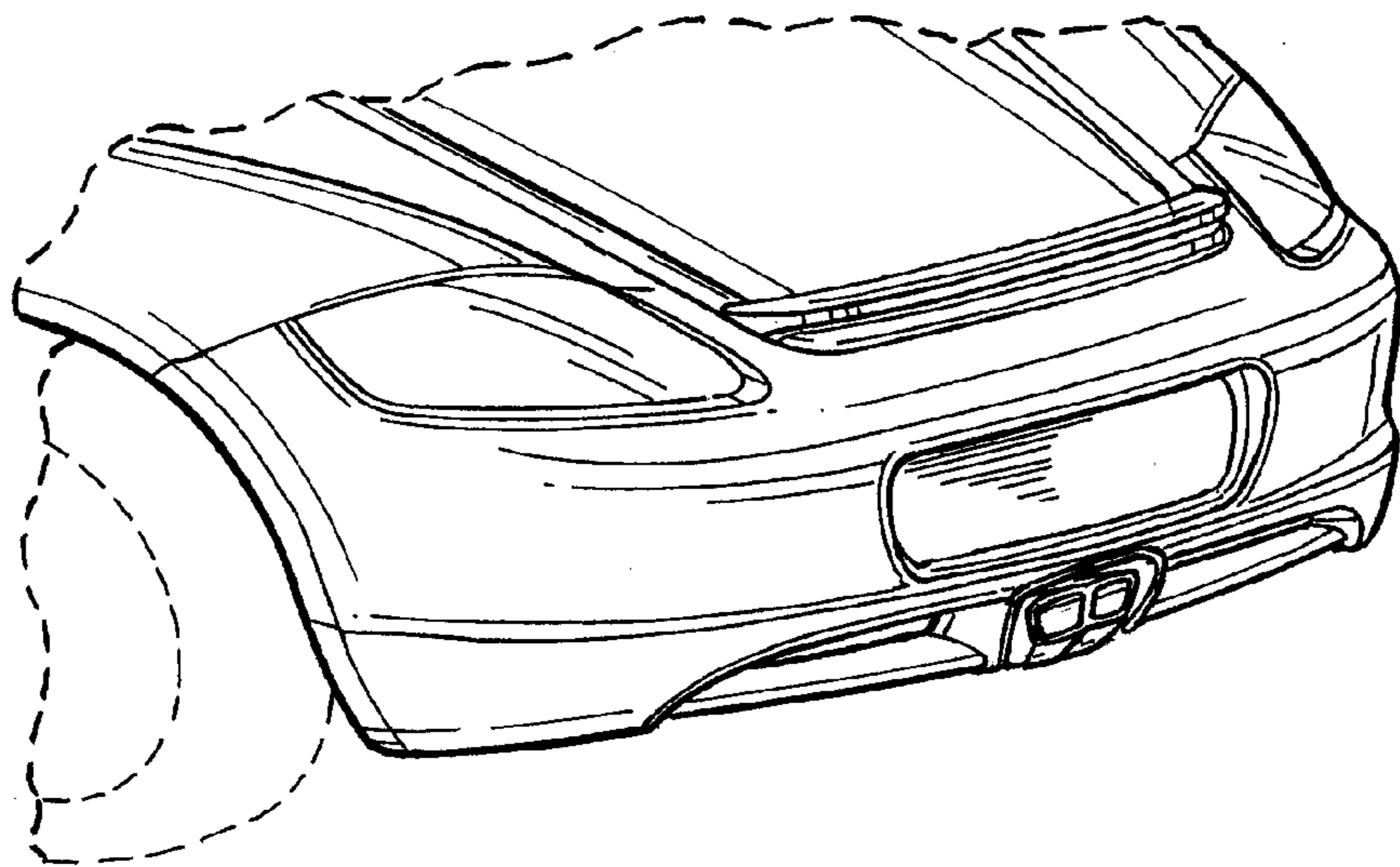


FIG. 5