



US00D526940S

(12) **United States Design Patent**  
**DePetrillo**

(10) **Patent No.:** **US D526,940 S**

(45) **Date of Patent:** **\*\* Aug. 22, 2006**

(54) **TRAILER HITCH ALIGNMENT DEVICE**

(76) **Inventor:** **Russell DePetrillo**, 1744 Tarkin Rd.,  
Harrisville, RI (US) 02830

(\*\*) **Term:** **14 Years**

(21) **Appl. No.:** **29/205,682**

(22) **Filed:** **May 19, 2004**

(51) **LOC (8) Cl.** ..... **12-16**

(52) **U.S. Cl.** ..... **D12/162**

(58) **Field of Classification Search** ..... D12/106,  
D12/161, 162, 199, 400; D9/441, 451, 618;  
D29/102-104, 106; 280/186, 402-404, 405,  
280/405.1, 405.2, 407, 407.1, 416.2, 455.1,  
280/491.5, 433, 434, 438 R

See application file for complete search history.

(56) **References Cited**

**U.S. PATENT DOCUMENTS**

3,848,894	A	*	11/1974	Breford	.....	280/437
3,901,536	A		8/1975	Black		
4,227,713	A	*	10/1980	Blodgett et al.	.....	280/434
4,658,737	A	*	4/1987	Weissberg	.....	111/101
4,905,376	A		3/1990	Neeley		
5,435,097	A	*	7/1995	Harper	.....	47/43
5,518,263	A		5/1996	Owens		
5,657,175	A		8/1997	Brewington		
5,791,676	A	*	8/1998	Jones	.....	280/477
6,089,590	A		7/2000	Bowers		
6,585,281	B1		7/2003	Voorting		

6,964,126	B1	*	11/2005	Anderson	.....	47/42
2003/0051654	A1		3/2003	Jarosek et al.		
2003/0075899	A1		4/2003	Maxwell et al.		
2003/0214114	A1	*	11/2003	Plett	.....	280/439

\* cited by examiner

*Primary Examiner*—Doris Clark

*Assistant Examiner*—Michael Pratt

(74) *Attorney, Agent, or Firm*—Salter & Michaelson

(57) **CLAIM**

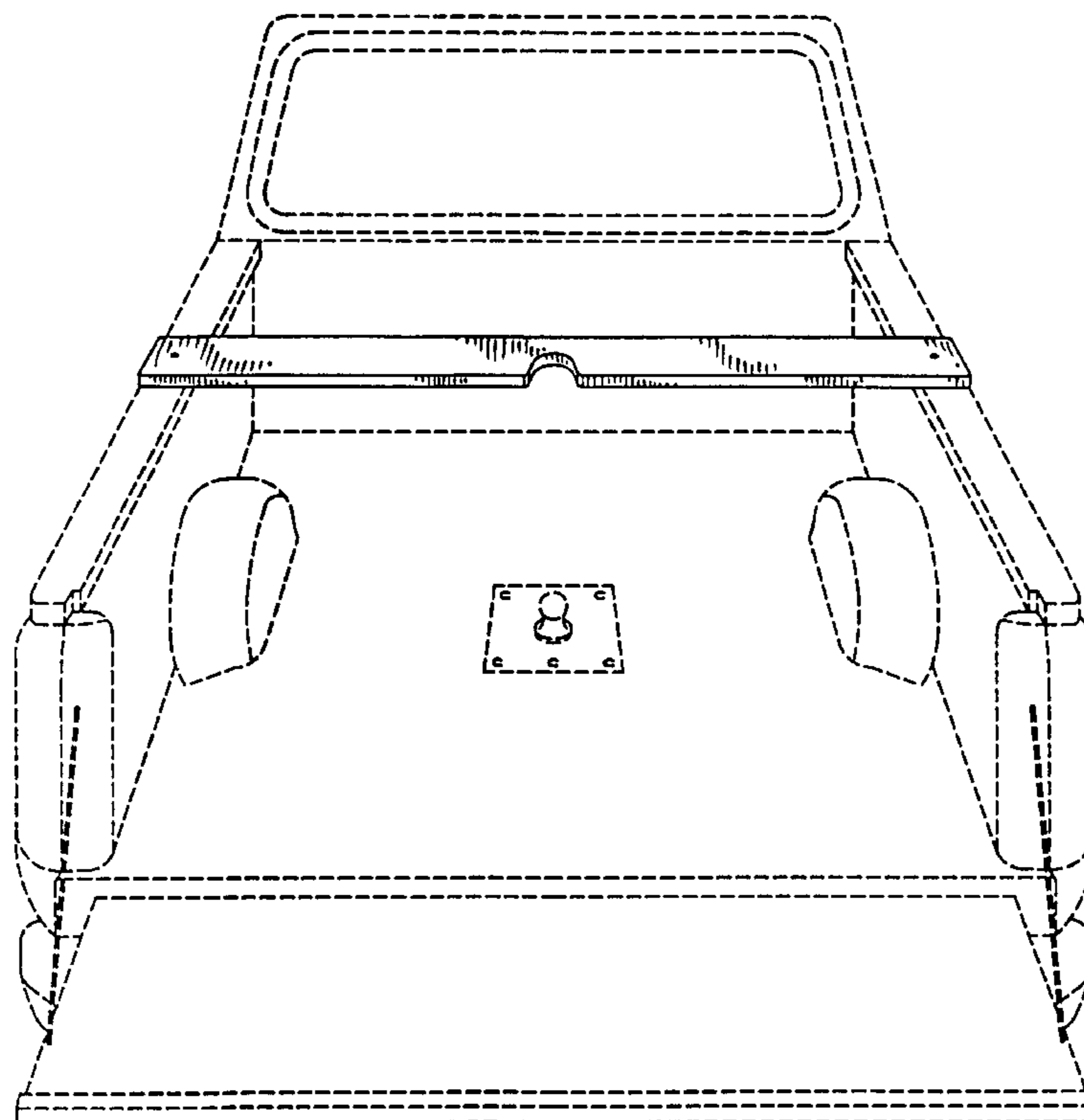
The ornamental design for a trailer hitch alignment device, as shown and described.

**DESCRIPTION**

FIG. 1 is a perspective view of the trailer hitch alignment device showing my new design; positioned in a truck bed and in alignment with trailer hitch, FIG. 2 is an enlarged perspective view thereof; FIG. 3 is a perspective view thereof; FIG. 4 is a top plan view thereof; FIG. 5 is a bottom plan view thereof; FIG. 6 is a front elevational view thereof; FIG. 7 is a rear elevational view thereof; FIG. 8 is a left side elevational view thereof; FIG. 9 is a right side elevational view thereof; and, FIG. 10 is a rear perspective view of my design positioned on a truckbed.

The portions shown in broken lines are included for illustrative purposes only and form no part of the claimed design.

**1 Claim, 6 Drawing Sheets**



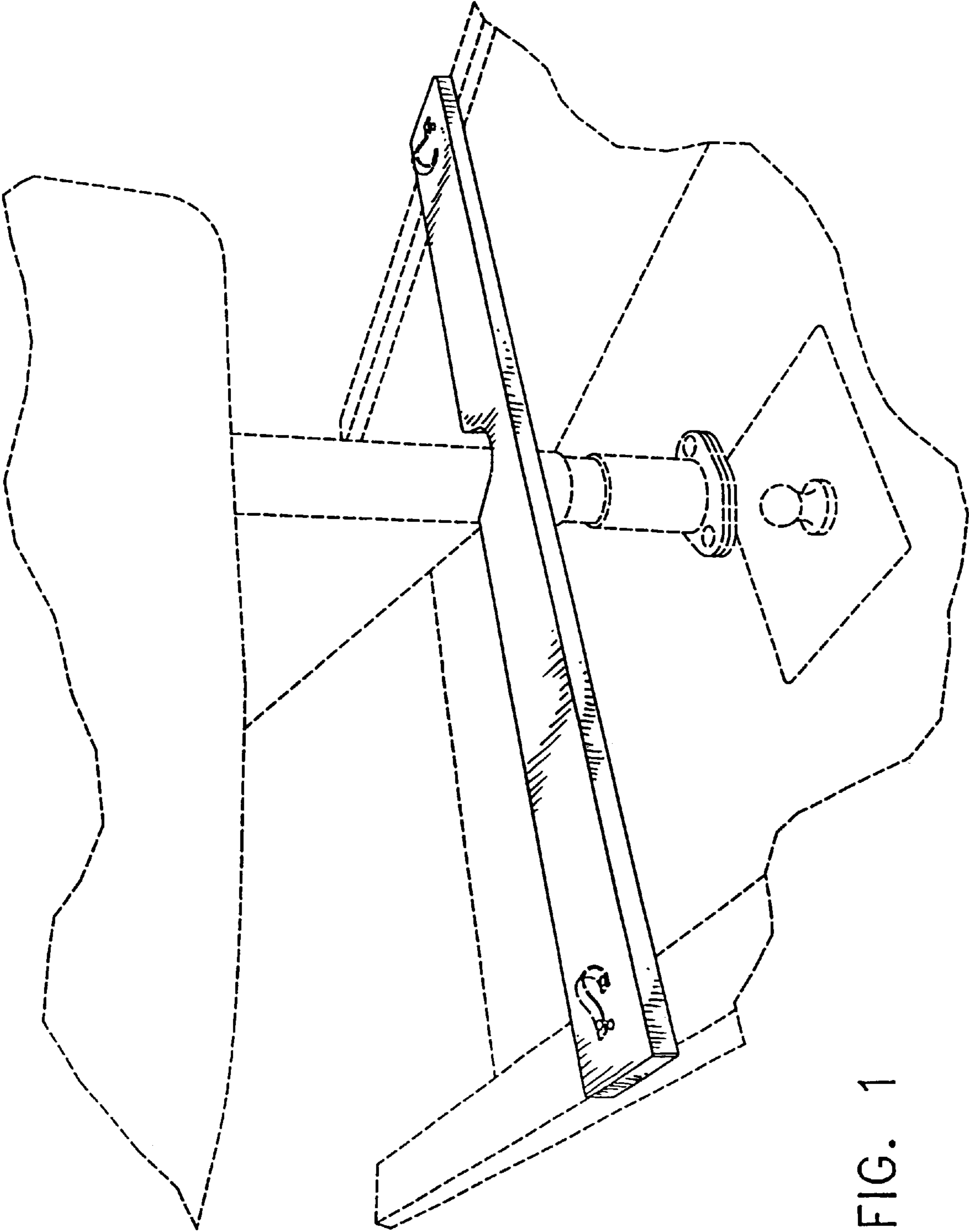


FIG. 1

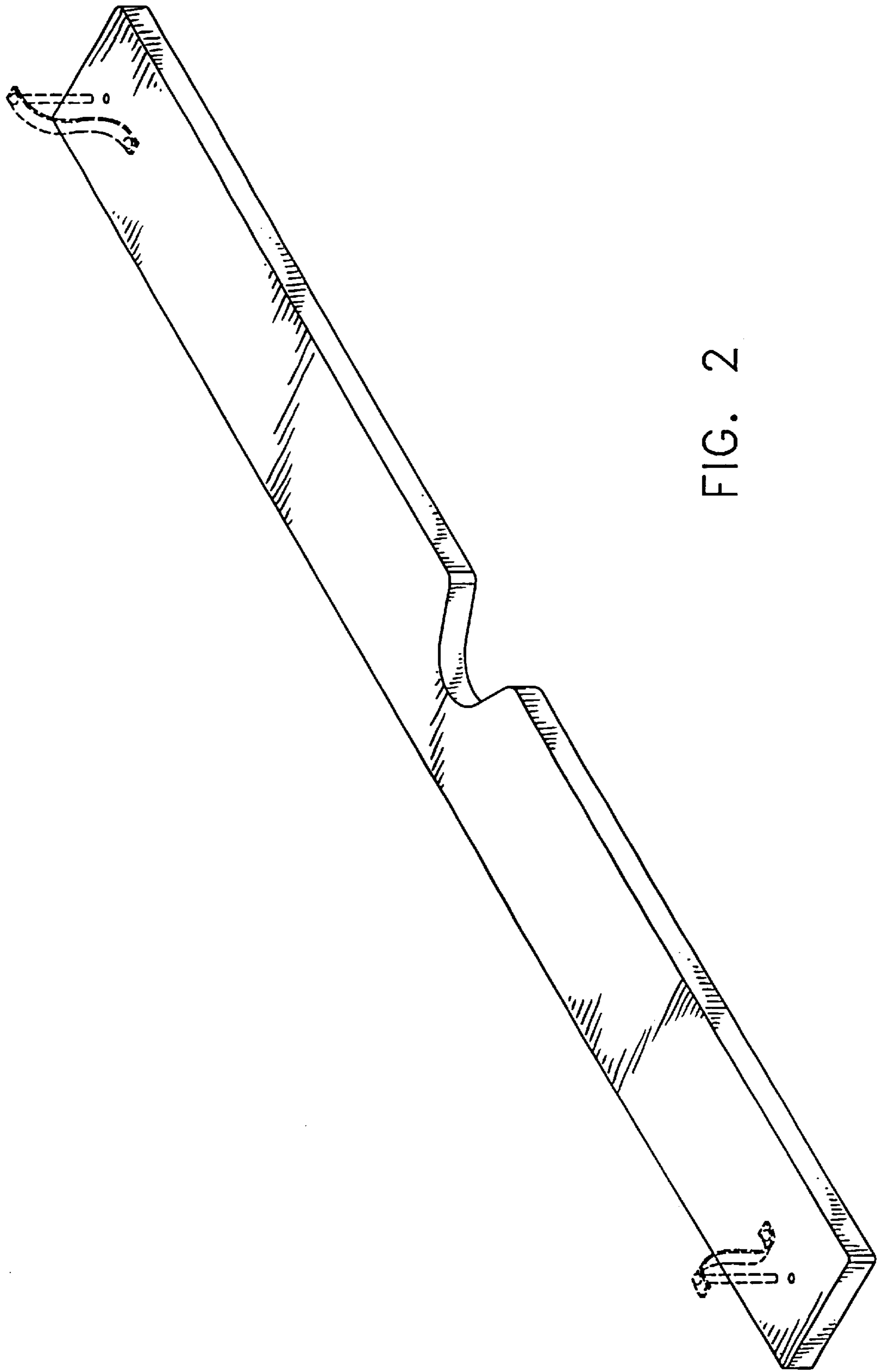


FIG. 2

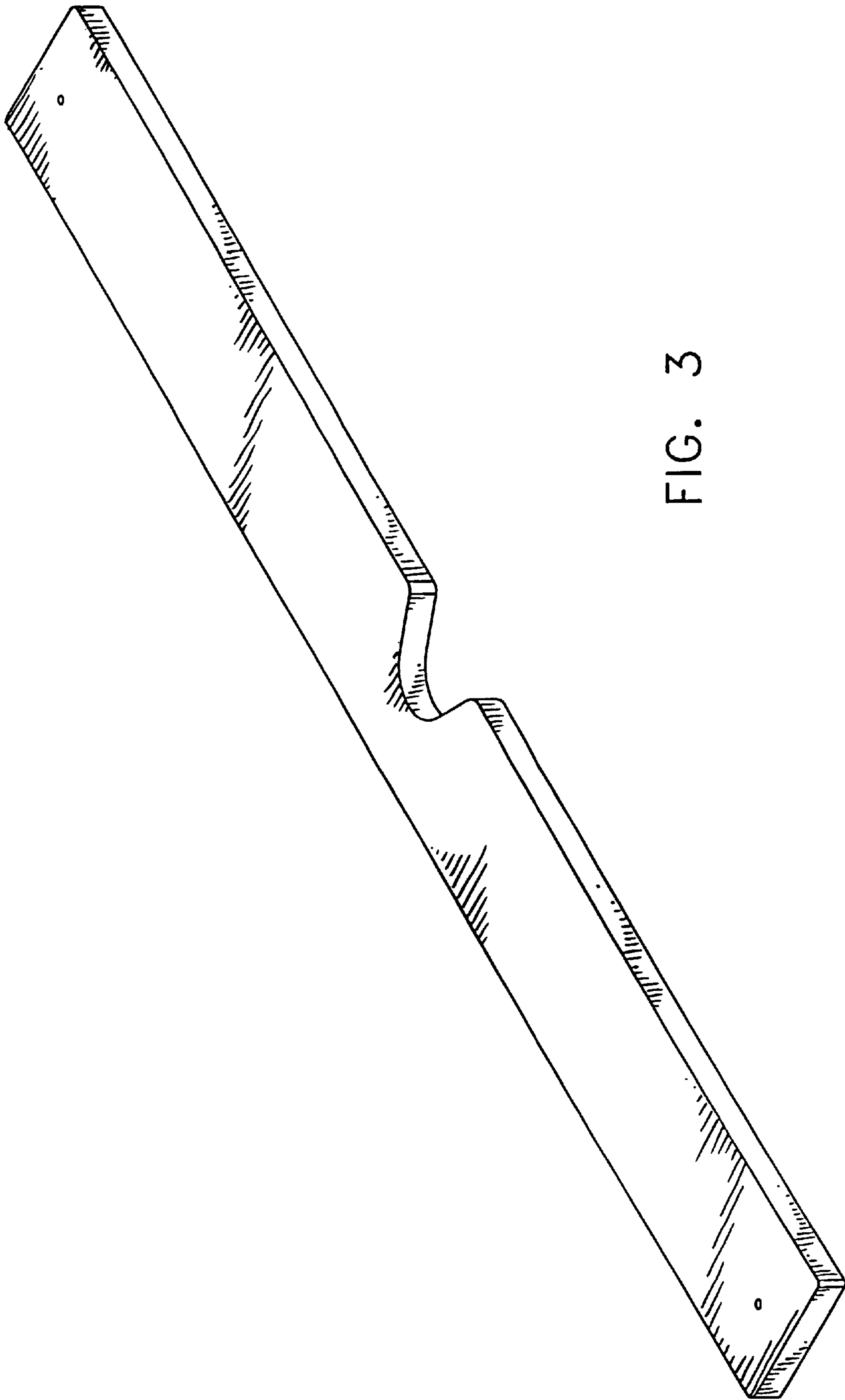


FIG. 3

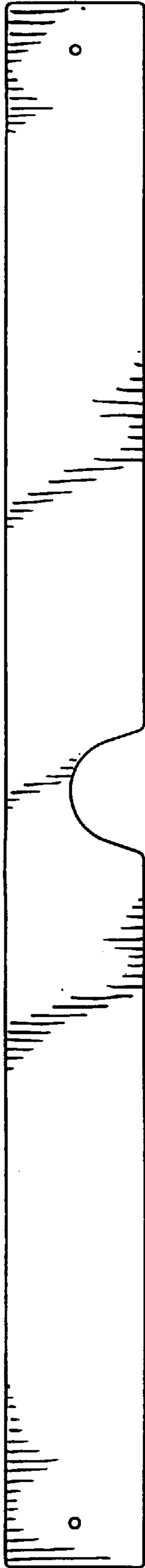


FIG. 4

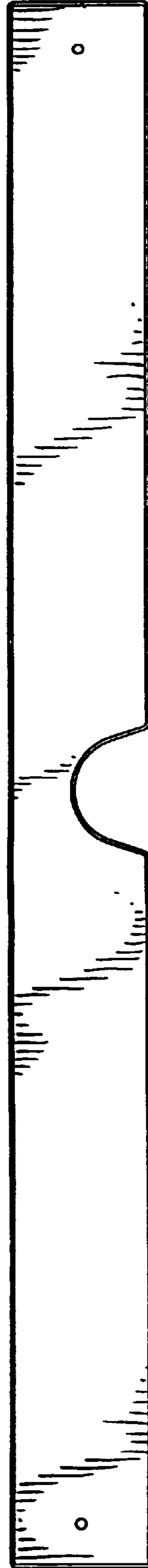


FIG. 5

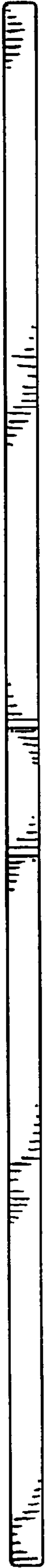


FIG. 6



FIG. 7



FIG. 8



FIG. 9

FIG. 10

