



US00D526939S

(12) **United States Design Patent**
Profitt et al.

(10) **Patent No.:** **US D526,939 S**

(45) **Date of Patent:** **** Aug. 22, 2006**

(54) **BALL FOR TRAILER HITCH**

(76) Inventors: **Ronald E. Profitt**, P.O. Box 7608,
Kalispell, MT (US) 59901; **Marvin W. Sandberg**, P.O. Box 438, Sublimity, OR
(US) 97385

(**) Term: **14 Years**

(21) Appl. No.: **29/203,494**

(22) Filed: **Apr. 16, 2004**

(51) **LOC (8) Cl.** **12-16**

(52) **U.S. Cl.** **D12/162**

(58) **Field of Classification Search** D12/106,
D12/161, 162, 199, 400; D9/441, 451, 618;
D29/102-104, 106; 280/186, 402-404, 405,
280/405.1, 405.2, 407, 407.1, 416.2, 455.1,
280/491.5, 433, 434, 438 R
See application file for complete search history.

(56) **References Cited**

U.S. PATENT DOCUMENTS

D375,065 S * 10/1996 Duvernay et al. D12/162
D415,986 S * 11/1999 Stech D12/162
D436,065 S * 1/2001 Peng D12/162

6,203,048 B1 * 3/2001 Adair 280/491.5
D488,110 S * 4/2004 Borysenko D12/162
D501,434 S * 2/2005 Peng D12/162
2003/0020256 A1 * 1/2003 Irgens et al. 280/511
2005/0104327 A1 * 5/2005 Irgens et al. 280/511

* cited by examiner

Primary Examiner—Doris Clark

Assistant Examiner—Michael Pratt

(74) *Attorney, Agent, or Firm*—Keith S. Bergman

(57) **CLAIM**

The ornamental design for ball for trailer hitch, shown and described.

DESCRIPTION

FIG. 1 is an isometric view of the ball for trailer hitch showing our design;

FIG. 2 is a front elevational view which is the same as the rear elevational view thereof;

FIG. 3 is a right side elevational view which is the same as the left side elevational view thereof;

FIG. 4 is a top view thereof; and,

FIG. 5 is a bottom view thereof.

1 Claim, 4 Drawing Sheets

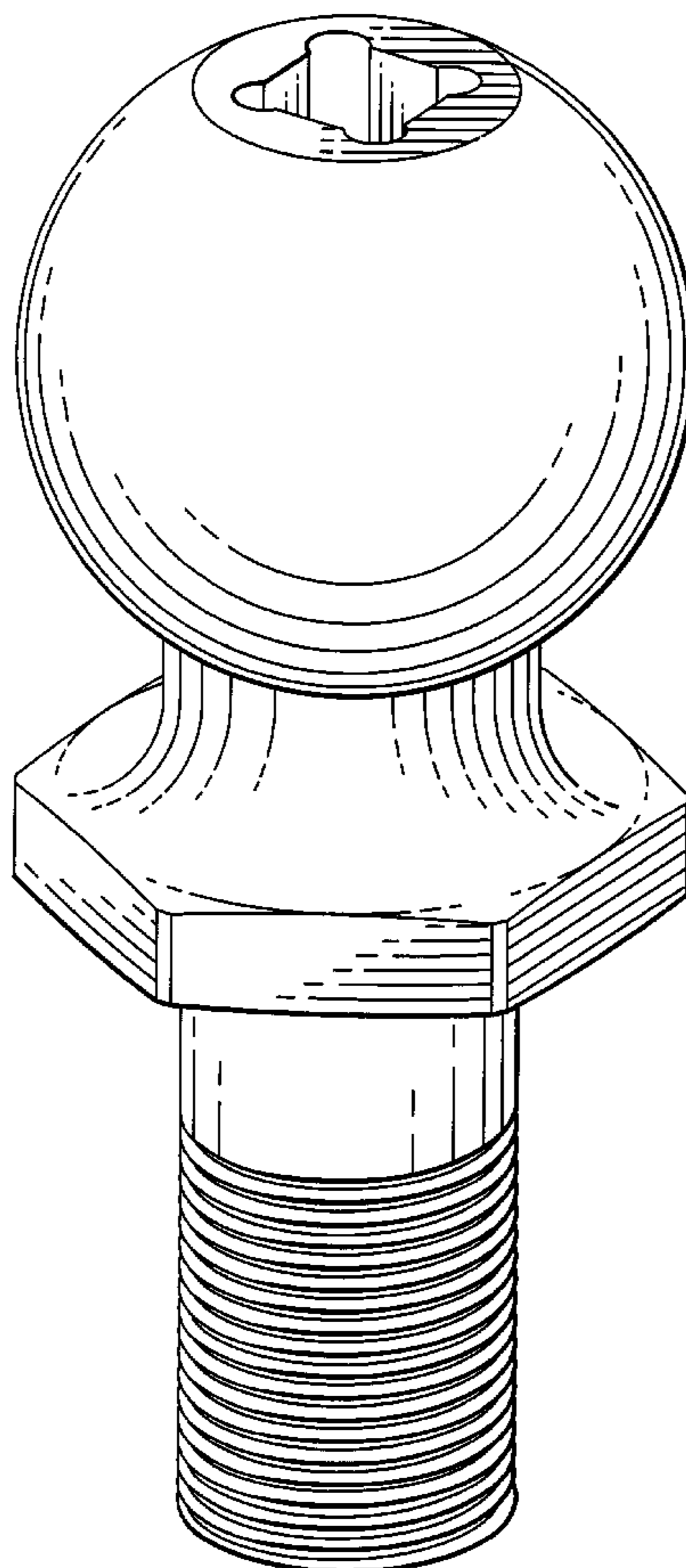


FIG. 1

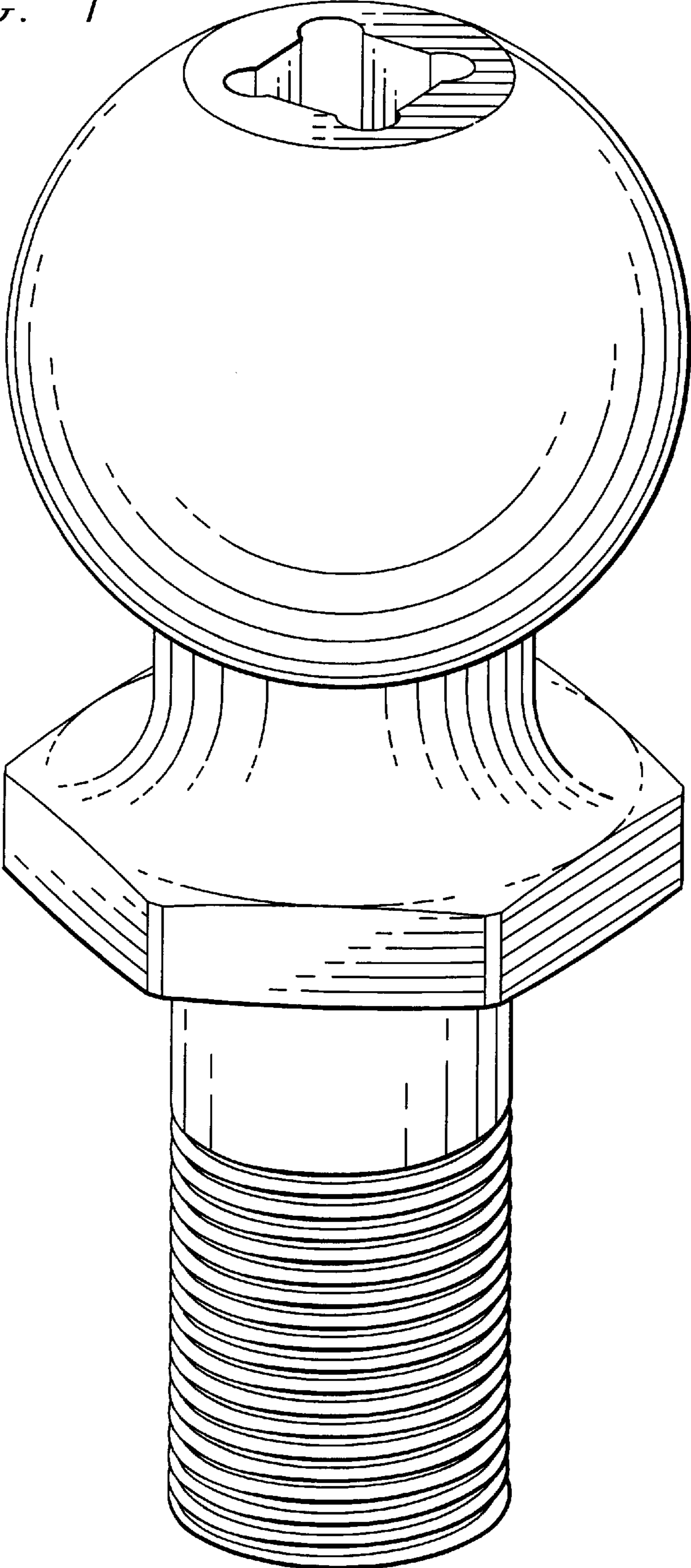


FIG. 2

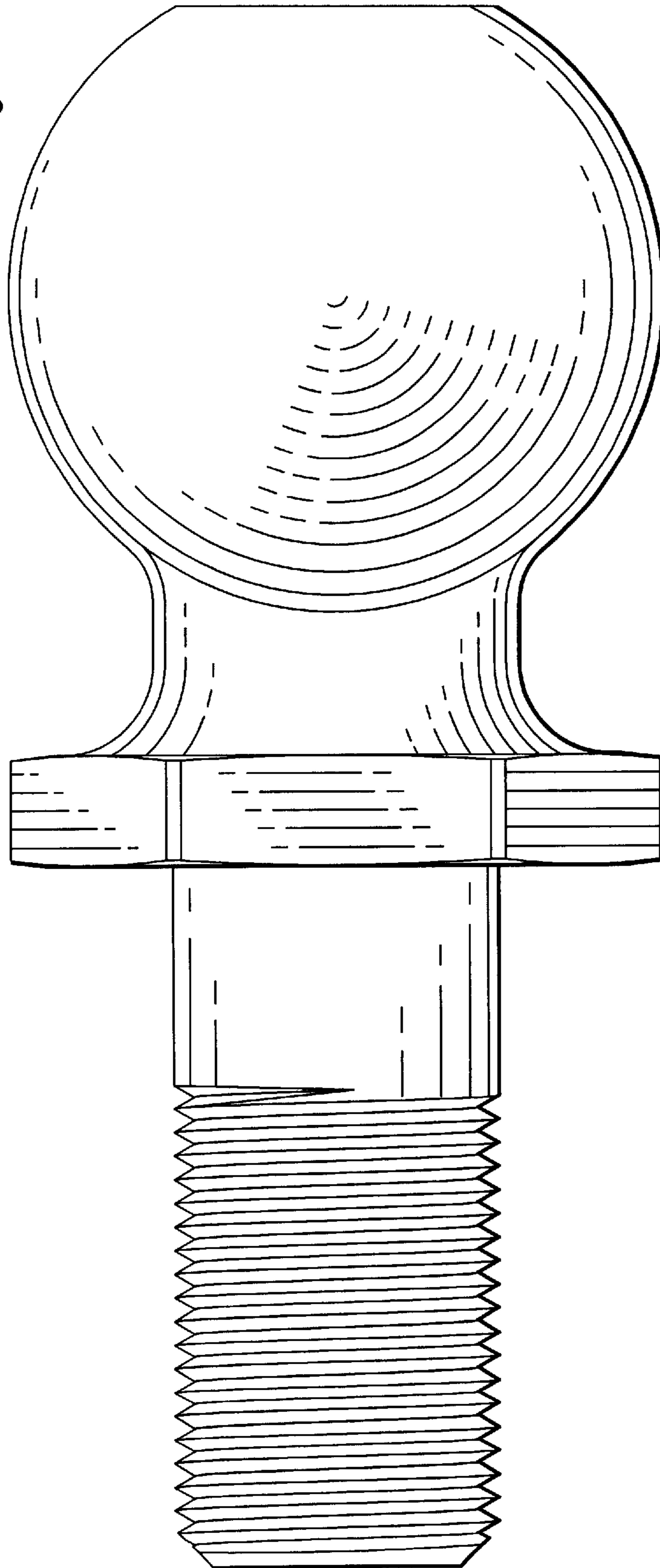


FIG. 3

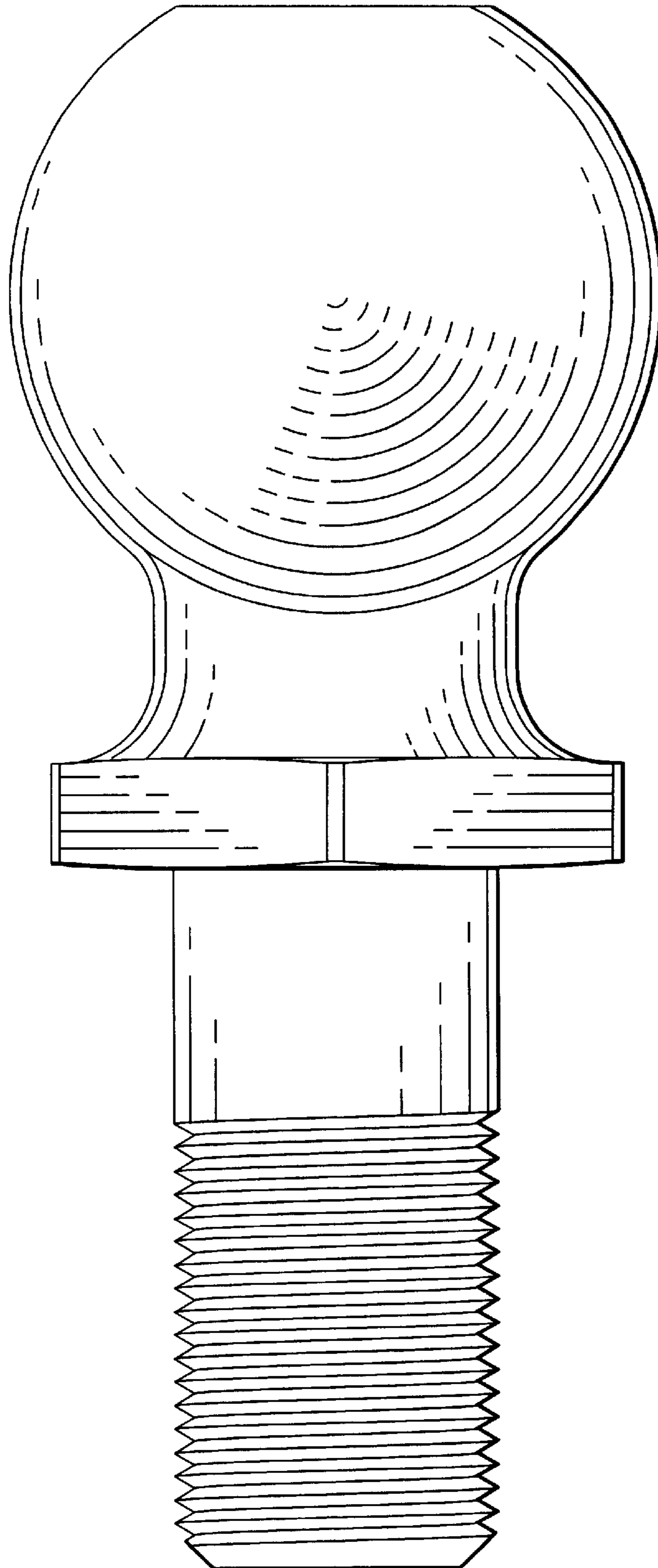


FIG. 5

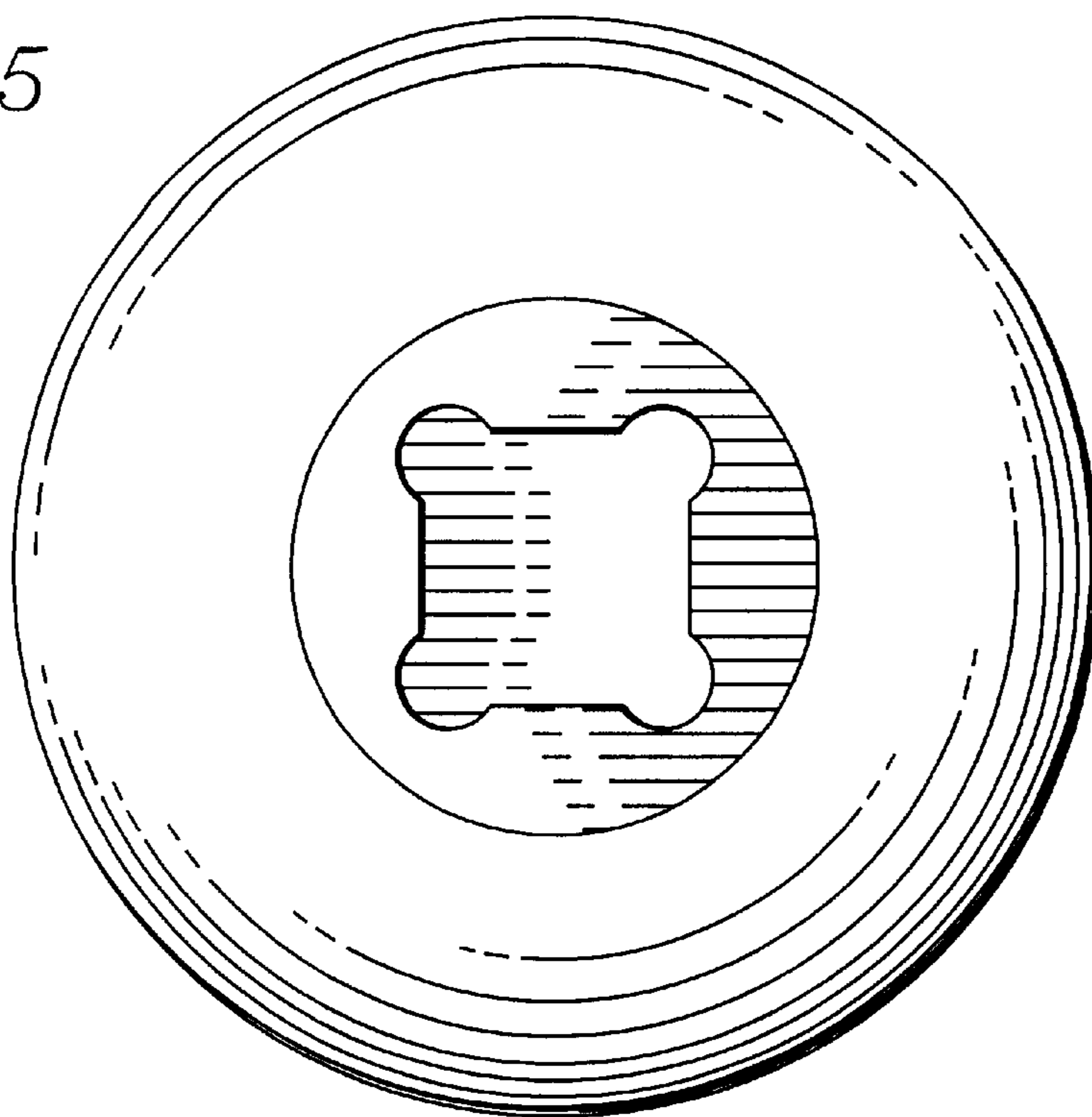


FIG. 4

