



US00D526938S

(12) **United States Design Patent**  
**Nagel**

(10) **Patent No.:** **US D526,938 S**

(45) **Date of Patent:** **\*\* Aug. 22, 2006**

(54) **MOTOR VEHICLE**

(76) **Inventor:** **Lutz Nagel**, Hölderlinstrasse 3,  
D-08056 Zwickau (DE)

(\*\*) **Term:** **14 Years**

(21) **Appl. No.:** **29/239,281**

(22) **Filed:** **Sep. 28, 2005**

(30) **Foreign Application Priority Data**

Mar. 29, 2005 (EP) ..... 000 317 631

(51) **LOC (8) Cl.** ..... **12-12**

(52) **U.S. Cl.** ..... **D12/128**

(58) **Field of Classification Search** ..... D12/128-133;  
280/250.1, 304.1; 180/6.5, 65.1, 907, 908;  
297/DIG. 4

See application file for complete search history.

(56) **References Cited**

**U.S. PATENT DOCUMENTS**

D403,279 S \* 12/1998 Wu ..... D12/131

D460,028 S \* 7/2002 Wu et al. .... D12/128  
D479,496 S \* 9/2003 Tsai et al. .... D12/128  
D488,409 S \* 4/2004 Tsai ..... D12/128  
D490,753 S \* 6/2004 Tsai ..... D12/128  
D511,720 S \* 11/2005 Chen ..... D12/128

\* cited by examiner

*Primary Examiner*—Marcus A. Jackson

(74) *Attorney, Agent, or Firm*—Collard & Roe, P.C.

(57) **CLAIM**

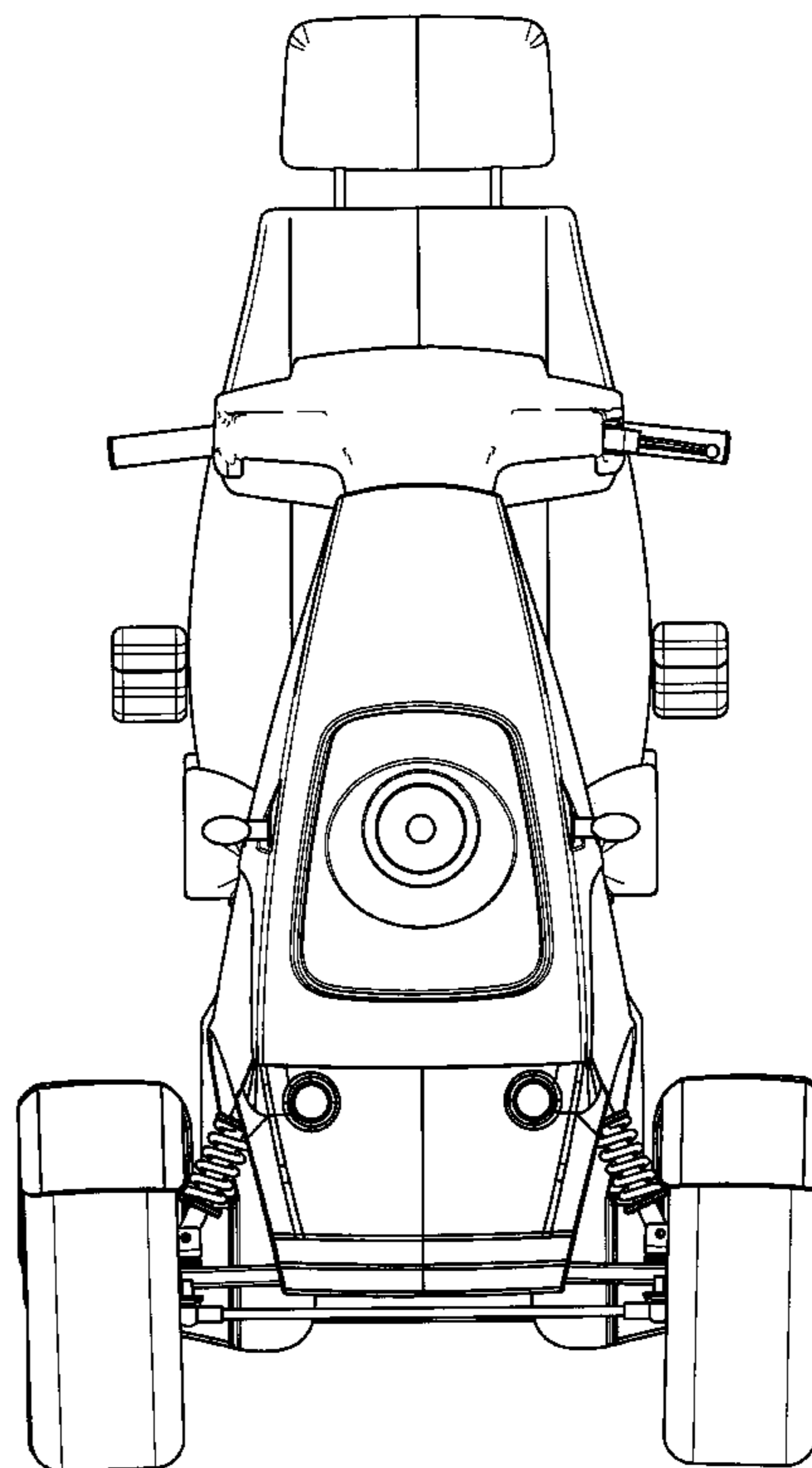
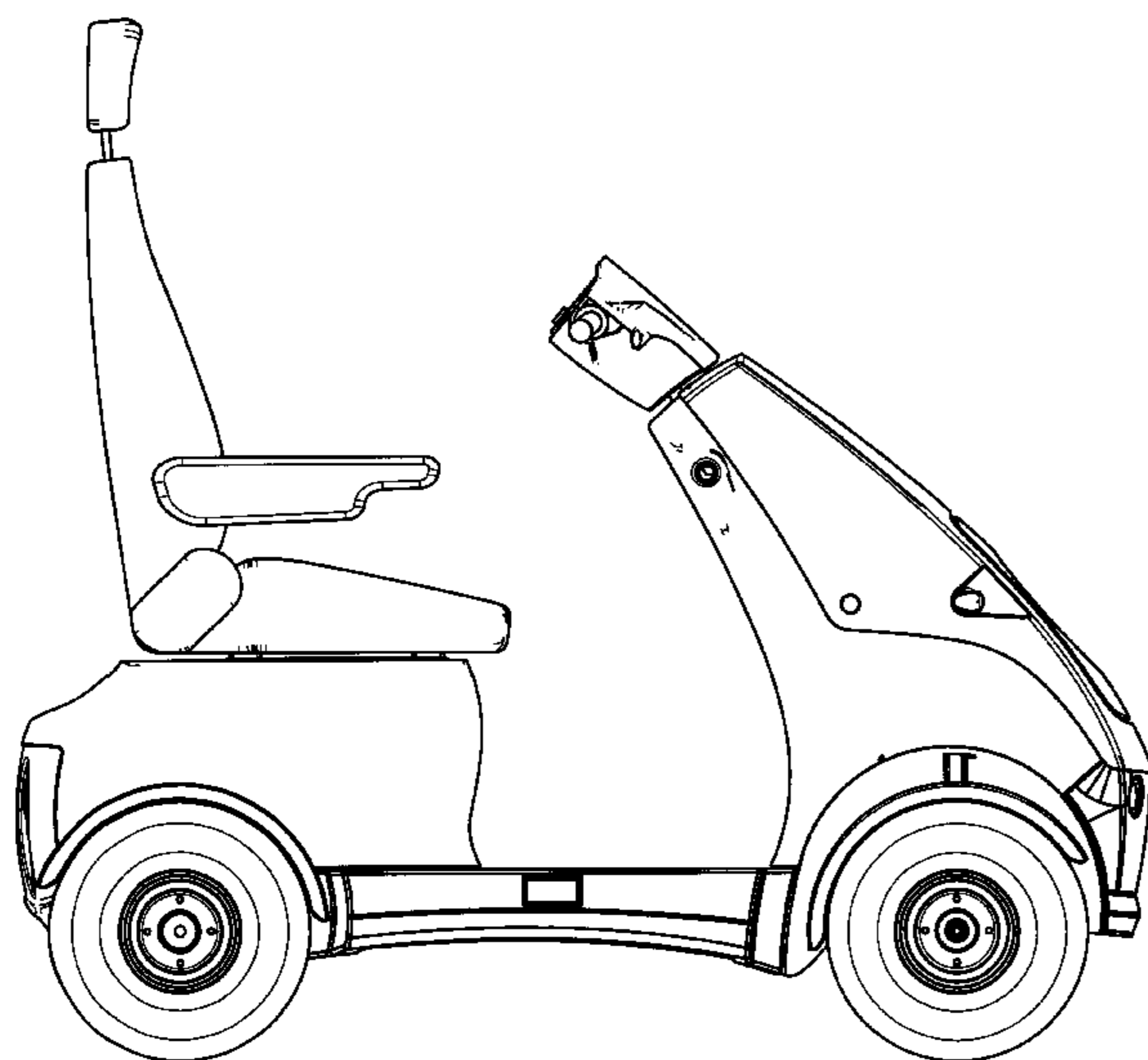
The ornamental design for a motor vehicle, as shown and described.

**DESCRIPTION**

FIG. 1 shows a top view of my design for a motor vehicle; FIG. 2 shows a side view thereof, with the opposite side view being a mirror image thereof; FIG. 3 shows a front view thereof; and, FIG. 4 shows a rear view thereof.

The bottom view is not shown and forms no part of the invention.

**1 Claim, 4 Drawing Sheets**



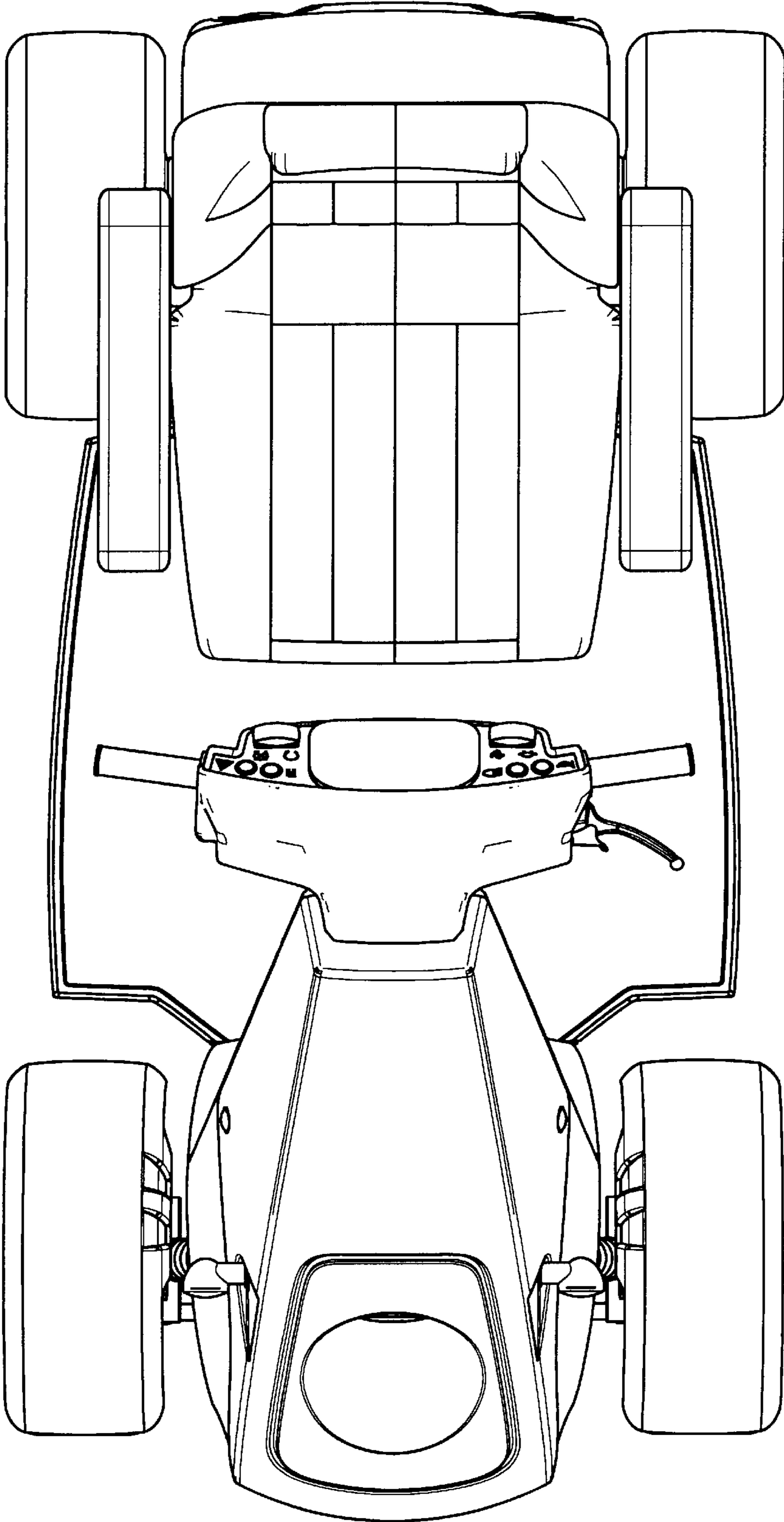


FIG 1

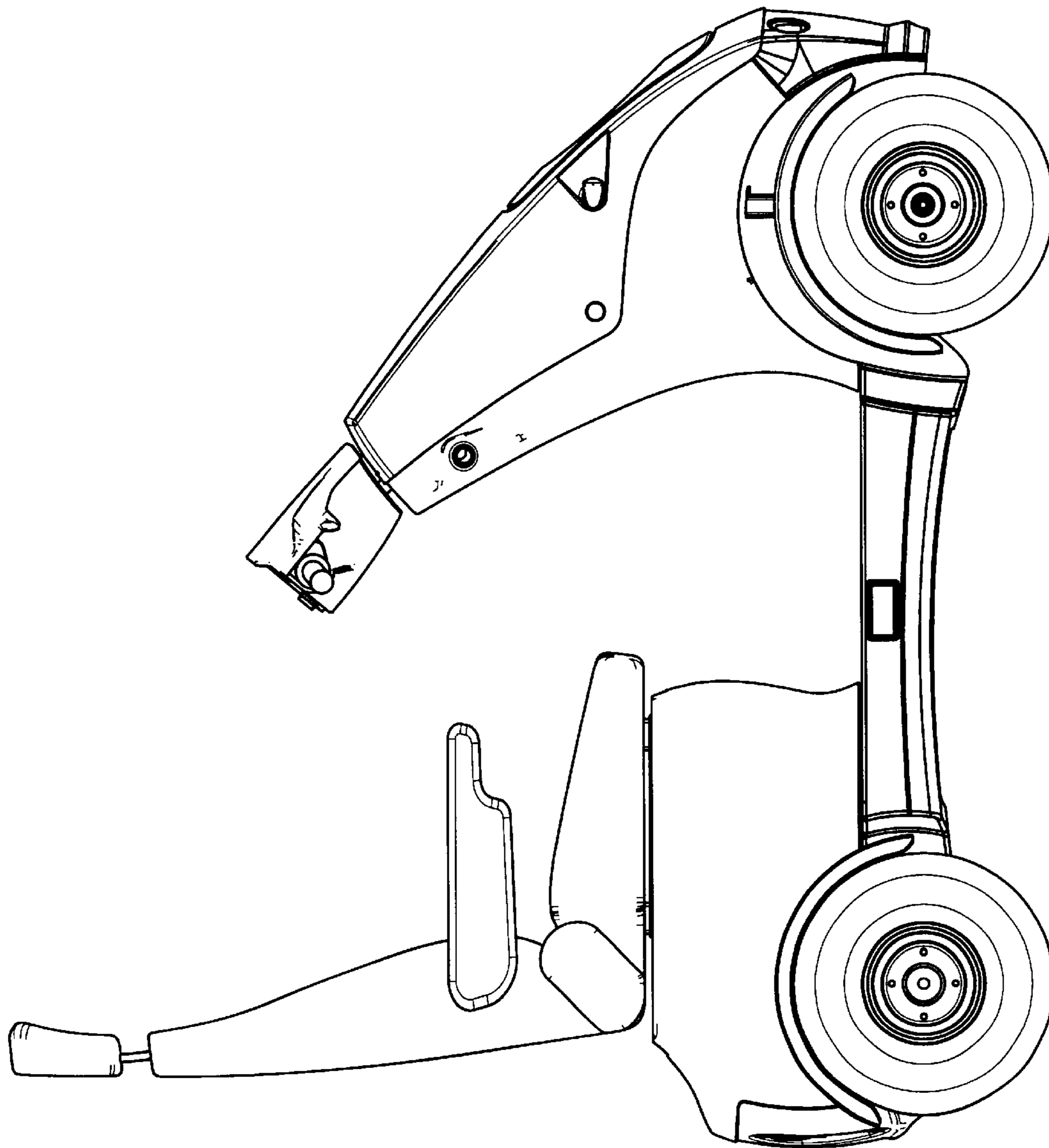


FIG 2

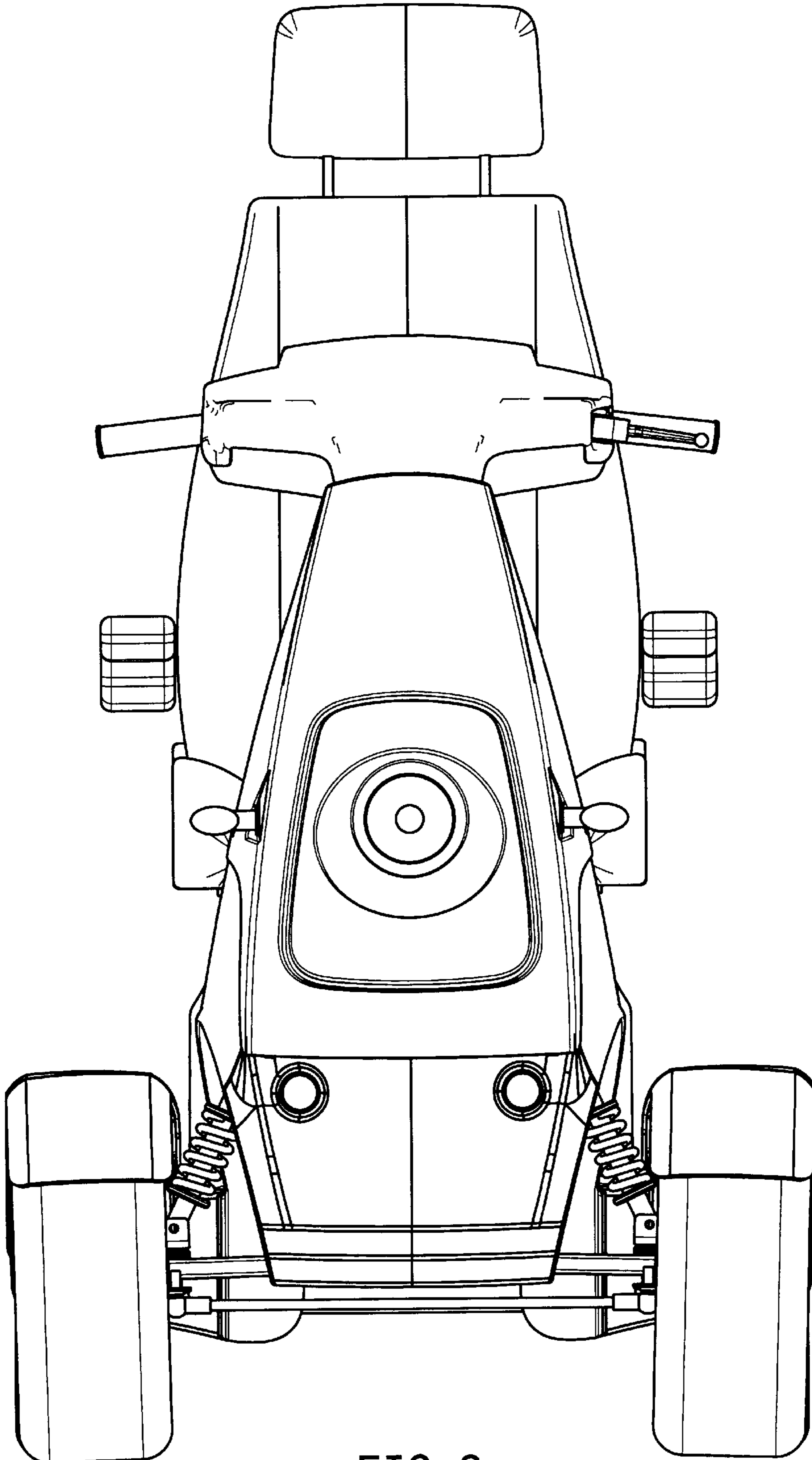


FIG 3

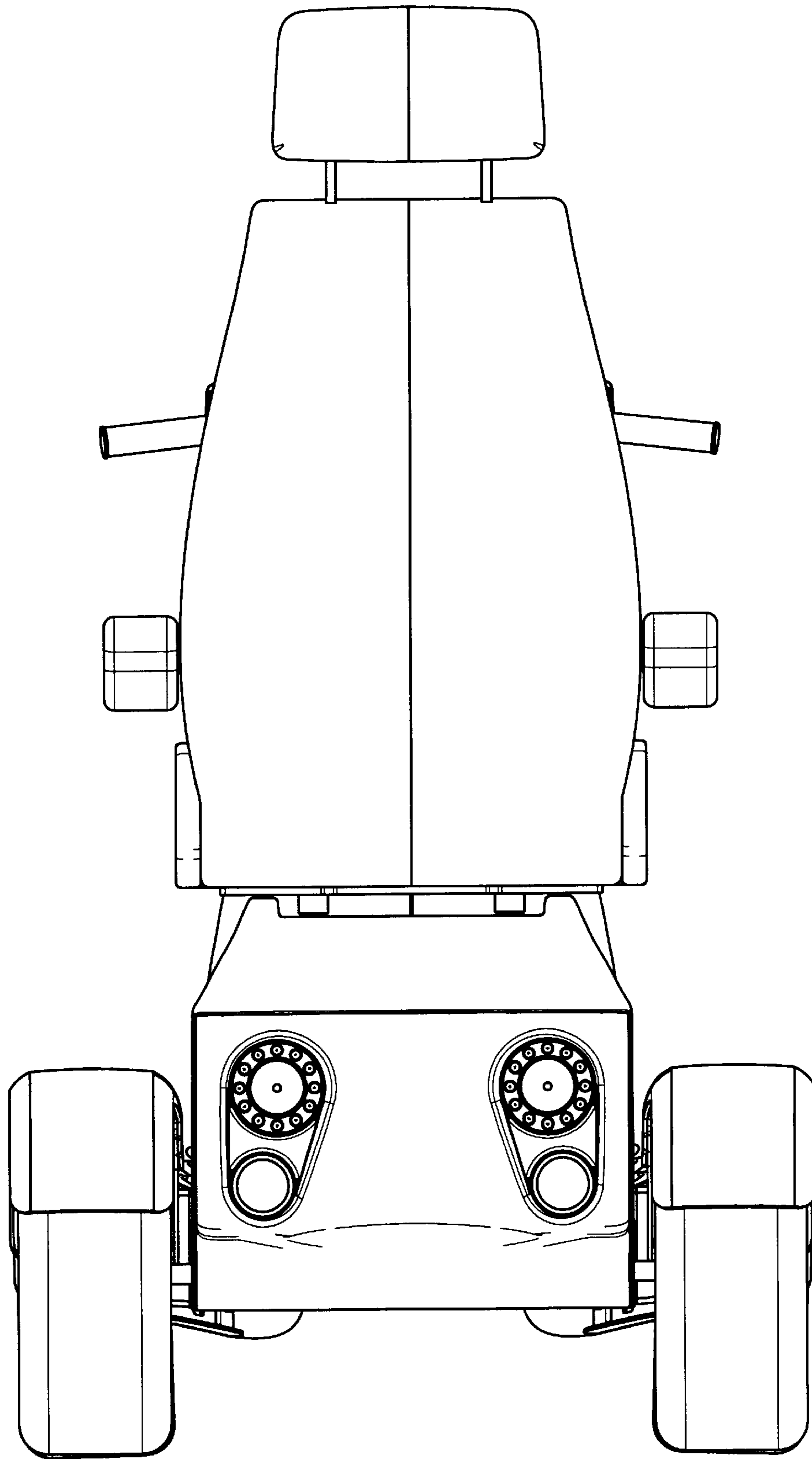


FIG 4