



US00D526936S

(12) **United States Design Patent**
Maruyama et al.

(10) **Patent No.:** **US D526,936 S**

(45) **Date of Patent:** **** Aug. 22, 2006**

(54) **MOTORCYCLE**

(75) Inventors: **Takashi Maruyama**, Wako (JP);
Hiroshi Nitta, Wako (JP)

(73) Assignee: **Honda Motor Co., Ltd.**, Tokyo (JP)

(**) Term: **14 Years**

(21) Appl. No.: **29/233,745**

(22) Filed: **Jul. 11, 2005**

Related U.S. Application Data

(63) Continuation of application No. 29/210,366, filed on Jul. 30, 2004, now abandoned.

(30) **Foreign Application Priority Data**

Feb. 2, 2004 (JP) 2004-2462

(51) **LOC (8) Cl.** **12-11**

(52) **U.S. Cl.** **D12/110**

(58) **Field of Classification Search** D12/110;
180/219, 220, 225, 229

See application file for complete search history.

(56) **References Cited**

U.S. PATENT DOCUMENTS

D419,922 S 2/2000 Yamase et al.
D431,501 S 10/2000 Yamamoto et al.
D482,639 S 11/2003 Yamamoto et al.

OTHER PUBLICATIONS

Honda Racing Corporation, Sales Block; The Trial Motorcycle For Sale by Honda Racing Corporation, "RTL250R", A Guide to Publication and Release of the Model for 2000 Year; Publication Date: Jul. 1, 1999; Asska, Saitama, Japan.

Primary Examiner—Alan P. Douglas

Assistant Examiner—Linda Brooks

(74) *Attorney, Agent, or Firm*—Arent Fox PLLC

(57) **CLAIM**

The ornamental design for a motorcycle, as shown and described.

DESCRIPTION

FIG. 1 is a front view of a motorcycle showing my new design;

FIG. 2 is a rear view thereof;

FIG. 3 is a plan view thereof;

FIG. 4 is a bottom view thereof;

FIG. 5 is a right side view thereof;

FIG. 6 is a left side view thereof;

FIG. 7 is a perspective view thereof as seen from the right front side;

FIG. 8 is a perspective view thereof as seen from the right rear side;

FIG. 9 is a perspective view thereof as seen from the left front side; and,

FIG. 10 is a perspective view thereof as seen from the left rear side.

1 Claim, 5 Drawing Sheets

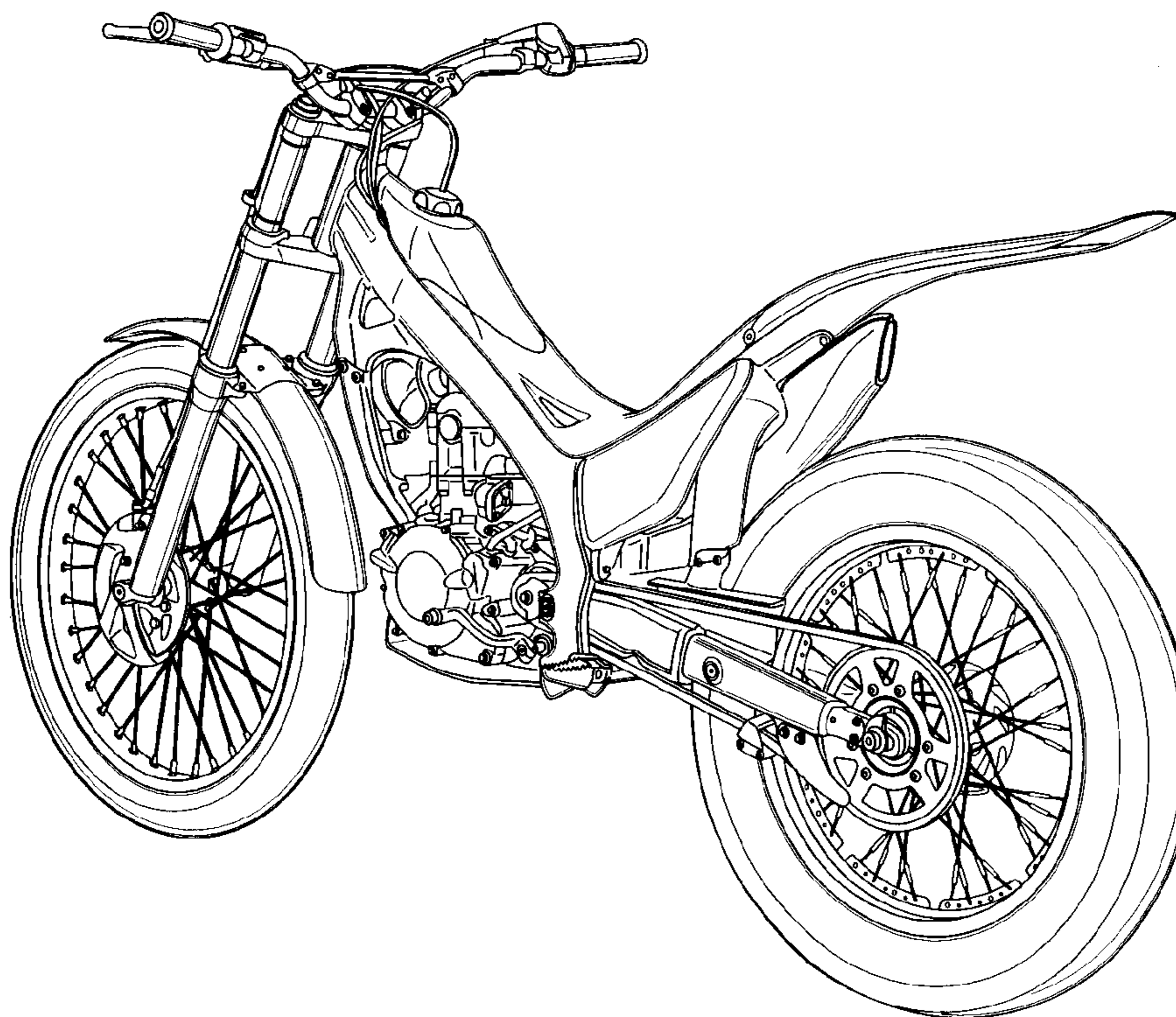


FIG.1

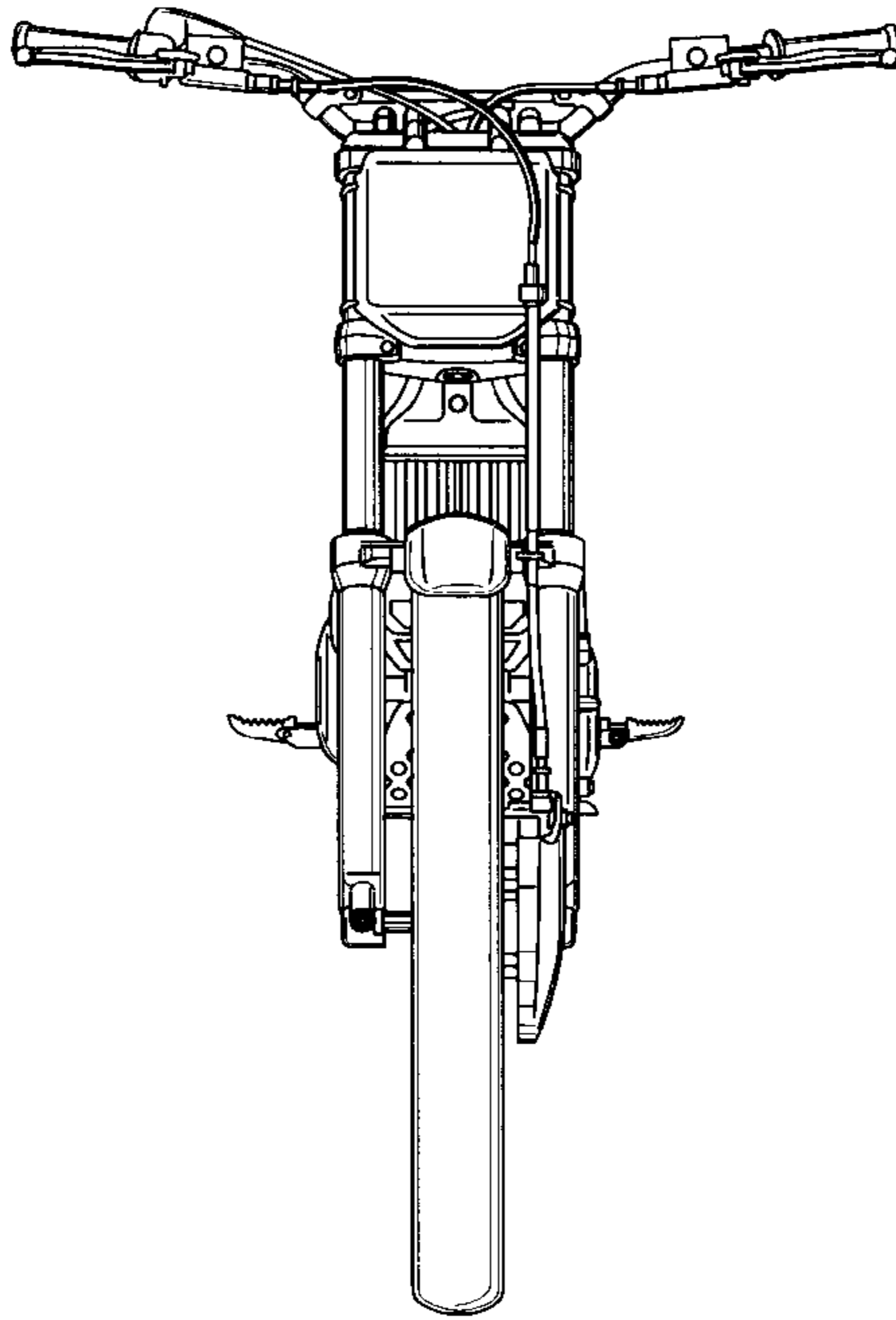


FIG.2

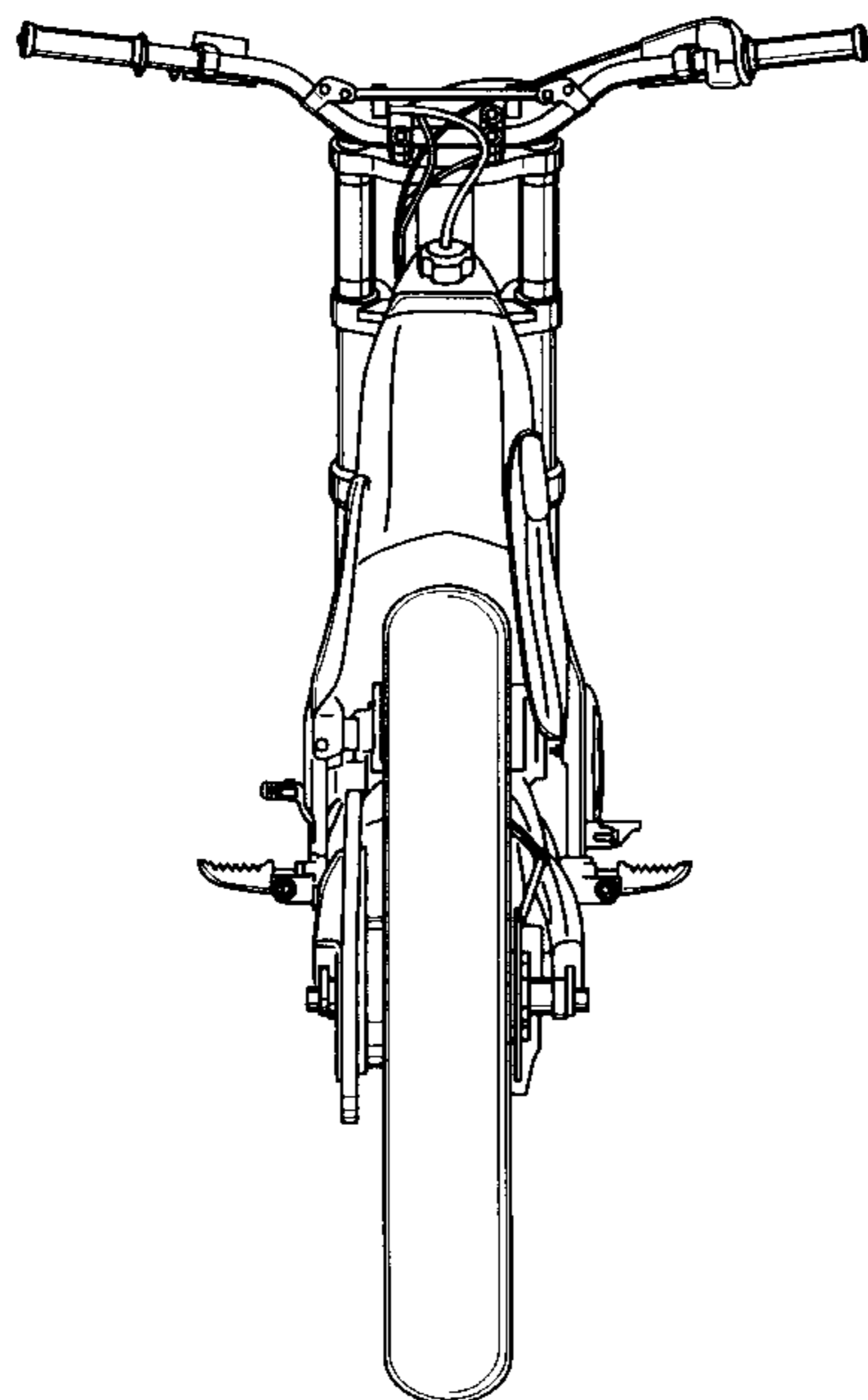


FIG.3

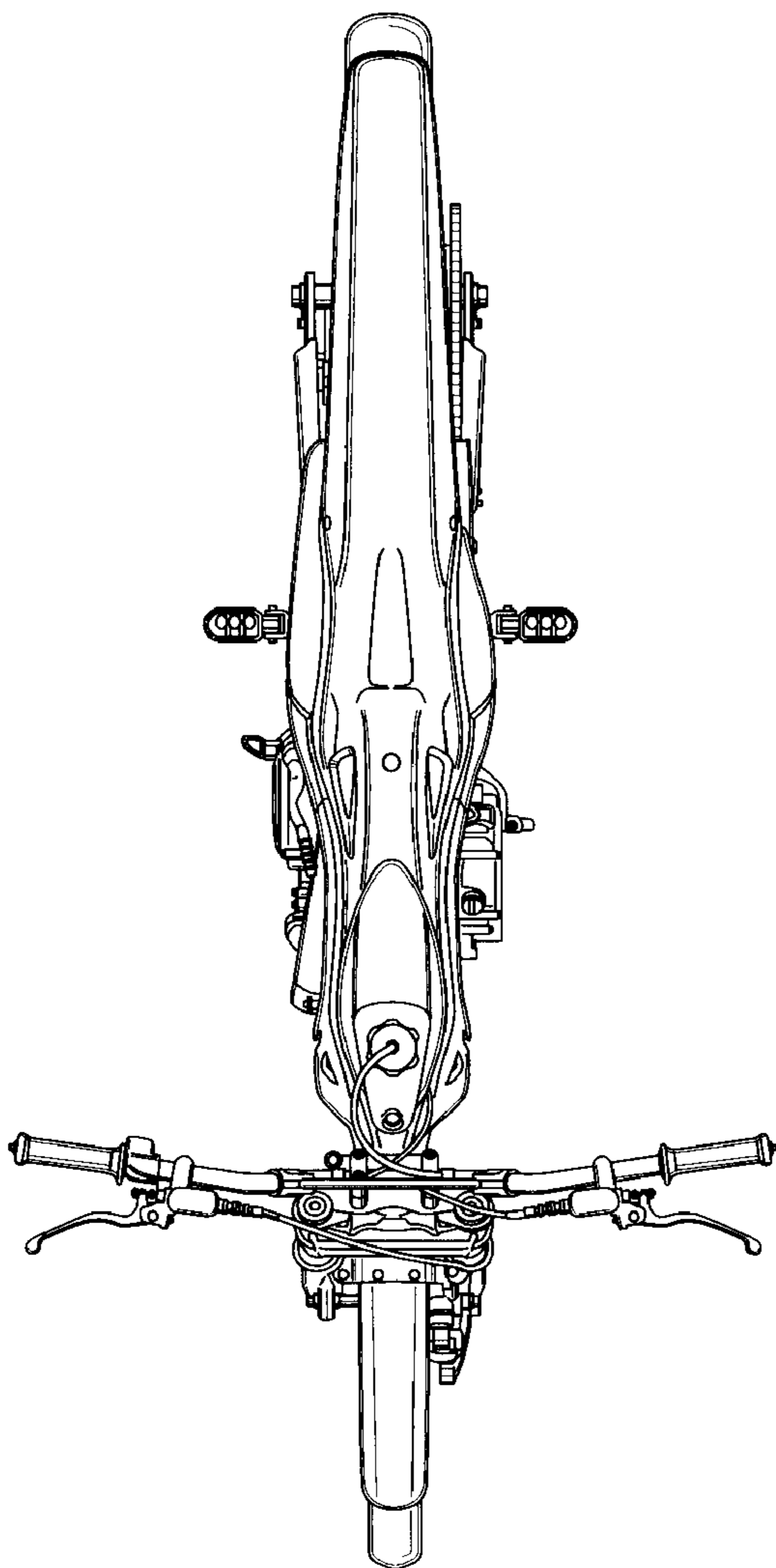


FIG.4

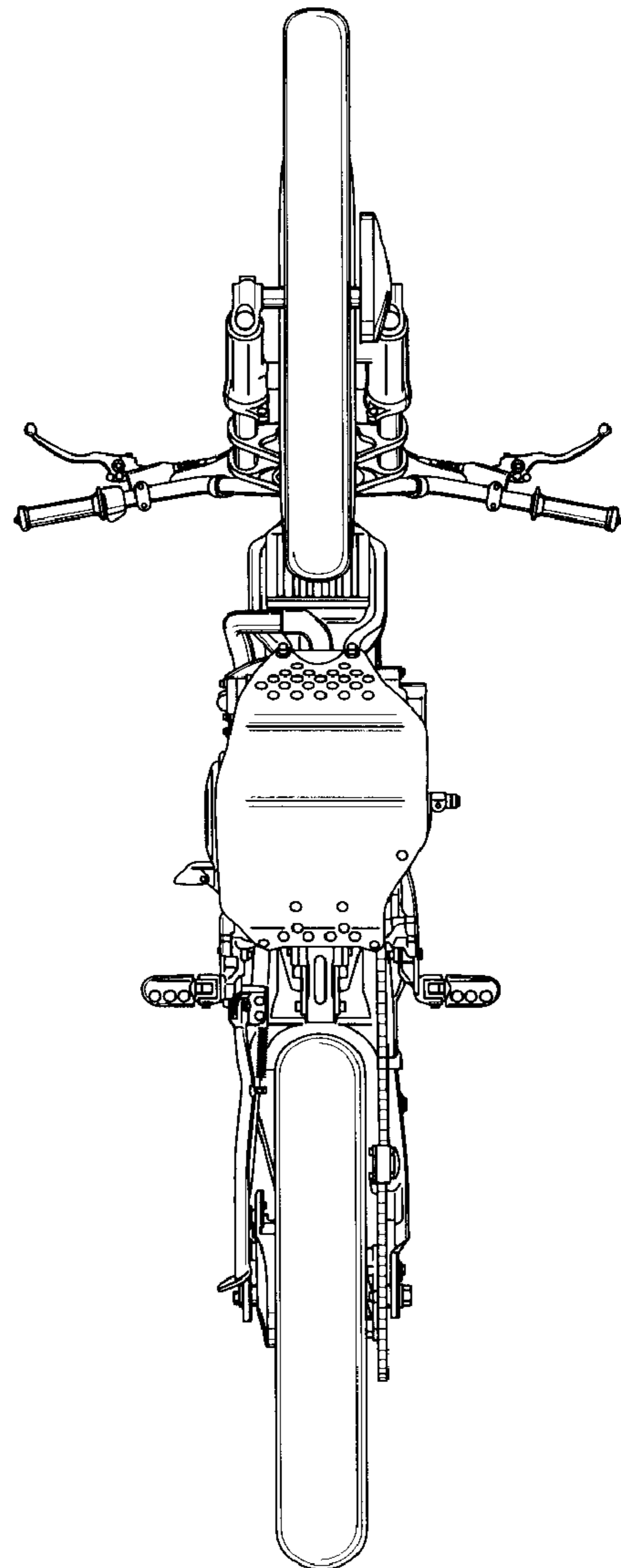


FIG.5

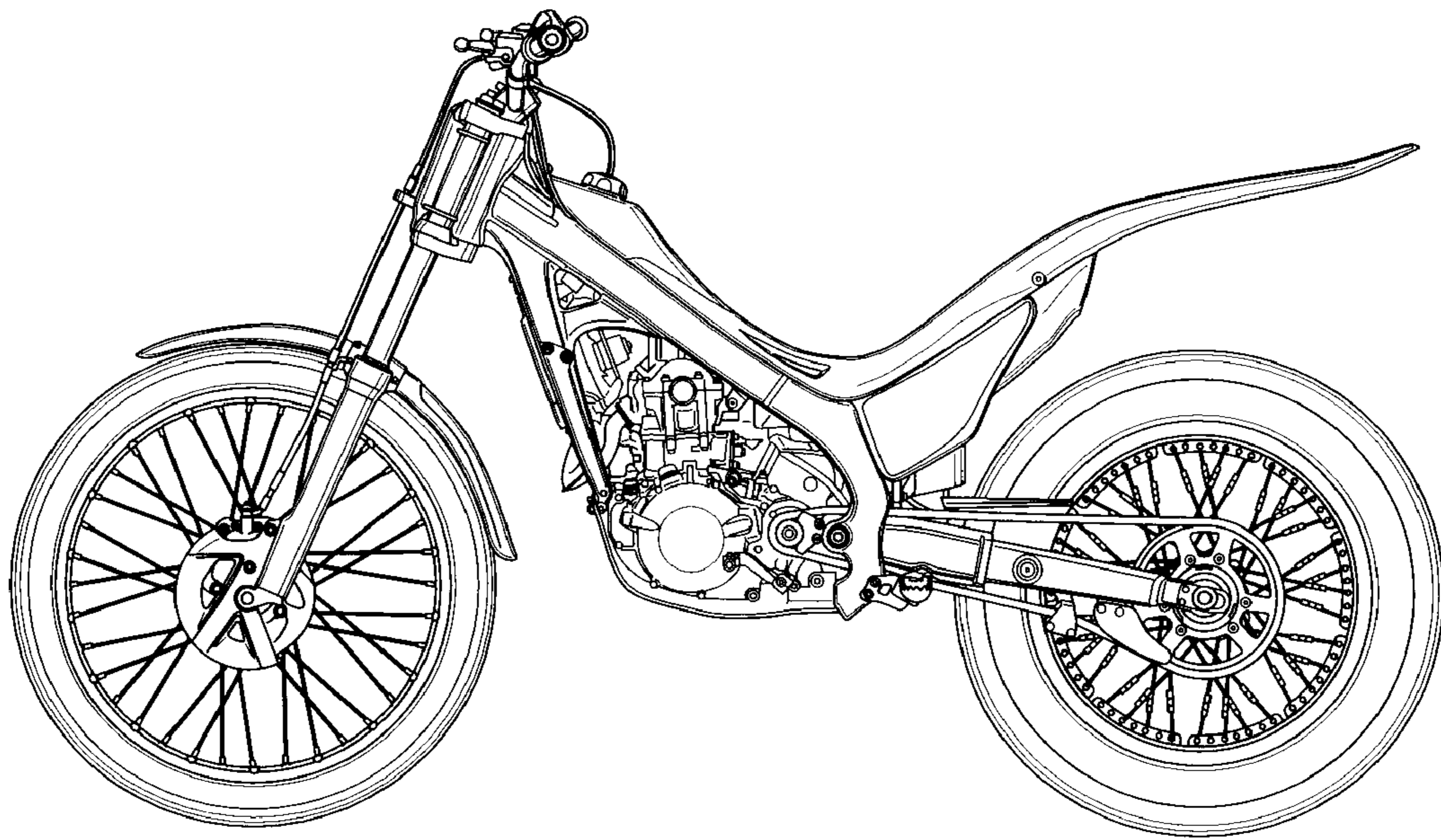


FIG.6

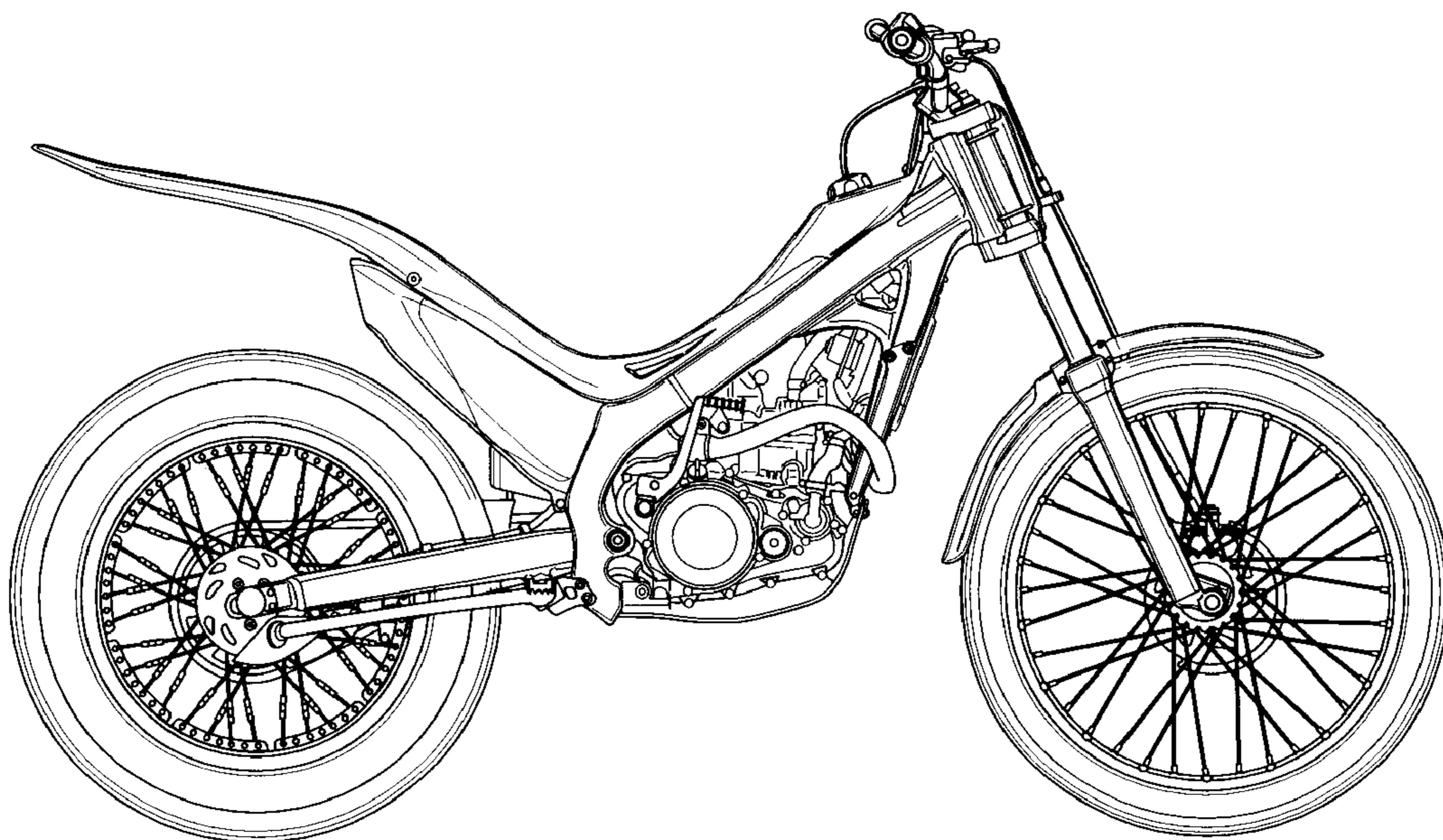


FIG.7

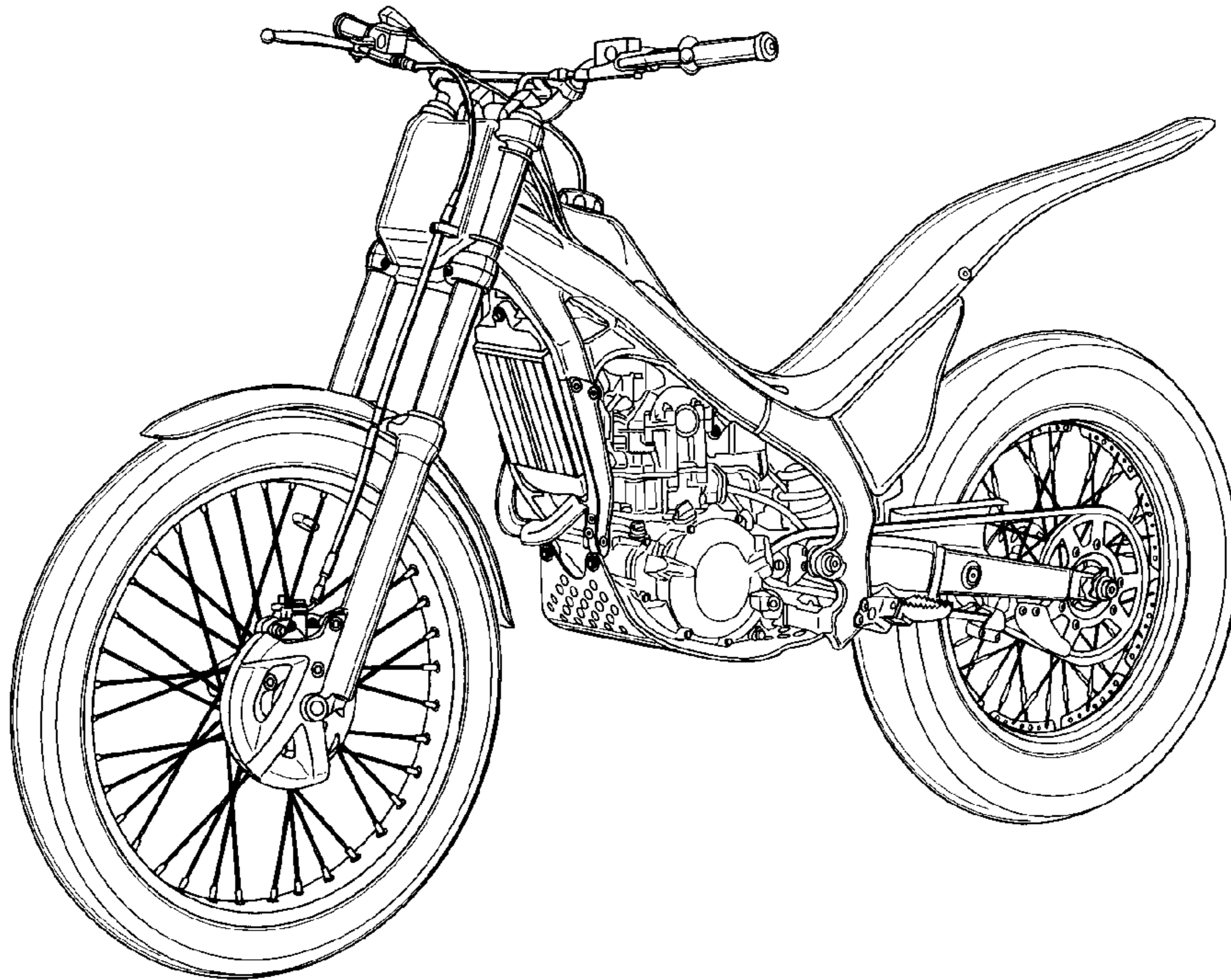


FIG.8

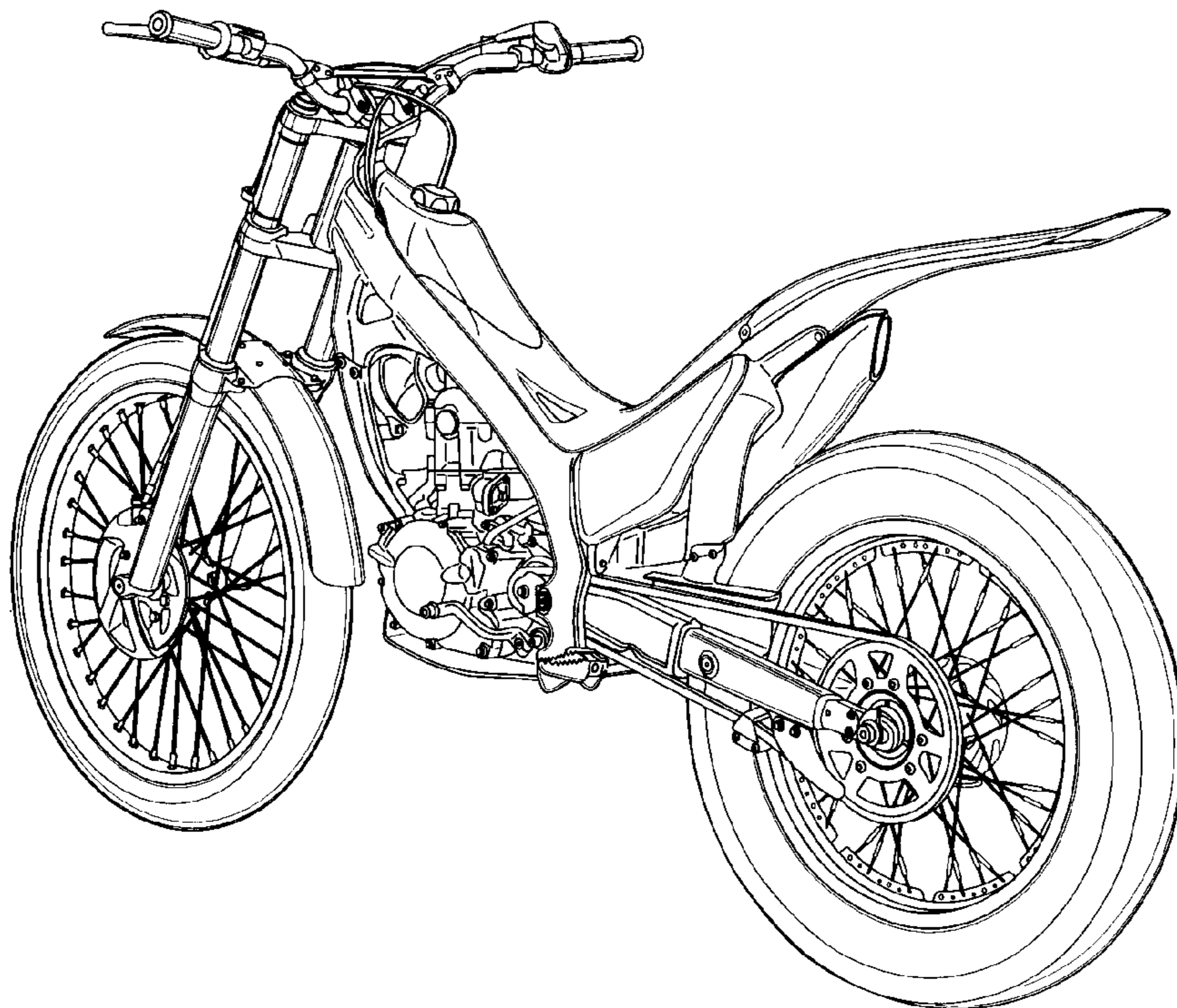


FIG.9

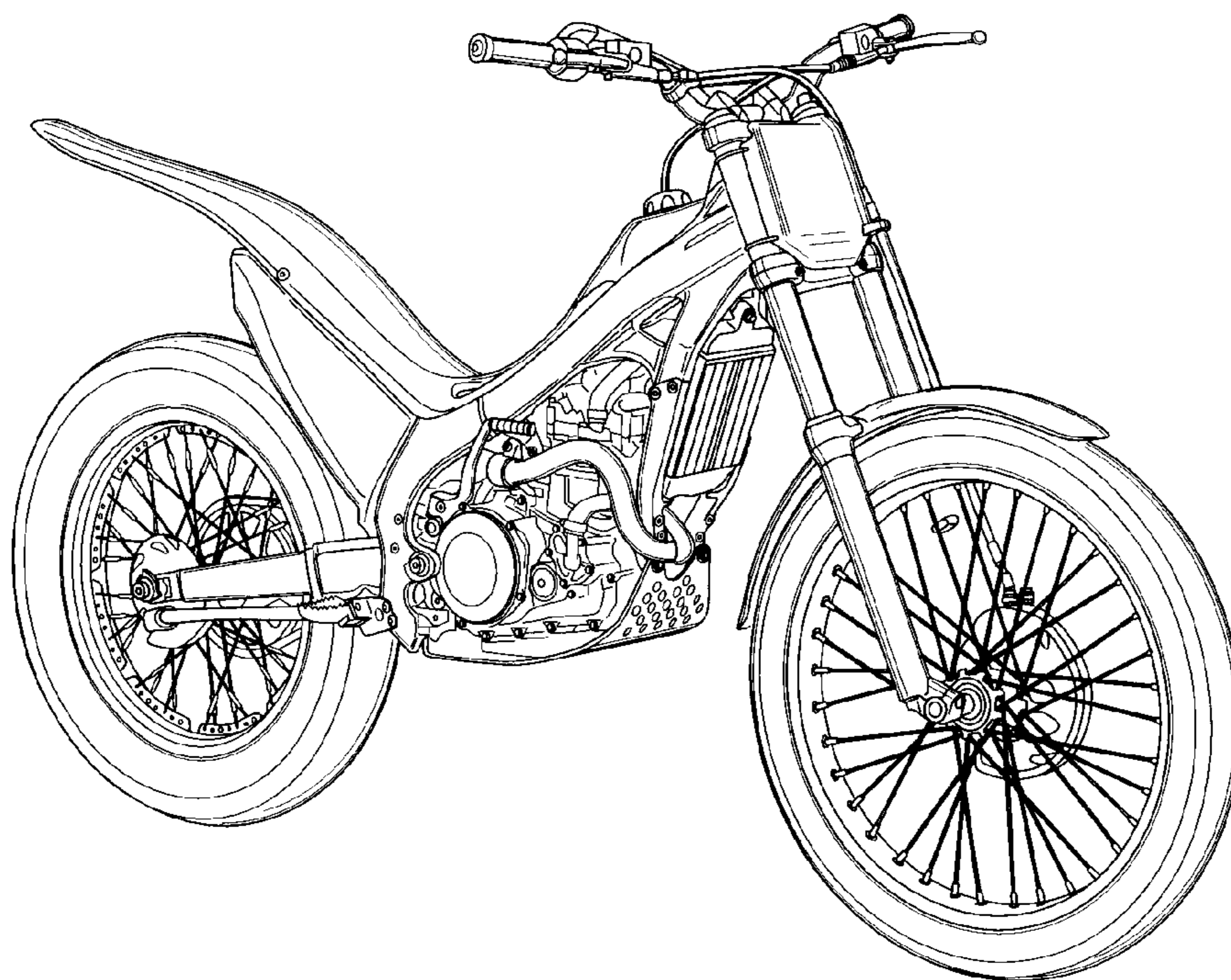


FIG.10

