

US00D526935S

(12) **United States Design Patent**
Wagner et al.

(10) **Patent No.:** **US D526,935 S**

(45) **Date of Patent:** **** Aug. 22, 2006**

(54) **AUTOMOBILE BODY**

(75) Inventors: **Lance R Wagner**, Lake Orion, MI
(US); **Michael H Nicholas**, Troy, MI
(US)

(73) Assignee: **DaimlerChrysler Corporation**, Auburn
Hills, MI (US)

(**) Term: **14 Years**

(21) Appl. No.: **29/255,071**

(22) Filed: **Mar. 3, 2006**

D490,353 S 5/2004 Gale et al.
D495,624 S 9/2004 Dolan et al.
D504,354 S * 4/2005 Fumiiri et al. D12/91
D505,359 S * 5/2005 Suzuki et al. D12/91
D515,459 S * 2/2006 Watanabe et al. D12/91

* cited by examiner

Primary Examiner—Melody N Brown

(74) *Attorney, Agent, or Firm*—Ralph E. Smith

(57) **CLAIM**

The ornamental design for an automobile body, as shown and described.

Related U.S. Application Data

(63) Continuation of application No. 29/231,994, filed on Jun. 13, 2005.

(51) **LOC (8) Cl.** **12-08**

(52) **U.S. Cl.** **D12/91**

(58) **Field of Classification Search** D12/90–92,
D12/86; D21/424, 433; 296/181.1
See application file for complete search history.

(56) **References Cited**

U.S. PATENT DOCUMENTS

D479,492 S 9/2003 Gale et al.

DESCRIPTION

FIG. 1 is a front perspective view of an automobile body showing our new design;

FIG. 2 is a side view thereof;

FIG. 3 is a front view thereof;

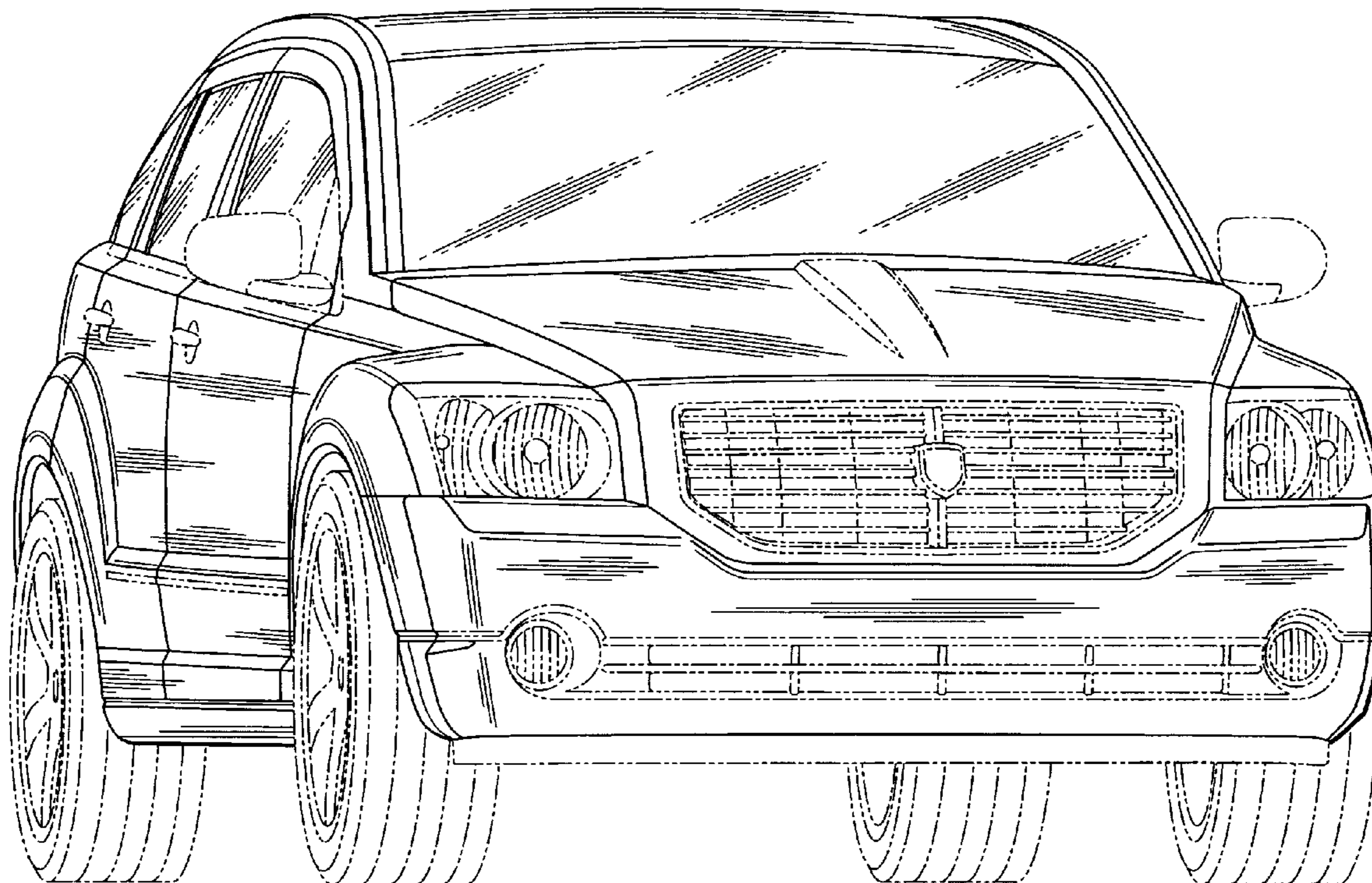
FIG. 4 is a rear view thereof;

FIG. 5 is a rear perspective view thereof; and,

FIG. 6 is a top plan view thereof.

It will be understood that the dashed lines presented in the drawings are for illustration only, and do not form a part of the claimed design.

1 Claim, 5 Drawing Sheets



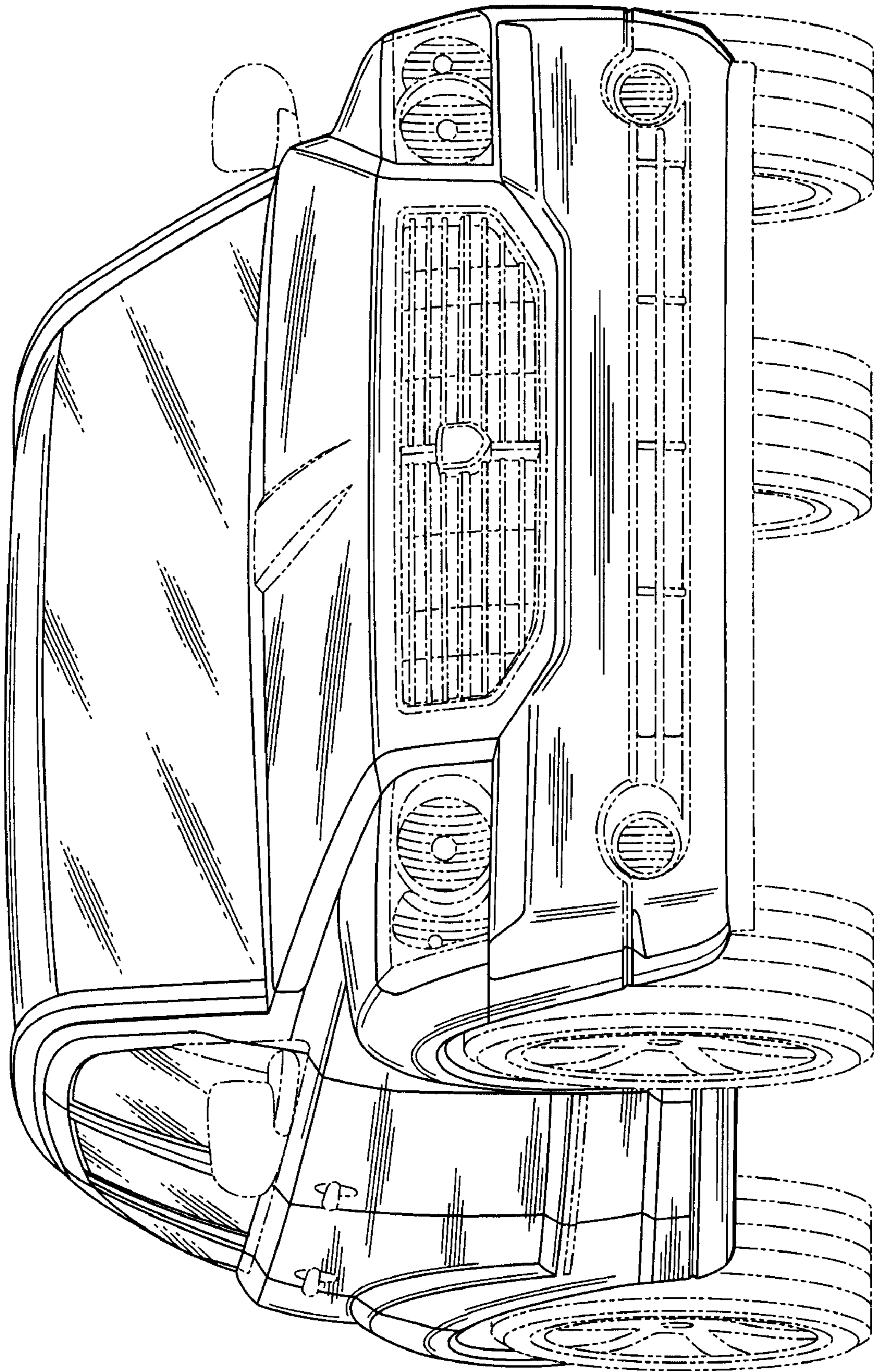


Fig. 1

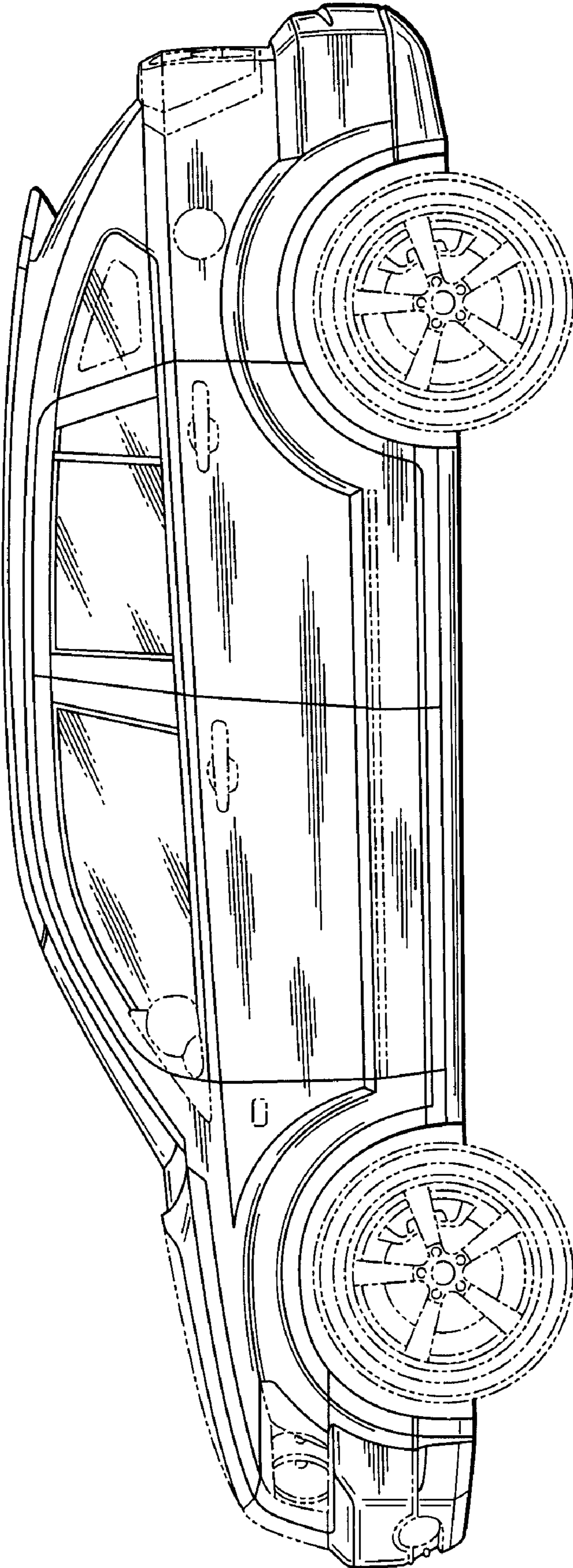


Fig. 2

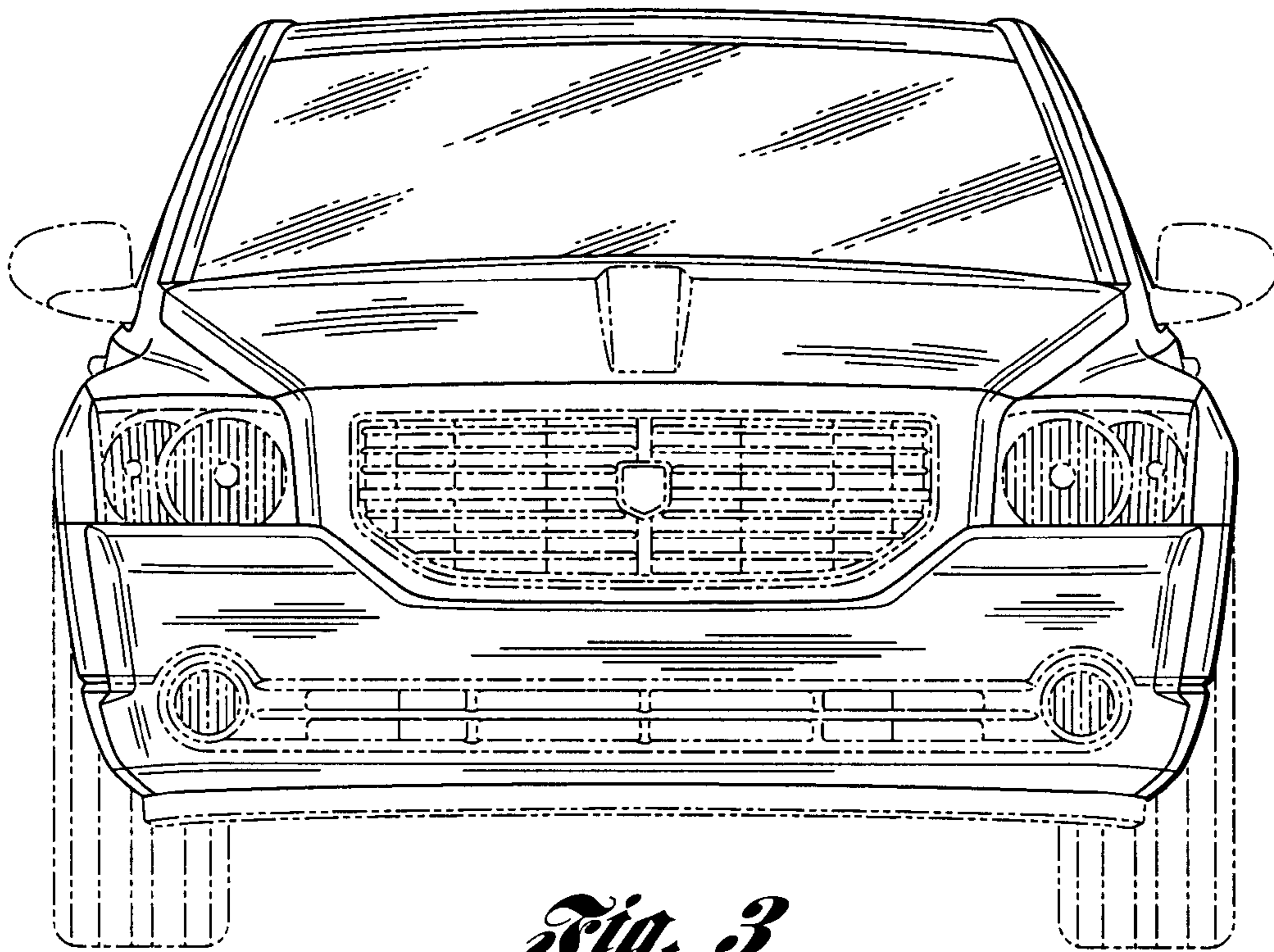


Fig. 3

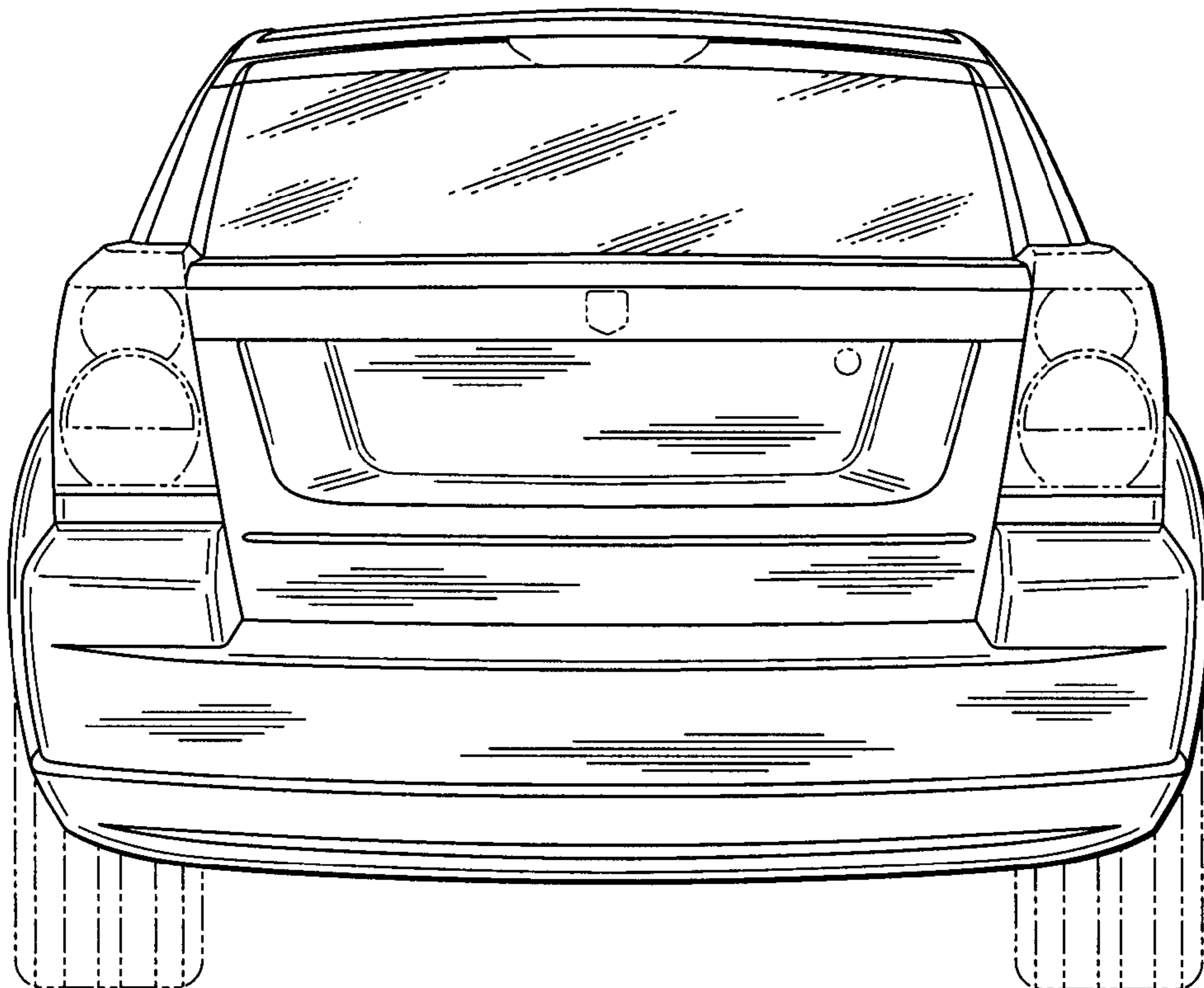


Fig. 4

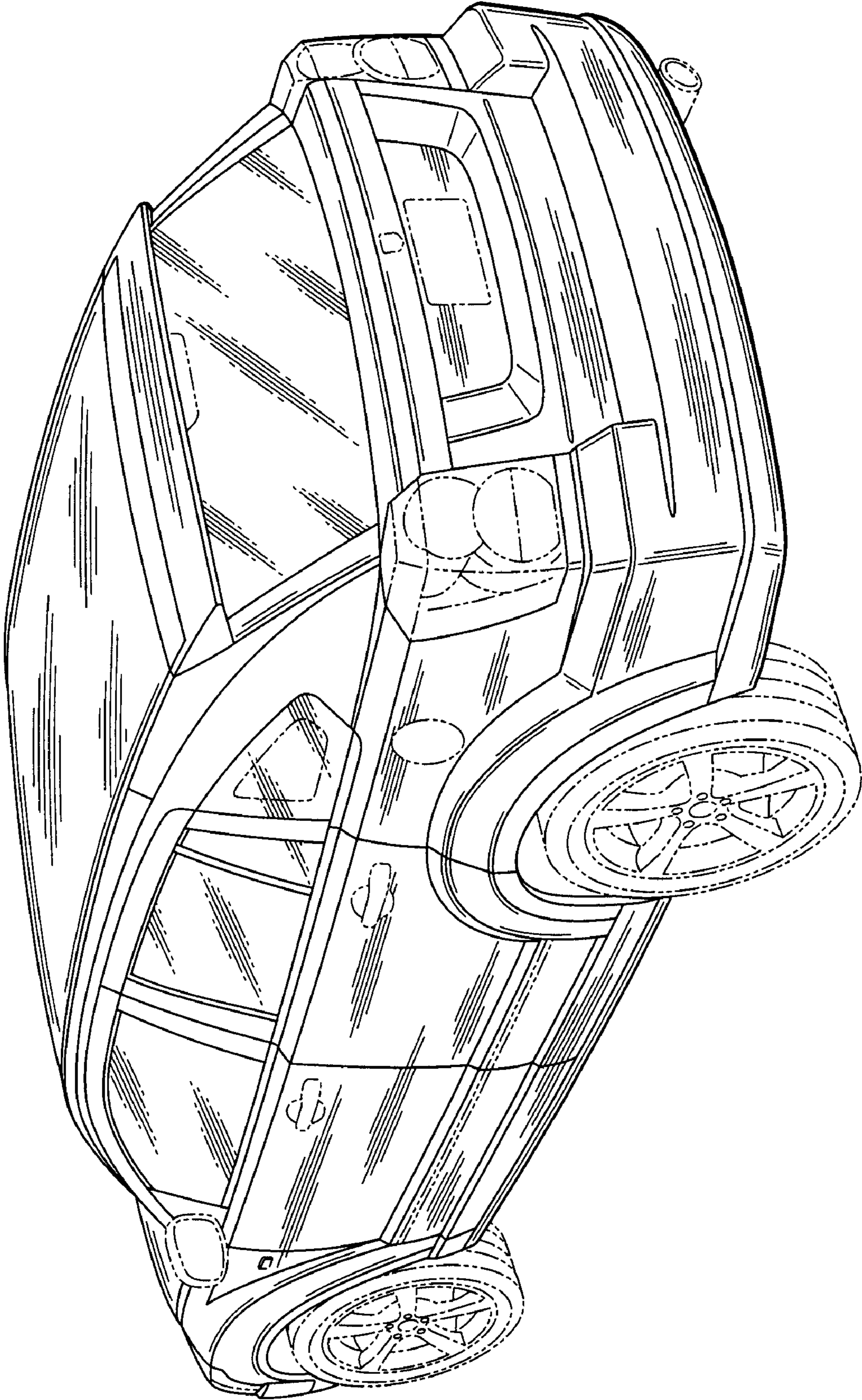


Fig. 5

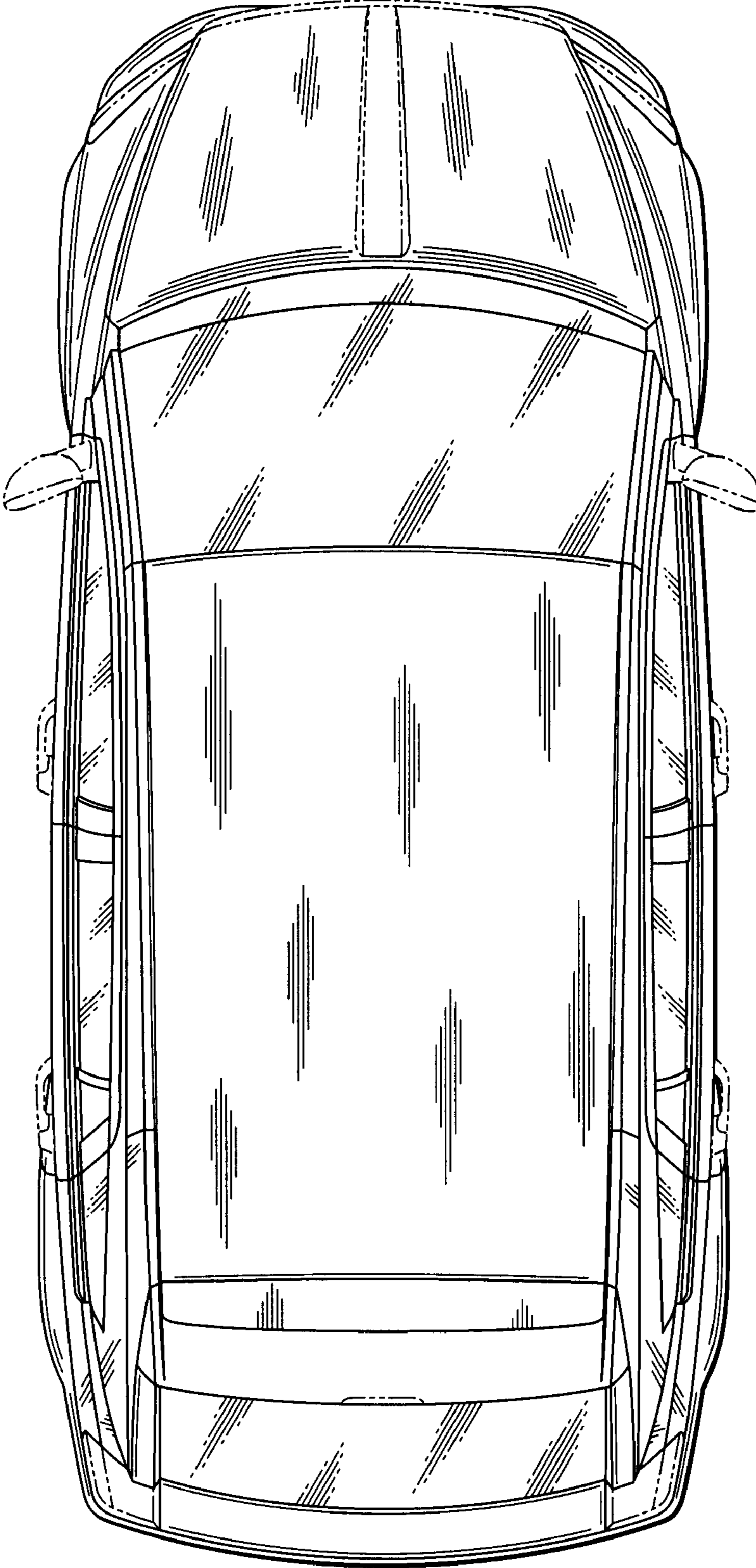


Fig. 6